

Connector Series : M8

Gender : Male

Coding : A, B

Locking Type : Fix Screw

Mounting Type: Front Fastened

Part No : M08-X\*\*-ST0-M02-BQ4-XXX

X:A, B Coding

\*\* : 03, 04, 05, 06, 08 ( Pin )

BQ4:4=M11X1.0(OD4)

XXX:050=0.5M, 100=1M,  
10M=10M...(Length)



For reference only!version1.0

### Technical Data

Standard	IEC61076-2-104
Ambient Temperatur	-25°C~ +85°C
Insulation Resistance	≥100MΩ
Contact Resistance	≤5mΩ
IP Class	IP67
Mating Endurance	>100 Mating Cycles

### Material Data

Connector Carriers	PA
Connector Contacts	Copper Alloy With Gold Plated 铜镀金

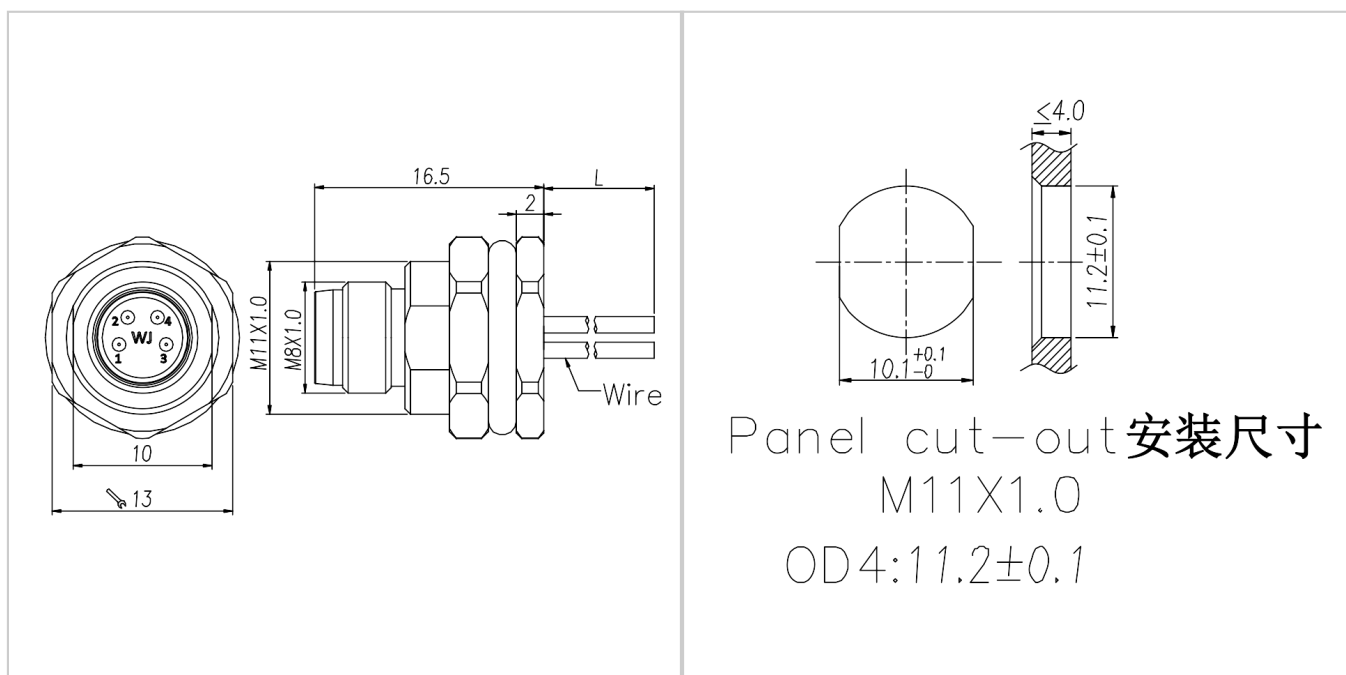
Connector Nut/Screw	Copper Alloy With Nickel Plated 铜镀镍
Seal/O-Ring	FKM 氟橡胶
Shielding	Unshielded 非屏蔽

Electrical Data & Mechanical Date

Contacts Pin	3/4Pins	5Pins	6/8Pins
Rated Current	3A	3A	1.5A
Voltage AC/DC	50V/60V	30V/30V	30V/30V
Wire Range AWG/mm <sup>2</sup>	24/0.25	24/0.25	26/0.14

Dimensions

PCB opening diagram



Specification Selection Table

# M8 Male Panel Mount, Solder Type, Front Fastened With Wires

## M8 Circular Connector

Download date : 2025-12-06



Contacts Pin数	Available Coding 防插错编码	Rated Current 额定电流	Voltage 电压		Wire Range 接线范围		Part NO. 产品编号
			AC	DC	AWG	mm <sup>2</sup>	
03Pins	 A-Coding	3A	50V	60V	24	0.25	M08-A03-ST0-M02-BQ4-XXX
04Pins	 A-Coding	3A	50V	60V	24	0.25	M08-A04-ST0-M02-BQ4-XXX
05Pins	 B-Coding	3A	30V	30V	24	0.25	M08-B05-ST0-M02-BQ4-XXX
06Pins	 A-Coding	1.5A	30V	30V	26	0.14	M08-A06-ST0-M02-BQ4-XXX
08Pins	 A-Coding	1.5A	30V	30V	26	0.14	M08-A08-ST0-M02-BQ4-XXX