

Plug-in connectors  
 Rated current: 5A  
 Rated voltage: 150V  
 Use wire diameter: 26-20AWG  
 spacing:2.5mm  
 Install: Push-in spring connection



The catalog is for reference only. The actual specifications are subject to the product engineering drawings. version 1.0

### Technical Data - UL/CUL

Use Group	B	C	D
Rated Voltage [V]	150	-	-
Rated Current [A]	5	-	-
Wire Range [AWG]	26 ~ 20		
Dielectric Voltage-Withstand	1.3KV		

### Technical Data - IEC

Overvoltage Category	III	III	II
Contamination Class	3	2	2
Rated Voltage [V]	100	160	320
Rated Current [A]	6	6	6

Impulse Withstand Voltage [KV]	1.5	2.5	2.5
Conductor Cross Section [mm <sup>2</sup> ]	0.2~0.5		

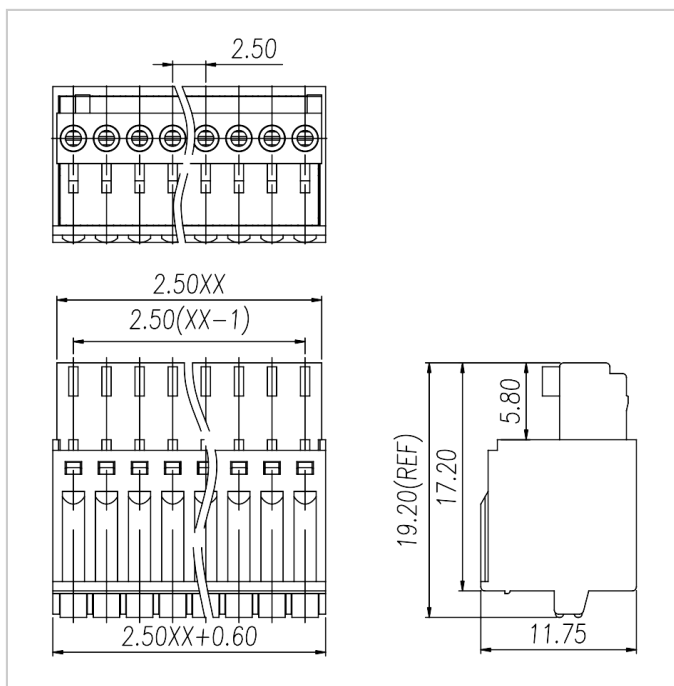
### Material

Insulation Material	PA66
Flame Retardant Rating	UL94V-0
Conductor Material	Copper alloy
Plating of Conductor Surface	Sn plated

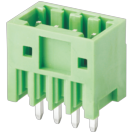
### General Parameters

Pitch / Poles [mm]/[P]	2.5/2-24
Stripping Length [mm]	7-8
Screw / Torque (Max) [N.m]	-
Operating Temperature [°C]	-40 ~ +105

### Dimensions



## Accessories



WJ15EDGVC-2.5



WJ15EDGRC-2.5



WJ15EDGVH-2.5



WJ15EDGRH-2.5