

Rated current: 60A

Rated voltage: 600V

Use wire diameter: 20-6AWG



The catalog is for reference only. The actual specifications are subject to the product engineering drawings. version 1.0

UL (1059)

| Use Group | B | C | D |
|-------------------|------|-----|-----|
| Rate Voltage [V] | 600 | 600 | 600 |
| Rated Current [A] | 60 | 60 | 5 |
| Wire Range [AWG] | 20~6 | | |

IEC (60947-7-1)

| | |
|------------------------------------------|----------|
| Rated Voltage [V] | 1000 |
| Rated Current [A] | 57 |
| Soild [mm ²] | 0.5-16.0 |
| Flexible [mm ²] | 0.5-10.0 |
| Flexible with ferrule [mm ²] | 0.5-10.0 |

| | |
|--------------------------------|-----|
| Overvoltage Category | III |
| Contamination Class | 3 |
| Impulse withstand voltage [KV] | 8 |

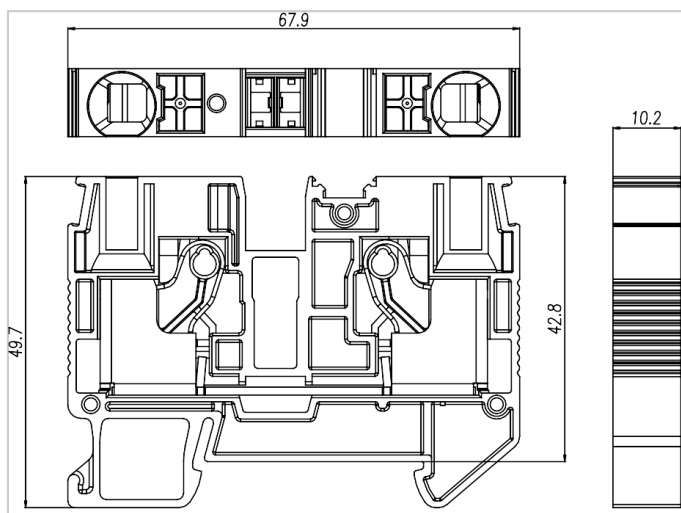
Material

| | |
|------------------------------|--------------|
| Insulation Material | PA66 |
| Flame retardant rating | UL94V-0 |
| Conductor Material | Copper alloy |
| Plating of conductor surface | Sn plated |

Other Date

| | |
|------------------------------|----------------|
| Length/Height/Thickness [mm] | 67.9/49.7/10.2 |
| Stripping Length [mm] | 18 |

Dimensions



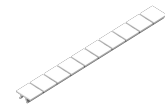
Accessories



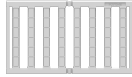
DUV10-102



FUVA10-XX



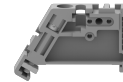
MUV10-10



PUV10-48



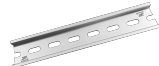
EB-35



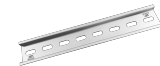
EW-35



DGL2-35x7.5A



DGL2-35x7.5B



DGL2-35x7.5C



DGL2-35x7.5D