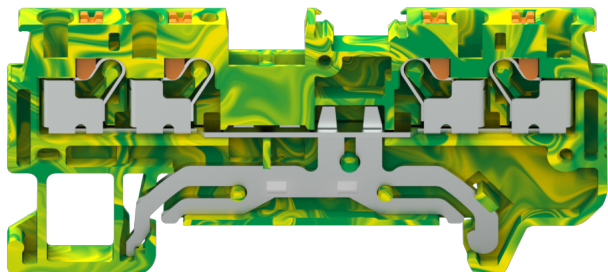


Use wire diameter: 26-14AWG



The catalog is for reference only. The actual specifications are subject to the product engineering drawings. version 1.0

UL (1059)

Use Group	B	C	D
Wire Range [AWG]		26~14	

IEC (60947-7-2)

Soild [mm ²]	0.2-1.5
Flexible [mm ²]	0.2-1.5
Flexible with ferrule [mm ²]	0.2-1.0
Overvoltage Category	III
Contamination Class	3
Impulse withstand voltage [KV]	6

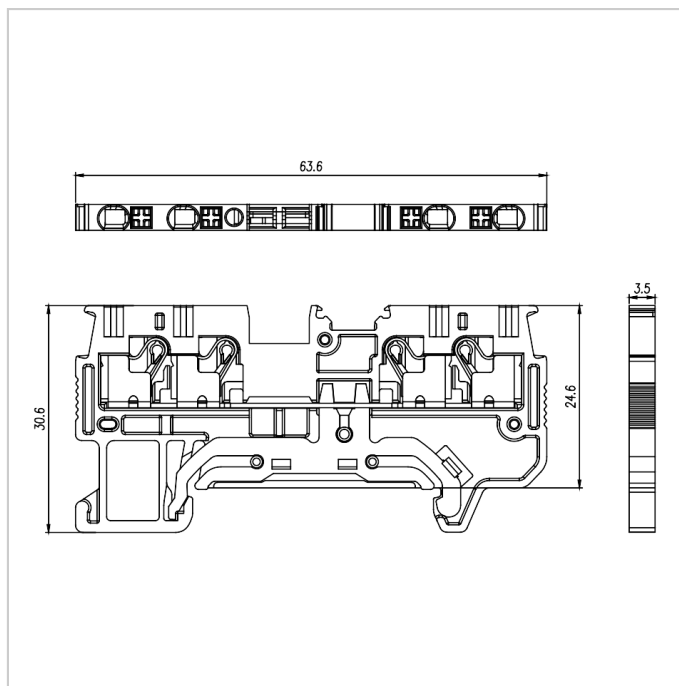
Material

Insulation Material	PA66
Flame retardant rating	UL94V-0
Conductor Material	Copper alloy
Plating of conductor surface	Sn plated

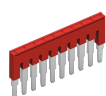
Other Date

Length/Height/Thickness [mm]	63.6/30.6/3.5
Stripping Length [mm]	8-10

Dimensions



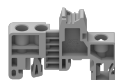
Accessories



FUVA1.5-XX



DUV1.5-104



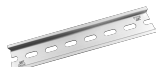
MUV1.5-10



PUV1.5-144



EB-35



EW-35



DGL2-35x7.5A



DGL2-35x7.5B

DGL2-35x7.5C

DGL2-35x7.5D