

Rated current: 20A

Rated voltage: 600V

Use wire diameter: 26-12AWG



The catalog is for reference only. The actual specifications are subject to the product engineering drawings. version 1.0

UL ( 1059 )

Use Group	B	C	D
Rate Voltage [V]	600	600	600
Rated Current [A]	20	20	5
Wire Range [AWG]	26~12		

IEC ( 60947-7-1 )

Rated Voltage [V]	800
Rated Current [A]	24
Soild [mm <sup>2</sup> ]	0.2-4.0
Flexible [mm <sup>2</sup> ]	0.2-2.5
Flexible with ferrule [mm <sup>2</sup> ]	0.2-2.5

Overvoltage Category	III
Contamination Class	3
Impulse withstand voltage [KV]	8

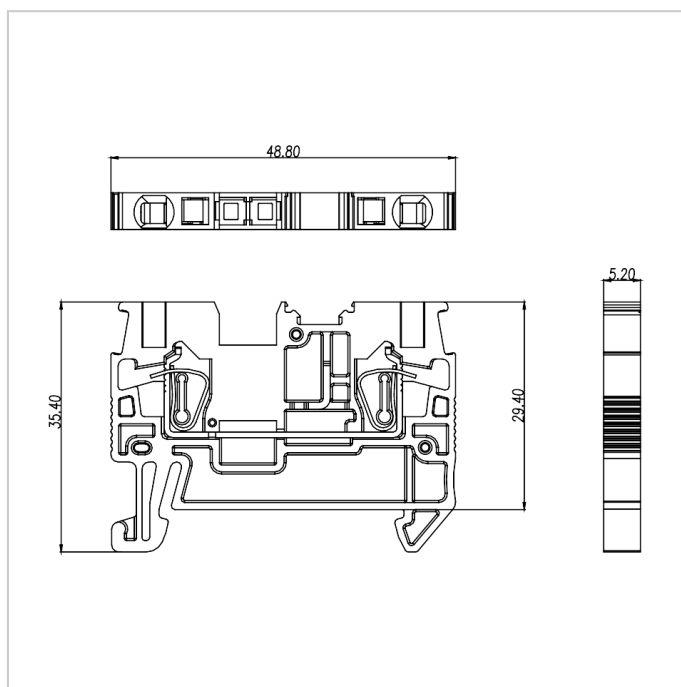
## Material

Insulation Material	PA66
Flame retardant rating	UL94V-0
Conductor Material	Copper alloy
Plating of conductor surface	Sn plated

## Other Date

Length/Height/Thickness [mm]	48.8/35.4/5.2
Stripping Length [mm]	8-10

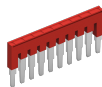
## Dimensions



## Accessories



DUV2.5-102



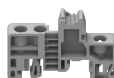
FUVA2.5-XX



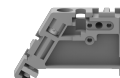
MUV2.5-10



PUV2.5-96



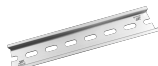
EB-35



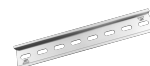
EW-35



DGL2-35x7.5A



DGL2-35x7.5B



DGL2-35x7.5C



DGL2-35x7.5D