

Rated current: 15A

Rated voltage: 300V

Use wire diameter: 26-14AWG



The catalog is for reference only. The actual specifications are subject to the product engineering drawings. version 1.0

## UL ( 1059 )

Use Group	B	C	D
Rate Voltage [V]	300	300	600
Rated Current [A]	15	15	5
Wire Range [AWG]	26 ~ 14		

## IEC ( 60947-7-1 )

Rated Voltage [V]	500
Rated Current [A]	17.5
Soild [mm <sup>2</sup> ]	0.2-1.5
Flexible [mm <sup>2</sup> ]	0.2-1.5
Flexible with ferrule [mm <sup>2</sup> ]	0.2-1.5

Overvoltage Category	III
Contamination Class	3
Impulse withstand voltage [KV]	6

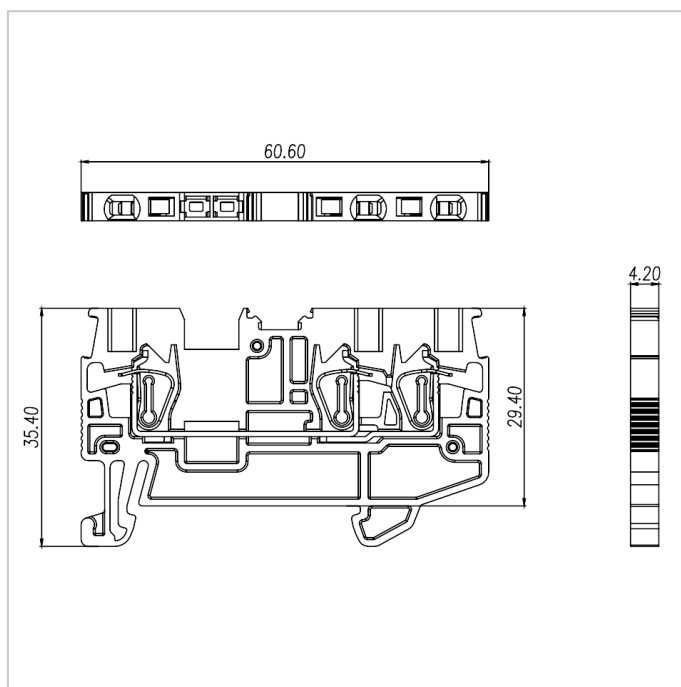
### Material

Insulation Material	PA66
Flame retardant rating	UL94V-0
Conductor Material	Copper alloy
Plating of conductor surface	Sn plated

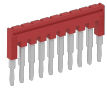
### Other Date

Length/Height/Thickness [mm]	60.6/35.4/4.2
Stripping Length [mm]	8-10

### Dimensions



### Accessories



FUSA1.5-XX



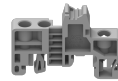
DUV2.5-103



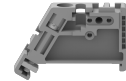
MUS1.5-10



PUS1.5-120



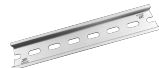
EB-35



EW-35



DGL2-35x7.5A



DGL2-35x7.5B



DGL2-35x7.5C



DGL2-35x7.5D