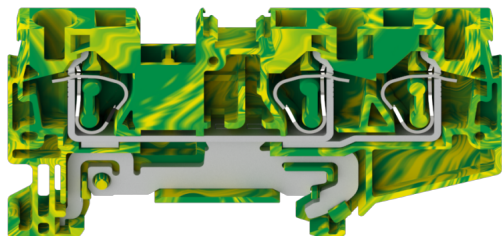


Use wire diameter: 24-10AWG



The catalog is for reference only. The actual specifications are subject to the product engineering drawings. version 1.0

UL ( 1059 )

Wire Range [AWG]	24 ~ 10
------------------	---------

IEC ( 60947-7-2 )

Soild [mm <sup>2</sup> ]	0.2-6.0
Flexible [mm <sup>2</sup> ]	0.2-4.0
Flexible with ferrule [mm <sup>2</sup> ]	0.2-4.0
Overvoltage Category	III
Contamination Class	3
Impulse withstand voltage [KV]	8

Material

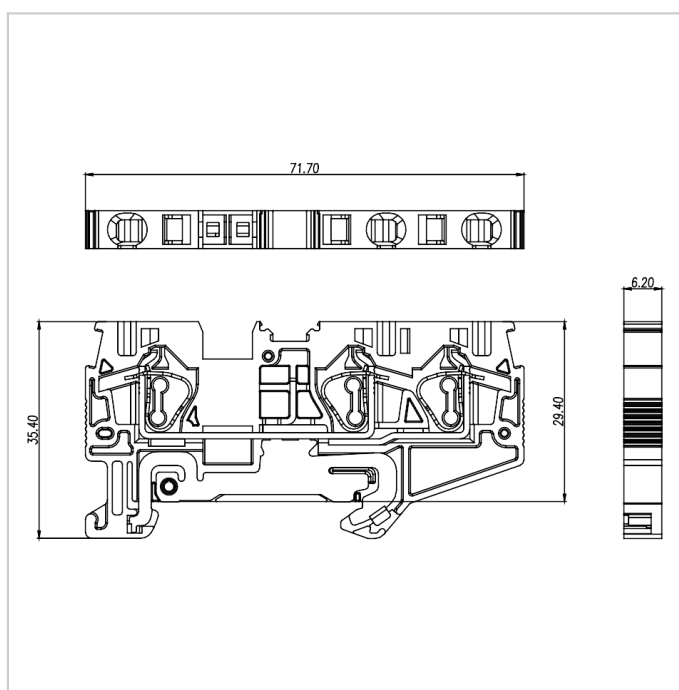
Insulation Material	PA66
---------------------	------

Flame retardant rating	UL94V-0
Conductor Material	Copper alloy
Plating of conductor surface	Sn plated

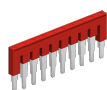
Other Date

Length/Height/Thickness [mm]	71.7/35.4/6.2
Stripping Length [mm]	8-10

Dimensions



Accessories



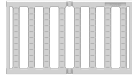
FUVA4-XX



DUS4-103



MUV4-10



PUV4-80



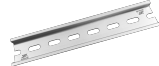
EB-35



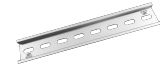
EW-35



DGL2-35x7.5A



DGL2-35x7.5B



DGL2-35x7.5C



DGL2-35x7.5D