

Rated current: 30A

Rated voltage: 600V

Use wire diameter: 26-10AWG

The catalog is for reference only. The actual specifications are subject to the product engineering drawings. version 1.0

UL (1059)

| Use Group | B | C | D |
|-------------------|---------|-----|-----|
| Rate Voltage [V] | 600 | 600 | 600 |
| Rated Current [A] | 30 | 30 | 5 |
| Wire Range [AWG] | 26 ~ 10 | | |

IEC (60947-7-1)

| | |
|--|----------|
| Rated Voltage [V] | 1000 |
| Rated Current [A] | 32 |
| Soild [mm ²] | 0.2-6.0 |
| Flexible [mm ²] | 0.2-4.0 |
| Flexible with ferrule [mm ²] | 0.25-4.0 |

| | |
|--------------------------------|-----|
| Overvoltage Category | III |
| Contamination Class | 3 |
| Impulse withstand voltage [KV] | 8 |

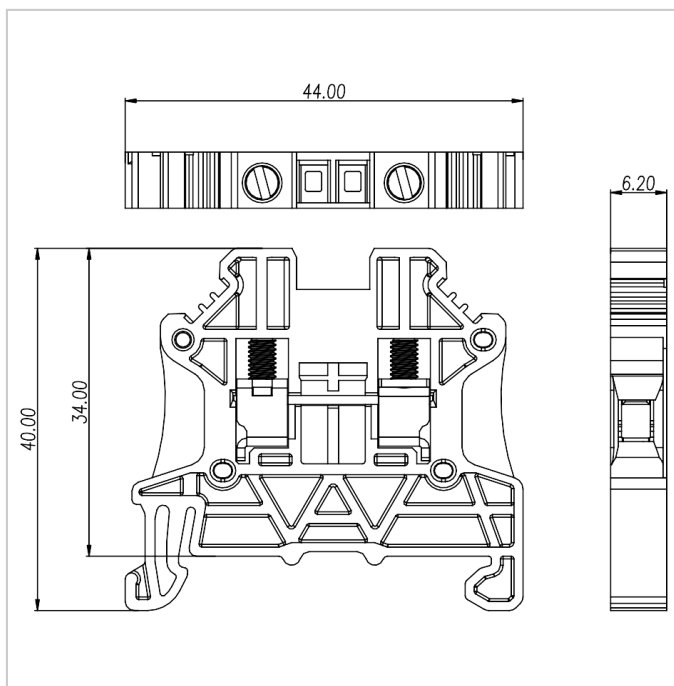
Material

| | |
|------------------------------|--------------|
| Insulation Material | PA66 |
| Flame retardant rating | UL94V-0 |
| Conductor Material | Copper alloy |
| Plating of conductor surface | Sn plated |

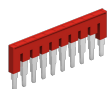
Other Date

| | |
|------------------------------|---------------|
| Length/Height/Thickness [mm] | 44.0/40.0/6.2 |
| Stripping Length [mm] | 8-9 |
| Screw/Torque [N.m] | M3/0.5-0.6 |

Dimensions



Accessories



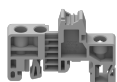
FUVA4-XX



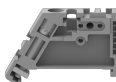
DUT2.5-102



MUV4-10



EB-35



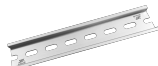
EW-35



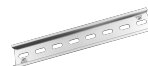
EC-35



DGL2-35x7.5A



DGL2-35x7.5B



DGL2-35x7.5C



DGL2-35x7.5D