

Rated current: 85A

Rated voltage: 600V

Use wire diameter: 16-4AWG

The catalog is for reference only. The actual specifications are subject to the product engineering drawings. version 1.0

UL (1059)

Use Group	B	C	D
Rate Voltage [V]	600	600	600
Rated Current [A]	85	85	5
Wire Range [AWG]	14-3		

IEC (60947-7-1)

Rated Voltage [V]	1000
Rated Current [A]	76
Soild [mm ²]	1.5-25.0
Flexible [mm ²]	1.5-16.0
Flexible with ferrule [mm ²]	1.5-16.0

Overvoltage Category	III
Contamination Class	3
Impulse withstand voltage [KV]	8

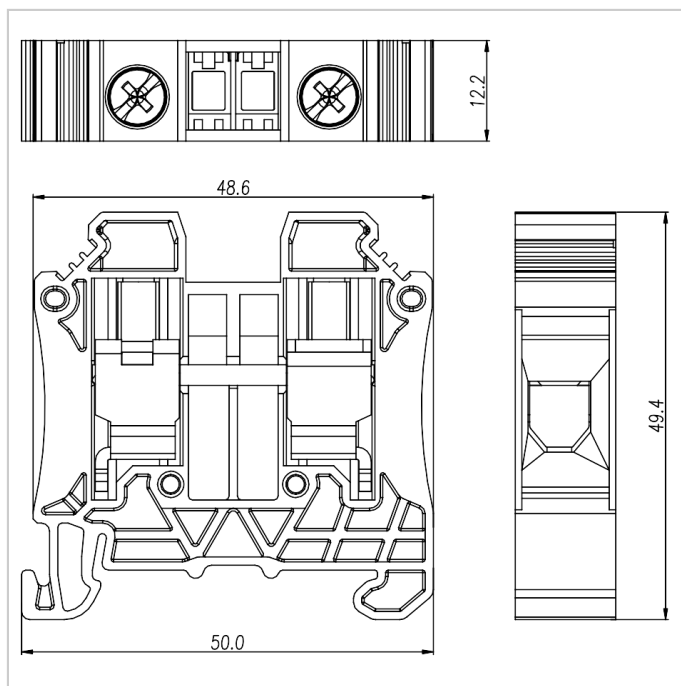
Material

Insulation Material	PA66
Flame retardant rating	UL94V-0
Conductor Material	Copper alloy
Plating of conductor surface	Sn plated

Other Data

Length/Height/Thickness [mm]	48.6/49.4/12.2
Stripping Length [mm]	12
Screw/Torque [N.m]	M5/2.0-2.5

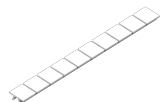
Dimensions



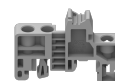
Accessories



DUT16-102



MUV10-10



EB-35



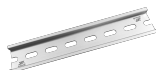
EW-35



EC-35



DGL2-35x7.5A



DGL2-35x7.5B



DGL2-35x7.5C



DGL2-35x7.5D