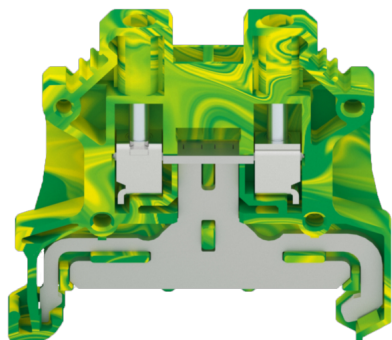


Use wire diameter: 26-12AWG



The catalog is for reference only. The actual specifications are subject to the product engineering drawings. version 1.0

UL (1059)

Wire Range [AWG]	26 ~ 12
------------------	---------

IEC (60947-7-2)

Soild [mm ²]	0.2-4.0
Flexible [mm ²]	0.2-2.5
Flexible with ferrule [mm ²]	0.25-2.5
Overvoltage Category	III
Contamination Class	3
Impulse withstand voltage [KV]	8

Material

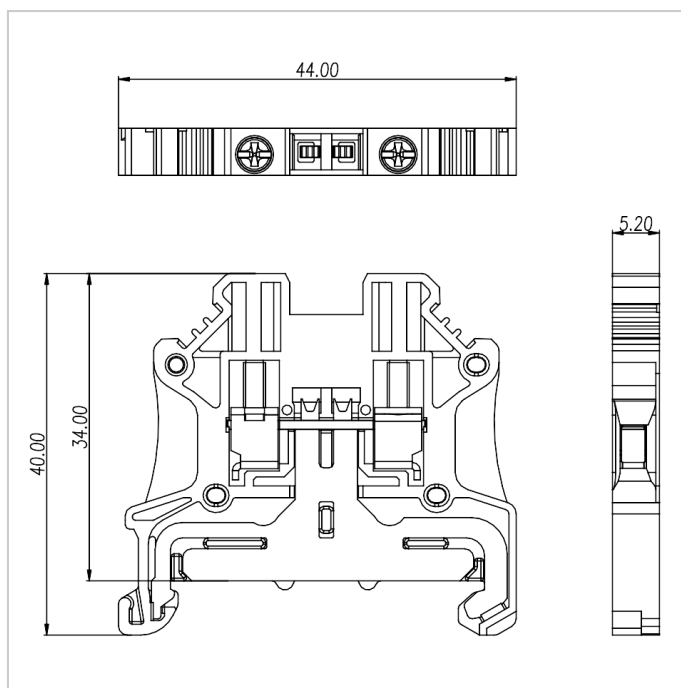
Insulation Material	PA66
---------------------	------

Flame retardant rating	UL94V-0
Conductor Material	Copper alloy
Plating of conductor surface	Sn plated

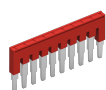
Other Date

Length/Height/Thickness [mm]	44.0/40.0/5.2
Stripping Length [mm]	8-9
Screw/Torque [N.m]	M2.5/0.4-0.5

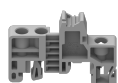
Dimensions



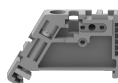
Accessories



FUVA2.5-XX



DUT2.5-102



MUV2.5-10



EB-35



EW-35



EC-35



DGL2-35x7.5A



DGL2-35x7.5B

DGL2-35x7.5C

DGL2-35x7.5D