

Use wire diameter: 24-8AWG

The catalog is for reference only. The actual specifications are subject to the product engineering drawings. version 1.0

UL (1059)

Wire Range [AWG]	24-8
------------------	------

IEC (60947-7-2)

Soild [mm ²]	0.2-10.0
Flexible [mm ²]	0.2-6.0
Flexible with ferrule [mm ²]	0.25-6.0
Overvoltage Category	III
Contamination Class	3
Impulse withstand voltage [KV]	8

Material

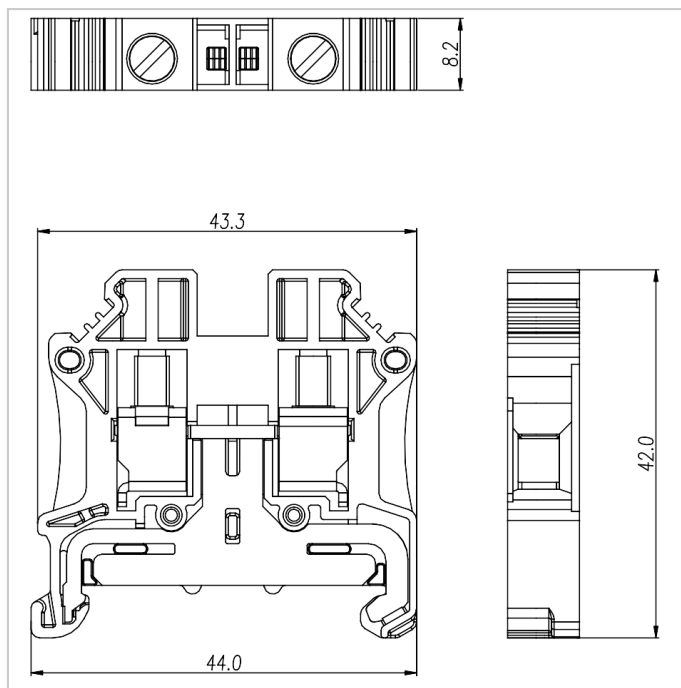
Insulation Material	PA66
---------------------	------

Flame retardant rating	UL94V-0
Conductor Material	Copper alloy
Plating of conductor surface	Sn plated

Other Data

Length/Height/Thickness [mm]	43.3/42.0/8.2
Stripping Length [mm]	10-11
Screw/Torque [N.m]	M4/1.2-1.5

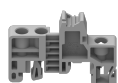
Dimensions



Accessories



FUVA6-XX



DUT10-102



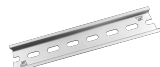
MUV6-10



EB-35



EW-35



EC-35



DGL2-35x7.5A



DGL2-35x7.5B

DGL2-35x7.5C

DGL2-35x7.5D