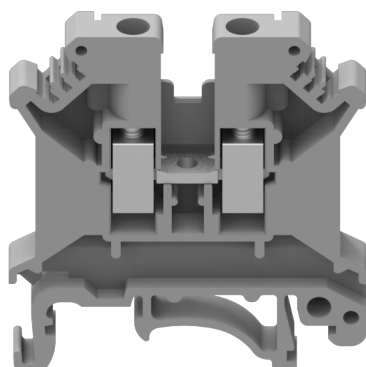


GUK5N-102

GUK Copper Alloy Cage Locking TB

Download Date:2026-07-08



Rated current: 30A

Rated voltage: 600V

Use wire diameter: 24-10AWG



The catalog is for reference only. The actual specifications are subject to the product engineering drawings. version 1.0

UL (1059)

Use Group	B	C	D
Rate Voltage [V]	600	600	600
Rated Current [A]	30	30	5
Wire Range [AWG]	24 ~ 10		

IEC (60947-7-1)

Rated Voltage [V]	800
Rated Current [A]	32
Soild [mm ²]	0.2-6.0
Flexible [mm ²]	0.2-4.0
Flexible with ferrule [mm ²]	0.25-2.5

Overvoltage Category	III
Contamination Class	3
Impulse withstand voltage [KV]	8

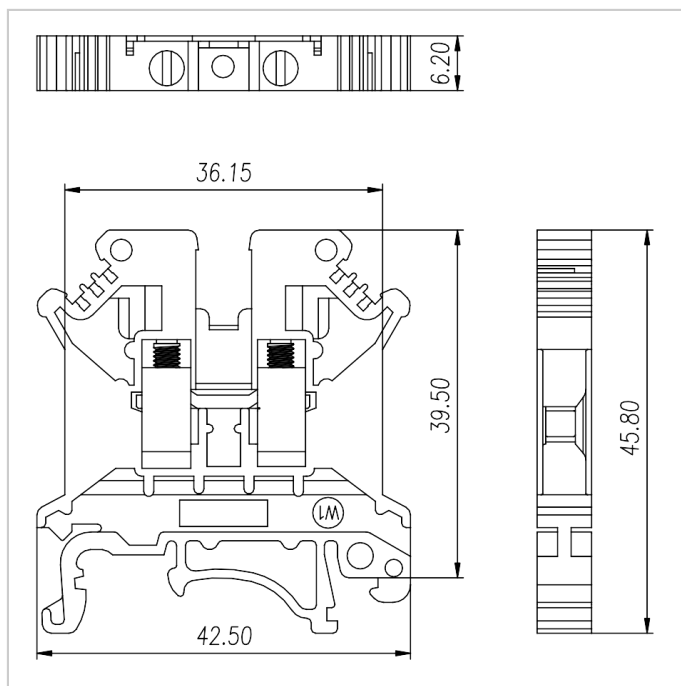
Material

Insulation Material	PA66
Flame retardant rating	UL94V-0
Conductor Material	Copper alloy
Plating of conductor surface	Sn plated

Other Data

Length/Height/Thickness [mm]	42.5/45.8/6.2
Stripping Length [mm]	8-9
Screw/Torque [N.m]	M3/0.6-0.8

Dimensions



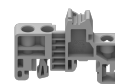
Accessories



D-GUK3/10-102



MUV4-10



EB-35



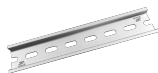
EW-35



EC-35



DGL2-35x7.5A



DGL2-35x7.5B



DGL2-35x7.5C



DGL2-35x7.5D