

Use wire diameter: 24-10AWG



The catalog is for reference only. The actual specifications are subject to the product engineering drawings. version 1.0

UL (1059)

Wire Range [AWG]	24-10
------------------	-------

IEC (60947-7-2)

Soild [mm ²]	0.2-6.0
Flexible [mm ²]	0.2-4.0
Flexible with ferrule [mm ²]	0.25-2.5
Overvoltage Category	III
Contamination Class	3

Material

Insulation Material	PA66
---------------------	------

GUSLKG5-102-PE

GUK Copper Alloy Cage Locking TB

Download Date:2026-07-08

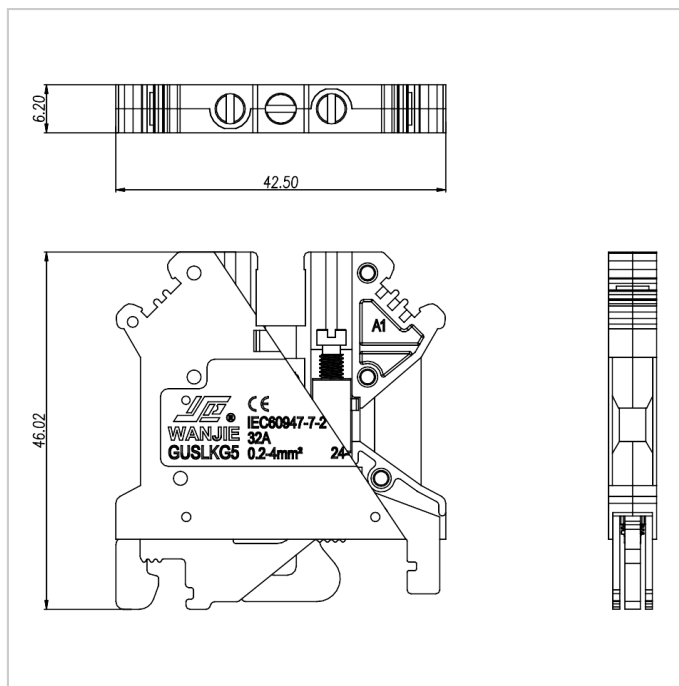


Flame retardant rating	UL94V-0
Conductor Material	Copper alloy
Plating of conductor surface	Ni plated

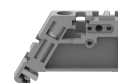
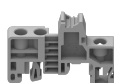
Other Date

Length/Height/Thickness [mm]	42.5/46.02/6.2
Stripping Length [mm]	8
Screw/Torque [N.m]	M3/0.6-0.8

Dimensions



Accessories



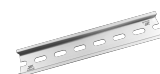
MUV4-10



EB-35



EW-35



EC-35



DGL2-35x7.5A



DGL2-35x7.5B

DGL2-35x7.5C

DGL2-35x7.5D