



M5 Female Panel Mount, Solder Type, Front Fastened With Wires

Rated current: 1A

Rated voltage: 60V



The catalog is for reference only. The actual specifications are subject to the product engineering drawings. version 1.0

Connector Series: M5

|               |                         |
|---------------|-------------------------|
| Gender        | Female                  |
| Coding        | A                       |
| Locking Type  | Fix Screw               |
| Mounting Type | Front Fastened          |
| Part No       | M05-A**-ST0-F02-BQ2-XXX |

Technical Data

|                       |                |
|-----------------------|----------------|
| Standard              | IEC61076-2-105 |
| Ambient Temperatur    | -25°C~+85°C    |
| Insulation Resistance | ≥100MΩ         |
| Contact Resistance    | ≤5mΩ           |

|                  |                    |
|------------------|--------------------|
| IP Class         | IP67               |
| Mating Endurance | >100 Mating Cycles |

Material Data

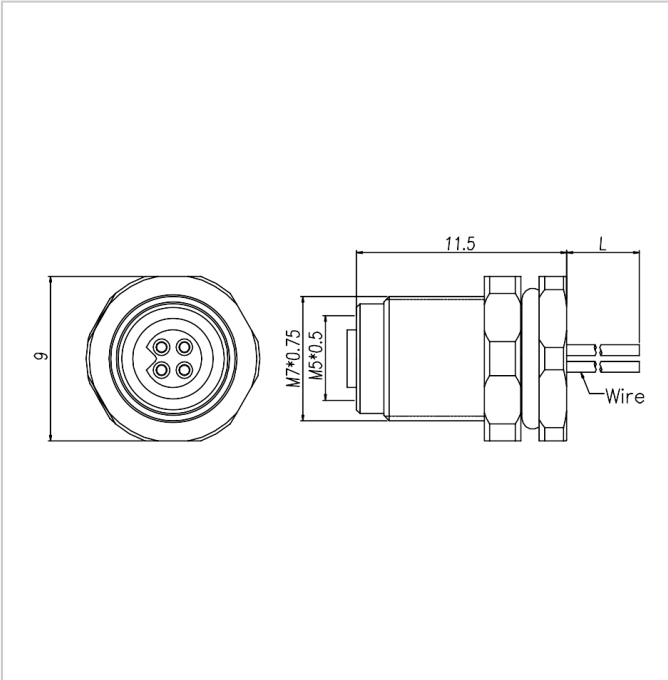
|                     |                                 |
|---------------------|---------------------------------|
| Connector Carriers  | PA                              |
| Connector Contacts  | Copper Alloy With Gold Plated   |
| Connector Nut/Screw | Copper Alloy With Nickel Plated |
| Shielding           | Unshielded                      |
| Seal/O-Ring         | FKM                             |

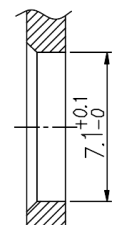
Electrical Data & Mechanical Date

|                      |         |         |
|----------------------|---------|---------|
| Contacts Pin [Pins]  | 3       | 4       |
| Rated Current [A]    | 1       | 1       |
| Voltage AC/DC [V]    | 60/60   | 60/60   |
| Wire Range [AWG/mm²] | 26/0.14 | 26/0.14 |

Dimensions

PCB hole diagram





Panel cut-out 安装尺寸  
M7X0.75  
OD1:  $7.1 \pm 0.1$

## Accessories



M05-A\*\*-ST0-M02-BC\*-XXX



M05-A\*\*-RA0-M02-BC\*-XXX