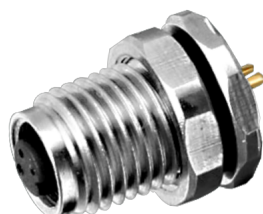


# M05-A\*\*-ST0-F02-BQ2

M5 Circular Connector

Download Date:2026-07-07



M5 Female Panel Mount, Solder Type, Front Fastened

Rated current: 1A

Rated voltage: 60V



The catalog is for reference only. The actual specifications are subject to the product engineering drawings. version 1.0

## Connector Series: M5

Gender	Female
Coding	A
Locking Type	Fix Screw
Mounting Type	Front Fastened
Part No	M05-A**-ST0-F02-BQ2

## Technical Data

Standard	IEC61076-2-105
Ambient Temperatur	-25°C~ +85°C
Insulation Resistance	≥100MΩ
Contact Resistance	≤5mΩ

IP Class	IP67
Mating Endurance	>100 Mating Cycles

### Material Data

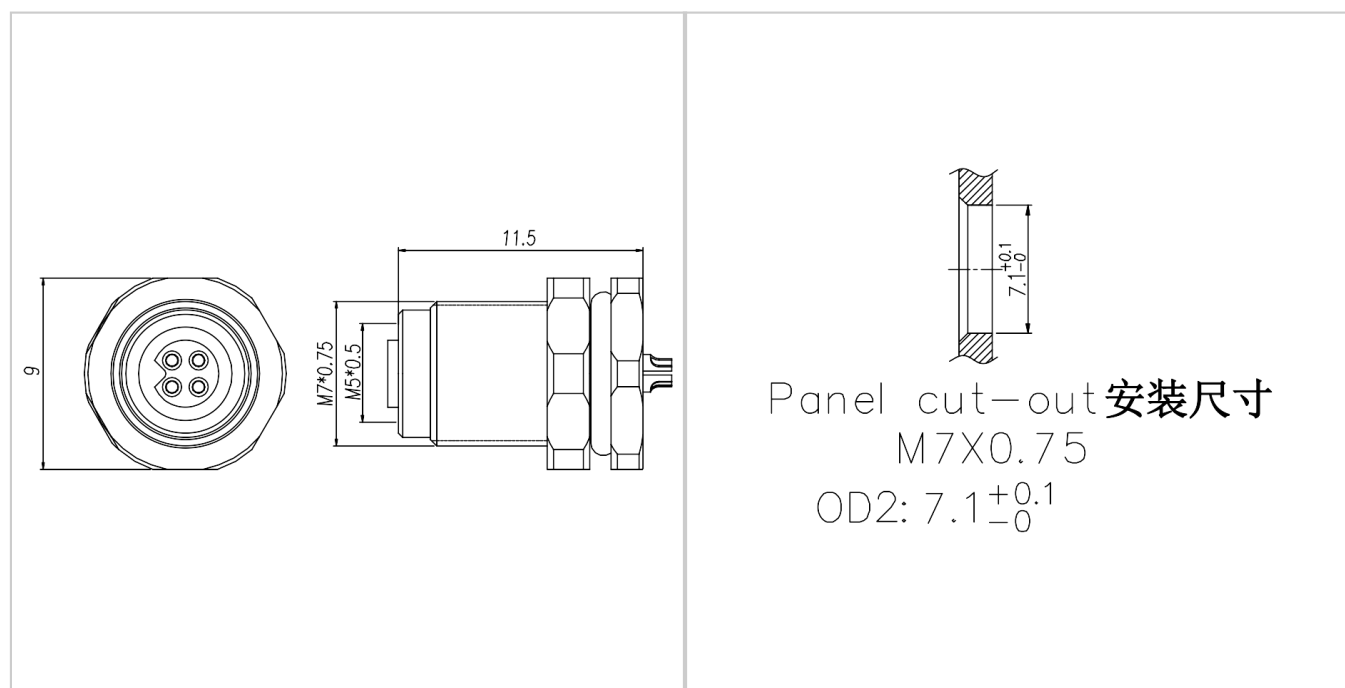
Connector Carriers	PA
Connector Contacts	Copper Alloy With Gold Plated
Connector Nut/Screw	Copper Alloy With Nickel Plated
Shielding	Unshielded
Seal/O-Ring	FKM

### Electrical Data & Mechanical Date

Contacts Pin [Pins]	3	4
Rated Current [A]	1	1
Voltage AC/DC [V]	60/60	60/60
Wire Range [AWG/mm <sup>2</sup> ]	26/0.14	26/0.14

### Dimensions

### PCB hole diagram



## Accessories



M05-A\*\*-ST0-M02-BC\*-XXX



M05-A\*\*-RA0-M02-BC\*-XXX