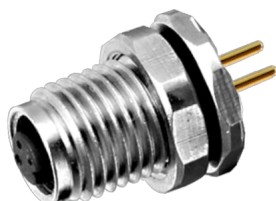


M05-A**-ST0-F01-BQ2

M5 Circular Connector

Download Date:2026-07-07



M5 Male Panel Mount, Solder Type, Front Fastened

Rated current: 1A

Rated voltage: 60V



The catalog is for reference only. The actual specifications are subject to the product engineering drawings. version 1.0

Connector Series: M5

Gender	Female
Coding	A
Locking Type	Fix Screw
Mounting Type	Front Fastened
Part No	M05-A**-ST0-F01-BQ2

Technical Data

Standard	IEC61076-2-105
Ambient Temperatur	-25°C~ +85°C
Insulation Resistance	≥100MΩ
Contact Resistance	≤5mΩ

IP Class	IP67
Mating Endurance	>100 Mating Cycles

Material Data

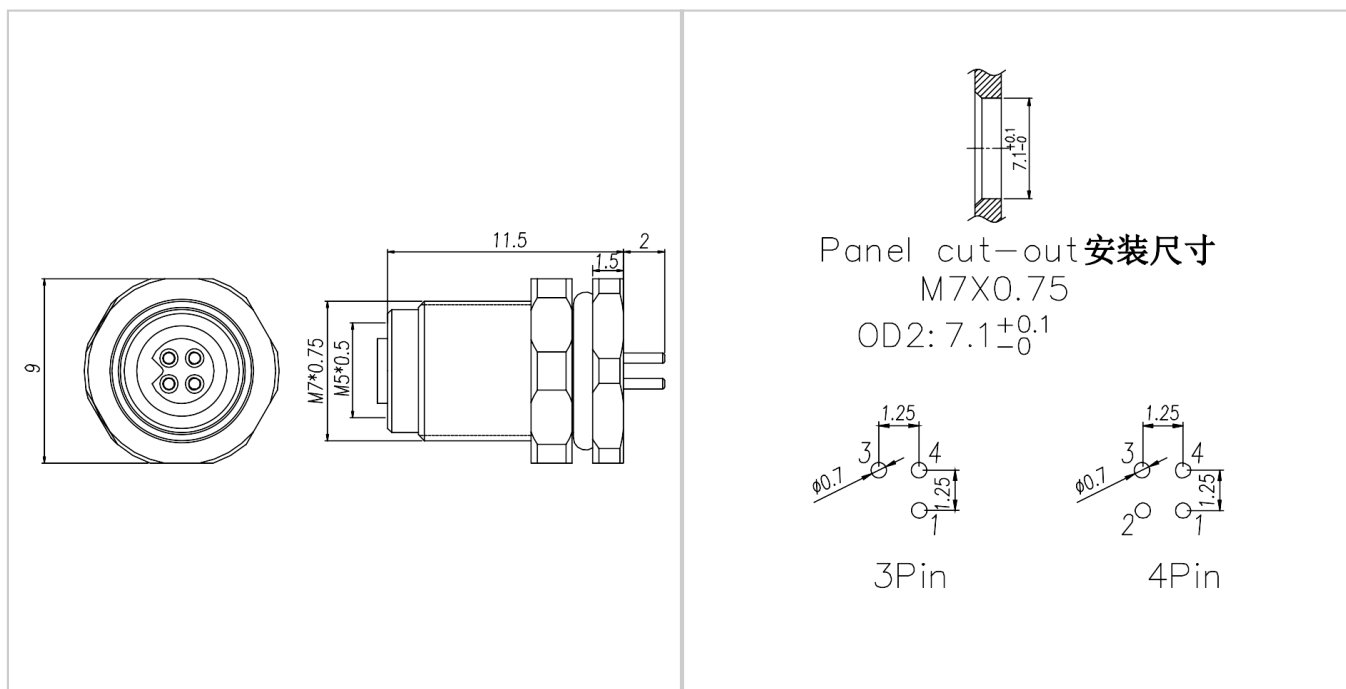
Connector Carriers	PA
Connector Contacts	Copper Alloy With Gold Plated
Connector Nut/Screw	Copper Alloy With Nickel Plated
Shielding	Unshielded
Seal/O-Ring	FKM

Electrical Data & Mechanical Date

Contacts Pin [Pins]	3	4
Rated Current [A]	1	1
Voltage AC/DC [V]	60/60	60/60
Contacts Termination	PCB Version	

Dimensions

PCB hole diagram



Accessories



M05-A**-ST0-M02-BC*-XXX



M05-A**-RA0-M02-BC*-XXX