

M8 Male Molded Cables, Angled



The catalog is for reference only. The actual specifications are subject to the product engineering drawings. version 1.0

Connector Series: M8

Gender	Male
Coding	A , B
Locking Type	Fix Screw
Mounting Type	Angled
Part No	M08-A**-RA0-M02-BC*-XXX

Technical Data

Standard	IEC61076-2-104
Ambient Temperatur	-25°C~ +80°C
Insulation Resistance	$\geq 100M\Omega$
Contact Resistance	$\leq 5m\Omega$

IP Class	IP67
Mating Endurance	>100 Mating Cycles

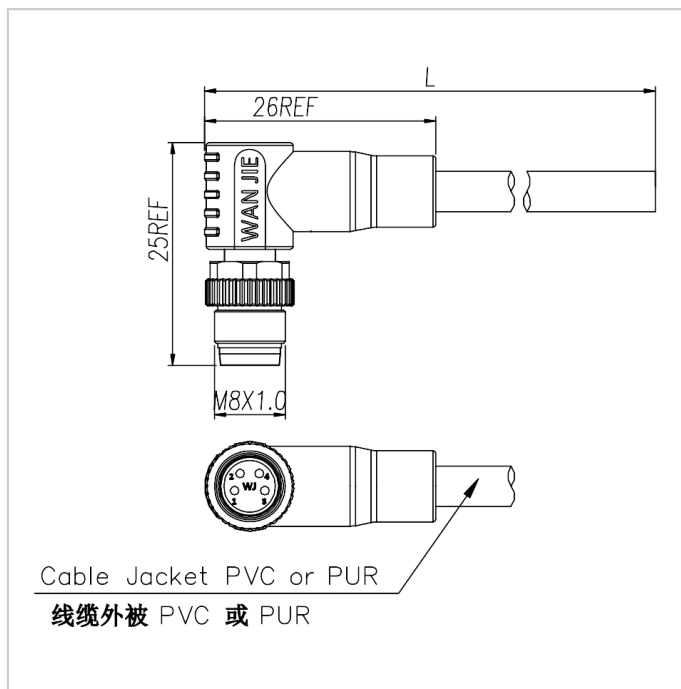
Material Data

Connector Carriers	PA
Connector Contacts	Copper Alloy With Gold Plated
Connector Nut/Screw	Copper Alloy With Nickel Plated
Shielding	Shielded /Unshielded
Connector Overmold	TPU

Electrical Data & Mechanical Date

Contacts Pin [Pins]	3	4	5	6	8
Rated Current [A]	3	3	3	1.5	1.5
Voltage AC/DC [V]	50/60	50/60	30/30	30/30	30/30
Wire Range [AWG/mm ²]	24/0.25	24/0.25	24/0.25	26/0.14	26/0.14
Cable Jacket	PUR/PVC				

Dimensions



Accessories



M08-X**-ST0-F02-BC*-XXX



M08-X**-RA0-F02-BC*-XXX



M08-X**-ST0-F02-BV*-XXX



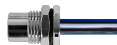
M08-X**-ST0-F02-BFM



M08-X**-ST0-F02-BQ3-XXX



M08-X**-ST0-F02-BH2-XXX



M08-X**-ST0-F02-BQ4-XXX



M08-X**-ST0-F02-BQ3



M08-X**-ST0-F02-BH2



M08-X**-ST0-F02-BQ4



M08-X**-ST0-F01-BQ3



M08-X**-ST0-F01-BH2



M08-X**-ST0-F01-BQ4



M08-X**-ST1-F01-BQ3



M08-X**-RA1-F01-BQ3

M08-X**-ST0-F04-PS1

M08-X**-ST2-F04-ZS1