

M8 Male Panel Mount, Solder Type, Front Fastened With Wires



The catalog is for reference only. The actual specifications are subject to the product engineering drawings. version 1.0

Connector Series: M8

| | |
|---------------|-------------------------|
| Gender | Male |
| Coding | A , B |
| Locking Type | Fix Screw |
| Mounting Type | Front Fastened |
| Part No | M08-A**-ST0-M02-BQ1-XXX |

Technical Data

| | |
|-----------------------|----------------|
| Standard | IEC61076-2-104 |
| Ambient Temperatur | -25°C~ +85°C |
| Insulation Resistance | ≥100MΩ |
| Contact Resistance | ≤5mΩ |

| | |
|------------------|--------------------|
| IP Class | IP67 |
| Mating Endurance | >100 Mating Cycles |

Material Data

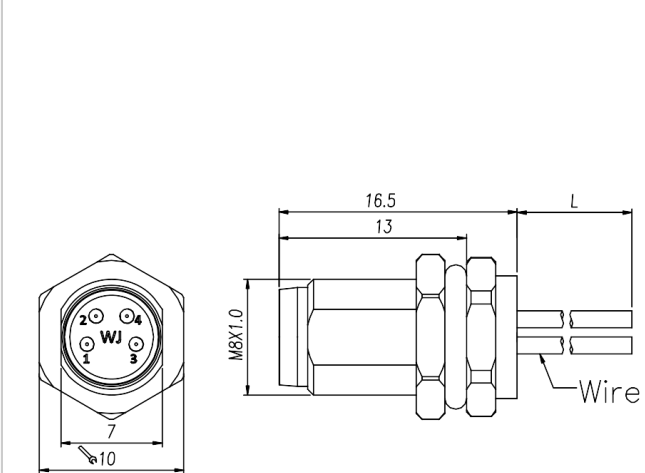
| | |
|---------------------|---------------------------------|
| Connector Carriers | PA |
| Connector Contacts | Copper Alloy With Gold Plated |
| Connector Nut/Screw | Copper Alloy With Nickel Plated |
| Shielding | Unshielded |
| Seal/O-Ring | FKM |

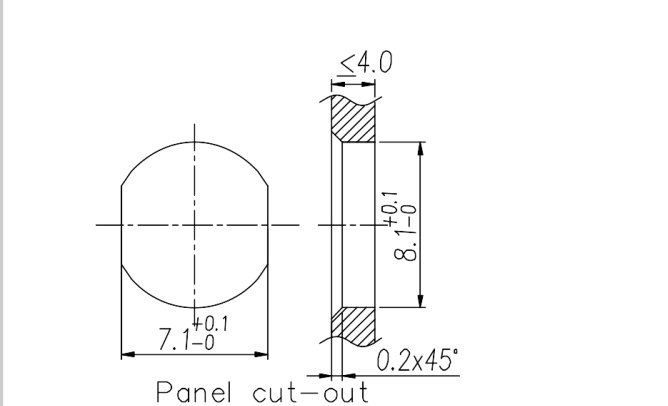
Electrical Data & Mechanical Date

| | | | | | |
|-----------------------------------|---------|---------|---------|---------|---------|
| Contacts Pin [Pins] | 3 | 4 | 5 | 6 | 8 |
| Rated Current [A] | 3 | 3 | 3 | 1.5 | 1.5 |
| Voltage AC/DC [V] | 50/60 | 50/60 | 30/30 | 30/30 | 30/30 |
| Wire Range [AWG/mm ²] | 24/0.25 | 24/0.25 | 24/0.25 | 26/0.14 | 26/0.14 |

Dimensions

PCB hole diagram





Panel cut-out 安装尺寸

M8X1.0

OD1: 8.1^{+0.1}₋₀

Accessories



M08-X**-ST0-F02-BC*-XXX



M08-X**-RA0-F02-BC*-XXX



M08-X**-ST0-F02-BV*-XXX



M08-X**-ST0-F02-BFM



M08-X**-ST0-F04-PS1



M08-X**-ST2-F04-ZS1