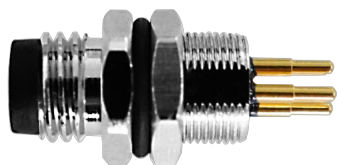


M8 Male Panel Mount, PCB Type, Rear Fastened



The catalog is for reference only. The actual specifications are subject to the product engineering drawings. version 1.0

Connector Series: M8

Gender	Male
Coding	A , B
Locking Type	Fix Screw
Mounting Type	Rear Fastened
Part No	M08-X**-ST0-M01-BH2

Technical Data

Standard	IEC61076-2-104
Ambient Temperatur	-25°C~ +85°C
Insulation Resistance	≥100MΩ
Contact Resistance	≤5mΩ

IP Class	IP67
Mating Endurance	>100 Mating Cycles

Material Data

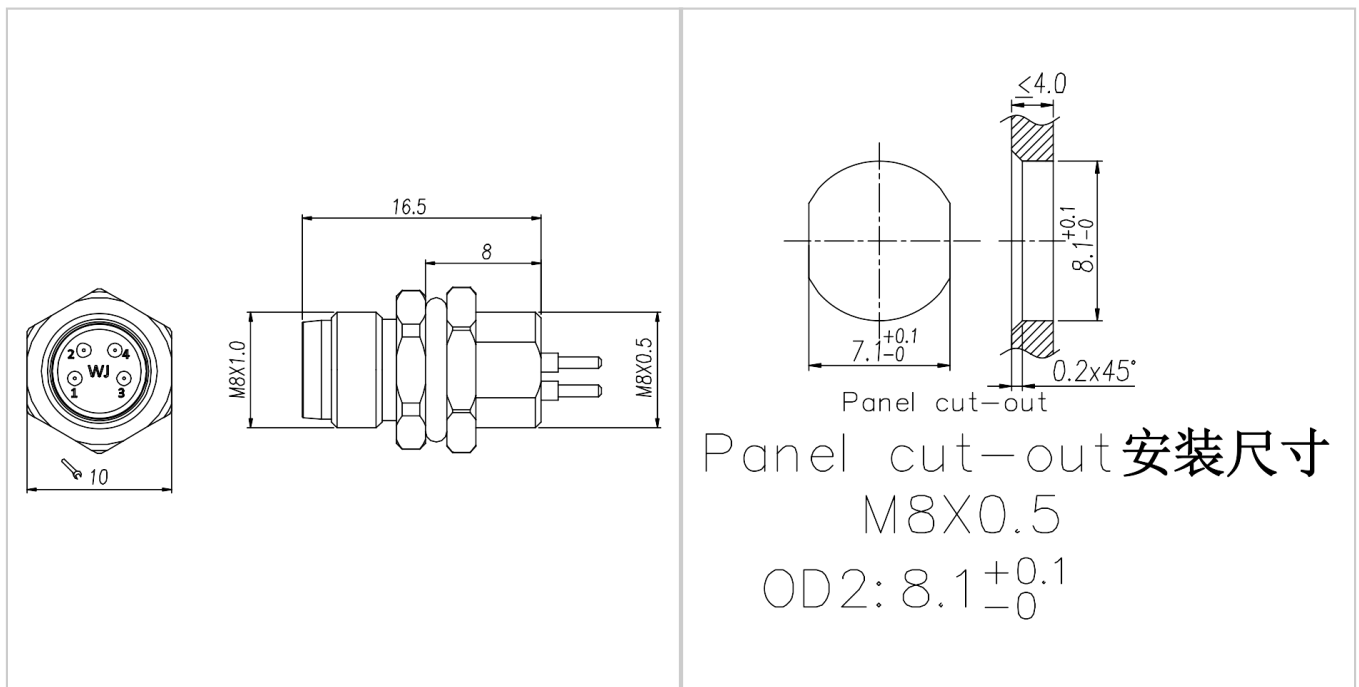
Connector Carriers	PA
Connector Contacts	Copper Alloy With Gold Plated
Connector Nut/Screw	Copper Alloy With Nickel Plated
Shielding	Unshielded
Seal/O-Ring	FKM

Electrical Data & Mechanical Date

Contacts Pin [Pins]	3	4	5	6	8
Rated Current [A]	3	3	3	1.5	1.5
Voltage AC/DC [V]	50/60	50/60	30/30	30/30	30/30
Contacts Termination	PCB Version				

Dimensions

PCB hole diagram



Accessories



M08-X**-ST0-F02-BC*-XXX



M08-X**-RA0-F02-BC*-XXX



M08-X**-ST0-F02-BV*-XXX



M08-X**-ST0-F02-BFM



M08-X**-ST0-F04-PS1



M08-X**-ST2-F04-ZS1