

M8 Female Panel Mount, PCB Type, Rear Fastened



The catalog is for reference only. The actual specifications are subject to the product engineering drawings. version 1.0

### Connector Series: M8

Gender	Female
Coding	A , B
Locking Type	Fix Screw
Mounting Type	Rear Fastened
Part No	M08-X**-ST0-F01-BH2

### Technical Data

Standard	IEC61076-2-104
Ambient Temperatur	-25°C~ +85°C
Insulation Resistance	≥100MΩ
Contact Resistance	≤5mΩ

IP Class	IP67
Mating Endurance	>100 Mating Cycles

Material Data

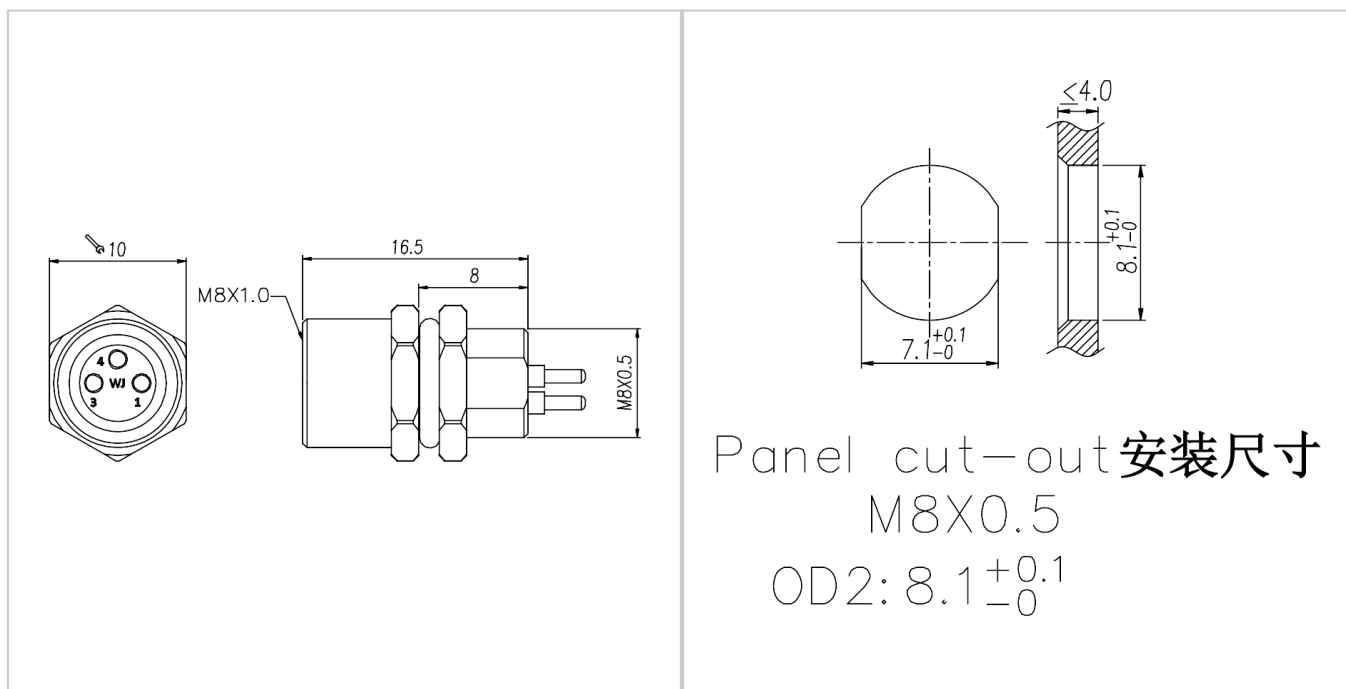
Connector Carriers	PA
Connector Contacts	Copper Alloy With Gold Plated
Connector Nut/Screw	Copper Alloy With Nickel Plated
Shielding	Unshielded
Seal/O-Ring	FKM

Electrical Data & Mechanical Date

Contacts Pin [Pins]	3	4	5	6	8
Rated Current [A]	3	3	3	1.5	1.5
Voltage AC/DC [V]	50/60	50/60	30/30	30/30	30/30
Contacts Termination	PCB Version				

Dimensions

PCB hole diagram



Panel cut-out 安装尺寸  
M8X0.5  
OD2:  $8.1^{+0.1}_{-0}$