

M8 Male Straight Field Assemble, Terminal  
Locking Screw Type, Shielded



The catalog is for reference only. The actual  
specifications are subject to the product  
engineering drawings. version 1.0

### Connector Series: M8

Gender	Male
Coding	A
Locking Type	Fix Screw
Mounting Type	Field Assemble
Part No	M08-X**-ST2-M04-ZS1

### Technical Data

Standard	IEC61076
Ambient Temperatur	-25°C~+105°C
Insulation Resistance	≥100MΩ
Contact Resistance	≤5mΩ

IP Class	IP67
Mating Endurance	>100 Mating Cycles

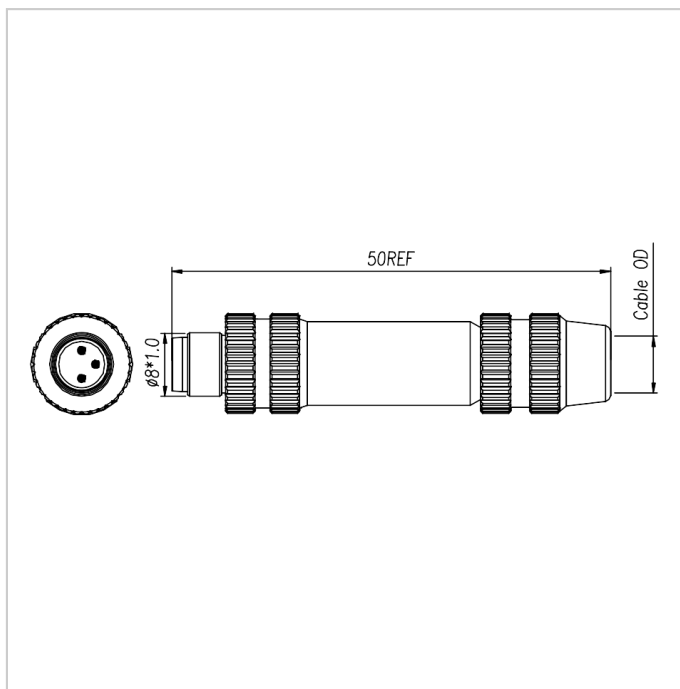
### Material Data

Connector Carriers	Zn Alloy With Nickel Plated
Connector Contacts	Copper Alloy With Gold Plated
Connector Nut/Screw	Zn Alloy With Nickel Plated
Shielding	Shielded
Contacts Termination	Terminal Locking Screw
Seal/O-Ring	FKM

### Electrical Data & Mechanical Date

Contacts Pin [Pins]	3	4
Rated Current [A]	3	3
Voltage AC/DC [V]	50/60	50/60
Wire Range AWG/mm <sup>2</sup>	24/0.25	

### Dimensions



### Accessories



M08-X\*\*-ST0-F02-BC\*-XXX



M08-X\*\*-RA0-F02-BC\*-XXX



M08-X\*\*-ST0-F02-BV\*-XXX



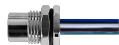
M08-X\*\*-ST0-F02-BFM



M08-X\*\*-ST0-F02-BQ3-XXX



M08-X\*\*-ST0-F02-BH2-XXX



M08-X\*\*-ST0-F02-BQ4-XXX



M08-X\*\*-ST0-F02-BQ3



M08-X\*\*-ST0-F02-BH2



M08-X\*\*-ST0-F02-BQ4



M08-X\*\*-ST0-F01-BQ3



M08-X\*\*-ST0-F01-BH2



M08-X\*\*-ST0-F01-BQ4



M08-X\*\*-ST1-F01-BQ3



M08-X\*\*-RA1-F01-BQ3

M08-X\*\*-ST0-F04-PS1

M08-X\*\*-ST2-F04-ZS1