

M12 Male Panel Mount, Solder Type, Front Fastened, With Wires



The catalog is for reference only. The actual specifications are subject to the product engineering drawings. version 1.0

Connector Series: M12

Gender	Male
Coding	A,B,C,D
Locking Type	Fix Screw
Mounting Type	Front Fastened
Part No	M12-X**-ST0-M02-BQ3-XXX

Technical Data

Standard	IEC61076-2-101
Ambient Temperatur	-25°C~+80°C
Insulation Resistance	≥100MΩ
Contact Resistance	≤5mΩ

M12-X**-ST0-M02-BQ3-XXX

M12 Circular Connector

Download Date:2026-07-07



IP Class	IP67
Mating Endurance	>100 Mating Cycles

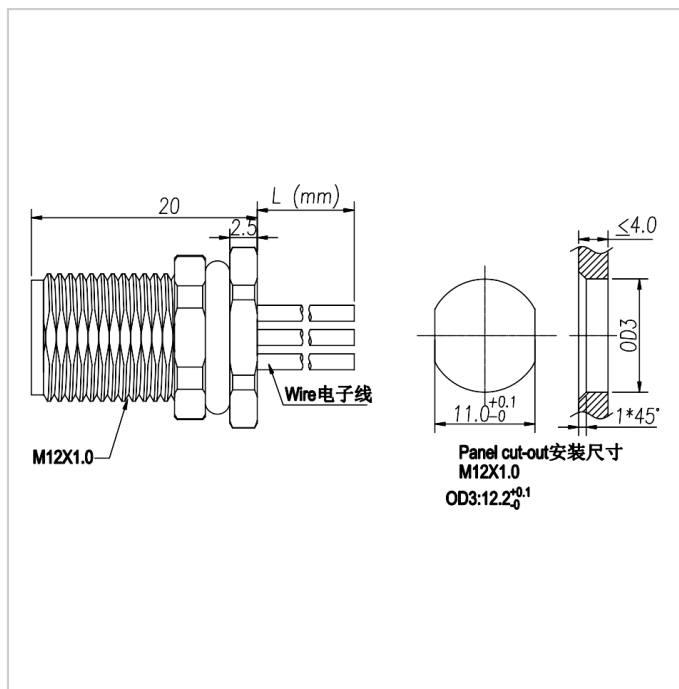
Material Data

Connector Carriers	PA
Connector Contacts	Copper Alloy With Gold Plated
Connector Nut/Screw	Copper Alloy With Nickel Plated
Shielding	Unshielded
Seal/O-Ring	FKM
Contacts Termination	Solder Type

Electrical Data & Mechanical Date

Contacts Pin [Pins]	3	4	5	6	8	12	17
Rated Current [A]	4	4	4/2	2	2	1.5	1.5
Voltage AC/DC [V]	250/250	250/250	60/60	30/30	30/30	30/30	30/30
Wire Range AWG/mm ²	22/0.34	22/0.34	22,24/0.34,0.25 (C-code)	24/0.25	24/0.25	26/0.14	26/0.14

Dimensions



Accessories



M12-X**-ST0-F02-BC*-XXX



M12-X**-RA0-F02-BC*-XXX



M12-X**-ST2-F02-BC*-XXX



M12-X**-RA2-F02-BC*-XXX



M12-X**-ST0-F02-BC*-XXX



M12-X**-ST0-F02-BC*-XXX



M12-X**-ST0-M02-BQ3-XXX

M12 Circular Connector

Download Date:2026-07-07



M12-X**-ST0-F02-BV*-XXX



M12-X**-ST0-F02-BFM



M12-X**-ST2-M02-BF*



M12-X**-ST0-F02-BMT



M12-X**-ST0-F02-SC*-XXX



M12-X**-RA0-F02-SC*-XXX



M12-X**-ST2-F02-SC*-XXX



M12-X**-ST0-F02-SV*-XXX



M12-X**-ST0-F04-PS*



M12-X**-RA0-F04-PS*



M12-X**-ST2-F04-BS*



M12-X**-RA2-F04-BS*

