

7/8" Female Panel Mount, Front Fastened, With wires



The catalog is for reference only. The actual specifications are subject to the product engineering drawings. version 1.0

### Connector Series: 7/8"

Gender	Female
Coding	A
Locking Type	Fix Screw
Mounting Type	Front Fastened
Part No	M87-A**-ST0-F02-BQ2-XXX

### Technical Data

Ambient Temperatur	-25°C~+85°C
Insulation Resistance	≥100MΩ
Contact Resistance	≤5mΩ
IP Class	IP67

Mating Endurance

>100 Mating Cycles

Material Data

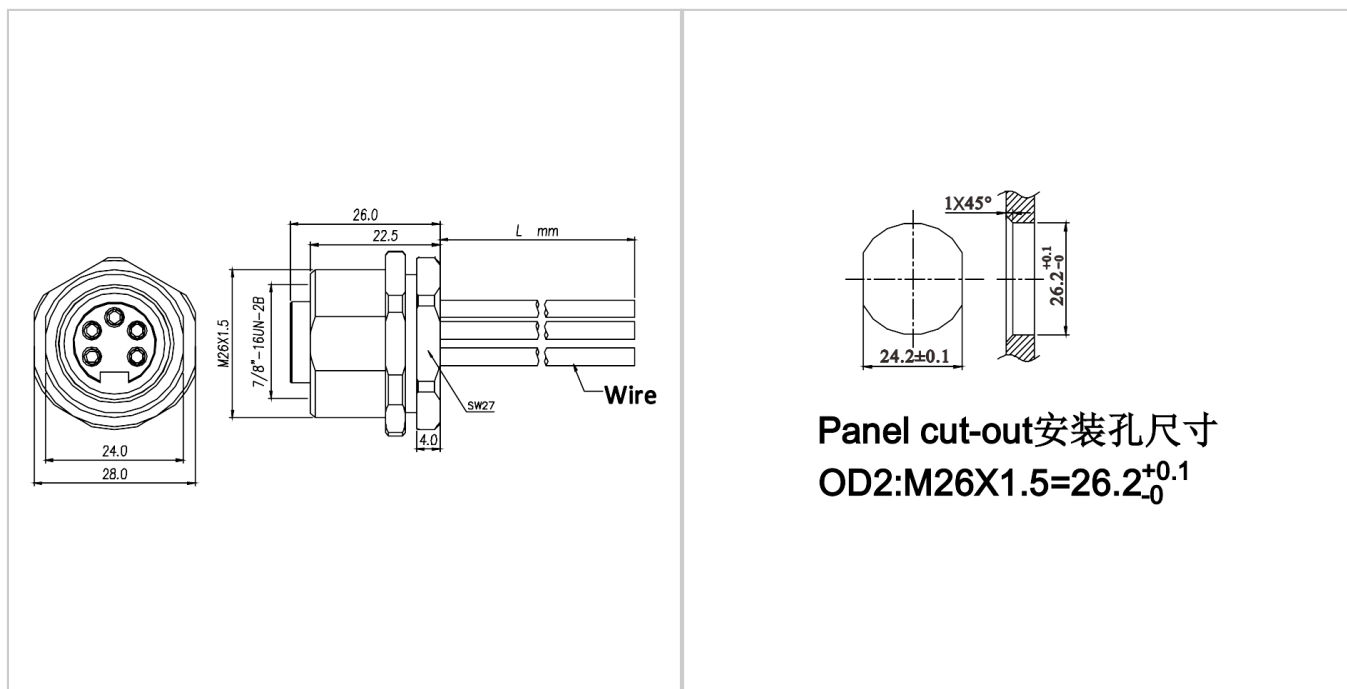
Connector Carriers	PA
Connector Contacts	Copper Alloy With Gold Plated
Connector Nut/Screw	Copper Alloy With Nickel Plated
Shielding	Unshielded
Seal/O-Ring	FKM

Electrical Data & Mechanical Date

Contacts Pin [Pins]	2	3	4	5
Rated Current [A]	13	13	13	8
Voltage AC/DC [V]	300/300			
Wire Range AWG/mm <sup>2</sup>	18/1.0			

Dimensions

PCB hole diagram



The image contains two technical drawings. On the left, a perspective view of the connector shows an outer diameter of 28.0 mm and an inner diameter of 24.0 mm. A side view shows a length of 26.0 mm, a contact length of 22.5 mm, and a wire length of L mm. The nut is labeled SW27 and the wire is labeled Wire. The mounting hole diameter is 24.2±0.1 mm. On the right, a PCB hole diagram shows a circular hole with a diameter of 24.2±0.1 mm and a chamfered edge with a 1X45° angle. The hole depth is 26.2±0.1 mm.

**Panel cut-out 安装孔尺寸**  
**OD2:M26X1.5=26.2<sup>+0.1</sup><sub>0</sub>**

## Accessories



M87-A\*\*-ST0-M02-BC\*-XXX



M87-A\*\*-RA0-M02-BC\*-XXX



M87-A\*\*-ST0-MF2-BT\*-XXX



M87-A\*\*-ST0-MF2-BTF