

7/8" Male Panel Mount, Rear Fastened, With wires



The catalog is for reference only. The actual specifications are subject to the product engineering drawings. version 1.0

### Connector Series: 7/8"

Gender	Male
Coding	A
Locking Type	Fix Screw
Mounting Type	Rear Fastened
Part No	M87-A**-ST0-M02-BH*-XXX

### Technical Data

Ambient Temperatur	-25°C~+85°C
Insulation Resistance	≥100MΩ
Contact Resistance	≤5mΩ
IP Class	IP67

Mating Endurance	>100 Mating Cycles
------------------	--------------------

**Material Data**

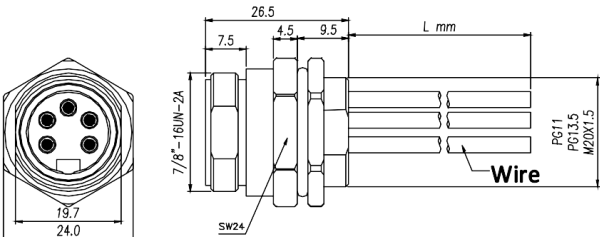
Connector Carriers	PA
Connector Contacts	Copper Alloy With Gold Plated
Connector Nut/Screw	Copper Alloy With Nickel Plated
Shielding	Unshielded
Seal/O-Ring	FKM

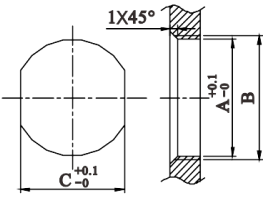
**Electrical Data & Mechanical Date**

Contacts Pin [Pins]	2	3	4	5
Rated Current [A]	13	13	13	8
Voltage AC/DC [V]	300/300			
Wire Range AWG/mm <sup>2</sup>	18/1.0			

**Dimensions**

**PCB hole diagram**





**Panel cut-out**

OD	A	B	C
OD4	18.7	PG11	17.0
OD3	20.5	PG13.5	18.8
OD5	20.1	M20x1.5	17.8

## Accessories



M87-A\*\*-ST0-F02-BC\*-XXX



M87-A\*\*-RA0-F02-BC\*-XXX