

Rated current: 6A

Rated voltage: 150V

Use wire diameter: /

spacing:2.54mm

Install: Reflow Soldering

The catalog is for reference only. The actual specifications are subject to the product engineering drawings. version 1.0

UL/CUL

Use Group	B	C	D
Rate Voltage [V]	150	-	-
Rated Current [A]	6	-	-
Wire Range [AWG]		-	
Dielectric Voltage-Withstand		1.3KV	

IEC

Overvoltage Category	III	III	II
Contamination Class	3	2	2
Rated Voltage [V]	32	160	160
Rated Current [A]	6	6	6

Impulse withstand voltage [KV]	0.8	2.5	2.5
Conductor cross section [mm ²]	-		

Material

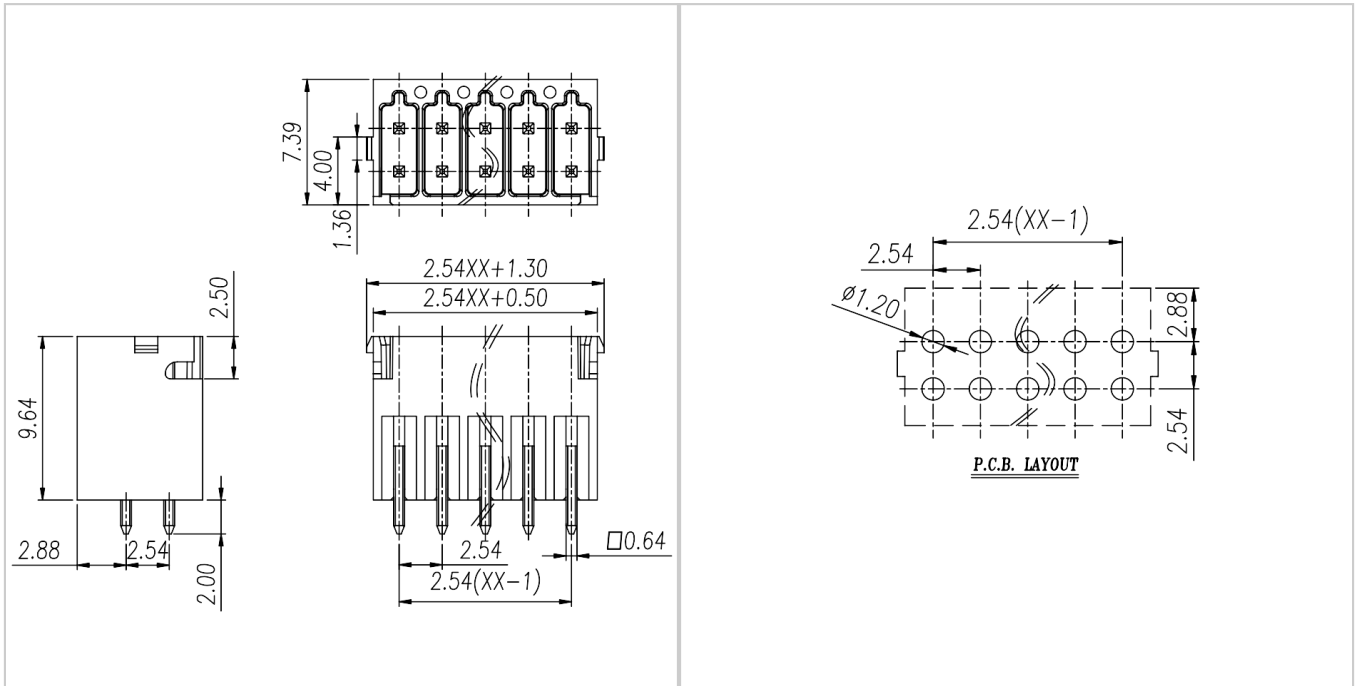
Insulation Material	HIGH-TEMPERATURE PLASTICS
Flame retardant rating	UL94V-0
Conductor Material	Copper alloy
Plating of conductor surface	Sn plated

Other Date

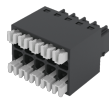
Pitch/Poles [mm]/[P]	2.54/2*2-2*24
Stripping Length [mm]	-
Screw/Torque(Max)[N.m]	-
Operating temperature [°C]	-40 ~ +130
Soldering method	Reflow Soldering
Pin dimensions [mm]	0.64*0.64
PCB Hole Diameter [mm]	Ø1.2

Dimensions

PCB hole diagram



Accessories



WJ15KVH-2.54