

Rated current: 8A
Rated voltage: 300V
spacing:3.81mm



The catalog is for reference only. The actual specifications are subject to the product engineering drawings. version 1.0

UL/CUL

| Use Group | B | C | D |
|------------------------------|-------|---|-----|
| Rate Voltage [V] | 300 | - | 300 |
| Rated Current [A] | 8 | - | 8 |
| Wire Range [AWG] | - | | |
| Dielectric Voltage-Withstand | 1.6KV | | |

IEC

| Overvoltage Category | III | III | II |
|----------------------|-----|-----|-----|
| Contamination Class | 3 | 2 | 2 |
| Rated Voltage [V] | 160 | 160 | 250 |
| Rated Current [A] | 7 | 7 | 7 |

| | | | |
|--|-----|-----|-----|
| Impulse withstand voltage [KV] | 2.5 | 2.5 | 2.5 |
| Conductor cross section [mm ²] | - | | |

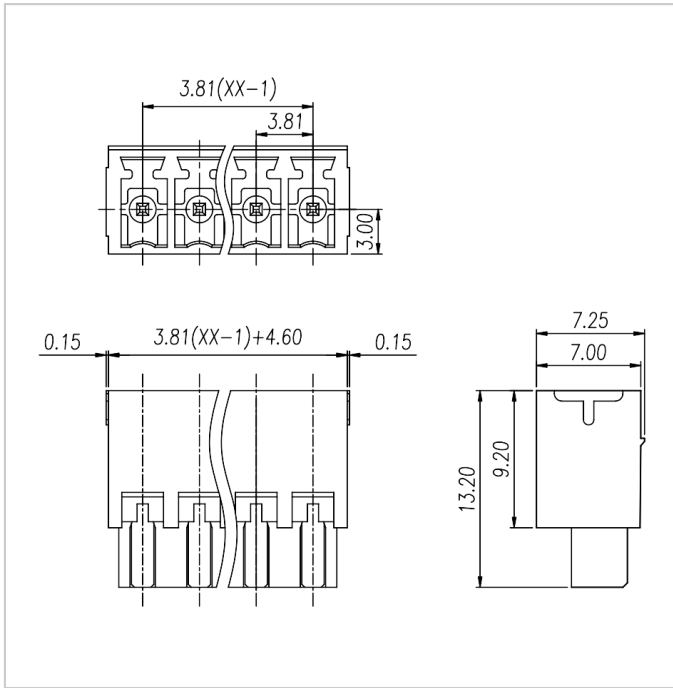
Material

| | |
|------------------------------|--------------|
| Insulation Material | PA66 |
| Flame retardant rating | UL94V-0 |
| Conductor Material | Copper alloy |
| Plating of conductor surface | Sn plated |

Other Data

| | |
|----------------------------|----------------|
| Pitch/Poles [mm]/[P] | 3.81/2-4 |
| Stripping Length [mm] | - |
| Screw/Torque(Max)[N.m] | - |
| Operating temperature [°C] | -40 ~ +105 |
| Soldering method | Wave soldering |
| Pin dimensions [mm] | - |
| PCB Hole Diameter [mm] | - |

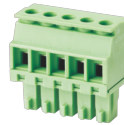
Dimensions



Accessories



WJ15EDGK-3.81



WJ15EDGKA-3.81



WJ15EDGKB-3.81



WJ15EDGKD-3.81