

Rated current: 15A

Rated voltage: 600V

Use wire diameter: 28-12AWG

spacing:10.16mm



The catalog is for reference only. The actual specifications are subject to the product engineering drawings. version 1.0

UL/CUL

| Use Group | B | C | D |
|------------------------------|-------|---|-----|
| Rate Voltage [V] | 600 | - | 600 |
| Rated Current [A] | 15 | - | 5 |
| Wire Range [AWG] | 28-12 | | |
| Dielectric Voltage-Withstand | 2.2KV | | |

IEC

| Overvoltage Category | III | III | II |
|----------------------|-----|------|------|
| Contamination Class | 3 | 2 | 2 |
| Rated Voltage [V] | 630 | 1000 | 1000 |
| Rated Current [A] | 15 | 15 | 15 |

| | | | |
|--|---------|---|---|
| Impulse withstand voltage [KV] | 8 | 8 | 8 |
| Conductor cross section [mm ²] | 0.2-2.5 | | |

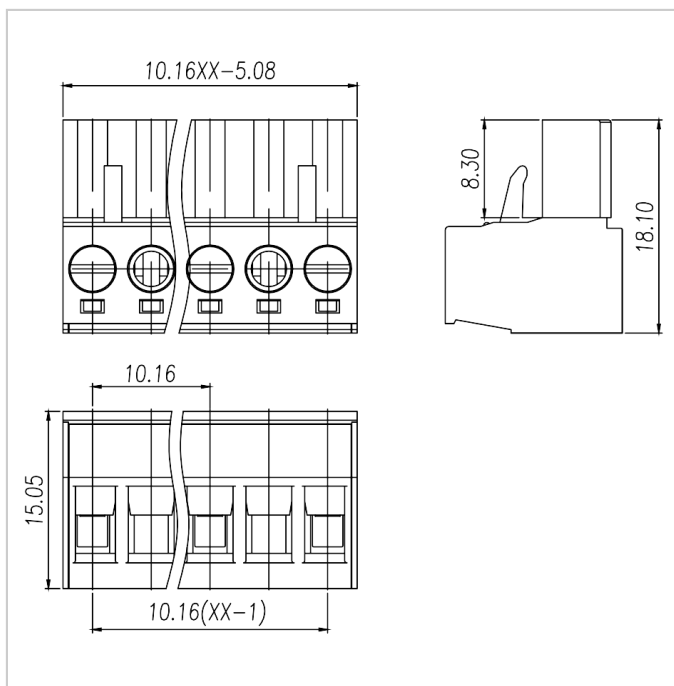
Material

| | |
|------------------------------|--------------|
| Insulation Material | PA66 |
| Flame retardant rating | UL94V-0 |
| Conductor Material | Copper alloy |
| Plating of conductor surface | Sn plated |

Other Date

| | |
|----------------------------|------------|
| Pitch/Poles [mm]/[P] | 10.16/2-12 |
| Stripping Length [mm] | 7-8 |
| Screw/Torque(Max)[N.m] | M3/0.5 |
| Operating temperature [°C] | -40 ~ +105 |

Dimensions



Accessories



WJ2EDGV-10.16



WJ2EDGR-10.16

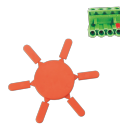


WJ2EDGVC-10.16



WJ2EDGRC-10.16

Matching components



WJ2EDG-PWI