



Rated current: 15A  
Rated voltage: 300V  
spacing:5.0mm



The catalog is for reference only. The actual specifications are subject to the product engineering drawings. version 1.0

### UL/CUL

| Use Group                    | B   | C     | D   |
|------------------------------|-----|-------|-----|
| Rate Voltage [V]             | 300 | -     | 300 |
| Rated Current [A]            | 15  | -     | 10  |
| Wire Range [AWG]             |     | -     |     |
| Dielectric Voltage-Withstand |     | 1.6KV |     |

### IEC

| Overvoltage Category | III | III | II  |
|----------------------|-----|-----|-----|
| Contamination Class  | 3   | 2   | 2   |
| Rated Voltage [V]    | 320 | 320 | 630 |
| Rated Current [A]    | 12  | 12  | 12  |

|  |   |   |   |
|--|---|---|---|
| Impulse withstand voltage [KV]             | 4 | 4 | 4 |
| Conductor cross section [mm <sup>2</sup> ] | - |   |   |

### Material

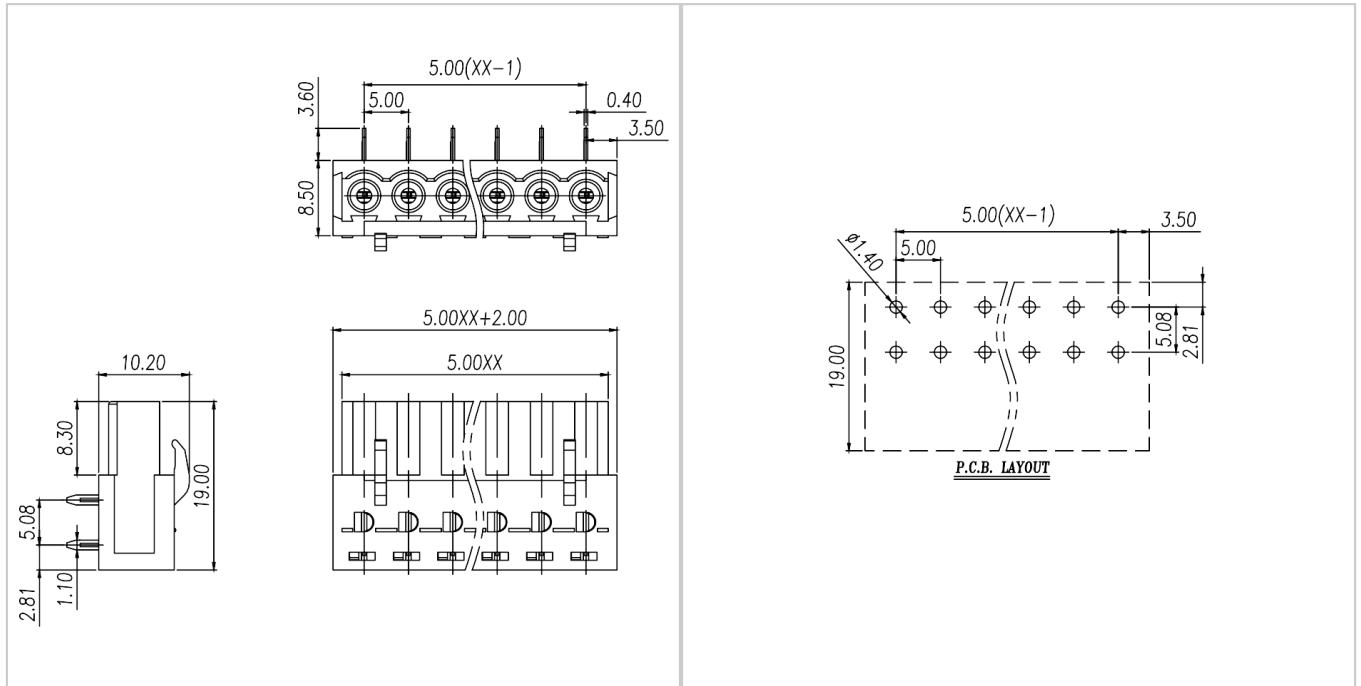
|                              |              |
|------------------------------|--------------|
| Insulation Material          | PA66         |
| Flame retardant rating       | UL94V-0      |
| Conductor Material           | Copper alloy |
| Plating of conductor surface | Sn plated    |

### Other Date

|                            |                |
|----------------------------|----------------|
| Pitch/Poles [mm]/[P]       | 5.0/2-24       |
| Stripping Length [mm]      | -              |
| Screw/Torque(Max)[N.m]     | -              |
| Operating temperature [°C] | -40 ~ +105     |
| Soldering method           | Wave soldering |
| Pin dimensions [mm]        | 0.4*1.1        |
| PCB Hole Diameter [mm]     | Ø1.4           |

### Dimensions

### PCB hole diagram



## Accessories



WJ2EDGV-5.0



WJ2EDGR-5.0



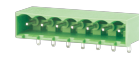
WJ2EDGVC-5.0



WJ2EDGRC-5.0



WJ2EDGRR-5.0



WJ2EDGRRC-5.0



WJ2EDGV-THT-5.0



WJ2EDGVC-THT-5.0



WJ2EDGR-THT-5.0

WJ2EDGRC-THT-5.0

WJ2EDGKDR-5.0