

Rated current: 15A
Rated voltage: 600V
spacing:10.0mm



The catalog is for reference only. The actual specifications are subject to the product engineering drawings. version 1.0

UL/CUL

| Use Group | B | C | D |
|------------------------------|-----|-------|-----|
| Rate Voltage [V] | 600 | - | 600 |
| Rated Current [A] | 15 | - | 5 |
| Wire Range [AWG] | | - | |
| Dielectric Voltage-Withstand | | 2.2KV | |

IEC

| Overvoltage Category | III | III | II |
|----------------------|-----|------|------|
| Contamination Class | 3 | 2 | 2 |
| Rated Voltage [V] | 630 | 1000 | 1000 |
| Rated Current [A] | 15 | 15 | 15 |

| | | | |
|--|---|---|---|
| Impulse withstand voltage [KV] | 8 | 8 | 8 |
| Conductor cross section [mm ²] | - | | |

Material

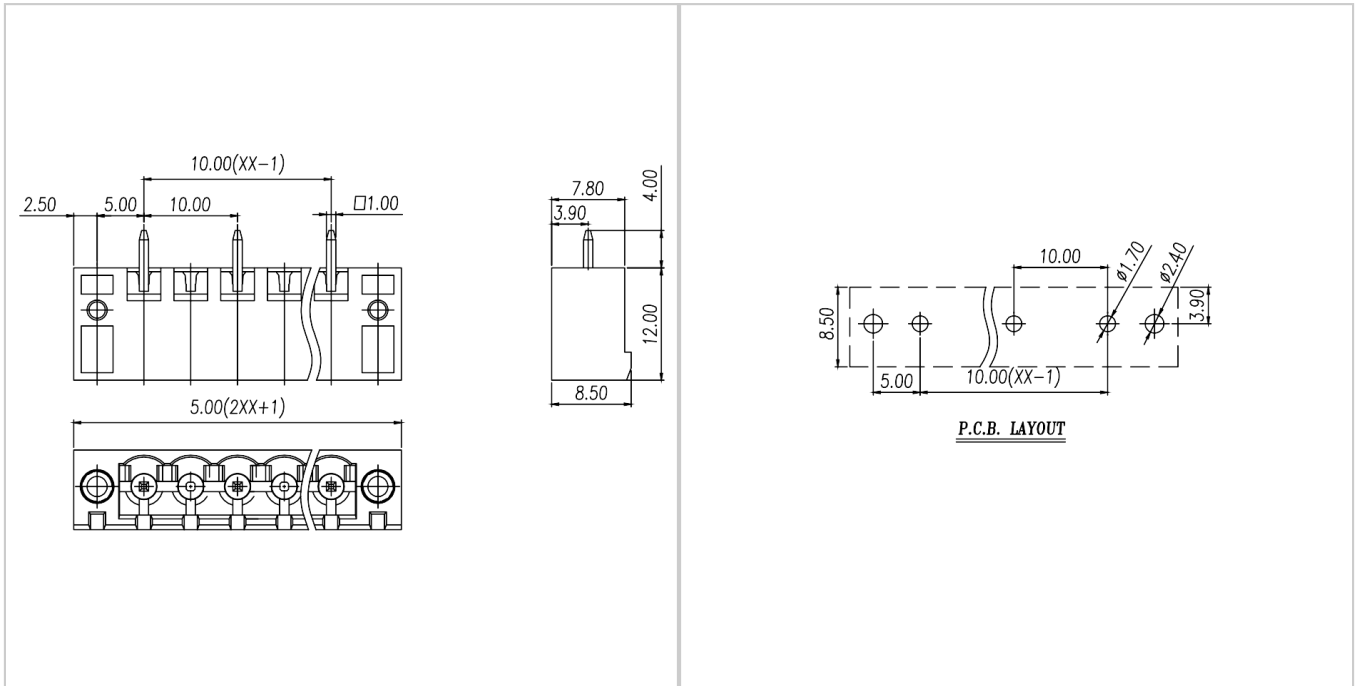
| | |
|------------------------------|--------------|
| Insulation Material | PA66 |
| Flame retardant rating | UL94V-0 |
| Conductor Material | Copper alloy |
| Plating of conductor surface | Sn plated |

Other Data

| | |
|----------------------------|----------------|
| Pitch/Poles [mm]/[P] | 10.0/2-12 |
| Stripping Length [mm] | - |
| Screw/Torque(Max)[N.m] | - |
| Operating temperature [°C] | -40 ~ +105 |
| Soldering method | Wave soldering |
| Pin dimensions [mm] | 1.0*1.0 |
| PCB Hole Diameter [mm] | Ø1.7 |

Dimensions

PCB hole diagram



Accessories



WJ2EDGKM-10.0