



Rated current: 15A
Rated voltage: 300V
spacing:5.0mm



The catalog is for reference only. The actual specifications are subject to the product engineering drawings. version 1.0

UL/CUL

Use Group	B	C	D
Rate Voltage [V]	300	-	300
Rated Current [A]	15	-	10
Wire Range [AWG]		-	
Dielectric Voltage-Withstand		1.6KV	

IEC

Overvoltage Category	III	III	II
Contamination Class	3	2	2
Rated Voltage [V]	250	320	400
Rated Current [A]	20	20	20

Impulse withstand voltage [KV]	4	4	4
Conductor cross section [mm ²]	-		

Material

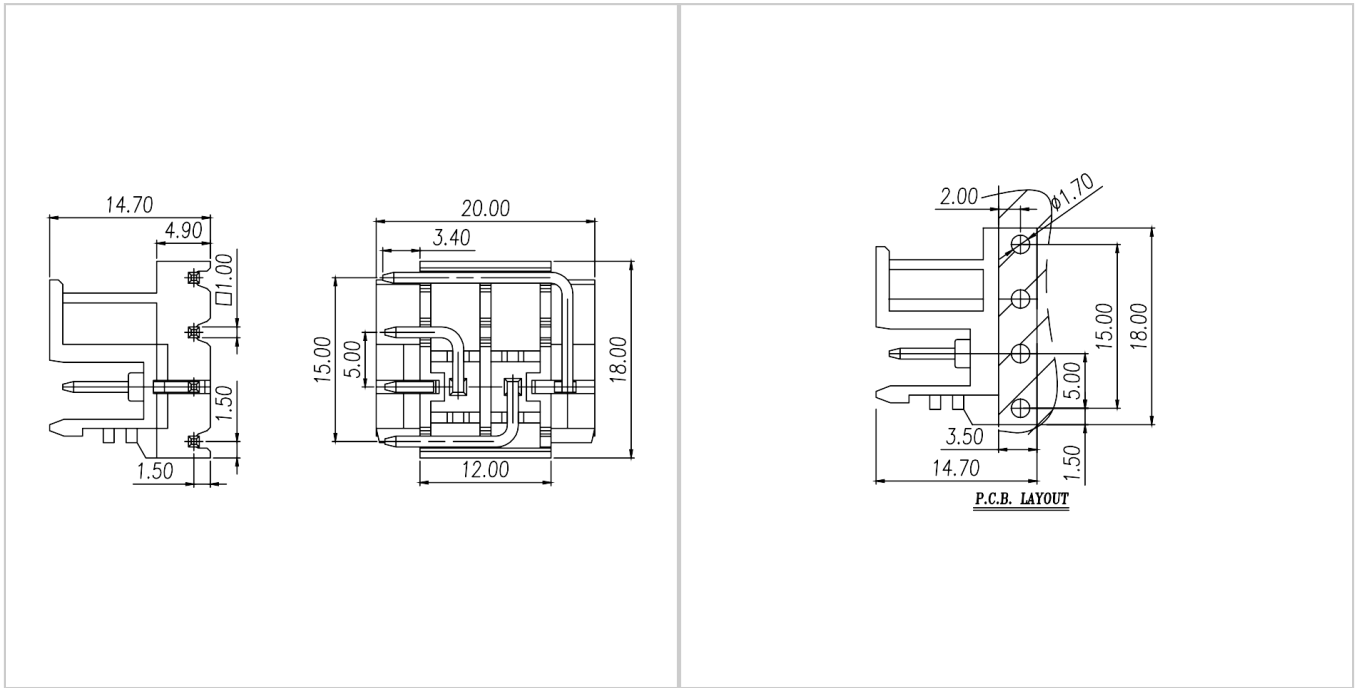
Insulation Material	PA66
Flame retardant rating	UL94V-0
Conductor Material	Copper alloy
Plating of conductor surface	Sn plated

Other Date

Pitch/Poles [mm]/[P]	5.0/2-4
Stripping Length [mm]	-
Screw/Torque(Max)[N.m]	-
Operating temperature [°C]	-40 ~ +105
Soldering method	Wave soldering
Pin dimensions [mm]	1.0*1.0
PCB Hole Diameter [mm]	Ø1.7

Dimensions

PCB hole diagram



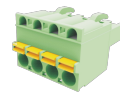
Accessories



FMDT-OTA-04P



FMDT-CTA-04P



WJ2EDGKDF-5.0



WJ2EDGKDT-5.0



WJ2EDGKF-5.0