



Rated current: 30A

Rated voltage: 300V

Use wire diameter: 28-10AWG

spacing:7.62mm



The catalog is for reference only. The actual specifications are subject to the product engineering drawings. version 1.0

UL/CUL

Use Group	B	C	D
Rate Voltage [V]	300	-	300
Rated Current [A]	30	-	10
Wire Range [AWG]	28-10		
Dielectric Voltage-Withstand	1.6KV		

IEC

Overvoltage Category	III	III	II
Contamination Class	3	2	2
Rated Voltage [V]	400	630	1000
Rated Current [A]	20	20	20

Impulse withstand voltage [KV]	6	6	6
Conductor cross section [mm ²]	0.5-4.0		

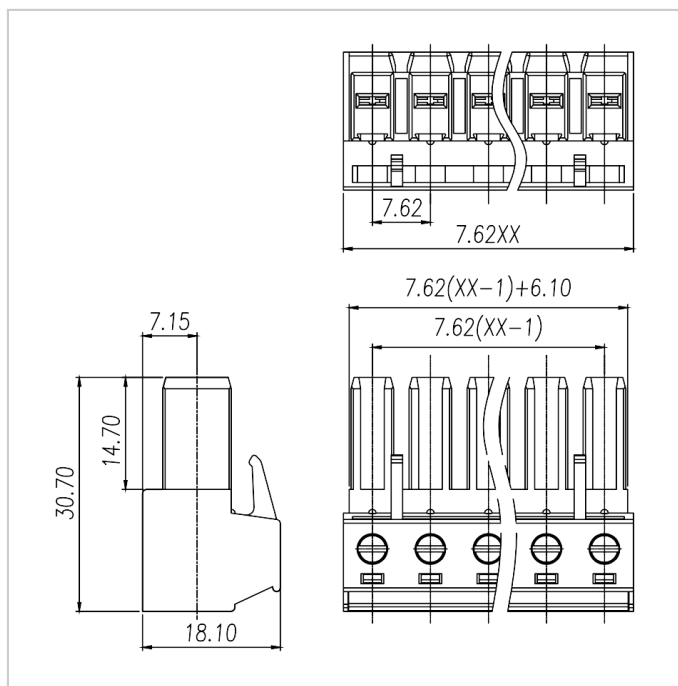
Material

Insulation Material	PA66
Flame retardant rating	UL94V-0
Conductor Material	Copper alloy
Plating of conductor surface	Sn plated

Other Date

Pitch/Poles [mm]/[P]	7.62/2-24
Stripping Length [mm]	8-9
Screw/Torque(Max)[N.m]	M3/0.5
Operating temperature [°C]	-40 ~ +105

Dimensions



Accessories



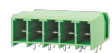
WJ3EDGKVR-7.62



WJ3EDGKR-7.62



WJ3EDGVC-7.62



WJ3EDGRC-7.62



WJ3CDGM-7.62



WJ3EDGVH-7.62



WJ3EDGRH-7.62



WJ3EDGRRH-7.62