



Rated current: 41A  
Rated voltage: 600V  
Use wire diameter: 24-8AWG  
spacing:7.62mm



The catalog is for reference only. The actual specifications are subject to the product engineering drawings. version 1.0

### UL/CUL

| Use Group                    | B     | C | D   |
|------------------------------|-------|---|-----|
| Rate Voltage [V]             | 600   | - | 600 |
| Rated Current [A]            | 41    | - | 10  |
| Wire Range [AWG]             | 24-8  |   |     |
| Dielectric Voltage-Withstand | 1.6KV |   |     |

### IEC

| Overvoltage Category | III  | III  | II   |
|----------------------|------|------|------|
| Contamination Class  | 3    | 2    | 2    |
| Rated Voltage [V]    | 1000 | 1000 | 1000 |
| Rated Current [A]    | 41   | 41   | 41   |

|  |         |   |   |
|--|---------|---|---|
| Impulse withstand voltage [KV]             | 8       | 8 | 6 |
| Conductor cross section [mm <sup>2</sup> ] | 0.2-6.0 |   |   |

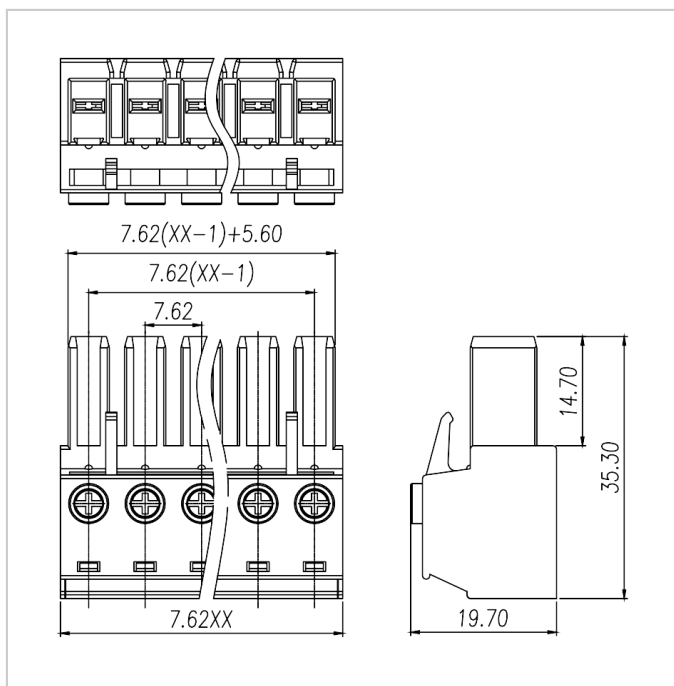
### Material

|                              |              |
|------------------------------|--------------|
| Insulation Material          | PA66         |
| Flame retardant rating       | UL94V-0      |
| Conductor Material           | Copper alloy |
| Plating of conductor surface | Sn plated    |

### Other Date

|                            |            |
|----------------------------|------------|
| Pitch/Poles [mm]/[P]       | 7.62/2-12  |
| Stripping Length [mm]      | 10         |
| Screw/Torque(Max)[N.m]     | M3/0.5     |
| Operating temperature [°C] | -40 ~ +105 |

### Dimensions



## Accessories



WJ3EDGKVR-7.62



WJ3EDGKR-7.62



WJ3EDGVC-7.62



WJ3EDGRC-7.62



WJ3EDGVH-7.62



WJ3EDGRH-7.62



WJ3EDGRRH-7.62