

Rated current: 4A

Rated voltage: 150V

Use wire diameter: 28-20AWG

spacing:2.5mm



The catalog is for reference only. The actual specifications are subject to the product engineering drawings. version 1.0

UL/CUL

Use Group	B	C	D
Rate Voltage [V]	150	-	-
Rated Current [A]	4	-	-
Wire Range [AWG]	28-20		
Dielectric Voltage-Withstand	1.3KV		

IEC

Overvoltage Category	III	III	II
Contamination Class	3	2	2
Rated Voltage [V]	100	160	320
Rated Current [A]	6	6	6

Impulse withstand voltage [KV]	2.5	2.5	2.5
Conductor cross section [mm ²]	0.25-0.5		

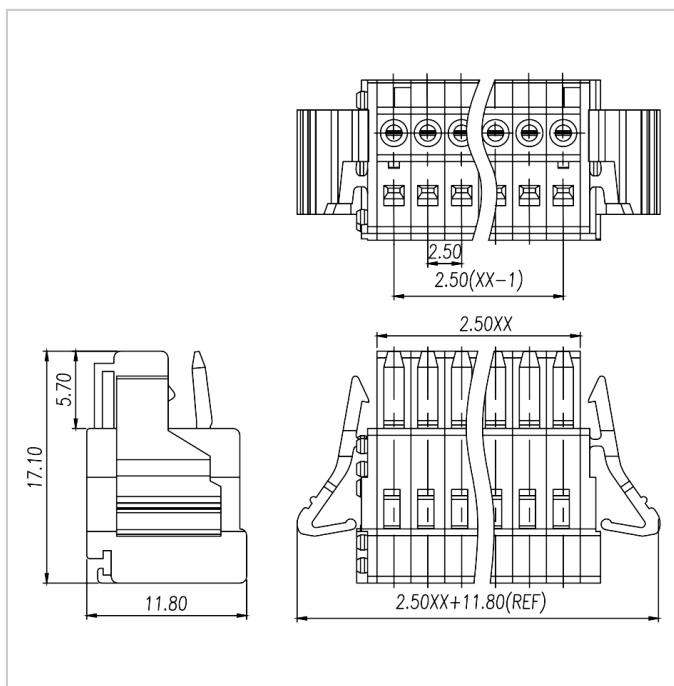
Material

Insulation Material	PA66
Flame retardant rating	UL94V-0
Conductor Material	Copper alloy
Plating of conductor surface	Sn plated

Other Date

Pitch/Poles [mm]/[P]	2.5/2-12
Stripping Length [mm]	5-6
Screw/Torque(Max)[N.m]	-
Operating temperature [°C]	-40 ~ +105

Dimensions



Accessories



WJ0102-01XX



WJ0102-02XX



WJ0103-01XX