

额定电流: 15A

额定电压: 300V

使用线径: 26-14AWG



目录仅供参考，实际规格依产品工程图为准 版本1.0

### 技术数据-UL ( 1059 )

等级 Use Group	B	C	D
额定电压 Rate Voltage [V]	300	300	600
额定电流 Rated Current [A]	15	15	5
接线范围 Wire Range [AWG]	26~14		

### 技术参数-IEC ( 60947-7-1 )

额定电压 Rated Voltage [V]	500
额定电流 Rated Current [A]	17.5
单芯 Solid [mm <sup>2</sup> ]	0.2-1.5
柔性导线 Flexible [mm <sup>2</sup> ]	0.2-1.5
柔性导线带冷压头 Flexible with ferrule [mm <sup>2</sup> ]	0.2-1.5
过电压类别 Overvoltage Category	III

污染等级 Contamination Class	3
额定冲击电压 Impulse withstand voltage [KV]	6

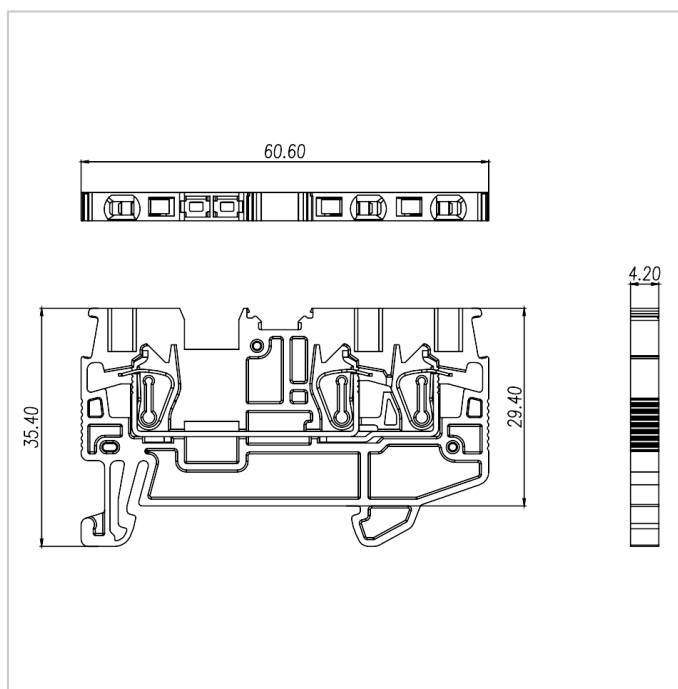
### 材料 Material

绝缘材料 Insulation Material	PA66
阻燃等级 Flame retardant rating	UL94V-0
导体材料 Conductor Material	Copper alloy
导体表面镀层 Plating of conductor surface	Sn plated

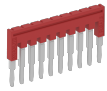
### 一般参数 Other Date

长/高/厚 Length/Height/Thickness [mm]	60.6/35.4/4.2
剥线长度 Stripping Length [mm]	8-10

### 尺寸图



### 适配产品



FUSA1.5-XX



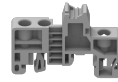
DUV2.5-103



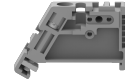
MUS1.5-10



PUS1.5-120



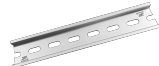
EB-35



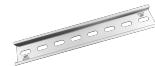
EW-35



DGL2-35x7.5A



DGL2-35x7.5B



DGL2-35x7.5C



DGL2-35x7.5D