

额定电流: 30A

额定电压: 600V

使用线径: 24-10AWG



目录仅供参考，实际规格依产品工程图为准 版本1.0

技术数据-UL ( 1059 )

等级 Use Group	B	C	D
额定电压 Rate Voltage [V]	600	600	600
额定电流 Rated Current [A]	30	30	5
接线范围 Wire Range [AWG]	24 ~ 10		

技术参数-IEC ( 60947-7-1 )

额定电压 Rated Voltage [V]	800
额定电流 Rated Current [A]	32
单芯 Solid [mm <sup>2</sup> ]	0.2-6.0
柔性导线 Flexible [mm <sup>2</sup> ]	0.2-4.0
柔性导线带冷压头 Flexible with ferrule [mm <sup>2</sup> ]	0.2-4.0
过电压类别 Overvoltage Category	III

污染等级 Contamination Class	3
额定冲击电压 Impulse withstand voltage [KV]	8

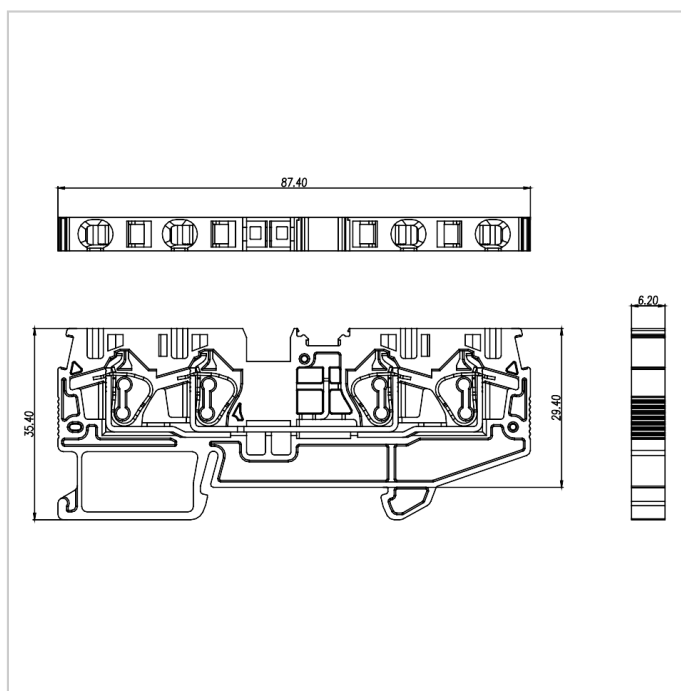
### 材料 Material

绝缘材料 Insulation Material	PA66
阻燃等级 Flame retardant rating	UL94V-0
导体材料 Conductor Material	Copper alloy
导体表面镀层 Plating of conductor surface	Sn plated

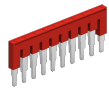
### 一般参数 Other Date

长/高/厚 Length/Height/Thickness [mm]	87.4/35.4/6.2
剥线长度 Stripping Length [mm]	8-10

### 尺寸图



### 适配产品



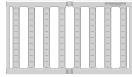
FUVA4-XX



DUS4-104



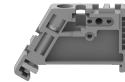
MUV4-10



PUV4-80



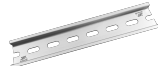
EB-35



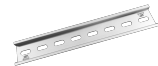
EW-35



DGL2-35x7.5A



DGL2-35x7.5B



DGL2-35x7.5C



DGL2-35x7.5D