

插拔式连接器

额定电流: 8A

额定电压: 300V

使用线径: 24-16AWG

间距:3.5mm

安装: 直插式弹簧连接



目录仅供参考，实际规格依产品工程图为准 版本1.0

技术数据-UL/CUL

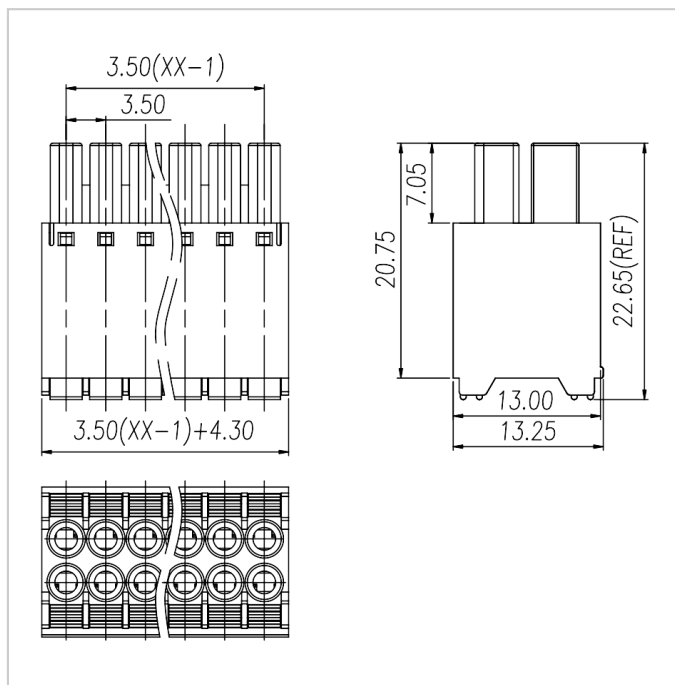
| 等级 Use Group | B | C | D |
|----------------------------------|-------|---|-----|
| 额定电压 Rate Voltage [V] | 300 | - | 300 |
| 额定电流 Rated Current [A] | 8 | - | 8 |
| 接线范围 Wire Range [AWG] | 24-16 | | |
| 耐电压 Dielectric Voltage-Withstand | 1.6KV | | |

技术参数-IEC

| 过电压类别 Overvoltage Category | III | III | II |
|---------------------------------------|-----|-----|-----|
| 污染等级 Contamination Class | 3 | 2 | 2 |
| 额定电压 Rated Voltage [V] | 160 | 160 | 320 |
| 额定电流 Rated Current [A] | 8 | 8 | 8 |
| 额定冲击电压 Impulse withstand voltage [KV] | 2.5 | 2.5 | 2.5 |

| | |
|---|--------------|
| 导线截面积[硬/柔] Conductor cross section [mm ²] | 0.2-1.5 |
| 材料 Material | |
| 绝缘材料 Insulation Material | PA66 |
| 阻燃等级 Flame retardant rating | UL94V-0 |
| 导体材料 Conductor Material | Copper alloy |
| 导体表面镀层 Plating of conductor surface | Sn plated |
| 一般参数 Other Date | |
| 间距/极数 Pitch/Poles [mm]/[P] | 3.5/2*2-2*24 |
| 剥线长度 Stripping Length [mm] | 9-10 |
| 螺丝/扭矩 Screw/Torque(Max)[N.m] | - |
| 工作温度 Operating temperature [°C] | -40 ~ +105 |

尺寸图



适配产品



WJ15EDGVHC-THR-3.5



WJ15EDGRHC-THR-3.5