

M12 公头面板式, S-T-K-L-M Coding
压接式, 前锁安装, 压接电子线



目录仅供参考, 实际规格依产品工程图为准 版本1.0

连接器系列 Connector Series: M12

类型 Gender	Male 公
编码 Coding	S,T,K,L,M
装配方式 Locking Type	Fix Screw 锁螺丝
安装类型 Mounting Type	Front Screw 前锁
产品编码 Part No	M12-X**-ST0-M03-BQ*-XXX

技术参数 Technical Data

标准 Standard	IEC61076-2-111
工作温度 Ambient Temperatur	-25°C~+80°C
绝缘电阻 Insulation Resistance	≥100MΩ
接触电阻 Contact Resistance	≤5mΩ
防护等级 IP Class	IP67

机械寿命 Mating Endurance	>100 Mating Cycles
-----------------------	--------------------

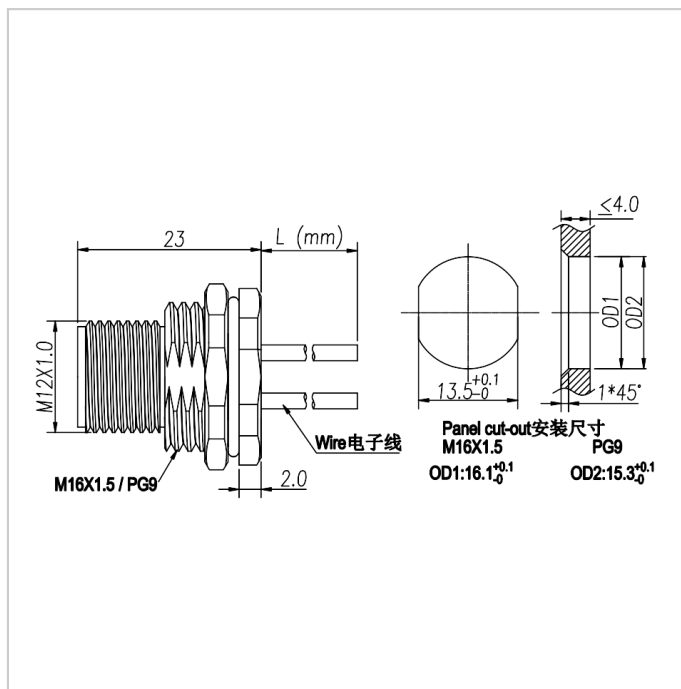
材质说明 Material Data

胶芯材料 Connector Carriers	PA
接触端子 Connector Contacts	Copper Alloy With Gold Plated 铜镀金
螺母/螺丝 Connector Nut/Screw	Copper Alloy With Nickel Plated 铜镀镍
屏蔽 Shielding	Unshielded 非屏蔽
密封胶圈 Seal/O-Ring	FKM 氟橡胶
连接方式 Contacts Termination	Crimping Type 铆接式

电气参数&机械参数 Electrical Data & Mechanical Date

Available Coding 防插错编码	S-Coding T-Coding K-Coding L-Coding M-Coding				
额定电流 Rated Current [A]	16(03Pin), 12(04Pin)	12	12	16	8
额定电压 Rated Voltage [V]	630	63	630	63	630
接线范围 Wire Range AWG/mm ²	16/1.5	16/1.5	16/1.5	16/1.5	18/1.0

尺寸图



适配产品



M12-X**-ST0-F02-BC*-XXX



M12-X**-RA0-F02-BC*-XXX



M12-X**-ST2-F02-BC*-XXX



M12-X**-RA2-F02-BC*-XXX



M12-X**-ST0-F02-BC*-XXX



M12-X**-ST0-F02-BC*-XXX



M12-X**-ST0-F02-BV*-XXX



M12-X**-ST0-F02-BFM



M12-X**-ST2-M02-BF*



M12-X**-ST0-F02-BMT



M12-X**-ST0-F02-SC*-XXX



M12-X**-RA0-F02-SC*-XXX



M12-X**-ST2-F02-SC*-XXX



M12-X**-ST0-F02-SV*-XXX



M12-X**-ST0-F04-PS*



M12-X**-RA0-F04-PS*

M12-X**-ST2-F04-BS*

M12-X**-RA2-F04-BS*