

穿墙式接线端子

额定电流: 65A

额定电压: 300V

使用线径: 24-6AWG

间距: /

目录仅供参考，实际规格依产品工程图为准 版本1.0

技术数据-UL/CUL

等级 Use Group	B	C	D
额定电压 Rate Voltage [V]	300	150	300
额定电流 Rated Current [A]	65	65	10
接线范围 Wire Range [AWG]		24-6	
耐电压 Dielectric Voltage-Withstand		1.6KV	

技术参数-IEC

过电压类别 Overvoltage Category	III
污染等级 Contamination Class	3
额定电压 Rated Voltage [V]	500
额定电流 Rated Current [A]	76
额定冲击电压 Impulse withstand voltage [KV]	6

导线截面积[硬/柔] Conductor cross section [mm ²]	0.5-16.0
---	----------

材料 Material

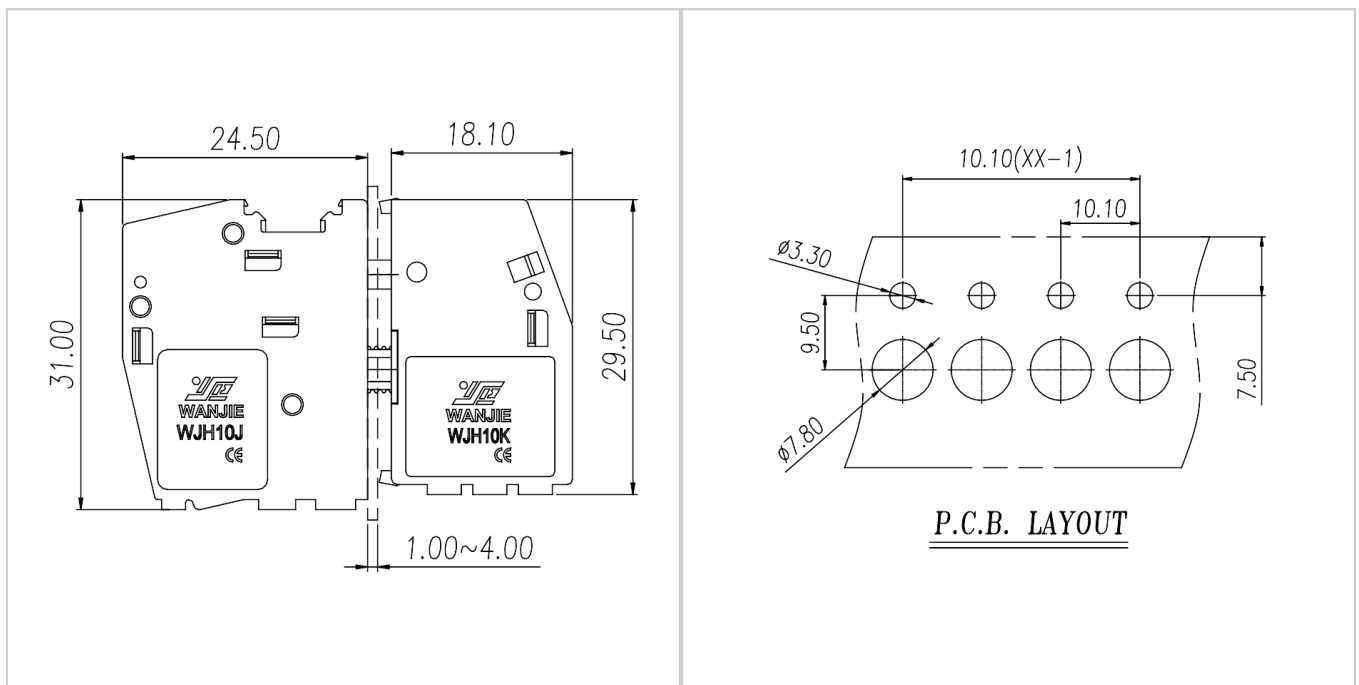
绝缘材料 Insulation Material	PA66
阻燃等级 Flame retardant rating	UL94V-0
导体材料 Conductor Material	Copper alloy
导体表面镀层 Plating of conductor surface	Sn plated

一般参数 Other Date

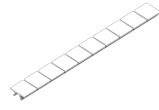
间距/极数 Pitch/Poles [mm]/[P]	10.0/XX=01P
剥线长度 Stripping Length [mm]	10
螺丝/扭矩 Screw/Torque(Max)[N.m]	M4/1.2
工作温度 Operating temperature [°C]	-40 ~ +105

尺寸图

PCB开孔图



适配产品



MUV10-10