

插拔式连接器

额定电流: 8A

额定电压: 300V

使用线径: 28-16AWG

间距:3.5mm



目录仅供参考，实际规格依产品工程图为准 版本1.0

技术数据-UL/CUL

| 等级 Use Group | B | C | D |
|----------------------------------|-------|---|-----|
| 额定电压 Rate Voltage [V] | 300 | - | 300 |
| 额定电流 Rated Current [A] | 8 | - | 8 |
| 接线范围 Wire Range [AWG] | 28-16 | | |
| 耐电压 Dielectric Voltage-Withstand | 1.6KV | | |

技术参数-IEC

| 过电压类别 Overvoltage Category | III | III | II |
|---------------------------------------|-----|-----|-----|
| 污染等级 Contamination Class | 3 | 2 | 2 |
| 额定电压 Rated Voltage [V] | 160 | 160 | 320 |
| 额定电流 Rated Current [A] | 8 | 8 | 8 |
| 额定冲击电压 Impulse withstand voltage [KV] | 2.5 | 2.5 | 2.5 |

导线截面积[硬/柔] Conductor cross section [mm²]

0.2-1.5

材料 Material

绝缘材料 Insulation Material

PA66

阻燃等级 Flame retardant rating

UL94V-0

导体材料 Conductor Material

Copper alloy

导体表面镀层 Plating of conductor surface

Sn plated

一般参数 Other Date

间距/极数 Pitch/Poles [mm]/[P]

3.5/2-24

剥线长度 Stripping Length [mm]

6-7

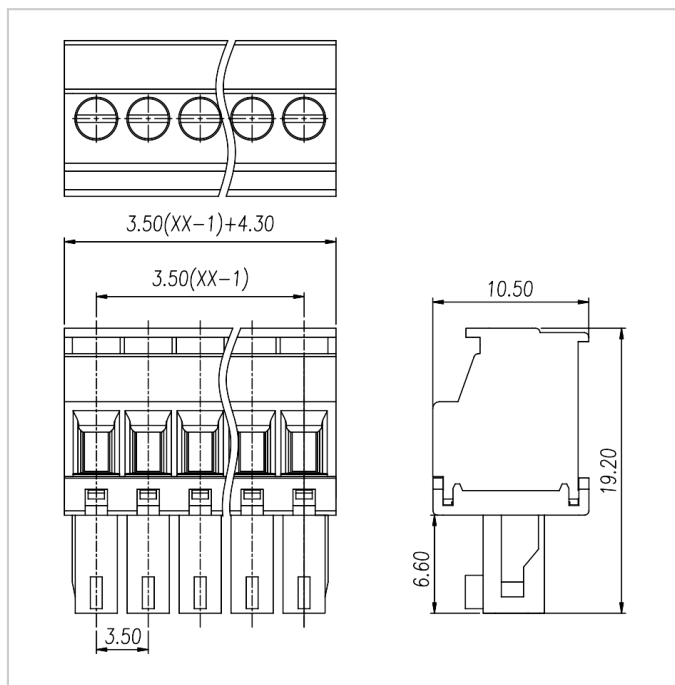
螺丝/扭矩 Screw/Torque(Max)[N.m]

M2/0.2

工作温度 Operating temperature [°C]

-40 ~ +105

尺寸图



适配产品



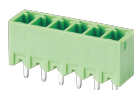
WJ15EDGVC-THR-3.5



WJ15EDGRC-THR-3.5



WJ15EDGKNR-3.5



WJ15EDGVC-3.5



WJ15EDGRC-3.5



WJ15EDGLC-3.5



WJ15EDGVT-3.5



WJ15EDGRT-3.5



WJ15EDGVH-3.5



WJ15EDGRH-3.5