

额定电流: 15A

额定电压: 300V

间距:7.5mm



目录仅供参考，实际规格依产品工程图为准 版本1.0

### 技术数据-UL/CUL

| 等级 Use Group                     | B     | C | D   |
|----------------------------------|-------|---|-----|
| 额定电压 Rate Voltage [V]            | 300   | - | 300 |
| 额定电流 Rated Current [A]           | 15    | - | 10  |
| 接线范围 Wire Range [AWG]            | -     |   |     |
| 耐电压 Dielectric Voltage-Withstand | 1.6KV |   |     |

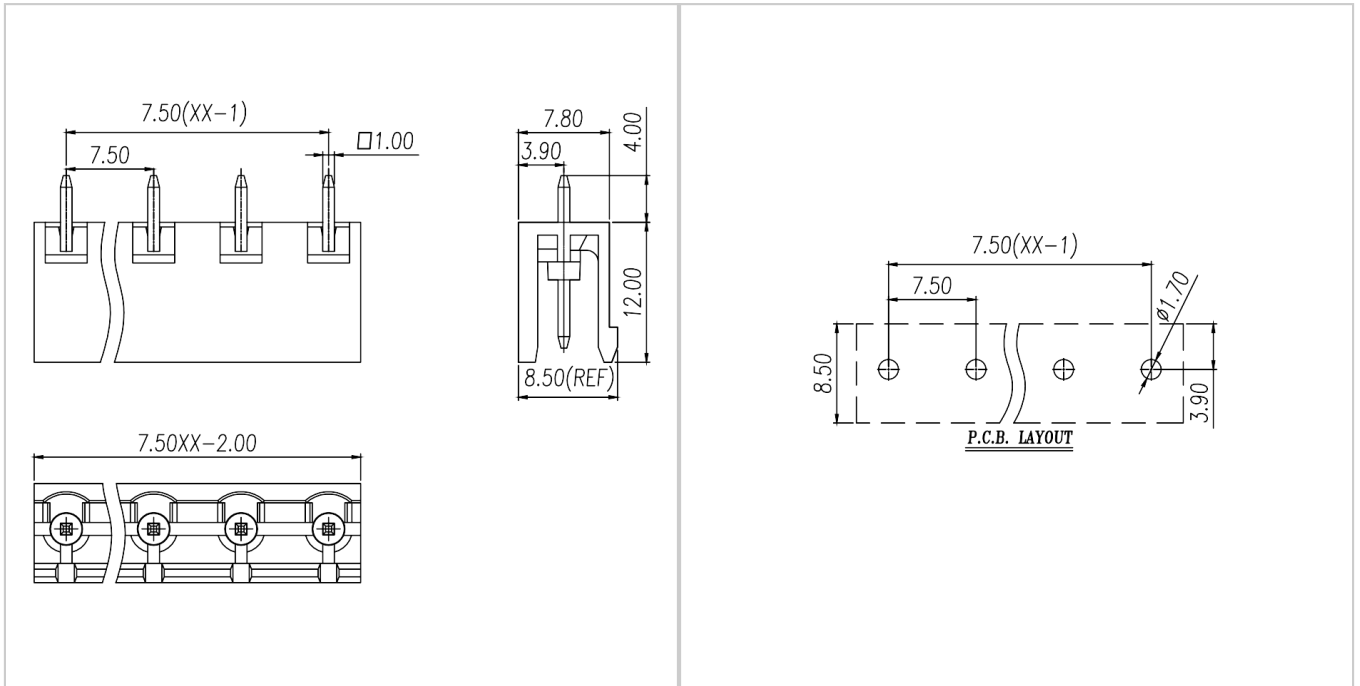
### 技术参数-IEC

| 过电压类别 Overvoltage Category            | III | III | II  |
|---------------------------------------|-----|-----|-----|
| 污染等级 Contamination Class              | 3   | 2   | 2   |
| 额定电压 Rated Voltage [V]                | 400 | 630 | 630 |
| 额定电流 Rated Current [A]                | 15  | 15  | 15  |
| 额定冲击电压 Impulse withstand voltage [KV] | 6   | 6   | 6   |

|   |                |
|---|----------------|
| 导线截面积[硬/柔] Conductor cross section [mm <sup>2</sup> ] | -              |
| <b>材料 Material</b>                                    |                |
| 绝缘材料 Insulation Material                              | PA66           |
| 阻燃等级 Flame retardant rating                           | UL94V-0        |
| 导体材料 Conductor Material                               | Copper alloy   |
| 导体表面镀层 Plating of conductor surface                   | Sn plated      |
| <b>一般参数 Other Date</b>                                |                |
| 间距/极数 Pitch/Poles [mm]/[P]                            | 7.5/2-24       |
| 剥线长度 Stripping Length [mm]                            | -              |
| 螺丝/扭矩 Screw/Torque(Max)[N.m]                          | -              |
| 工作温度 Operating temperature [°C]                       | -40 ~ +105     |
| 焊接方式 Soldering method                                 | Wave soldering |
| 引针尺寸 Pin dimensions [mm]                              | 1.0*1.0        |
| PCB板孔径 PCB Hole Diameter [mm]                         | Ø1.7           |

尺寸图

PCB开孔图



### 适配产品



WJ2EDGK-7.5



WJ2EDGKA-7.5



WJ2EDGKB-7.5



WJ2EDGKD-7.5