



额定电流: 55A

额定电压: 600V

使用线径: 20-6AWG

间距:10.16mm



目录仅供参考，实际规格依产品工程图为准 版本1.0

技术数据-UL/CUL

等级 Use Group	B	C	D
额定电压 Rate Voltage [V]	600	600	600
额定电流 Rated Current [A]	55	55	5
接线范围 Wire Range [AWG]	20-6		
耐电压 Dielectric Voltage-Withstand	2.2KV		

技术参数-IEC

过电压类别 Overvoltage Category	III	III	II
污染等级 Contamination Class	3	2	2
额定电压 Rated Voltage [V]	1000	1000	1000
额定电流 Rated Current [A]	76	76	76
额定冲击电压 Impulse withstand voltage [KV]	8	8	6

导线截面积[硬/柔] Conductor cross section [mm²]

0.5-16

材料 Material

绝缘材料 Insulation Material

PA66

阻燃等级 Flame retardant rating

UL94V-0

导体材料 Conductor Material

Copper alloy

导体表面镀层 Plating of conductor surface

Sn plated

一般参数 Other Date

间距/极数 Pitch/Poles [mm]/[P]

10.16/2-16

剥线长度 Stripping Length [mm]

13-14

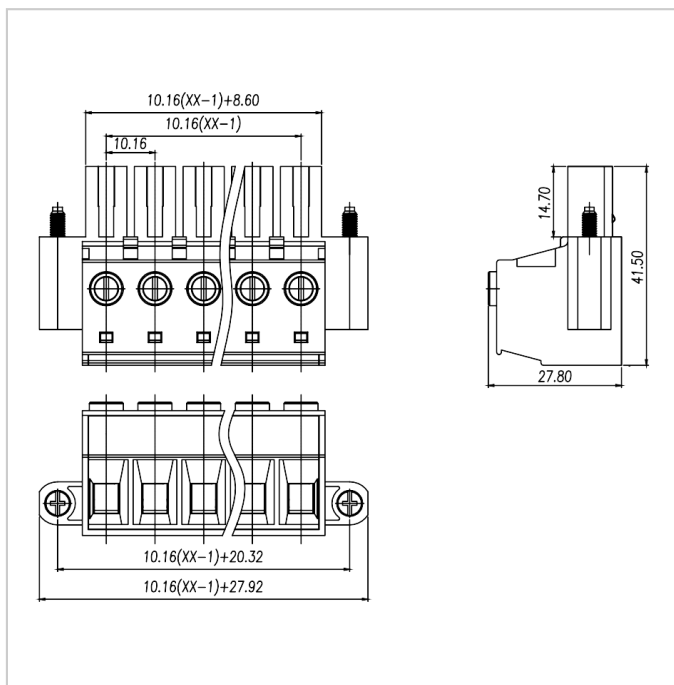
螺丝/扭矩 Screw/Torque(Max)[N.m]

M4/1.2

工作温度 Operating temperature [°C]

-40 ~ +105

尺寸图



适配产品



WJ3EDGVM-10.16



WJ3EDGRM-10.16



WJ3EDGRRM-10.16