

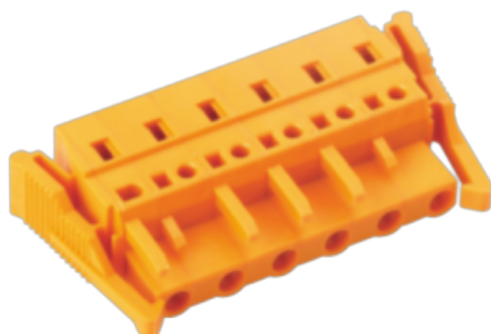
额定电流: 15A

额定电压: 300V

使用线径: 28-12AWG

间距:7.62mm

目录仅供参考，实际规格依产品工程图为准 版本1.0



### 技术数据-UL/CUL

等级 Use Group	B	C	D
额定电压 Rate Voltage [V]	300	-	300
额定电流 Rated Current [A]	15	-	10
接线范围 Wire Range [AWG]	28 ~ 12		

耐电压 Dielectric Voltage-Withstand	1.6KV
----------------------------------	-------

### 技术参数-IEC

过电压类别 Overvoltage Category	III	III	II
污染等级 Contamination Class	3	2	2
额定电压 Rated Voltage [V]	320	320	630
额定电流 Rated Current [A]	16	16	16
额定冲击电压 Impulse withstand voltage [KV]	6	6	6
导线截面积[硬/柔] Conductor cross section [mm <sup>2</sup> ]	0.25-2.5		

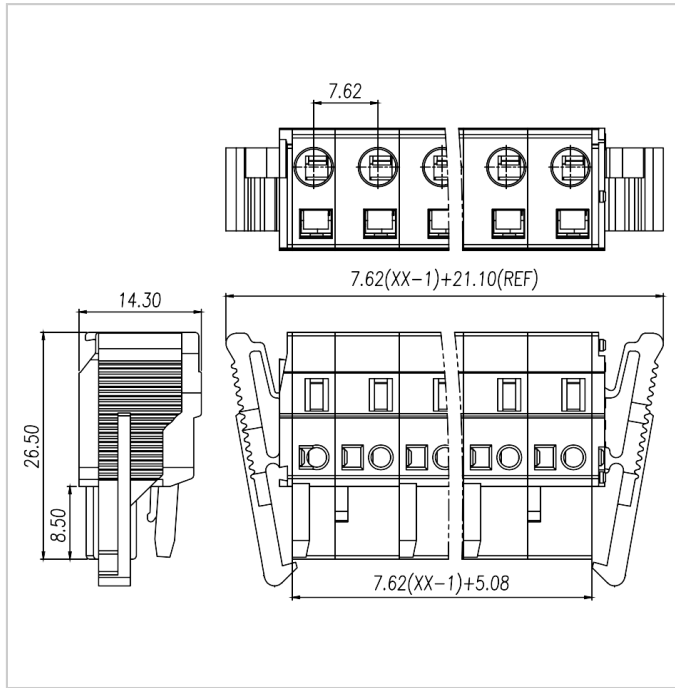
### 材料 Material

绝缘材料 Insulation Material	PA66
阻燃等级 Flame retardant rating	UL94V-0
导体材料 Conductor Material	Copper alloy
导体表面镀层 Plating of conductor surface	Sn plated

### 一般参数 Other Date

间距/极数 Pitch/Poles [mm]/[P]	7.62/2-24
剥线长度 Stripping Length [mm]	8-9
螺丝/扭矩 Screw/Torque(Max)[N.m]	-
工作温度 Operating temperature [°C]	-40 ~ +105

### 尺寸图



适配产品



WJ0702-01XX



WJ0702-02XX



WJ0702-03XX



WJ0702-04XX



WJ0703-01XX



WJ0703-02XX



WJ0703-03XX