

额定电流: 4A

额定电压: 150V

使用线径: 28-20AWG

间距:2.5mm



目录仅供参考，实际规格依产品工程图为准 版本1.0

## 技术数据-UL/CUL

等级 Use Group	B	C	D
额定电压 Rate Voltage [V]	150	-	-
额定电流 Rated Current [A]	4	-	-
接线范围 Wire Range [AWG]	28-20		
耐电压 Dielectric Voltage-Withstand	1.3KV		

## 技术参数-IEC

过电压类别 Overvoltage Category	III	III	II
污染等级 Contamination Class	3	2	2
额定电压 Rated Voltage [V]	100	160	320
额定电流 Rated Current [A]	6	6	6
额定冲击电压 Impulse withstand voltage [KV]	2.5	2.5	2.5

导线截面积[硬/柔] Conductor cross section [mm<sup>2</sup>]

0.25-0.5

## 材料 Material

绝缘材料 Insulation Material

PA66

阻燃等级 Flame retardant rating

UL94V-0

导体材料 Conductor Material

Copper alloy

导体表面镀层 Plating of conductor surface

Sn plated

## 一般参数 Other Date

间距/极数 Pitch/Poles [mm]/[P]

2.5/2-12

剥线长度 Stripping Length [mm]

5-6

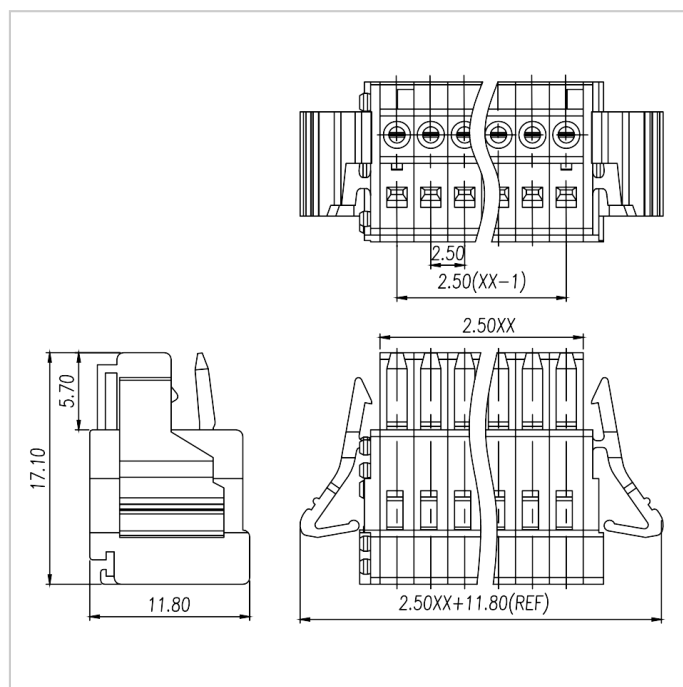
螺丝/扭矩 Screw/Torque(Max)[N.m]

-

工作温度 Operating temperature [°C]

-40 ~ +105

## 尺寸图



## 适配产品



WJ0102-01XX



WJ0102-02XX



WJ0103-01XX