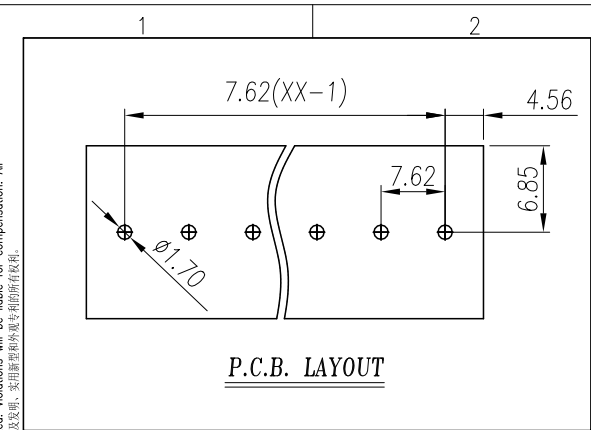
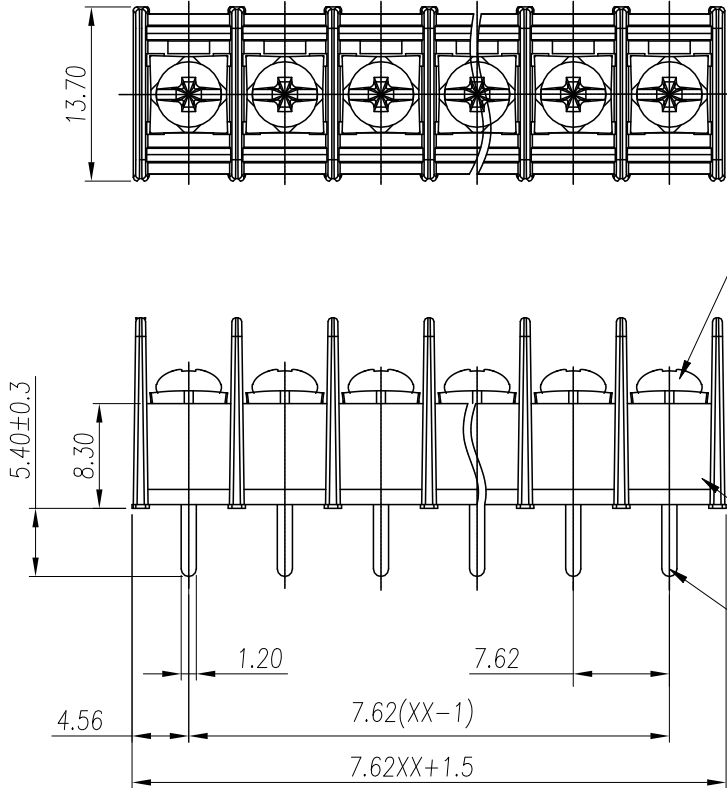
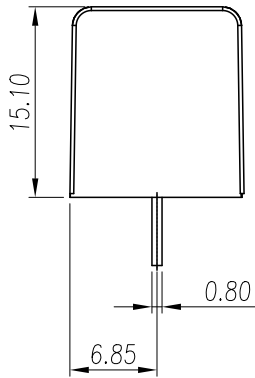


Transfer or duplication of this document as well as the utilization or communication of its contents are prohibited unless explicit authorization is granted. Violations will be liable for compensation. All rights reserved for patent, utility model or designs registrations. 除非给予明确授权, 否则禁止复制、复制、利用、交流本文档的内容。 未经许可擅自复制或传播, 公司将依法追究及索赔。 未经许可擅自复制或传播, 公司将依法追究及索赔。



REVISION RECORD				
REV.	DESCRIPTION	ECN No.	APPROVED	DATE
V0	新发行		ZhaoXY	24.04.01



- 电气性能/Electrical
- 额定电压 /Rated voltage 300V
 - 额定电流 /Rated current 20A
 - 接触电阻 /Contact resistance 20mΩ
 - 绝缘电阻 /Insulation resistance 500MΩ/DC500V
 - 使用线径 /Wire range 22~14AWG
 - 耐电压 /With standing voltage AC 1600V/1 Min
- 机械性能/Mechanica
- 扭矩/Torque 0.5Nm(4.5Lb.in)
 - 温度范围 /Temp.Range -40°C~+105°C
 - 瞬时温度 /MAX Soldering +260°C, for 5 Sec
- 尺寸/Dimensions
- 间距/Pitch 7.62mm
 - 极数/Poles 2~26p

ITEM	NAME OF PART	MATERIAL	NOTES
3	Pin Header	Copper Alloy	Sn Plated
2	Screws	Steel	M3 Steel Ni plated
1	Housing	PA66	UL94V-0

General Tolerances							—	∠	⊥	
variable range	to	over 6 to 10	over 10 to 30	over 30 to 60	over 60 to 100	over 100 to 160	to 10	over 10 to 100	over 100 to	
tolerance	±0.20	±0.30	±0.50	±0.70	±1.00	±1.30	±1.60	0.10	0.30	0.60

DES.	ZhaoXY	DATE	24.04.01	UNITS	mm	THIRD ANGLE PROJECTION	
CHK.	HuHT	DATE	24.04.01	SIZE	A4	TYPE: CUSTOMER DRAWING	SHEET 1 of 1
APP.	Jason	DATE	24.04.01	SCALE	2:1	DRAWING TYPE: SP-03	REV V1
慈溪市万捷电子有限公司 CIXI WANJIE ELECTRONIC CO., LTD						PART NO.: WJ25C-XXP-1Y-00A	