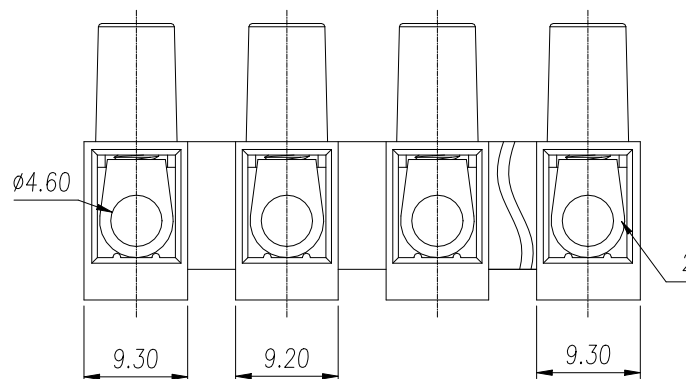
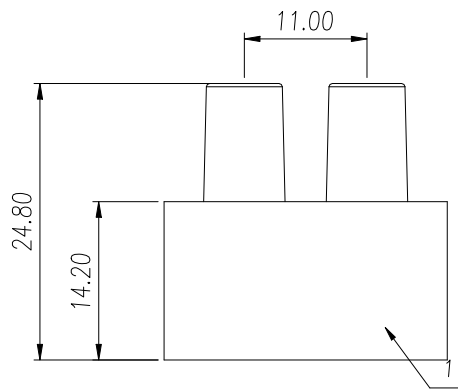
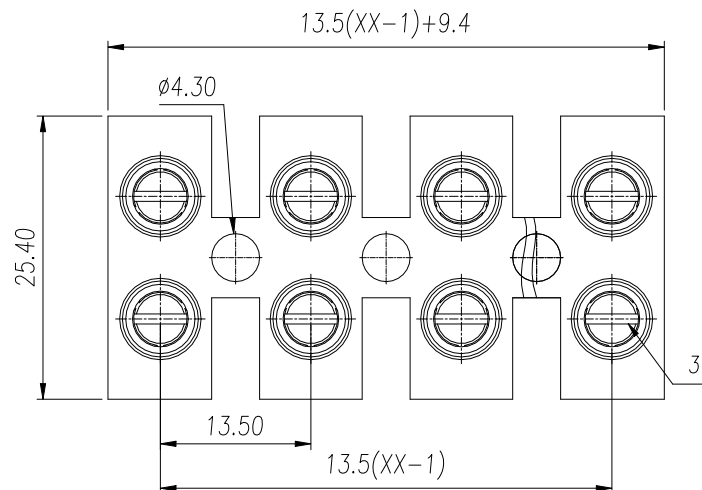


REVISION RECORD

REV.	DESCRIPTION	ECN No.	APPROVED	DATE
V0	新发行		WangP	23.10.20



参考标准/ Standard	UL	IEC
额定电压/ Rated voltage	600V	750V
额定电流/ Rated current	50A	57A
接触电阻/ Contact resistance	20mΩ	
绝缘电阻/ Insulation resistance	500MΩ /DC500V	
使用线径/ Wire range	20~8AWG	10mm ²
耐电压/ Wrth standing voltage	AC 2200V/1 Min	
机械性能/ Mechanical		
扭矩/ Torque	1.2Nm(10.8Lb.in)	
温度范围/ Temp.Range	-40°C~+105°C	
剥线长度/ Steip Length	7-8mm	
尺寸/ Dimensions		
间距/ Pitch	13.5mm	
极数/ Poles	2~12p	

General Tolerances

	—							∠		⊥
variable range	to 6	over 6 to 10	over 10 to 30	over 30 to 60	over 60 to 100	over 100 to 160	over 160 to 10	over 10 to 100	over 100 to 100	
tolerance	±0.20	±0.30	±0.50	±0.70	±1.00	±1.30	±1.60	0.10	0.30	0.60

DES.	WangP	DATE	23.10.20	UNITS	mm	THIRD ANGLE PROJECTION		
CHK.	YangHJ	DATE	23.10.20	SIZE	A4	TYPE: CUSTOMER DRAWING	SHEET 1 of 1	
APP.	JASON	DATE	23.10.20	SCALE	1.5:1	DRAWING TYPE: SP-03	REV	V0
1	Housing	PA66	UL94V-2	慈溪市万捷电子有限公司 CIXI WANJIE ELECTRONIC CO., LTD		PART NO.: MY14H-1.2-13.5-XXP-1Y-00A		
ITEM	NAME OF PART	MATERIAL	NOTES					

Transfer or duplication of this document as well as the utilization or communication of its contents are prohibited unless explicit authorization is granted. Violations will be liable for compensation. All rights reserved for patent, utility model or designs registrations. 除非给予明确授权，否则禁止转让、复制、利用、交流本文件的内容。侵犯者须承担赔偿责任。使用新型和外观专利的所有权利。