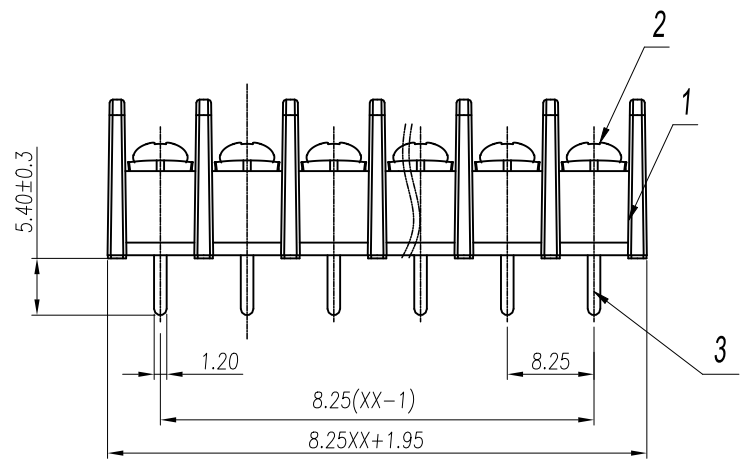
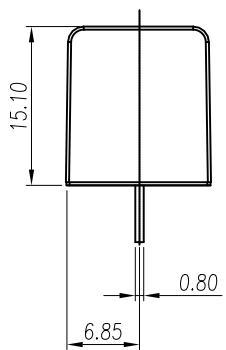
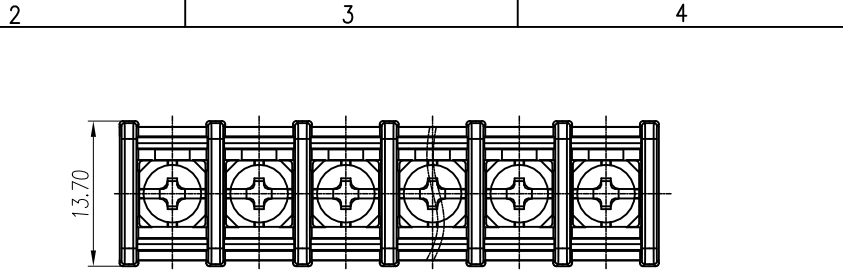
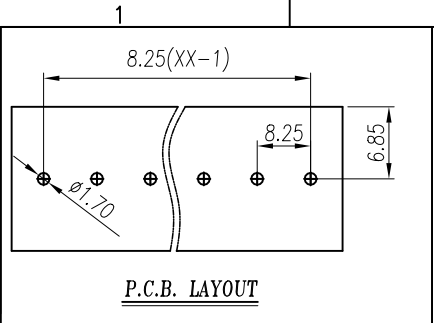


Transfer or duplication of this document as well as the utilization or communication of its contents are prohibited unless explicit authorization is granted. Violations will be liable for compensation. All rights reserved for patent, utility model or designs registrations. 除非经书面同意授权，否则禁止以任何形式、复制或利用、交还本文档的内容。未经授权擅自复制或交还，使用者将承担相关法律责任。



REVISION RECORD				
REV.	DESCRIPTION	ECN No.	APPROVED	DATE
V0	新发行		ZhaoXY	24.04.01

电气性能/Electrical
 额定电压 /Rated voltage 300V
 额定电流 /Rated current 15A
 接触电阻 /Contact resistance 20mΩ
 绝缘电阻 /Insulation resistance 500MΩ/DC500V
 使用线径 /Wire range 22~12AWG
 耐电压 /With standing voltage AC 1600V/1 Min
 机械性能/Mechanica
 扭 矩/Torque 0.5Nm(4.5Lb.in)
 温度范围 /Temp.Range -40°C~+105°C
 瞬时温度 /MAX Soldering +260°C, for 5 Sec
 尺 寸/Dimensions
 间 距/Pitch 8.25mm
 极 数/Poles 2~26p

3	Pin Header	Copper Alloy	Sn Plated
2	Screws	Steel	M3 Steel Ni plated
1	Housing	PA66	UL94V-0
ITEM	NAME OF PART	MATERIAL	NOTES

General Tolerances							—	∠	⊥	
variable range	to	over 6 to 10	over 10 to 30	over 30 to 60	over 60 to 100	over 100 to 160	to 10	over 10 to 100	over 100 to 600	
tolerance	±0.20	±0.30	±0.50	±0.70	±1.00	±1.30	±1.60	0.10	0.30	0.60

DES.	ZhaoXY	DATE	24.04.01	UNITS	mm	THIRD ANGLE PROJECTION	
CHK.	HuHT	DATE	24.04.01	SIZE	A4	TYPE: CUSTOMER DRAWING	SHEET 1 of 1
APP.	Jason	DATE	24.04.01	SCALE	2:1	DRAWING TYPE: SP-03	REV V1
慈溪市万捷电子有限公司 CIXI WANJIE ELECTRONIC CO., LTD						PART NO.: WJ35C-XXP-1Y-00A	