

WANJIE



慈溪市万捷电子有限公司

地址: 中国浙江省慈溪市逍林镇樟新南路219号
邮编: 315321
电话: +86-574-63510583 63510584 63516866
传真: +86-574-63510580 63519360
网址: <http://www.china-wj.com>
邮箱: cjw@china-wj.com

CIXI WANJIE ELECTRONIC CO., LTD.

Add.: #219, Zhangxin South Rd, Xiaolin Town, Cixi,
Zhejiang, China. P.C: 315321
Tel: +86-574-63510582 63510586
Fax: +86-574-63507658 63510580
Website: <http://www.china-wj.com>
E-mail: cjw@china-wj.com

慈溪市万捷电子有限公司



UL CE CCC Ex RoHS ISO14001 ISO45001 ISO9001 ISO80079-34 ISO/TS 22163



WANJIE 万捷电子

ELECTRONIC

VERSION 1.1

CIXI WANJIE ELECTRONIC CO., LTD.

Terminal Block Manufacturer

接线端子专业制造商

企业简介 接线端子专业制造商

万捷电子创建于1992年，2000年正式注册为慈溪市万捷电子有限公司。公司坐落于浙江慈溪，占地面积15000平方米。万捷是一家从事接线端子研发、设计、加工、生产、销售及一体化服务的专业制造商。产品包含螺钉式PCB接线端子、插拔式接线端子、弹簧PCB式接线端子、贯通式接线端子、栅栏式接线端子、轨道式接线端子、圆形连接器等系列；广泛应用与电力控制、自动化控制、电梯、仪器仪表、通讯、电源、安防、照明、轨道交通等相关领域。

公司通过ISO9001、ISO14001、ISO45001、ISO80079-34、IATF16949、ISO/TS 22163等体系认证，并通过UL、CUL、VDE、EX、CQC、CE、ROHS、REACH等相关产品认证，取得多种专利证书。

公司拥有优秀的管理团队、专业研发和品保团队，先进的加工生产设备和完善的品质检验体系，先进的检验设备及UL和VDE-TDAP目击实验室，确保产品的品质达到相关标准要求及适用的法律法规的需求。利用ERP/OA网络办公资源，不断提升内部的办公效率、流程化和标准化，通过降低浪费和降本增效来提高公司在国际、国内市场的适应能力与生存能力。

经过20多年的发展产品畅销于世界几十个国家，“万捷品牌”得到了客户的一致好评，并在国内取得了诚信企业、和谐企业、劳动保障管理等多个荣誉证书。

BRIEF INTRODUCTION



WANJIE ELECTRONIC was founded in 1992 and officially registered as CIXI WANJIE Electronics Co., Ltd. in 2000. The company is located in CIXI, Zhejiang, covering an area of 15,000 square meters. WANJIE is a professional manufacturer engaged in the research and development, design, processing, production, sales and service of terminal blocks. Products include screw type PCB, plug-in, spring type PCB, feed through, barrier, din rail, circular connectors etc series; Products widely used in power control, automation control, elevator, instrumentation, communication, power supply, security, lighting, rail transit and other related fields. The company has passed ISO9001, ISO14001, ISO45001, ISO80079-34, IATF16949, ISO/TS 22163 etc management system and products passed UL, CUL, VDE, EX, CQC, CE, ROHS, REACH etc related certification, also obtained a variety of patent.

The company has an excellent management team, professional R&D and quality assurance team, advanced processing and production equipment and a complete quality inspection system, advanced inspection equipment and UL & VDE-TDAP witness laboratories to ensure that the quality of products meet relevant standard and the requirement of law and regulations. Use ERP/OA network office software to continuously improve the internal office efficiency, process and standardization and also improve the company's adaptability and viability in the international and domestic market by reducing waste and cost.

The products have been sold well in dozens of countries after more than 20 years development, and "WANJIE brand" get unanimous praise from customers and company also obtained Integrity enterprise, harmonious enterprise, labor security company etc a number of honorary certificates.





万捷电子诚邀国内外行业精英，设立研发中心，建立技术创新平台。基于此研发和技术创新平台，公司对市场做出更快速的反应、集成多方资源，为国内外客户提供最直接、最优质的技术支持等服务。

万捷电子将研发与市场的需求紧密相结合，与最终用户共同合作，创造出具有国际竞争力的产品。

WANJIE Company invites many industry elites to set up R&D center, and establish the technological innovation platform, basing on the platform, we can make faster reaction on the market, and integrate all resources to provide the market, and integrate all resources to provide the most direct and best service for all of our customers.

WANJIE Company also make a closely integration between research and market, and cooperate with end customers, to create an international competitive products.



研发创新 R&D INNOVATION

接线端子专业制造商

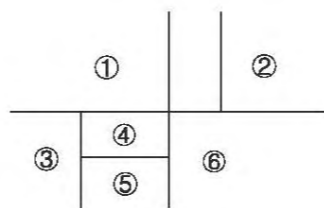


生产设备 PRODUCTION EQUIPMENT

接线端子专业制造商



- ① 注塑车间
Injection workshop
- ② 组装流水线
Assembly line
- ③ AQ400Ls 慢走丝
AQ400Ls wedm-ls
- ④ 冲压车间
Stamping Workshop
- ⑤~⑥ 自动生产线
Automatic production line



检测设备 TESTING EQUIPMENT

接线端子专业制造商



万捷电子拥有领先的生产设备，丰富专业知识和经验的研发团队，公司本着对完美品质的不懈追求，在塑料成型，金属加工，产品装配等每个环节上严格贯彻ISO9001质量体系，并采用国际先进的检测设备对产品进行相关的性能测试，最大限度满足客户的需求。

WANJIE Company has advanced production equipment, a wealth of professional knowledge and experience to ensure the coordination between development and production. Based on the pursuit of perfect quality, we implement the ISO9001 Quality Control System in the each step, such as, the plastic housing processing, metal parts production, surface treatment, assemble and so on. On the other hand, we adopt the advance testing equipment to make systematic testing in each circle in the production, so that to meet the exacting demands of customers.

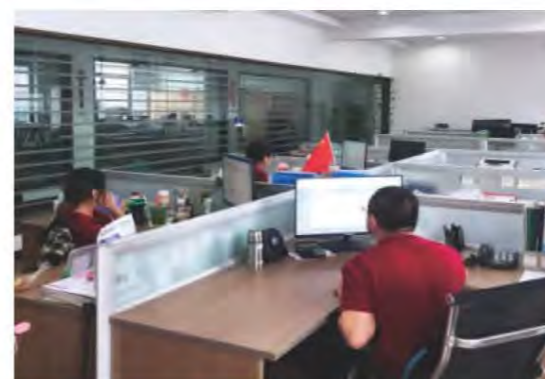
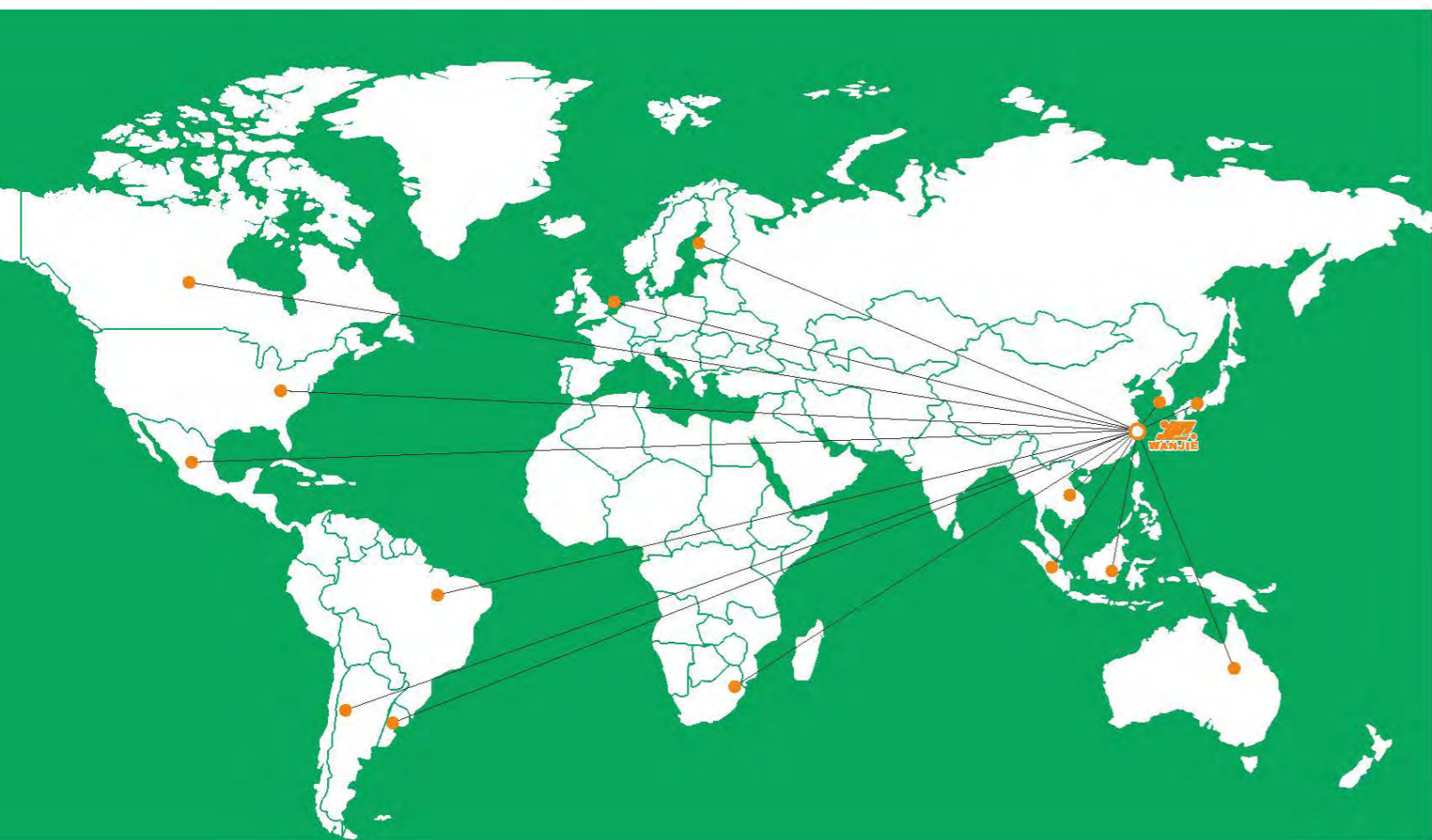


销售网络 MARKETING NETWORK

接线端子专业制造商

万捷电子经过多年的发展，以高质量的产品，优质的服务和强大的物流体系，获得客户的信赖，并在全球建立了全面的销售网络，以便我们能及时与客户沟通和提供服务，达到合作共赢，共同发展。

Through many years development, basing on high quality and excellent service, we have established a comprehensive sales network in the world, we also built lots of offices in many regions so that we can make a timely communication with customers, and provide a good promise and guarantee accordingly.



OUR ETERNAL PURPOSE:

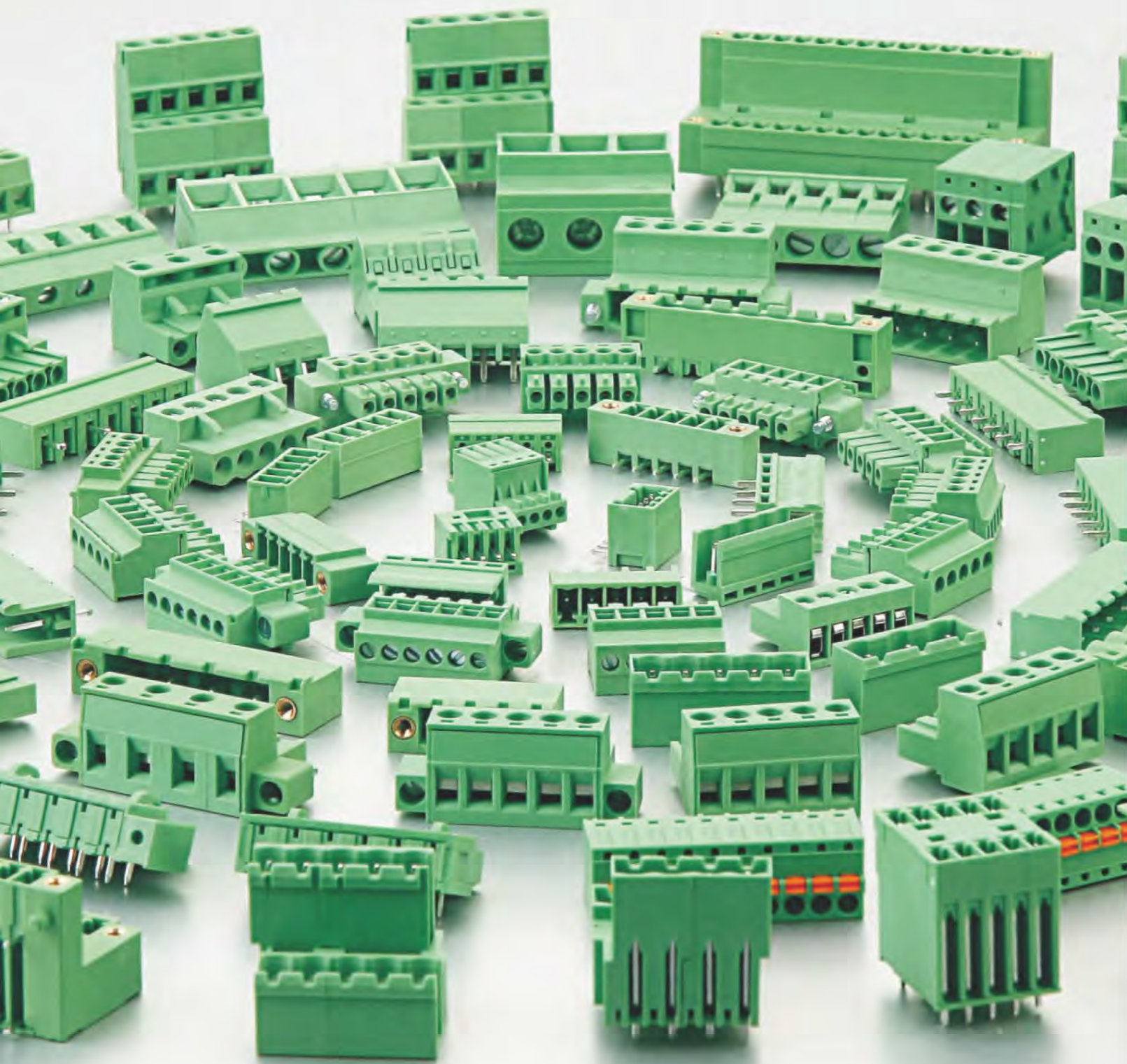
Excellence, quality first, service-oriented, continuous improvement and customer satisfaction

我们的宗旨:

精益求精，质量为先，服务第一，持续改善，顾客满意

产品目录 PRODUCT CONTENTS

接线端子专业制造商



螺钉式PCB接线端子 PCB SCREW TERMINAL BLOCK

订购方式/HOW TO ORDER:

Model Pole Pitch Color

0 未定义 No definition	1 灰色 Grey	4 绿色 Green	7 透明 Transp.
1 单倍间距 Single pitch	2 蓝色 Blue	5 橙色 Orange	8 黄色 Yellow
2 双倍间距 Double pitch	3 黑色 Black	6 红色 Red	9 白色 White

P013-046



插拔式接线端子 PLUG-IN TERMINAL BLOCK

订购方式/HOW TO ORDER:

Model Pole Pitch Color

0 未定义 No definition	1 灰色 Grey	4 绿色 Green	7 透明 Transp.
1 单倍间距 Single pitch	2 蓝色 Blue	5 橙色 Orange	8 黄色 Yellow
2 双倍间距 Double pitch	3 黑色 Black	6 红色 Red	9 白色 White

P047-174



弹簧式PCB接线端子 PCB SPRING TERMINAL BLOCK

订购方式/HOW TO ORDER:

Model Pole Pitch Color

0 未定义 No definition	1 灰色 Grey	4 绿色 Green	7 透明 Transp.
1 单倍间距 Single pitch	2 蓝色 Blue	5 橙色 Orange	8 黄色 Yellow
2 双倍间距 Double pitch	3 黑色 Black	6 红色 Red	9 白色 White

P175-210



插拔式接线端子 PLUG-IN TERMINAL BLOCK

订购方式/HOW TO ORDER:

Model Pole Pitch Color

0 未定义 No definition	1 灰色 Grey	4 绿色 Green	7 透明 Transp.
1 单倍间距 Single pitch	2 蓝色 Blue	5 橙色 Orange	8 黄色 Yellow
2 双倍间距 Double pitch	3 黑色 Black	6 红色 Red	9 白色 White

P211-244



贯通式接线端子 FEED THROUGH TERMINAL BLOCK

订购方式/HOW TO ORDER:

Model Pole Pitch Color

0 未定义 No definition	1 灰色 Grey	4 绿色 Green	7 透明 Transp.
1 单倍间距 Single pitch	2 蓝色 Blue	5 橙色 Orange	8 黄色 Yellow
2 双倍间距 Double pitch	3 黑色 Black	6 红色 Red	9 白色 White

P244-250



栅栏式接线端子 BARRIER TERMINAL BLOCK

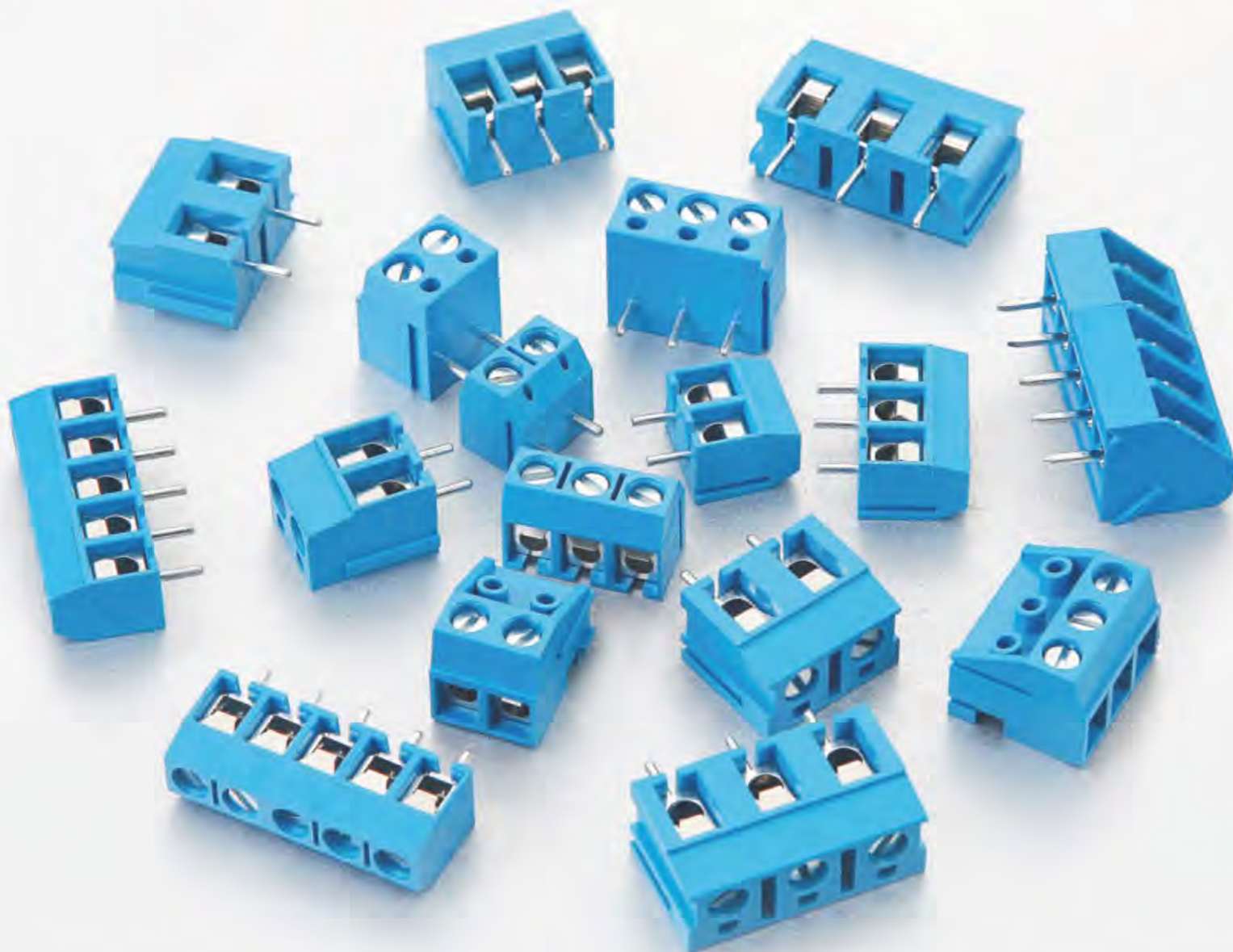
订购方式/HOW TO ORDER:

Model Pole Pitch Color

0 未定义 No definition	1 灰色 Grey	4 绿色 Green	7 透明 Transp.
1 单倍间距 Single pitch	2 蓝色 Blue	5 橙色 Orange	8 黄色 Yellow
2 双倍间距 Double pitch	3 黑色 Black	6 红色 Red	9 白色 White

P251-302

更多详细信息请来电咨询或登录网站 www.china-wj.com 查询。

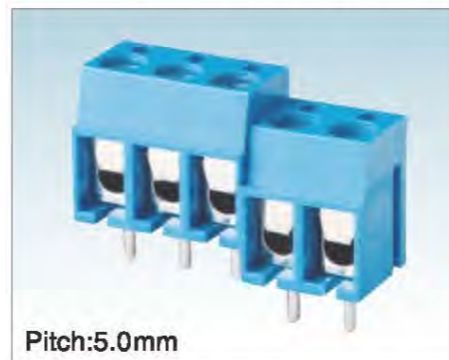


螺钉式PCB接线端子 PCB SCREW TERMINAL BLOCK

螺钉式PCB接线端子，结构设计兼顾了接线方便，螺钉连接牢固的特点，可以连接截面为0.08mm²至35mm²的所有类型的导线，间距2.54mm至15.0mm可供选择。产品设计符合IEC60947、UL1059、CSA C22.2 No.158等国际标准。

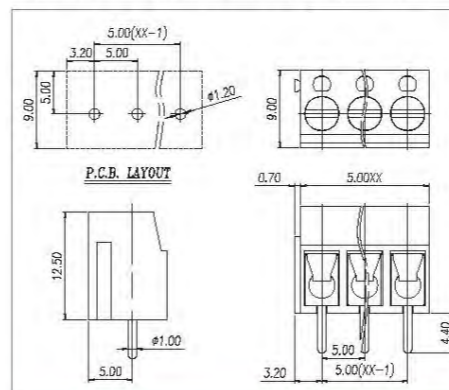
PCB universal screw terminal blocks, this typical feature of the screw connection system is characterized by the easy connection and extremely high contact strengths. Provide the wire size from 0.08mm² to 35mm², Available with different pitches from 2.54mm to 15.0mm. The product is designed in accordance with IEC 60947, UL1059, CSA C22.2 NO.158 standards.

ISO14001 ISO45001 ISO9001 ISO80079-34 ISO/TS 22163



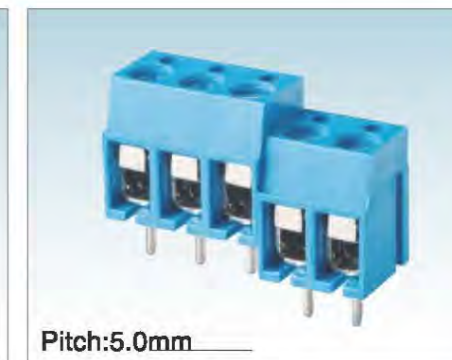
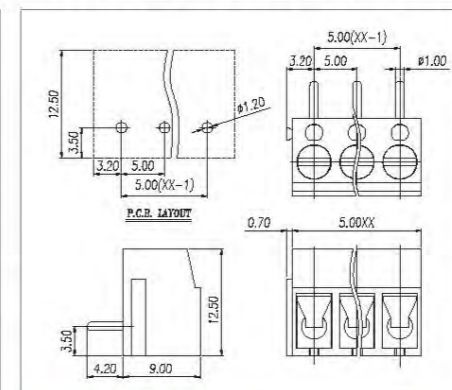
Pitch:5.0mm
WJ300-5.0

UL/CUL 技术参数 UL/CUL Technical Data		UL		
等级	Use Group	B	C	D
额定电压	Rated Voltage [V]	250	-	250
额定电流	Rated Current [A]	16	-	10
接线范围 Wire Range	单芯线 Solid [AWG]	22~14		
	多芯线 Stranded [AWG]	22~14		
耐压	Dielectric Voltage-Withstand	1.5KV		
IEC 技术参数 IEC Technical Data		IEC		
过电压类别	Overvoltage Category	II	III	II
污染等级	Contamination Class	3	2	2
额定电压	Rated Voltage [V]	250	400	630
额定电流	Rated Current [A]	24	24	24
额定冲击电压	Impulse withstand voltage [KV]	4	4	4
导线截面积 Conductor cross section	硬质导线 Solid [mm ²]	0.5~2.5		
	柔性导线 Flexible [mm ²]	0.5~2.5		
材料 Material		PA66		
绝缘材料	Insulation Material	PA66		
阻燃等级	Flame retardant rating	UL94V-0		
导体材料	Conductor Material	Copper alloy		
导体表面镀层	Plating of conductor surface	Sn plated		
一般参数 Other Data		5.0/2~24		
间距/极数	Pitch/Poles [mm]/[P]	5.0/2~24		
剥线长度	Stripping Length [mm]	5~6		
螺丝/扭矩	Screw/Torque(Max) [N.m]	M3/0.5		
工作温度	Operating temperature [°C]	-40~+105		
焊锡温度	Soldering temperature	260°C /5S		
引针尺寸	Pin dimensions [mm]	Ø1.0		
PCB板孔径	PCB Hole Diameter [mm]	Ø1.2		



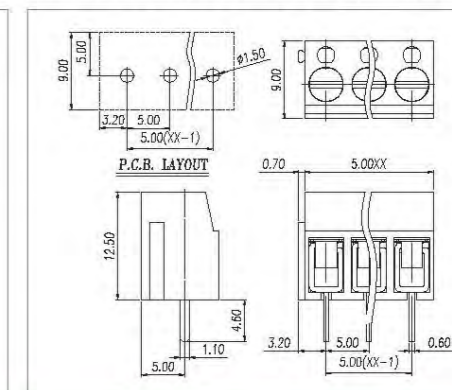
Pitch:5.0mm
WJ300R-5.0

UL/CUL 技术参数 UL/CUL Technical Data		UL		
等级	Use Group	B	C	D
额定电压	Rated Voltage [V]	250	-	250
额定电流	Rated Current [A]	16	-	10
接线范围 Wire Range	单芯线 Solid [AWG]	22~14		
	多芯线 Stranded [AWG]	22~14		
耐压	Dielectric Voltage-Withstand	1.5KV		
IEC 技术参数 IEC Technical Data		IEC		
过电压类别	Overvoltage Category	II	III	II
污染等级	Contamination Class	3	2	2
额定电压	Rated Voltage [V]	250	400	630
额定电流	Rated Current [A]	24	24	24
额定冲击电压	Impulse withstand voltage [KV]	4	4	4
导线截面积 Conductor cross section	硬质导线 Solid [mm ²]	0.5~2.5		
	柔性导线 Flexible [mm ²]	0.5~2.5		
材料 Material		PA66		
绝缘材料	Insulation Material	PA66		
阻燃等级	Flame retardant rating	UL94V-0		
导体材料	Conductor Material	Copper alloy		
导体表面镀层	Plating of conductor surface	Sn plated		
一般参数 Other Data		5.0/2~24		
间距/极数	Pitch/Poles [mm]/[P]	5.0/2~24		
剥线长度	Stripping Length [mm]	5~6		
螺丝/扭矩	Screw/Torque(Max) [N.m]	M3/0.5		
工作温度	Operating temperature [°C]	-40~+105		
焊锡温度	Soldering temperature	260°C /5S		
引针尺寸	Pin dimensions [mm]	Ø1.0		
PCB板孔径	PCB Hole Diameter [mm]	Ø1.2		



Pitch:5.0mm
WJ305-5.0

UL/CUL 技术参数 UL/CUL Technical Data		UL		
等级	Use Group	B	C	D
额定电压	Rated Voltage [V]	250	-	250
额定电流	Rated Current [A]	16	-	10
接线范围 Wire Range	单芯线 Solid [AWG]	22~14		
	多芯线 Stranded [AWG]	22~14		
耐压	Dielectric Voltage-Withstand	1.5KV		
IEC 技术参数 IEC Technical Data		IEC		
过电压类别	Overvoltage Category	II	III	II
污染等级	Contamination Class	3	2	2
额定电压	Rated Voltage [V]	250	400	630
额定电流	Rated Current [A]	24	24	24
额定冲击电压	Impulse withstand voltage [KV]	4	4	4
导线截面积 Conductor cross section	硬质导线 Solid [mm ²]	0.5~2.5		
	柔性导线 Flexible [mm ²]	0.5~2.5		
材料 Material		PA66		
绝缘材料	Insulation Material	PA66		
阻燃等级	Flame retardant rating	UL94V-0		
导体材料	Conductor Material	Copper alloy		
导体表面镀层	Plating of conductor surface	Sn plated		
一般参数 Other Data		5.0/2~24		
间距/极数	Pitch/Poles [mm]/[P]	5.0/2~24		
剥线长度	Stripping Length [mm]	5~6		
螺丝/扭矩	Screw/Torque(Max) [N.m]	M2.5/0.3		
工作温度	Operating temperature [°C]	-40~+105		
焊锡温度	Soldering temperature	260°C /5S		
引针尺寸	Pin dimensions [mm]	0.6*1.1		
PCB板孔径	PCB Hole Diameter [mm]	Ø1.5		

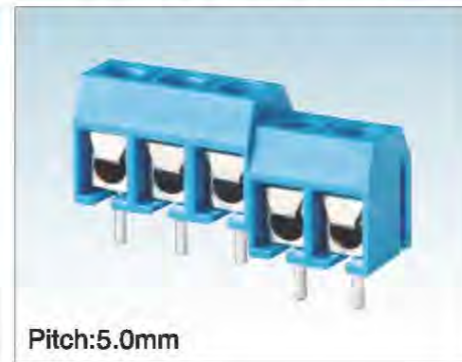




Pitch:7.5mm



Pitch:7.5mm



Pitch:5.0mm



Pitch:5.0mm



Pitch:5.0mm



Pitch:3.5mm

WJ370-7.5

WJ375-7.5

WJ301-5.0

WJ301R-5.0

WJ302S-5.0

WJ303-3.5

UL/CUL 技术参数		UL/CUL Technical Data	
等级 Use Group	B C D	B	C D
额定电压 Rated Voltage [V]	250 - 250	250	- 250
额定电流 Rated Current [A]	16 - 10	16	- 10
接线范围 Wire Range	单芯线 Solid [AWG]	22~14	
	多芯线 Stranded [AWG]	22~14	
耐电压 Dielectric Voltage-Withstand	1.5KV		
IEC 技术参数		IEC Technical Data	
过电压类别 Overvoltage Category	III IIII IIII	III	IIII IIII
污染等级 Contamination Class	3 2 2	3	2 2
额定电压 Rated Voltage [V]	250 400 630	250	400 630
额定电流 Rated Current [A]	24 24 24	24	24 24
额定冲击电压 Impulse withstand voltage [KV]	6 6 6	6	6 6
导线截面积 Conductor cross section	硬质导线 Solid [mm ²]	0.5~2.5	
	柔性导线 Flexible [mm ²]	0.5~2.5	
材料 Material		Material	
绝缘材料 Insulation Material	PA66	PA66	PA66
阻燃等级 Flame retardant rating	UL94V-0	UL94V-0	UL94V-0
导体材料 Conductor Material	Copper alloy	Copper alloy	Copper alloy
导体表面镀层 Plating of conductor surface	Sn plated	Sn plated	Sn plated
一般参数 Other Data		Other Data	
间距/极数 Pitch/Poles [mm]/[P]	7.5/2~24	7.5/2~24	7.5/2~24
剥线长度 Stripping Length [mm]	5~6	5~6	5~6
螺丝/扭矩 Screw/Torque(Max) [N.m]	M3/0.5	M2.5/0.3	M2.5/0.4
工作温度 Operating temperature [°C]	-40~+105	-40~+105	-40~+105
焊接温度 Soldering temperature	260°C /5S	260°C /5S	260°C /5S
引针尺寸 Pin dimensions [mm]	Ø1.0	Ø1.0	Ø1.0
PCB板孔径 PCB Hole Diameter [mm]	Ø1.2	Ø1.2	Ø1.2

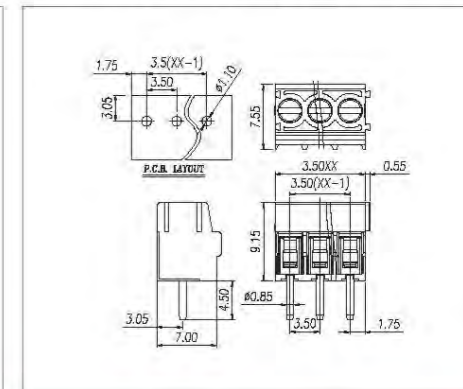
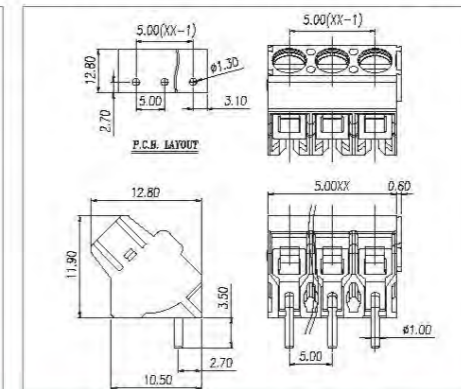
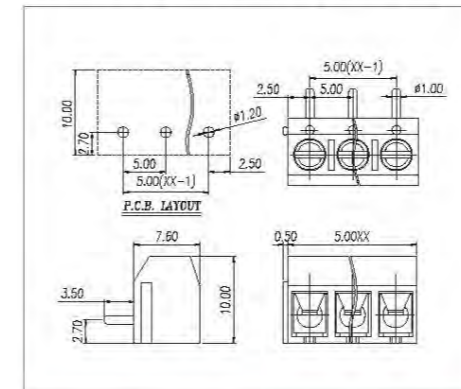
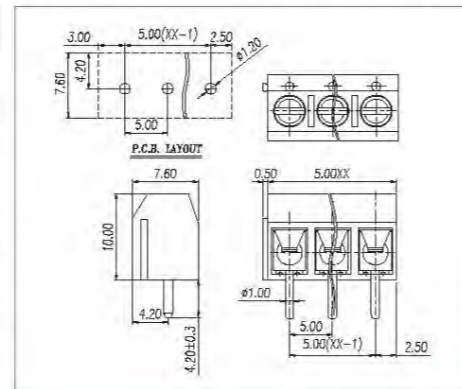
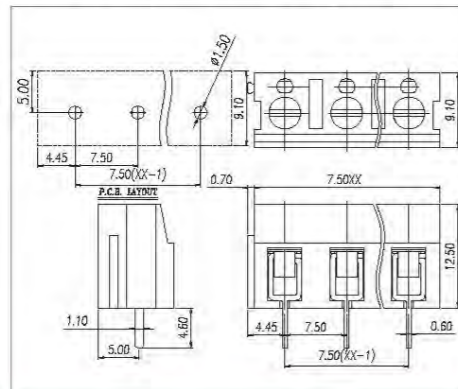
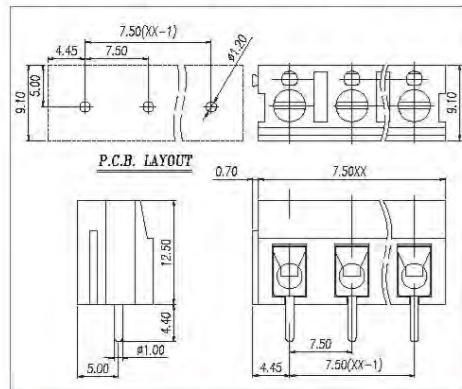
UL/CUL 技术参数		UL/CUL Technical Data	
等级 Use Group	B C D	B	C D
额定电压 Rated Voltage [V]	250 - 250	250	- 250
额定电流 Rated Current [A]	16 - 10	16	- 10
接线范围 Wire Range	单芯线 Solid [AWG]	22~14	
	多芯线 Stranded [AWG]	22~14	
耐电压 Dielectric Voltage-Withstand	1.5KV		
IEC 技术参数		IEC Technical Data	
过电压类别 Overvoltage Category	III IIII IIII	III	IIII IIII
污染等级 Contamination Class	3 2 2	3	2 2
额定电压 Rated Voltage [V]	250 400 630	250	400 630
额定电流 Rated Current [A]	24 24 24	24	24 24
额定冲击电压 Impulse withstand voltage [KV]	4 4 4	4	4 4
导线截面积 Conductor cross section	硬质导线 Solid [mm ²]	0.5~2.5	
	柔性导线 Flexible [mm ²]	0.5~2.5	
材料 Material		Material	
绝缘材料 Insulation Material	PA66	PA66	PA66
阻燃等级 Flame retardant rating	UL94V-0	UL94V-0	UL94V-0
导体材料 Conductor Material	Copper alloy	Copper alloy	Copper alloy
导体表面镀层 Plating of conductor surface	Sn plated	Sn plated	Sn plated
一般参数 Other Data		Other Data	
间距/极数 Pitch/Poles [mm]/[P]	7.5/2~24	7.5/2~24	7.5/2~24
剥线长度 Stripping Length [mm]	5~6	5~6	5~6
螺丝/扭矩 Screw/Torque(Max) [N.m]	M2.5/0.3	M2.5/0.4	M2.5/0.4
工作温度 Operating temperature [°C]	-40~+105	-40~+105	-40~+105
焊接温度 Soldering temperature	260°C /5S	260°C /5S	260°C /5S
引针尺寸 Pin dimensions [mm]	1.1*0.6	Ø1.0	Ø1.0
PCB板孔径 PCB Hole Diameter [mm]	Ø1.5	Ø1.2	Ø1.2

UL/CUL 技术参数		UL/CUL Technical Data	
等级 Use Group	B C D	B	C D
额定电压 Rated Voltage [V]	250 - 250	250	- 250
额定电流 Rated Current [A]	16 - 10	16	- 10
接线范围 Wire Range	单芯线 Solid [AWG]	22~14	
	多芯线 Stranded [AWG]	22~14	
耐电压 Dielectric Voltage-Withstand	1.5KV		
IEC 技术参数		IEC Technical Data	
过电压类别 Overvoltage Category	III IIII IIII	III	IIII IIII
污染等级 Contamination Class	3 2 2	3	2 2
额定电压 Rated Voltage [V]	250 400 630	250	400 630
额定电流 Rated Current [A]	17.5 17.5 17.5	17.5	17.5 17.5
额定冲击电压 Impulse withstand voltage [KV]	4 4 4	4	4 4
导线截面积 Conductor cross section	硬质导线 Solid [mm ²]	0.5~1.5	
	柔性导线 Flexible [mm ²]	0.5~1.5	
材料 Material		Material	
绝缘材料 Insulation Material	PA66	PA66	PA66
阻燃等级 Flame retardant rating	UL94V-0	UL94V-0	UL94V-0
导体材料 Conductor Material	Copper alloy	Copper alloy	Copper alloy
导体表面镀层 Plating of conductor surface	Sn plated	Sn plated	Sn plated
一般参数 Other Data		Other Data	
间距/极数 Pitch/Poles [mm]/[P]	5.0/2~24	5.0/2~24	5.0/2~24
剥线长度 Stripping Length [mm]	5~6	5~6	5~6
螺丝/扭矩 Screw/Torque(Max) [N.m]	M2.5/0.4	M2.5/0.4	M2.5/0.4
工作温度 Operating temperature [°C]	-40~+105	-40~+105	-40~+105
焊接温度 Soldering temperature	260°C /5S	260°C /5S	260°C /5S
引针尺寸 Pin dimensions [mm]	Ø1.0	Ø1.0	Ø1.0
PCB板孔径 PCB Hole Diameter [mm]	Ø1.2	Ø1.2	Ø1.2

UL/CUL 技术参数		UL/CUL Technical Data	
等级 Use Group	B C D	B	C D
额定电压 Rated Voltage [V]	300 - 300	300	- 300
额定电流 Rated Current [A]	15 - 10	15	- 10
接线范围 Wire Range	单芯线 Solid [AWG]	26~12	
	多芯线 Stranded [AWG]	26~12	
耐电压 Dielectric Voltage-Withstand	1.6KV		
IEC 技术参数		IEC Technical Data	
过电压类别 Overvoltage Category	III IIII IIII	III	IIII IIII
污染等级 Contamination Class	3 2 2	3	2 2
额定电压 Rated Voltage [V]	250 400 630	250	400 630
额定电流 Rated Current [A]	24 24 24	24	24 24
额定冲击电压 Impulse withstand voltage [KV]	4 4 4	4	4 4
导线截面积 Conductor cross section	硬质导线 Solid [mm ²]	0.2~2.5	
	柔性导线 Flexible [mm ²]	0.2~2.5	
材料 Material		Material	
绝缘材料 Insulation Material	PA66	PA66	PA66
阻燃等级 Flame retardant rating	UL94V-0	UL94V-0	UL94V-0
导体材料 Conductor Material	Copper alloy	Copper alloy	Copper alloy
导体表面镀层 Plating of conductor surface	Sn plated	Sn plated	Sn plated
一般参数 Other Data		Other Data	
间距/极数 Pitch/Poles [mm]/[P]	5.0/2~24	5.0/2~24	5.0/2~24
剥线长度 Stripping Length [mm]	5~6	5~6	5~6
螺丝/扭矩 Screw/Torque(Max) [N.m]	M2.5/0.4	M2.5/0.4	M2.5/0.4
工作温度 Operating temperature [°C]	-40~+105	-40~+105	-40~+105
焊接温度 Soldering temperature	260°C /5S	260°C /5S	260°C /5S
引针尺寸 Pin dimensions [mm]	Ø1.0	Ø1.0	Ø1.0
PCB板孔径 PCB Hole Diameter [mm]	Ø1.2	Ø1.2	Ø1.2

UL/CUL 技术参数		UL/CUL Technical Data	
等级 Use Group	B C D	B	C D
额定电压 Rated Voltage [V]	300 - 300	300	- 300
额定电流 Rated Current [A]	15 - 10	15	- 10
接线范围 Wire Range	单芯线 Solid [AWG]	26~12	
	多芯线 Stranded [AWG]	26~12	
耐电压 Dielectric Voltage-Withstand	1.6KV		
IEC 技术参数		IEC Technical Data	
过电压类别 Overvoltage Category	III IIII IIII	III	IIII IIII
污染等级 Contamination Class	3 2 2	3	2 2
额定电压 Rated Voltage [V]	160 200 400	160	200 400
额定电流 Rated Current [A]	17.5 17.5 17.5	17.5	17.5 17.5
额定冲击电压 Impulse withstand voltage [KV]	2.5 2.5 2.5	2.5	2.5 2.5
导线截面积 Conductor cross section	硬质导线 Solid [mm ²]	0.2~1.5	
	柔性导线 Flexible [mm ²]	0.2~1.5	
材料 Material		Material	
绝缘材料 Insulation Material	PA66	PA66	PA66
阻燃等级 Flame retardant rating	UL94V-0	UL94V-0	UL94V-0
导体材料 Conductor Material	Copper alloy	Copper alloy	Copper alloy
导体表面镀层 Plating of conductor surface	Sn plated	Sn plated	Sn plated
一般参数 Other Data		Other Data	
间距/极数 Pitch/Poles [mm]/[P]	3.5/2~24	3.5/2~24	3.5/2~24
剥线长度 Stripping Length [mm]	5	5	5
螺丝/扭矩 Screw/Torque(Max) [N.m]	M2/0.2	M2/0.2	M2/0.2
工作温度 Operating temperature [°C]	-40~+105	-40~+105	-40~+105
焊接温度 Soldering temperature	260°C /5S	260°C /5S	260°C /5S
引针尺寸 Pin dimensions [mm]	Ø0.85	Ø0.85	Ø0.85
PCB板孔径 PCB Hole Diameter [mm]	Ø1.1	Ø1.1	Ø1.1

UL/CUL 技术参数		UL/CUL Technical Data	
等级 Use Group	B C D	B	C D
额定电压 Rated Voltage [V]	300 - 300	300	- 300
额定电流 Rated Current [A]	10 - 10	10	- 10
接线范围 Wire Range	单芯线 Solid [AWG]	26~16	
	多芯线 Stranded [AWG]	26~16	
耐电压 Dielectric Voltage-Withstand	1.6KV		
IEC 技术参数		IEC Technical Data	
过电压类别 Overvoltage Category	III IIII IIII	III	IIII IIII
污染等级 Contamination Class	3 2 2	3	2 2
额定电压 Rated Voltage [V]	160 200 400	160	200 400
额定电流 Rated Current [A]	17.5 17.5 17.5	17.5	17.5 17.5
额定冲击电压 Impulse withstand voltage [KV]	2.5 2.5 2.5	2.5	2.5 2.5
导线截面积 Conductor cross section	硬质导线 Solid [mm ²]	0.2~1.5	
	柔性导线 Flexible [mm ²]	0.2~1.5	
材料 Material		Material	
绝缘材料 Insulation Material	PA66	PA66	PA66
阻燃等级 Flame retardant rating	UL94V-0	UL94V-0	UL94V-0
导体材料 Conductor Material	Copper alloy	Copper alloy	Copper alloy
导体表面镀层 Plating of conductor surface	Sn plated	Sn plated	Sn plated
一般参数 Other Data		Other Data	
间距/极数 Pitch/Poles [mm]/[P]	3.5/2~24	3.5/2~24	3.5/2~24
剥线长度 Stripping Length [mm]	5	5	5
螺丝/扭矩 Screw/Torque(Max) [N.m]	M2/0.2	M2/0.2	M2/0.2
工作温度 Operating temperature [°C]	-40~+105	-40~+105	-40~+105
焊接温度 Soldering temperature	260°C /5S	260°C /5S	260°C /5S
引针尺寸 Pin dimensions [mm]	Ø0.85	Ø0.85	Ø0.85
PCB板孔径 PCB Hole Diameter [mm]	Ø1.1	Ø1.1	Ø1.1

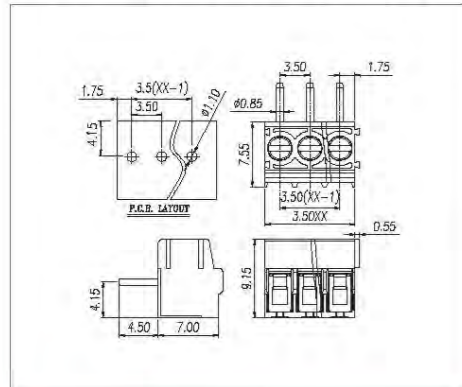




Pitch:3.5mm

WJ303R-3.5

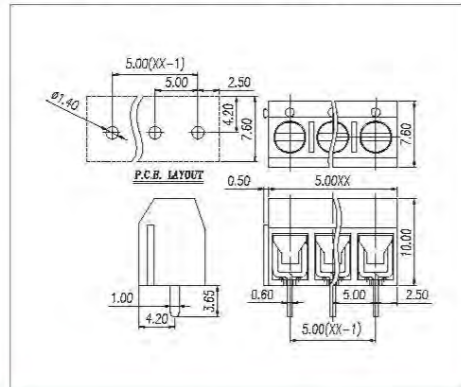
UL/CUL 技术参数		UL/CUL Technical Data	
等级 Use Group	B C D		
额定电压 Rated Voltage [V]	300 - 300		
额定电流 Rated Current [A]	10 - 10		
接线范围 Wire Range	单芯线 Solid [AWG]	26~16	
	多芯线 Stranded [AWG]	26~16	
耐电压 Dielectric Voltage-Withstand	1.6KV		
IEC 技术参数		IEC Technical Data	
过电压类别 Overvoltage Category	III IIII IIII		
污染等级 Contamination Class	3 2 2		
额定电压 Rated Voltage [V]	160 200 400		
额定电流 Rated Current [A]	17.5 17.5 17.5		
额定冲击电压 Impulse withstand voltage [KV]	2.5 2.5 2.5		
导线截面积 Conductor cross section	硬质导线 Solid [mm ²]	0.2~1.5	
	柔性导线 Flexible [mm ²]	0.2~1.5	
材料 Material		PA66	
绝缘材料 Insulation Material	PA66		
阻燃等级 Flame retardant rating	UL94V-0		
导体材料 Conductor Material	Copper alloy		
导体表面镀层 Plating of conductor surface	Sn plated		
一般参数 Other Data		3.5/2~24	
间距/极数 Pitch/Poles [mm]/[P]			
剥线长度 Stripping Length [mm]	5		
螺丝/扭矩 Screw/Torque(Max) [N.m]	M2/0.2		
工作温度 Operating temperature [°C]	-40~+105		
焊接温度 Soldering temperature	260°C /5S		
引针尺寸 Pin dimensions [mm]	∅0.85		
PCB板孔径 PCB Hole Diameter [mm]	∅1.1		



Pitch:5.0mm

WJ306-5.0

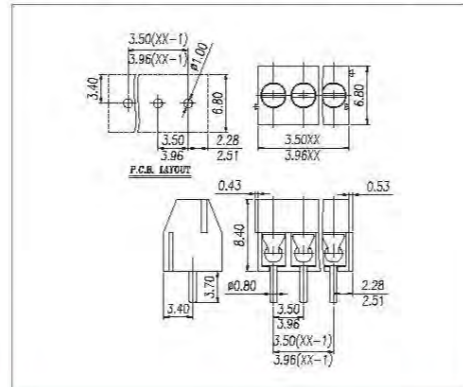
UL/CUL 技术参数		UL/CUL Technical Data	
等级 Use Group	B C D		
额定电压 Rated Voltage [V]	250 - 250		
额定电流 Rated Current [A]	16 - 10		
接线范围 Wire Range	单芯线 Solid [AWG]	22~14	
	多芯线 Stranded [AWG]	22~14	
耐电压 Dielectric Voltage-Withstand	1.5KV		
IEC 技术参数		IEC Technical Data	
过电压类别 Overvoltage Category	III IIII IIII		
污染等级 Contamination Class	3 2 2		
额定电压 Rated Voltage [V]	250 400 630		
额定电流 Rated Current [A]	17.5 17.5 17.5		
额定冲击电压 Impulse withstand voltage [KV]	4 4 4		
导线截面积 Conductor cross section	硬质导线 Solid [mm ²]	0.5~1.5	
	柔性导线 Flexible [mm ²]	0.5~1.5	
材料 Material		PA66	
绝缘材料 Insulation Material	PA66		
阻燃等级 Flame retardant rating	UL94V-0		
导体材料 Conductor Material	Copper alloy		
导体表面镀层 Plating of conductor surface	Sn plated		
一般参数 Other Data		5.0/2~24	
间距/极数 Pitch/Poles [mm]/[P]			
剥线长度 Stripping Length [mm]	5~6		
螺丝/扭矩 Screw/Torque(Max) [N.m]	M2.5/0.4		
工作温度 Operating temperature [°C]	-40~+105		
焊接温度 Soldering temperature	260°C /5S		
引针尺寸 Pin dimensions [mm]	0.6*1.0		
PCB板孔径 PCB Hole Diameter [mm]	∅1.4		



Pitch:3.5/3.96mm

WJ350-3.5/WJ396-3.96

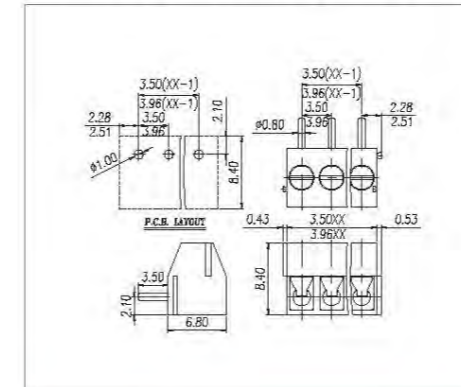
UL/CUL 技术参数		UL/CUL Technical Data	
等级 Use Group	B C D		
额定电压 Rated Voltage [V]	300 - -		
额定电流 Rated Current [A]	10 - -		
接线范围 Wire Range	单芯线 Solid [AWG]	24~18	
	多芯线 Stranded [AWG]	24~18	
耐电压 Dielectric Voltage-Withstand	1.6KV		
IEC 技术参数		IEC Technical Data	
过电压类别 Overvoltage Category	III IIII IIII		
污染等级 Contamination Class	3 2 2		
额定电压 Rated Voltage [V]	160 250 320		
额定电流 Rated Current [A]	13.5 13.5 13.5		
额定冲击电压 Impulse withstand voltage [KV]	2.5 2.5 2.5		
导线截面积 Conductor cross section	硬质导线 Solid [mm ²]	0.5~1.0	
	柔性导线 Flexible [mm ²]	0.5~1.0	
材料 Material		PA66	
绝缘材料 Insulation Material	PA66		
阻燃等级 Flame retardant rating	UL94V-0		
导体材料 Conductor Material	Copper alloy		
导体表面镀层 Plating of conductor surface	Sn plated		
一般参数 Other Data		3.5, 3.96/2~24	
间距/极数 Pitch/Poles [mm]/[P]			
剥线长度 Stripping Length [mm]	5~6		
螺丝/扭矩 Screw/Torque(Max) [N.m]	M2/0.2		
工作温度 Operating temperature [°C]	-40~+105		
焊接温度 Soldering temperature	260°C /5S		
引针尺寸 Pin dimensions [mm]	∅0.8		
PCB板孔径 PCB Hole Diameter [mm]	∅1.0		



Pitch:3.5/3.96mm

WJ350R-3.5/WJ396R-3.96

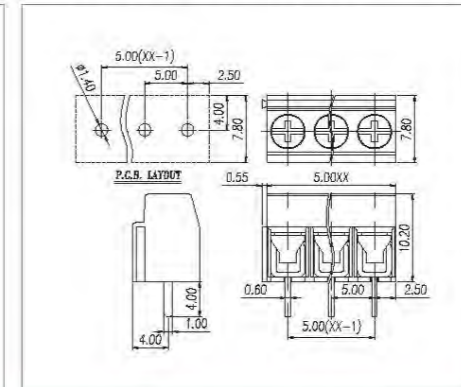
UL/CUL 技术参数		UL/CUL Technical Data	
等级 Use Group	B C D		
额定电压 Rated Voltage [V]	300 - -		
额定电流 Rated Current [A]	10 - -		
接线范围 Wire Range	单芯线 Solid [AWG]	24~18	
	多芯线 Stranded [AWG]	24~18	
耐电压 Dielectric Voltage-Withstand	1.6KV		
IEC 技术参数		IEC Technical Data	
过电压类别 Overvoltage Category	III IIII IIII		
污染等级 Contamination Class	3 2 2		
额定电压 Rated Voltage [V]	160 250 320		
额定电流 Rated Current [A]	13.5 13.5 13.5		
额定冲击电压 Impulse withstand voltage [KV]	2.5 2.5 2.5		
导线截面积 Conductor cross section	硬质导线 Solid [mm ²]	0.5~1.0	
	柔性导线 Flexible [mm ²]	0.5~1.0	
材料 Material		PA66	
绝缘材料 Insulation Material	PA66		
阻燃等级 Flame retardant rating	UL94V-0		
导体材料 Conductor Material	Copper alloy		
导体表面镀层 Plating of conductor surface	Sn plated		
一般参数 Other Data		3.5, 3.96/2~24	
间距/极数 Pitch/Poles [mm]/[P]			
剥线长度 Stripping Length [mm]	5~6		
螺丝/扭矩 Screw/Torque(Max) [N.m]	M2/0.2		
工作温度 Operating temperature [°C]	-40~+105		
焊接温度 Soldering temperature	260°C /5S		
引针尺寸 Pin dimensions [mm]	∅0.8		
PCB板孔径 PCB Hole Diameter [mm]	∅1.0		



Pitch:5.0mm

WJ126-5.0

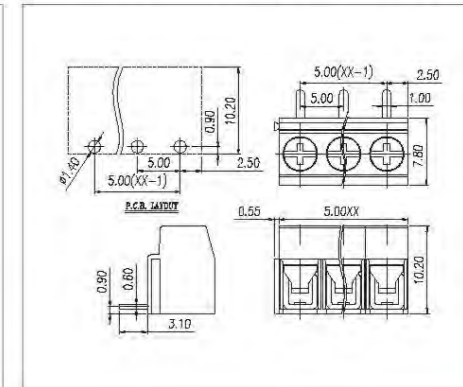
UL/CUL 技术参数		UL/CUL Technical Data	
等级 Use Group	B C D		
额定电压 Rated Voltage [V]	300 - 300		
额定电流 Rated Current [A]	8 - 8		
接线范围 Wire Range	单芯线 Solid [AWG]	26~14	
	多芯线 Stranded [AWG]	26~14	
耐电压 Dielectric Voltage-Withstand	1.6KV		
IEC 技术参数		IEC Technical Data	
过电压类别 Overvoltage Category	III IIII IIII		
污染等级 Contamination Class	3 2 2		
额定电压 Rated Voltage [V]	250 400 630		
额定电流 Rated Current [A]	18 18 18		
额定冲击电压 Impulse withstand voltage [KV]	4 4 4		
导线截面积 Conductor cross section	硬质导线 Solid [mm ²]	0.5~2.5	
	柔性导线 Flexible [mm ²]	0.5~2.5	
材料 Material		PA66	
绝缘材料 Insulation Material	PA66		
阻燃等级 Flame retardant rating	UL94V-0		
导体材料 Conductor Material	Copper alloy		
导体表面镀层 Plating of conductor surface	Sn plated		
一般参数 Other Data		5.0/2~24	
间距/极数 Pitch/Poles [mm]/[P]			
剥线长度 Stripping Length [mm]	6~7		
螺丝/扭矩 Screw/Torque(Max) [N.m]	M2.5/0.25		
工作温度 Operating temperature [°C]	-40~+105		
焊接温度 Soldering temperature	260°C /5S		
引针尺寸 Pin dimensions [mm]	0.6*1.0		
PCB板孔径 PCB Hole Diameter [mm]	∅1.4		



Pitch:5.0mm

WJ126R-5.0

UL/CUL 技术参数		UL/CUL Technical Data	
等级 Use Group	B C D		
额定电压 Rated Voltage [V]	300 - 300		
额定电流 Rated Current [A]	8 - 8		
接线范围 Wire Range	单芯线 Solid [AWG]	26~14	
	多芯线 Stranded [AWG]	26~14	
耐电压 Dielectric Voltage-Withstand	1.6KV		
IEC 技术参数		IEC Technical Data	
过电压类别 Overvoltage Category	III IIII IIII		
污染等级 Contamination Class	3 2 2		
额定电压 Rated Voltage [V]	250 400 630		
额定电流 Rated Current [A]	18 18 18		
额定冲击电压 Impulse withstand voltage [KV]	4 4 4		
导线截面积 Conductor cross section	硬质导线 Solid [mm ²]	0.5~2.5	
	柔性导线 Flexible [mm ²]	0.5~2.5	
材料 Material		PA66	
绝缘材料 Insulation Material	PA66		
阻燃等级 Flame retardant rating	UL94V-0		
导体材料 Conductor Material	Copper alloy		
导体表面镀层 Plating of conductor surface	Sn plated		
一般参数 Other Data		5.0/2~24	
间距/极数 Pitch/Poles [mm]/[P]			
剥线长度 Stripping Length [mm]	6~7		
螺丝/扭矩 Screw/Torque(Max) [N.m]	M2.5/0.25		
工作温度 Operating temperature [°C]	-40~+105		
焊接温度 Soldering temperature	260°C /5S		
引针尺寸 Pin dimensions [mm]	0.6*1.0		
PCB板孔径 PCB Hole Diameter [mm]	∅1.4		





Pitch:5.0mm

WJ166-5.0



Pitch:7.5mm

WJ166-7.5



Pitch:5.0mm

WJ167-5.0



Pitch:5.0mm

WJ167R-5.0



Pitch:5.0/5.08mm

WJ103-5.0/5.08



Pitch:5.0mm

WJ122-5.0

UL/CUL 技术参数		UL/CUL Technical Data	
等级	Use Group	B	C D
额定电压	Rated Voltage [V]	300	- 300
额定电流	Rated Current [A]	15	- 10
接线范围	单芯线 Solid [AWG]	26~14	
	多芯线 Stranded [AWG]	26~14	
耐电压	Dielectric Voltage-Withstand	1.6KV	
IEC 技术参数		IEC Technical Data	
过电压类别	Overvoltage Category	II	III II
污染等级	Contamination Class	3	2 2
额定电压	Rated Voltage [V]	250	400 630
额定电流	Rated Current [A]	24	24 24
额定冲击电压	Impulse withstand voltage [KV]	4	4 4
导线截面积	硬质导线 Solid [mm ²]	0.5~2.5	
	柔性导线 Flexible [mm ²]	0.5~2.5	
材料 Material		Material	
绝缘材料	Insulation Material	PA66	
阻燃等级	Flame retardant rating	UL94V-0	
导体材料	Conductor Material	Copper alloy	
导体表面镀层	Plating of conductor surface	Sn plated	
一般参数 Other Data		Other Data	
间距/极数	Pitch/Poles [mm]/[P]	5.0/2~24	
剥线长度	Stripping Length [mm]	5~6	
螺丝/扭矩	Screw/Torque(Max) [N.m]	M3/0.5	
工作温度	Operating temperature [°C]	-40~+105	
焊锡温度	Soldering temperature	260°C /5S	
引针尺寸	Pin dimensions [mm]	0.7*1.0	
PCB板孔径	PCB Hole Diameter [mm]	Ø1.5	

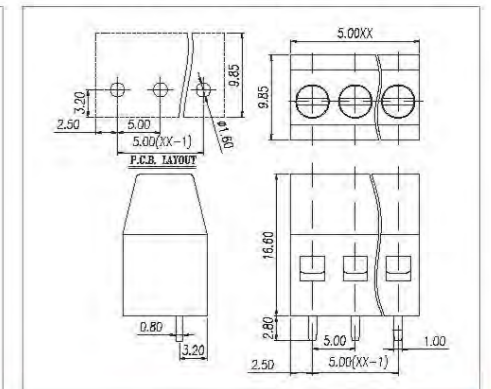
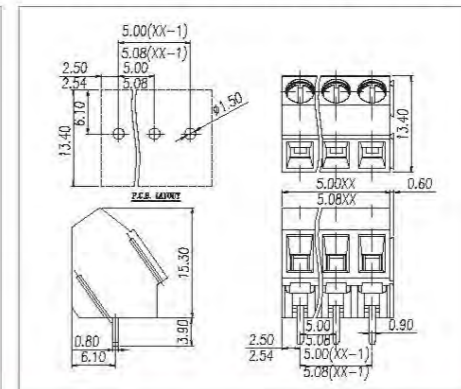
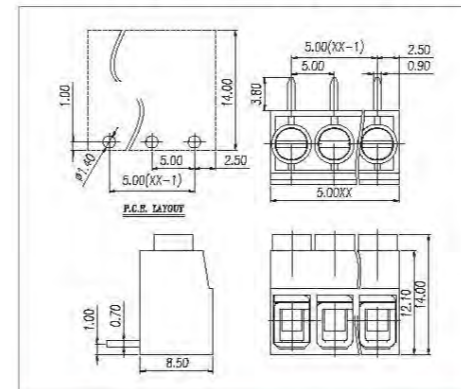
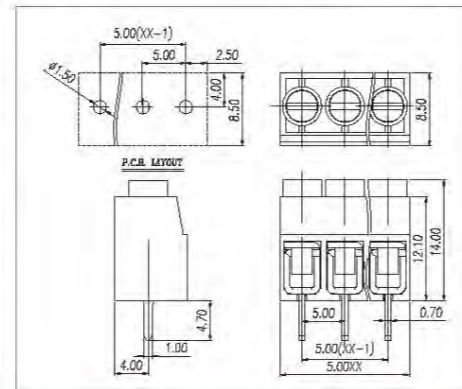
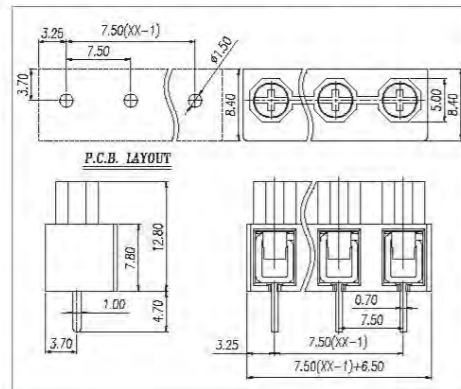
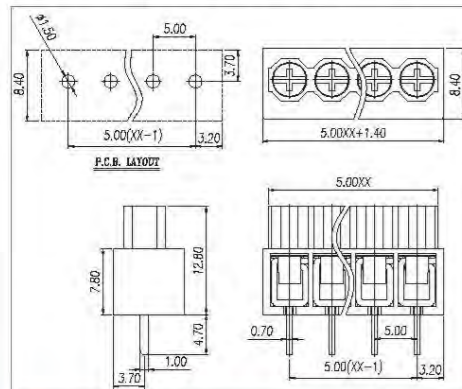
UL/CUL 技术参数		UL/CUL Technical Data	
等级	Use Group	B	C D
额定电压	Rated Voltage [V]	300	- 300
额定电流	Rated Current [A]	15	- 10
接线范围	单芯线 Solid [AWG]	26~14	
	多芯线 Stranded [AWG]	26~14	
耐电压	Dielectric Voltage-Withstand	1.6KV	
IEC 技术参数		IEC Technical Data	
过电压类别	Overvoltage Category	III	III II
污染等级	Contamination Class	3	2 2
额定电压	Rated Voltage [V]	450	630 1000
额定电流	Rated Current [A]	24	24 24
额定冲击电压	Impulse withstand voltage [KV]	6	6 6
导线截面积	硬质导线 Solid [mm ²]	0.5~2.5	
	柔性导线 Flexible [mm ²]	0.5~2.5	
材料 Material		Material	
绝缘材料	Insulation Material	PA66	
阻燃等级	Flame retardant rating	UL94V-0	
导体材料	Conductor Material	Copper alloy	
导体表面镀层	Plating of conductor surface	Sn plated	
一般参数 Other Data		Other Data	
间距/极数	Pitch/Poles [mm]/[P]	7.5/2~18	
剥线长度	Stripping Length [mm]	5~6	
螺丝/扭矩	Screw/Torque(Max) [N.m]	M3/0.5	
工作温度	Operating temperature [°C]	-40~+105	
焊锡温度	Soldering temperature	260°C /5S	
引针尺寸	Pin dimensions [mm]	0.7*1.0	
PCB板孔径	PCB Hole Diameter [mm]	Ø1.5	

UL/CUL 技术参数		UL/CUL Technical Data	
等级	Use Group	B	C D
额定电压	Rated Voltage [V]	300	- 300
额定电流	Rated Current [A]	15	- 10
接线范围	单芯线 Solid [AWG]	26~12	
	多芯线 Stranded [AWG]	26~12	
耐电压	Dielectric Voltage-Withstand	1.6KV	
IEC 技术参数		IEC Technical Data	
过电压类别	Overvoltage Category	III	III II
污染等级	Contamination Class	3	2 2
额定电压	Rated Voltage [V]	250	400 630
额定电流	Rated Current [A]	22	22 22
额定冲击电压	Impulse withstand voltage [KV]	4	4 4
导线截面积	硬质导线 Solid [mm ²]	0.5~2.5	
	柔性导线 Flexible [mm ²]	0.5~2.5	
材料 Material		Material	
绝缘材料	Insulation Material	PA66	
阻燃等级	Flame retardant rating	UL94V-0	
导体材料	Conductor Material	Copper alloy	
导体表面镀层	Plating of conductor surface	Sn plated	
一般参数 Other Data		Other Data	
间距/极数	Pitch/Poles [mm]/[P]	5.0/2~24	
剥线长度	Stripping Length [mm]	6~7	
螺丝/扭矩	Screw/Torque(Max) [N.m]	M2.5/0.4	
工作温度	Operating temperature [°C]	-40~+105	
焊锡温度	Soldering temperature	260°C /5S	
引针尺寸	Pin dimensions [mm]	0.7*1.0	
PCB板孔径	PCB Hole Diameter [mm]	Ø1.5	

UL/CUL 技术参数		UL/CUL Technical Data	
等级	Use Group	B	C D
额定电压	Rated Voltage [V]	300	- 300
额定电流	Rated Current [A]	16	- 10
接线范围	单芯线 Solid [AWG]	24~12	
	多芯线 Stranded [AWG]	24~12	
耐电压	Dielectric Voltage-Withstand	1.6KV	
IEC 技术参数		IEC Technical Data	
过电压类别	Overvoltage Category	III	III II
污染等级	Contamination Class	3	2 2
额定电压	Rated Voltage [V]	250	400 630
额定电流	Rated Current [A]	24	24 24
额定冲击电压	Impulse withstand voltage [KV]	4	4 4
导线截面积	硬质导线 Solid [mm ²]	0.5~2.5	
	柔性导线 Flexible [mm ²]	0.5~2.5	
材料 Material		Material	
绝缘材料	Insulation Material	PA66	
阻燃等级	Flame retardant rating	UL94V-0	
导体材料	Conductor Material	Copper alloy	
导体表面镀层	Plating of conductor surface	Sn plated	
一般参数 Other Data		Other Data	
间距/极数	Pitch/Poles [mm]/[P]	5.0/2~24	
剥线长度	Stripping Length [mm]	6~7	
螺丝/扭矩	Screw/Torque(Max) [N.m]	M2.5/0.4	
工作温度	Operating temperature [°C]	-40~+105	
焊锡温度	Soldering temperature	260°C /5S	
引针尺寸	Pin dimensions [mm]	0.7*0.9	
PCB板孔径	PCB Hole Diameter [mm]	Ø1.4	

UL/CUL 技术参数		UL/CUL Technical Data	
等级	Use Group	B	C D
额定电压	Rated Voltage [V]	300	- 300
额定电流	Rated Current [A]	16	- 10
接线范围	单芯线 Solid [AWG]	24~12	
	多芯线 Stranded [AWG]	24~12	
耐电压	Dielectric Voltage-Withstand	1.6KV	
IEC 技术参数		IEC Technical Data	
过电压类别	Overvoltage Category	III	III II
污染等级	Contamination Class	3	2 2
额定电压	Rated Voltage [V]	250	400 630
额定电流	Rated Current [A]	24	24 24
额定冲击电压	Impulse withstand voltage [KV]	4	4 4
导线截面积	硬质导线 Solid [mm ²]	0.5~2.5	
	柔性导线 Flexible [mm ²]	0.5~2.5	
材料 Material		Material	
绝缘材料	Insulation Material	PA66	
阻燃等级	Flame retardant rating	UL94V-0	
导体材料	Conductor Material	Copper alloy	
导体表面镀层	Plating of conductor surface	Sn plated	
一般参数 Other Data		Other Data	
间距/极数	Pitch/Poles [mm]/[P]	5.0,5.08/2~24	
剥线长度	Stripping Length [mm]	6~7	
螺丝/扭矩	Screw/Torque(Max) [N.m]	M2.5/0.4	
工作温度	Operating temperature [°C]	-40~+105	
焊锡温度	Soldering temperature	260°C /5S	
引针尺寸	Pin dimensions [mm]	0.8*0.9	
PCB板孔径	PCB Hole Diameter [mm]	Ø1.5	

UL/CUL 技术参数		UL/CUL Technical Data	
等级	Use Group	B	C D
额定电压	Rated Voltage [V]	300	- 300
额定电流	Rated Current [A]	10	- 10
接线范围	单芯线 Solid [AWG]	22~14	
	多芯线 Stranded [AWG]	22~14	
耐电压	Dielectric Voltage-Withstand	1.6KV	
IEC 技术参数		IEC Technical Data	
过电压类别	Overvoltage Category	III	III II
污染等级	Contamination Class	3	2 2
额定电压	Rated Voltage [V]	250	400 630
额定电流	Rated Current [A]	24	24 24
额定冲击电压	Impulse withstand voltage [KV]	4	4 4
导线截面积	硬质导线 Solid [mm ²]	0.5~2.5	
	柔性导线 Flexible [mm ²]	0.5~2.5	
材料 Material		Material	
绝缘材料	Insulation Material	PA66	
阻燃等级	Flame retardant rating	UL94V-0	
导体材料	Conductor Material	Copper alloy	
导体表面镀层	Plating of conductor surface	Sn plated	
一般参数 Other Data		Other Data	
间距/极数	Pitch/Poles [mm]/[P]	5.0/2~24	
剥线长度	Stripping Length [mm]	6~7	
螺丝/扭矩	Screw/Torque(Max) [N.m]	M3/0.5	
工作温度	Operating temperature [°C]	-40~+105	
焊锡温度	Soldering temperature	260°C /5S	
引针尺寸	Pin dimensions [mm]	0.8*1.0	
PCB板孔径	PCB Hole Diameter [mm]	Ø1.6	





WJ123-5.0/5.08

WJ125-5.0/5.08

WJ125R-5.0/5.08

WJ127-5.0/5.08

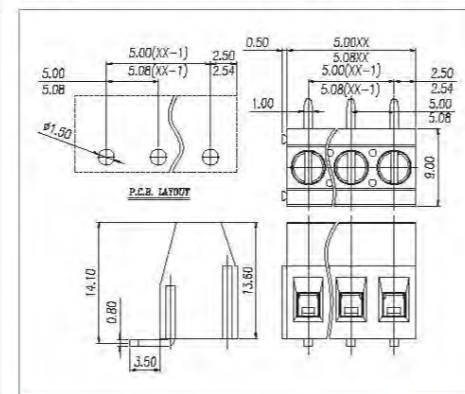
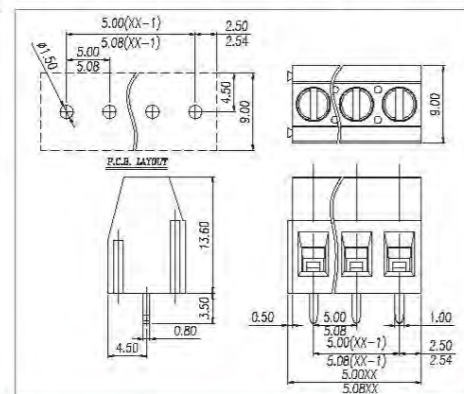
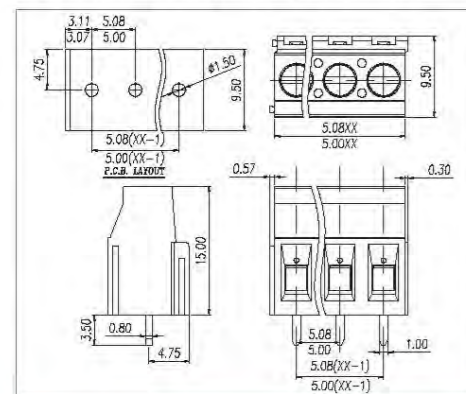
WJ127R-5.0/5.08

WJ127L-5.08

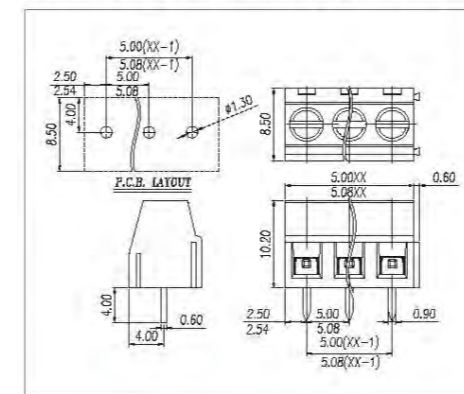
UL/CUL 技术参数			
UL/CUL Technical Data			
等级 Use Group	B C D		
额定电压 Rated Voltage [V]	300	-	300
额定电流 Rated Current [A]	20	-	10
接线范围 Wire Range	单芯线 Solid [AWG]	30~12	
	多芯线 Stranded [AWG]	30~12	
耐电压 Dielectric Voltage-Withstand	1.6KV		
IEC 技术参数			
IEC Technical Data			
过电压类别 Overvoltage Category	II	III	III
污染等级 Contamination Class	3	2	2
额定电压 Rated Voltage [V]	250	400	630
额定电流 Rated Current [A]	24	24	24
额定冲击电压 Impulse withstand voltage [KV]	4	4	4
导线截面积 Conductor cross section	硬质导线 Solid [mm ²]	0.2~2.5	
	柔性导线 Flexible [mm ²]	0.2~2.5	
材料 Material			
绝缘材料 Insulation Material	PA66		
阻燃等级 Flame retardant rating	UL94V-0		
导体材料 Conductor Material	Copper alloy		
导体表面镀层 Plating of conductor surface	Sn plated		
一般参数 Other Data			
间距/极数 Pitch/Poles [mm]/[P]	5.0,5.08/2-24		
剥线长度 Stripping Length [mm]	6~7		
螺丝/扭矩 Screw/Torque(Max)[N.m]	M3/0.5		
工作温度 Operating temperature [°C]	-40~+105		
锡温 Soldering temperature	260°C /5S		
引针尺寸 Pin dimensions [mm]	0.8*1.0		
PCB板孔径 PCB Hole Diameter [mm]	Ø1.5		

UL/CUL 技术参数			
UL/CUL Technical Data			
等级 Use Group	B C D		
额定电压 Rated Voltage [V]	300	-	300
额定电流 Rated Current [A]	16	-	10
接线范围 Wire Range	单芯线 Solid [AWG]	22~12	
	多芯线 Stranded [AWG]	22~12	
耐电压 Dielectric Voltage-Withstand	1.6KV		
IEC 技术参数			
IEC Technical Data			
过电压类别 Overvoltage Category	II	III	III
污染等级 Contamination Class	3	2	2
额定电压 Rated Voltage [V]	250	400	630
额定电流 Rated Current [A]	18	18	18
额定冲击电压 Impulse withstand voltage [KV]	4	4	4
导线截面积 Conductor cross section	硬质导线 Solid [mm ²]	0.2~2.5	
	柔性导线 Flexible [mm ²]	0.2~2.5	
材料 Material			
绝缘材料 Insulation Material	PA66		
阻燃等级 Flame retardant rating	UL94V-0		
导体材料 Conductor Material	Copper alloy		
导体表面镀层 Plating of conductor surface	Sn plated		
一般参数 Other Data			
间距/极数 Pitch/Poles [mm]/[P]	5.0,5.08/2-24		
剥线长度 Stripping Length [mm]	6~7		
螺丝/扭矩 Screw/Torque(Max)[N.m]	M2.5/0.4		
工作温度 Operating temperature [°C]	-40~+105		
锡温 Soldering temperature	260°C /5S		
引针尺寸 Pin dimensions [mm]	0.8*1.0		
PCB板孔径 PCB Hole Diameter [mm]	Ø1.5		

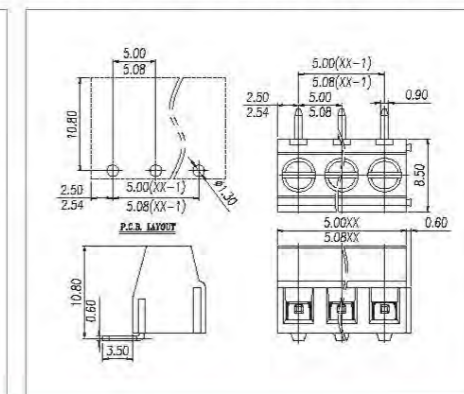
UL/CUL 技术参数			
UL/CUL Technical Data			
等级 Use Group	B C D		
额定电压 Rated Voltage [V]	300	-	300
额定电流 Rated Current [A]	16	-	10
接线范围 Wire Range	单芯线 Solid [AWG]	22~12	
	多芯线 Stranded [AWG]	22~12	
耐电压 Dielectric Voltage-Withstand	1.6KV		
IEC 技术参数			
IEC Technical Data			
过电压类别 Overvoltage Category	II	III	III
污染等级 Contamination Class	3	2	2
额定电压 Rated Voltage [V]	250	400	630
额定电流 Rated Current [A]	18	18	18
额定冲击电压 Impulse withstand voltage [KV]	4	4	4
导线截面积 Conductor cross section	硬质导线 Solid [mm ²]	0.2~2.5	
	柔性导线 Flexible [mm ²]	0.2~2.5	
材料 Material			
绝缘材料 Insulation Material	PA66		
阻燃等级 Flame retardant rating	UL94V-0		
导体材料 Conductor Material	Copper alloy		
导体表面镀层 Plating of conductor surface	Sn plated		
一般参数 Other Data			
间距/极数 Pitch/Poles [mm]/[P]	5.0,5.08/2-24		
剥线长度 Stripping Length [mm]	6~7		
螺丝/扭矩 Screw/Torque(Max)[N.m]	M2.5/0.4		
工作温度 Operating temperature [°C]	-40~+105		
锡温 Soldering temperature	260°C /5S		
引针尺寸 Pin dimensions [mm]	0.8*1.0		
PCB板孔径 PCB Hole Diameter [mm]	Ø1.5		



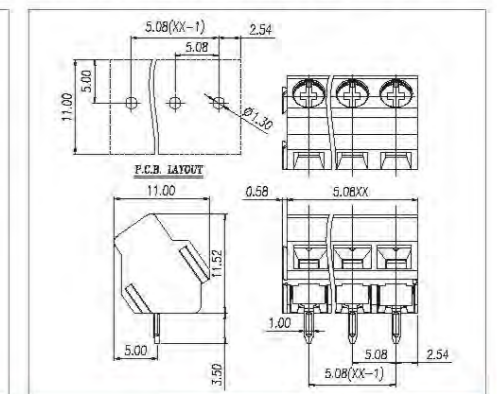
UL/CUL 技术参数			
UL/CUL Technical Data			
等级 Use Group	B C D		
额定电压 Rated Voltage [V]	300	-	300
额定电流 Rated Current [A]	12	-	10
接线范围 Wire Range	单芯线 Solid [AWG]	26~14	
	多芯线 Stranded [AWG]	26~14	
耐电压 Dielectric Voltage-Withstand	1.6KV		
IEC 技术参数			
IEC Technical Data			
过电压类别 Overvoltage Category	II	III	III
污染等级 Contamination Class	3	2	2
额定电压 Rated Voltage [V]	250	400	630
额定电流 Rated Current [A]	17.5	17.5	17.5
额定冲击电压 Impulse withstand voltage [KV]	4	4	4
导线截面积 Conductor cross section	硬质导线 Solid [mm ²]	0.5~1.5	
	柔性导线 Flexible [mm ²]	0.5~1.5	
材料 Material			
绝缘材料 Insulation Material	PA66		
阻燃等级 Flame retardant rating	UL94V-0		
导体材料 Conductor Material	Copper alloy		
导体表面镀层 Plating of conductor surface	Sn plated		
一般参数 Other Data			
间距/极数 Pitch/Poles [mm]/[P]	5.0,5.08/2-24		
剥线长度 Stripping Length [mm]	5~6		
螺丝/扭矩 Screw/Torque(Max)[N.m]	M2.5/0.4		
工作温度 Operating temperature [°C]	-40~+105		
锡温 Soldering temperature	260°C /5S		
引针尺寸 Pin dimensions [mm]	0.6*0.9		
PCB板孔径 PCB Hole Diameter [mm]	Ø1.3		



UL/CUL 技术参数			
UL/CUL Technical Data			
等级 Use Group	B C D		
额定电压 Rated Voltage [V]	300	-	300
额定电流 Rated Current [A]	12	-	10
接线范围 Wire Range	单芯线 Solid [AWG]	26~14	
	多芯线 Stranded [AWG]	26~14	
耐电压 Dielectric Voltage-Withstand	1.6KV		
IEC 技术参数			
IEC Technical Data			
过电压类别 Overvoltage Category	II	III	III
污染等级 Contamination Class	3	2	2
额定电压 Rated Voltage [V]	250	400	630
额定电流 Rated Current [A]	17.5	17.5	17.5
额定冲击电压 Impulse withstand voltage [KV]	4	4	4
导线截面积 Conductor cross section	硬质导线 Solid [mm ²]	0.5~1.5	
	柔性导线 Flexible [mm ²]	0.5~1.5	
材料 Material			
绝缘材料 Insulation Material	PA66		
阻燃等级 Flame retardant rating	UL94V-0		
导体材料 Conductor Material	Copper alloy		
导体表面镀层 Plating of conductor surface	Sn plated		
一般参数 Other Data			
间距/极数 Pitch/Poles [mm]/[P]	5.0,5.08/2-24		
剥线长度 Stripping Length [mm]	5~6		
螺丝/扭矩 Screw/Torque(Max)[N.m]	M2.5/0.4		
工作温度 Operating temperature [°C]	-40~+105		
锡温 Soldering temperature	260°C /5S		
引针尺寸 Pin dimensions [mm]	0.6*0.9		
PCB板孔径 PCB Hole Diameter [mm]	Ø1.3		



UL/CUL 技术参数			
UL/CUL Technical Data			
等级 Use Group	B C D		
额定电压 Rated Voltage [V]	300	-	300
额定电流 Rated Current [A]	12	-	10
接线范围 Wire Range	单芯线 Solid [AWG]	26~14	
	多芯线 Stranded [AWG]	26~14	
耐电压 Dielectric Voltage-Withstand	1.6KV		
IEC 技术参数			
IEC Technical Data			
过电压类别 Overvoltage Category	II	III	III
污染等级 Contamination Class	3	2	2
额定电压 Rated Voltage [V]	250	400	630
额定电流 Rated Current [A]	17.5	17.5	17.5
额定冲击电压 Impulse withstand voltage [KV]	4	4	4
导线截面积 Conductor cross section	硬质导线 Solid [mm ²]	0.5~1.5	
	柔性导线 Flexible [mm ²]	0.5~1.5	
材料 Material			
绝缘材料 Insulation Material	PA66		
阻燃等级 Flame retardant rating	UL94V-0		
导体材料 Conductor Material	Copper alloy		
导体表面镀层 Plating of conductor surface	Sn plated		
一般参数 Other Data			
间距/极数 Pitch/Poles [mm]/[P]	5.08/2-24		
剥线长度 Stripping Length [mm]	5~6		
螺丝/扭矩 Screw/Torque(Max)[N.m]	M2.5/0.4		
工作温度 Operating temperature [°C]	-40~+105		
锡温 Soldering temperature	260°C /5S		
引针尺寸 Pin dimensions [mm]	0.5*1.0		
PCB板孔径 PCB Hole Diameter [mm]	Ø1.3		





Pitch: 5.08 mm



Pitch: 5.08 mm



Pitch: 7.62mm



Pitch: 5.0/5.08 mm



Pitch: 7.5/7.62mm



Pitch: 5.0/5.08 mm

WJ127LF-5.08

WJ127RF-5.08

WJ127-7.62

WJ128-5.0/5.08

WJ128-7.5/7.62

WJ128R-5.0/5.08

UL/CUL 技术参数		UL/CUL Technical Data	
等级	Use Group	B	C D
额定电压	Rated Voltage [V]	300	- 300
额定电流	Rated Current [A]	12	- 10
接线范围	单芯线 Solid [AWG]	26~14	
	多芯线 Stranded [AWG]	26~14	
耐电压	Dielectric Voltage-Withstand	1.6KV	
IEC 技术参数		IEC Technical Data	
过电压类别	Overvoltage Category	III	III II
污染等级	Contamination Class	3	2 2
额定电压	Rated Voltage [V]	250	400 630
额定电流	Rated Current [A]	17.5	17.5 17.5
额定冲击电压	Impulse withstand voltage [KV]	4	4 4
导线截面积	硬质导线 Solid [mm ²]	0.5~1.5	
	柔性导线 Flexible [mm ²]	0.5~1.5	
材料 Material		Material	
绝缘材料	Insulation Material	PA66	
阻燃等级	Flame retardant rating	UL94V-0	
导体材料	Conductor Material	Copper alloy	
导体表面镀层	Plating of conductor surface	Sn plated	
一般参数 Other Data		Other Data	
间距/极数	Pitch/Poles [mm]/[P]	5.08/2	
剥线长度	Stripping Length [mm]	5~6	
螺丝/扭矩	Screw/Torque(Max) [N.m]	M3/0.5	
工作温度	Operating temperature [°C]	-40~+105	
焊锡温度	Soldering temperature	260°C /5S	
引针尺寸	Pin dimensions [mm]	0.6*0.9	
PCB板孔径	PCB Hole Diameter [mm]	Ø1.3	

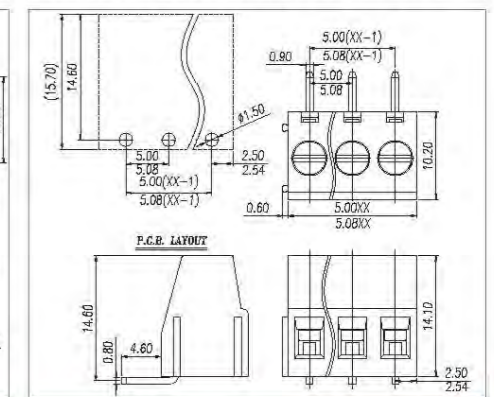
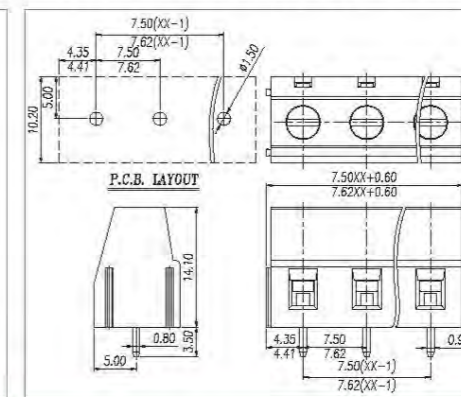
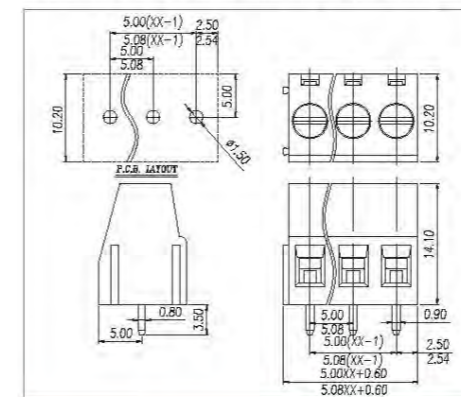
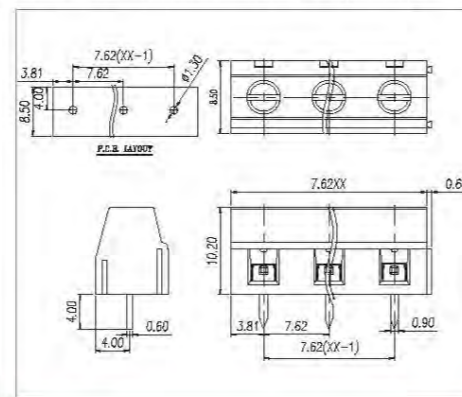
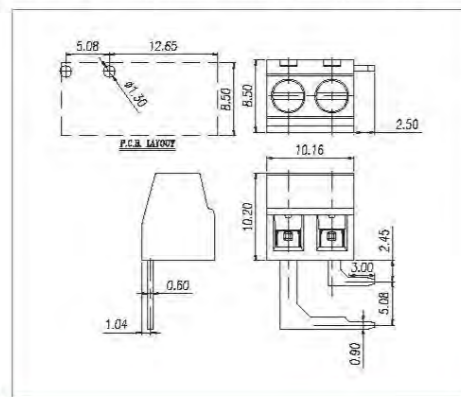
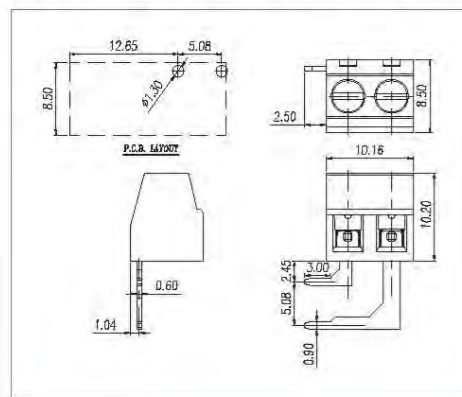
UL/CUL 技术参数		UL/CUL Technical Data	
等级	Use Group	B	C D
额定电压	Rated Voltage [V]	300	- 300
额定电流	Rated Current [A]	12	- 10
接线范围	单芯线 Solid [AWG]	26~14	
	多芯线 Stranded [AWG]	26~14	
耐电压	Dielectric Voltage-Withstand	1.6KV	
IEC 技术参数		IEC Technical Data	
过电压类别	Overvoltage Category	III	III II
污染等级	Contamination Class	3	2 2
额定电压	Rated Voltage [V]	250	400 630
额定电流	Rated Current [A]	17.5	17.5 17.5
额定冲击电压	Impulse withstand voltage [KV]	4	4 4
导线截面积	硬质导线 Solid [mm ²]	0.5~1.5	
	柔性导线 Flexible [mm ²]	0.5~1.5	
材料 Material		Material	
绝缘材料	Insulation Material	PA66	
阻燃等级	Flame retardant rating	UL94V-0	
导体材料	Conductor Material	Copper alloy	
导体表面镀层	Plating of conductor surface	Sn plated	
一般参数 Other Data		Other Data	
间距/极数	Pitch/Poles [mm]/[P]	5.08/2	
剥线长度	Stripping Length [mm]	5~6	
螺丝/扭矩	Screw/Torque(Max) [N.m]	M3/0.5	
工作温度	Operating temperature [°C]	-40~+105	
焊锡温度	Soldering temperature	260°C /5S	
引针尺寸	Pin dimensions [mm]	0.6*0.9	
PCB板孔径	PCB Hole Diameter [mm]	Ø1.3	

UL/CUL 技术参数		UL/CUL Technical Data	
等级	Use Group	B	C D
额定电压	Rated Voltage [V]	300	- 300
额定电流	Rated Current [A]	12	- 10
接线范围	单芯线 Solid [AWG]	26~14	
	多芯线 Stranded [AWG]	26~14	
耐电压	Dielectric Voltage-Withstand	1.6KV	
IEC 技术参数		IEC Technical Data	
过电压类别	Overvoltage Category	III	III II
污染等级	Contamination Class	3	2 2
额定电压	Rated Voltage [V]	450	630 1000
额定电流	Rated Current [A]	17.5	17.5 17.5
额定冲击电压	Impulse withstand voltage [KV]	4	4 4
导线截面积	硬质导线 Solid [mm ²]	0.5~1.5	
	柔性导线 Flexible [mm ²]	0.5~1.5	
材料 Material		Material	
绝缘材料	Insulation Material	PA66	
阻燃等级	Flame retardant rating	UL94V-0	
导体材料	Conductor Material	Copper alloy	
导体表面镀层	Plating of conductor surface	Sn plated	
一般参数 Other Data		Other Data	
间距/极数	Pitch/Poles [mm]/[P]	7.62/2~24	
剥线长度	Stripping Length [mm]	5~6	
螺丝/扭矩	Screw/Torque(Max) [N.m]	M3/0.5	
工作温度	Operating temperature [°C]	-40~+105	
焊锡温度	Soldering temperature	260°C /5S	
引针尺寸	Pin dimensions [mm]	0.6*0.9	
PCB板孔径	PCB Hole Diameter [mm]	Ø1.3	

UL/CUL 技术参数		UL/CUL Technical Data	
等级	Use Group	B	C D
额定电压	Rated Voltage [V]	300	- 300
额定电流	Rated Current [A]	16	- 10
接线范围	单芯线 Solid [AWG]	22~12	
	多芯线 Stranded [AWG]	22~12	
耐电压	Dielectric Voltage-Withstand	1.6KV	
IEC 技术参数		IEC Technical Data	
过电压类别	Overvoltage Category	III	III II
污染等级	Contamination Class	3	2 2
额定电压	Rated Voltage [V]	250	400 630
额定电流	Rated Current [A]	20	20 20
额定冲击电压	Impulse withstand voltage [KV]	4	4 4
导线截面积	硬质导线 Solid [mm ²]	0.5~2.5	
	柔性导线 Flexible [mm ²]	0.5~2.5	
材料 Material		Material	
绝缘材料	Insulation Material	PA66	
阻燃等级	Flame retardant rating	UL94V-0	
导体材料	Conductor Material	Copper alloy	
导体表面镀层	Plating of conductor surface	Sn plated	
一般参数 Other Data		Other Data	
间距/极数	Pitch/Poles [mm]/[P]	5.0, 5.08/2~24	
剥线长度	Stripping Length [mm]	6~7	
螺丝/扭矩	Screw/Torque(Max) [N.m]	M2.5/0.4	
工作温度	Operating temperature [°C]	-40~+105	
焊锡温度	Soldering temperature	260°C /5S	
引针尺寸	Pin dimensions [mm]	0.8*0.9	
PCB板孔径	PCB Hole Diameter [mm]	Ø1.5	

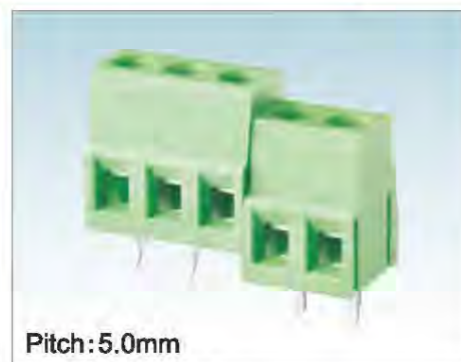
UL/CUL 技术参数		UL/CUL Technical Data	
等级	Use Group	B	C D
额定电压	Rated Voltage [V]	300	- 300
额定电流	Rated Current [A]	16	- 10
接线范围	单芯线 Solid [AWG]	22~12	
	多芯线 Stranded [AWG]	22~12	
耐电压	Dielectric Voltage-Withstand	1.6KV	
IEC 技术参数		IEC Technical Data	
过电压类别	Overvoltage Category	III	III II
污染等级	Contamination Class	3	2 2
额定电压	Rated Voltage [V]	450	630 1000
额定电流	Rated Current [A]	20	20 20
额定冲击电压	Impulse withstand voltage [KV]	6	6 6
导线截面积	硬质导线 Solid [mm ²]	0.5~2.5	
	柔性导线 Flexible [mm ²]	0.5~2.5	
材料 Material		Material	
绝缘材料	Insulation Material	PA66	
阻燃等级	Flame retardant rating	UL94V-0	
导体材料	Conductor Material	Copper alloy	
导体表面镀层	Plating of conductor surface	Sn plated	
一般参数 Other Data		Other Data	
间距/极数	Pitch/Poles [mm]/[P]	7.5, 7.62/2~24	
剥线长度	Stripping Length [mm]	6~7	
螺丝/扭矩	Screw/Torque(Max) [N.m]	M2.5/0.4	
工作温度	Operating temperature [°C]	-40~+105	
焊锡温度	Soldering temperature	260°C /5S	
引针尺寸	Pin dimensions [mm]	0.8*0.9	
PCB板孔径	PCB Hole Diameter [mm]	Ø1.5	

UL/CUL 技术参数		UL/CUL Technical Data	
等级	Use Group	B	C D
额定电压	Rated Voltage [V]	300	- 300
额定电流	Rated Current [A]	16	10
接线范围	单芯线 Solid [AWG]	22~12	
	多芯线 Stranded [AWG]	22~12	
耐电压	Dielectric Voltage-Withstand	1.6KV	
IEC 技术参数		IEC Technical Data	
过电压类别	Overvoltage Category	III	III II
污染等级	Contamination Class	3	2 2
额定电压	Rated Voltage [V]	250	400 630
额定电流	Rated Current [A]	20	20 20
额定冲击电压	Impulse withstand voltage [KV]	4	4 4
导线截面积	硬质导线 Solid [mm ²]	0.5~2.5	
	柔性导线 Flexible [mm ²]	0.5~2.5	
材料 Material		Material	
绝缘材料	Insulation Material	PA66	
阻燃等级	Flame retardant rating	UL94V-0	
导体材料	Conductor Material	Copper alloy	
导体表面镀层	Plating of conductor surface	Sn plated	
一般参数 Other Data		Other Data	
间距/极数	Pitch/Poles [mm]/[P]	5.0, 5.08/2~24	
剥线长度	Stripping Length [mm]	6~7	
螺丝/扭矩	Screw/Torque(Max) [N.m]	M2.5/0.4	
工作温度	Operating temperature [°C]	-40~+105	
焊锡温度	Soldering temperature	260°C /5S	
引针尺寸	Pin dimensions [mm]	0.8*0.9	
PCB板孔径	PCB Hole Diameter [mm]	Ø1.5	

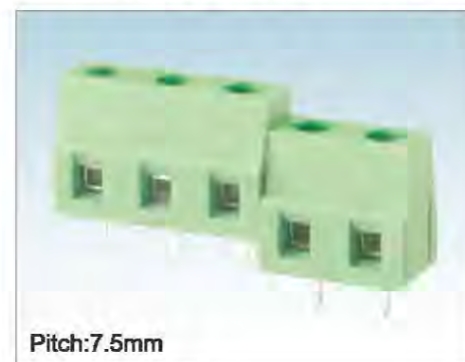




Pitch:7.5/7.62mm



Pitch:5.0mm



Pitch:7.5mm



Pitch:5.0/5.08mm



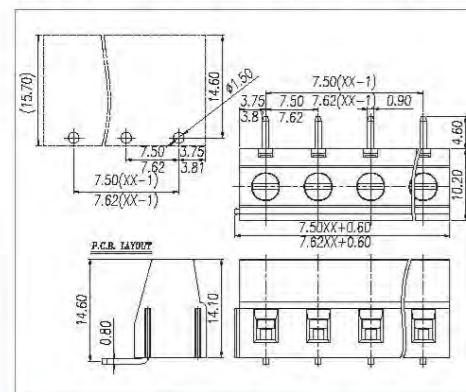
Pitch:7.5/7.62mm



Pitch:5.0/5.08mm

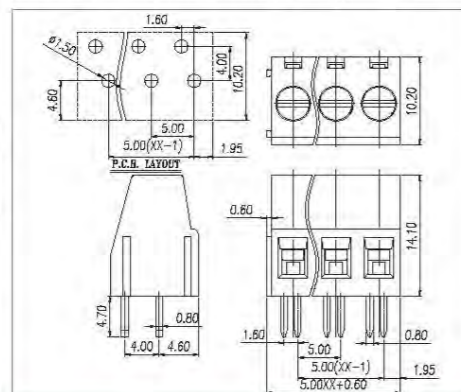
WJ128R-7.5/7.62

UL/CUL 技术参数 UL/CUL Technical Data			
等级 Use Group	B C D		
额定电压 Rated Voltage [V]	300	-	300
额定电流 Rated Current [A]	16	-	10
接线范围 Wire Range	单芯线 Solid [AWG]	22~12	
	多芯线 Stranded [AWG]	22~12	
耐电压 Dielectric Voltage-Withstand	1.6KV		
IEC 技术参数 IEC Technical Data			
过电压类别 Overvoltage Category	III	II	II
污染等级 Contamination Class	3	2	2
额定电压 Rated Voltage [V]	450	630	1000
额定电流 Rated Current [A]	20	20	20
额定冲击电压 Impulse withstand voltage [KV]	6	6	6
导线截面积 Conductor cross section	硬质导线 Solid [mm²]	0.5~2.5	
	柔性导线 Flexible [mm²]	0.5~2.5	
材料 Material			
绝缘材料 Insulation Material	PA66		
阻燃等级 Flame retardant rating	UL94V-0		
导体材料 Conductor Material	Copper alloy		
导体表面镀层 Plating of conductor surface	Sn plated		
一般参数 Other Data			
间距/极数 Pitch/Poles [mm]/[P]	7.5,7.62/2~24		
剥线长度 Stripping Length [mm]	6~7		
螺丝/扭矩 Screw/Torque(Max) [N.m]	M2.5/0.4		
工作温度 Operating temperature [°C]	-40~+105		
焊锡温度 Soldering temperature	260°C /5S		
引针尺寸 Pin dimensions [mm]	0.8*0.9		
PCB板孔径 PCB Hole Diameter [mm]	Ø1.5		



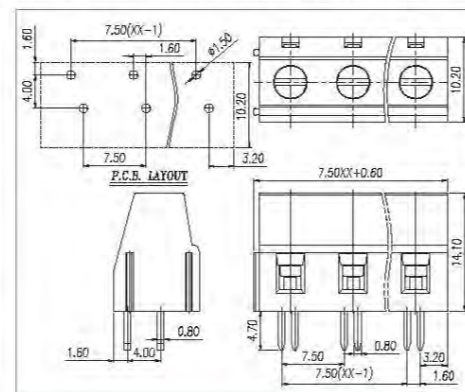
WJ128E-5.0

UL/CUL 技术参数 UL/CUL Technical Data			
等级 Use Group	B C D		
额定电压 Rated Voltage [V]	300	-	300
额定电流 Rated Current [A]	16	-	10
接线范围 Wire Range	单芯线 Solid [AWG]	22~12	
	多芯线 Stranded [AWG]	22~12	
耐电压 Dielectric Voltage-Withstand	1.5KV		
IEC 技术参数 IEC Technical Data			
过电压类别 Overvoltage Category	III	II	II
污染等级 Contamination Class	3	2	2
额定电压 Rated Voltage [V]	250	400	630
额定电流 Rated Current [A]	20	20	20
额定冲击电压 Impulse withstand voltage [KV]	4	4	4
导线截面积 Conductor cross section	硬质导线 Solid [mm²]	0.5~2.5	
	柔性导线 Flexible [mm²]	0.5~2.5	
材料 Material			
绝缘材料 Insulation Material	PA66		
阻燃等级 Flame retardant rating	UL94V-0		
导体材料 Conductor Material	Copper alloy		
导体表面镀层 Plating of conductor surface	Sn plated		
一般参数 Other Data			
间距/极数 Pitch/Poles [mm]/[P]	5.0/2~24		
剥线长度 Stripping Length [mm]	6~7		
螺丝/扭矩 Screw/Torque(Max) [N.m]	M2.5/0.4		
工作温度 Operating temperature [°C]	-40~+105		
焊锡温度 Soldering temperature	260°C /5S		
引针尺寸 Pin dimensions [mm]	0.8*0.9		
PCB板孔径 PCB Hole Diameter [mm]	Ø1.5		



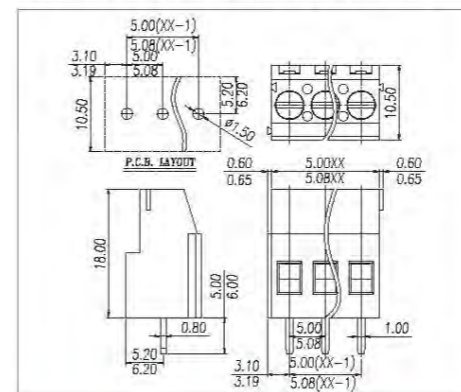
WJ128E-7.5

UL/CUL 技术参数 UL/CUL Technical Data			
等级 Use Group	B C D		
额定电压 Rated Voltage [V]	300	-	300
额定电流 Rated Current [A]	16	-	10
接线范围 Wire Range	单芯线 Solid [AWG]	22~12	
	多芯线 Stranded [AWG]	22~12	
耐电压 Dielectric Voltage-Withstand	1.6KV		
IEC 技术参数 IEC Technical Data			
过电压类别 Overvoltage Category	III	II	II
污染等级 Contamination Class	3	2	2
额定电压 Rated Voltage [V]	450	630	1000
额定电流 Rated Current [A]	20	20	20
额定冲击电压 Impulse withstand voltage [KV]	6	6	6
导线截面积 Conductor cross section	硬质导线 Solid [mm²]	0.5~2.5	
	柔性导线 Flexible [mm²]	0.5~2.5	
材料 Material			
绝缘材料 Insulation Material	PA66		
阻燃等级 Flame retardant rating	UL94V-0		
导体材料 Conductor Material	Copper alloy		
导体表面镀层 Plating of conductor surface	Sn plated		
一般参数 Other Data			
间距/极数 Pitch/Poles [mm]/[P]	7.5/2~24		
剥线长度 Stripping Length [mm]	6~7		
螺丝/扭矩 Screw/Torque(Max) [N.m]	M2.5/0.4		
工作温度 Operating temperature [°C]	-40~+105		
焊锡温度 Soldering temperature	260°C /5S		
引针尺寸 Pin dimensions [mm]	0.8*0.9		
PCB板孔径 PCB Hole Diameter [mm]	Ø1.5		



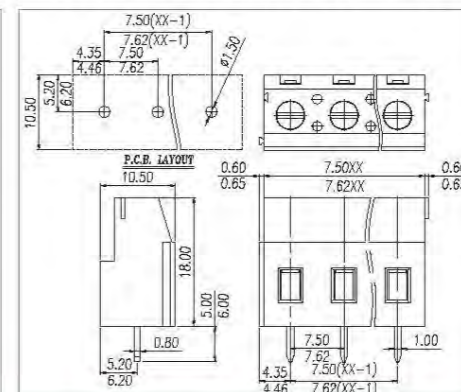
WJ129-5.0/5.08

UL/CUL 技术参数 UL/CUL Technical Data			
等级 Use Group	B C D		
额定电压 Rated Voltage [V]	300	-	300
额定电流 Rated Current [A]	20	-	10
接线范围 Wire Range	单芯线 Solid [AWG]	26~12	
	多芯线 Stranded [AWG]	26~12	
耐电压 Dielectric Voltage-Withstand	1.6KV		
IEC 技术参数 IEC Technical Data			
过电压类别 Overvoltage Category	III	II	II
污染等级 Contamination Class	3	2	2
额定电压 Rated Voltage [V]	250	400	630
额定电流 Rated Current [A]	24	24	24
额定冲击电压 Impulse withstand voltage [KV]	4	4	4
导线截面积 Conductor cross section	硬质导线 Solid [mm²]	0.5~2.5	
	柔性导线 Flexible [mm²]	0.5~2.5	
材料 Material			
绝缘材料 Insulation Material	PA66		
阻燃等级 Flame retardant rating	UL94V-0		
导体材料 Conductor Material	Copper alloy		
导体表面镀层 Plating of conductor surface	Sn plated		
一般参数 Other Data			
间距/极数 Pitch/Poles [mm]/[P]	5.0, 5.08/2~24		
剥线长度 Stripping Length [mm]	6~7		
螺丝/扭矩 Screw/Torque(Max) [N.m]	M3/0.5		
工作温度 Operating temperature [°C]	-40~+105		
焊锡温度 Soldering temperature	260°C /5S		
引针尺寸 Pin dimensions [mm]	0.8*1.0		
PCB板孔径 PCB Hole Diameter [mm]	Ø1.5		



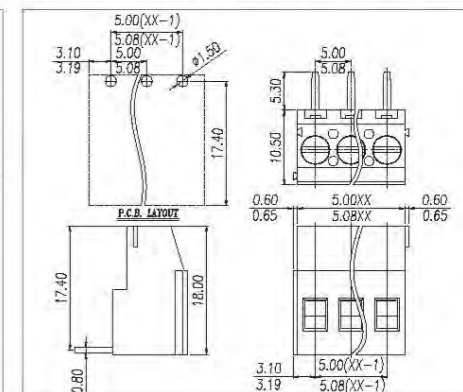
WJ129-7.5/7.62

UL/CUL 技术参数 UL/CUL Technical Data			
等级 Use Group	B C D		
额定电压 Rated Voltage [V]	300	150	300
额定电流 Rated Current [A]	20	20	10
接线范围 Wire Range	单芯线 Solid [AWG]	26~12	
	多芯线 Stranded [AWG]	26~12	
耐电压 Dielectric Voltage-Withstand	1.6KV		
IEC 技术参数 IEC Technical Data			
过电压类别 Overvoltage Category	III	II	II
污染等级 Contamination Class	3	2	2
额定电压 Rated Voltage [V]	450	630	1000
额定电流 Rated Current [A]	24	24	24
额定冲击电压 Impulse withstand voltage [KV]	6	6	6
导线截面积 Conductor cross section	硬质导线 Solid [mm²]	0.5~2.5	
	柔性导线 Flexible [mm²]	0.5~2.5	
材料 Material			
绝缘材料 Insulation Material	PA66		
阻燃等级 Flame retardant rating	UL94V-0		
导体材料 Conductor Material	Copper alloy		
导体表面镀层 Plating of conductor surface	Sn plated		
一般参数 Other Data			
间距/极数 Pitch/Poles [mm]/[P]	7.5, 7.62/2~24		
剥线长度 Stripping Length [mm]	6~7		
螺丝/扭矩 Screw/Torque(Max) [N.m]	M3/0.5		
工作温度 Operating temperature [°C]	-40~+105		
焊锡温度 Soldering temperature	260°C /5S		
引针尺寸 Pin dimensions [mm]	0.8*1.0		
PCB板孔径 PCB Hole Diameter [mm]	Ø1.5		



WJ129R-5.0/5.08

UL/CUL 技术参数 UL/CUL Technical Data			
等级 Use Group	B C D		
额定电压 Rated Voltage [V]	300	-	300
额定电流 Rated Current [A]	20	-	10
接线范围 Wire Range	单芯线 Solid [AWG]	26~12	
	多芯线 Stranded [AWG]	26~12	
耐电压 Dielectric Voltage-Withstand	1.6KV		
IEC 技术参数 IEC Technical Data			
过电压类别 Overvoltage Category	III	II	II
污染等级 Contamination Class	3	2	2
额定电压 Rated Voltage [V]	250	400	630
额定电流 Rated Current [A]	24	24	24
额定冲击电压 Impulse withstand voltage [KV]	4	4	4
导线截面积 Conductor cross section	硬质导线 Solid [mm²]	0.5~2.5	
	柔性导线 Flexible [mm²]	0.5~2.5	
材料 Material			
绝缘材料 Insulation Material	PA66		
阻燃等级 Flame retardant rating	UL94V-0		
导体材料 Conductor Material	Copper alloy		
导体表面镀层 Plating of conductor surface	Sn plated		
一般参数 Other Data			
间距/极数 Pitch/Poles [mm]/[P]	5.0, 5.08/2~24		
剥线长度 Stripping Length [mm]	6~7		
螺丝/扭矩 Screw/Torque(Max) [N.m]	M3/0.5		
工作温度 Operating temperature [°C]	-40~+105		
焊锡温度 Soldering temperature	260°C /5S		
引针尺寸 Pin dimensions [mm]	0.8*1.0		
PCB板孔径 PCB Hole Diameter [mm]	Ø1.5		





Pitch:7.5/7.62mm

WJ129R-7.5/7.62



Pitch:5.0/5.08mm

WJ130-5.0/5.08



Pitch:7.5/7.62mm

WJ130-7.5/7.62



Pitch:5.0/5.08mm

WJ130T2-5.0/5.08



Pitch:5.0/5.08mm

WJ130T2A-5.0/5.08



Pitch:5.0/5.08mm

WJ130T2B-5.0/5.08

UL/CUL 技术参数		UL/CUL Technical Data		UL	
等级	Use Group	B	C	D	
额定电压	Rated Voltage [V]	300	150	300	
额定电流	Rated Current [A]	20	20	10	
接线范围	单芯线 Solid [AWG]	26~12			
	多芯线 Stranded [AWG]	26~12			
耐电压	Dielectric Voltage-Withstand	1.6KV			
IEC 技术参数		IEC Technical Data		IEC	
过电压类别	Overvoltage Category	II	III	II	
污染等级	Contamination Class	3	2	2	
额定电压	Rated Voltage [V]	450	630	1000	
额定电流	Rated Current [A]	24	24	24	
额定冲击电压	Impulse withstand voltage [KV]	6	6	6	
导线截面积	硬质导线 Solid [mm ²]	0.5~2.5			
	柔性导线 Flexible [mm ²]	0.5~2.5			
材料 Material		PA66			
绝缘材料	Insulation Material	PA66			
阻燃等级	Flame retardant rating	UL94V-0			
导体材料	Conductor Material	Copper alloy			
导体表面镀层	Plating of conductor surface	Sn plated			
一般参数 Other Data					
间距/极数	Pitch/Poles [mm]/[P]	7.5,7.62/2~24			
剥线长度	Stripping Length [mm]	6~7			
螺丝/扭矩	Screw/Torque(Max) [N.m]	M3/0.5			
工作温度	Operating temperature [°C]	-40~+105			
焊锡温度	Soldering temperature	260°C /5S			
引针尺寸	Pin dimensions [mm]	0.8*1.0			
PCB板孔径	PCB Hole Diameter [mm]	Ø1.5			

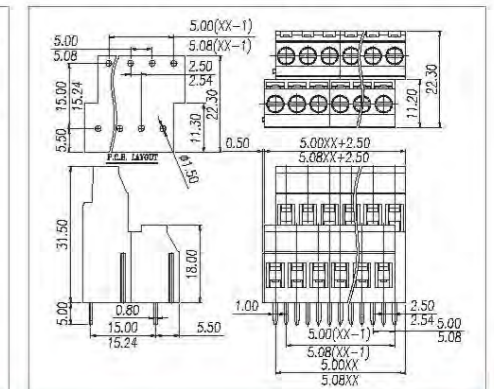
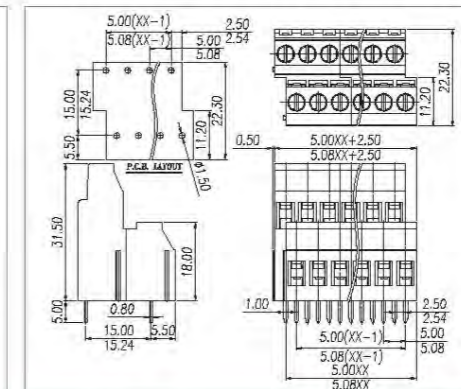
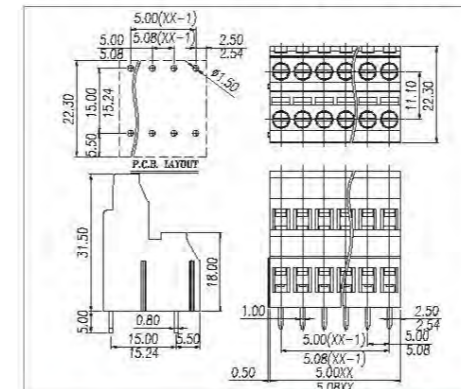
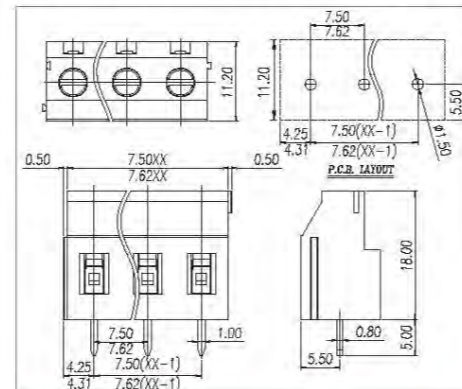
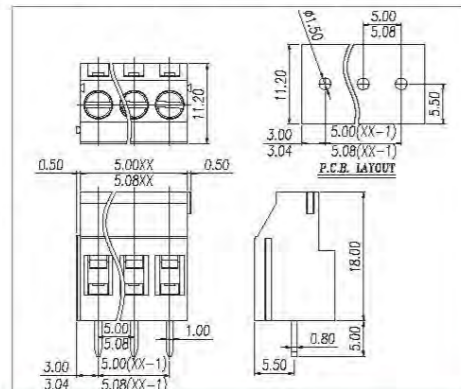
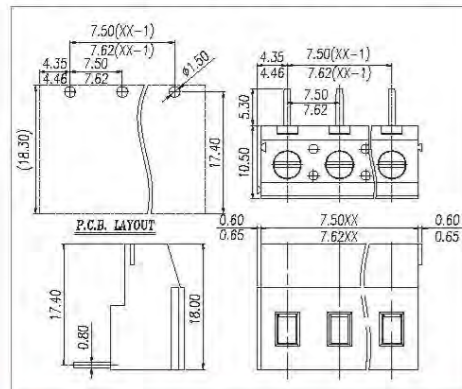
UL/CUL 技术参数		UL/CUL Technical Data		UL	
等级	Use Group	B	C	D	
额定电压	Rated Voltage [V]	300	-	300	
额定电流	Rated Current [A]	20	-	10	
接线范围	单芯线 Solid [AWG]	26~12			
	多芯线 Stranded [AWG]	26~12			
耐电压	Dielectric Voltage-Withstand	1.6KV			
IEC 技术参数		IEC Technical Data		IEC	
过电压类别	Overvoltage Category	III	III	II	
污染等级	Contamination Class	3	2	2	
额定电压	Rated Voltage [V]	250	400	630	
额定电流	Rated Current [A]	24	24	24	
额定冲击电压	Impulse withstand voltage [KV]	4	4	4	
导线截面积	硬质导线 Solid [mm ²]	0.5~2.5			
	柔性导线 Flexible [mm ²]	0.5~2.5			
材料 Material		PA66			
绝缘材料	Insulation Material	PA66			
阻燃等级	Flame retardant rating	UL94V-0			
导体材料	Conductor Material	Copper alloy			
导体表面镀层	Plating of conductor surface	Sn plated			
一般参数 Other Data					
间距/极数	Pitch/Poles [mm]/[P]	5.0,5.08/2~24			
剥线长度	Stripping Length [mm]	6~7			
螺丝/扭矩	Screw/Torque(Max) [N.m]	M3/0.5			
工作温度	Operating temperature [°C]	-40~+105			
焊锡温度	Soldering temperature	260°C /5S			
引针尺寸	Pin dimensions [mm]	0.8*1.0			
PCB板孔径	PCB Hole Diameter [mm]	Ø1.5			

UL/CUL 技术参数		UL/CUL Technical Data		UL	
等级	Use Group	B	C	D	
额定电压	Rated Voltage [V]	300	150	300	
额定电流	Rated Current [A]	20	20	10	
接线范围	单芯线 Solid [AWG]	26~12			
	多芯线 Stranded [AWG]	26~12			
耐电压	Dielectric Voltage-Withstand	1.6KV			
IEC 技术参数		IEC Technical Data		IEC	
过电压类别	Overvoltage Category	III	III	II	
污染等级	Contamination Class	3	2	2	
额定电压	Rated Voltage [V]	450	630	1000	
额定电流	Rated Current [A]	24	24	24	
额定冲击电压	Impulse withstand voltage [KV]	6	6	6	
导线截面积	硬质导线 Solid [mm ²]	0.5~2.5			
	柔性导线 Flexible [mm ²]	0.5~2.5			
材料 Material		PA66			
绝缘材料	Insulation Material	PA66			
阻燃等级	Flame retardant rating	UL94V-0			
导体材料	Conductor Material	Copper alloy			
导体表面镀层	Plating of conductor surface	Sn plated			
一般参数 Other Data					
间距/极数	Pitch/Poles [mm]/[P]	7.5,7.62/2~18			
剥线长度	Stripping Length [mm]	6~7			
螺丝/扭矩	Screw/Torque(Max) [N.m]	M3/0.5			
工作温度	Operating temperature [°C]	-40~+105			
焊锡温度	Soldering temperature	260°C /5S			
引针尺寸	Pin dimensions [mm]	0.8*1.0			
PCB板孔径	PCB Hole Diameter [mm]	Ø1.5			

UL/CUL 技术参数		UL/CUL Technical Data		UL	
等级	Use Group	B	C	D	
额定电压	Rated Voltage [V]	300	-	300	
额定电流	Rated Current [A]	20	-	10	
接线范围	单芯线 Solid [AWG]	26~12			
	多芯线 Stranded [AWG]	26~12			
耐电压	Dielectric Voltage-Withstand	1.6KV			
IEC 技术参数		IEC Technical Data		IEC	
过电压类别	Overvoltage Category	III	III	II	
污染等级	Contamination Class	3	2	2	
额定电压	Rated Voltage [V]	250	400	630	
额定电流	Rated Current [A]	20	20	20	
额定冲击电压	Impulse withstand voltage [KV]	4	4	4	
导线截面积	硬质导线 Solid [mm ²]	0.5~2.5			
	柔性导线 Flexible [mm ²]	0.5~2.5			
材料 Material		PA66			
绝缘材料	Insulation Material	PA66			
阻燃等级	Flame retardant rating	UL94V-0			
导体材料	Conductor Material	Copper alloy			
导体表面镀层	Plating of conductor surface	Sn plated			
一般参数 Other Data					
间距/极数	Pitch/Poles [mm]/[P]	5.0,5.08/2~24			
剥线长度	Stripping Length [mm]	6~7			
螺丝/扭矩	Screw/Torque(Max) [N.m]	M3/0.5			
工作温度	Operating temperature [°C]	-40~+105			
焊锡温度	Soldering temperature	260°C /5S			
引针尺寸	Pin dimensions [mm]	0.8*1.0			
PCB板孔径	PCB Hole Diameter [mm]	Ø1.5			

UL/CUL 技术参数		UL/CUL Technical Data		UL	
等级	Use Group	B	C	D	
额定电压	Rated Voltage [V]	300	-	300	
额定电流	Rated Current [A]	20	-	10	
接线范围	单芯线 Solid [AWG]	26~12			
	多芯线 Stranded [AWG]	26~12			
耐电压	Dielectric Voltage-Withstand	1.6KV			
IEC 技术参数		IEC Technical Data		IEC	
过电压类别	Overvoltage Category	III	III	II	
污染等级	Contamination Class	3	2	2	
额定电压	Rated Voltage [V]	250	400	630	
额定电流	Rated Current [A]	20	20	20	
额定冲击电压	Impulse withstand voltage [KV]	4	4	4	
导线截面积	硬质导线 Solid [mm ²]	0.5~2.5			
	柔性导线 Flexible [mm ²]	0.5~2.5			
材料 Material		PA66			
绝缘材料	Insulation Material	PA66			
阻燃等级	Flame retardant rating	UL94V-0			
导体材料	Conductor Material	Copper alloy			
导体表面镀层	Plating of conductor surface	Sn plated			
一般参数 Other Data					
间距/极数	Pitch/Poles [mm]/[P]	5.0,5.08/2~24			
剥线长度	Stripping Length [mm]	6~7			
螺丝/扭矩	Screw/Torque(Max) [N.m]	M3/0.5			
工作温度	Operating temperature [°C]	-40~+105			
焊锡温度	Soldering temperature	260°C /5S			
引针尺寸	Pin dimensions [mm]	0.8*1.0			
PCB板孔径	PCB Hole Diameter [mm]	Ø1.5			

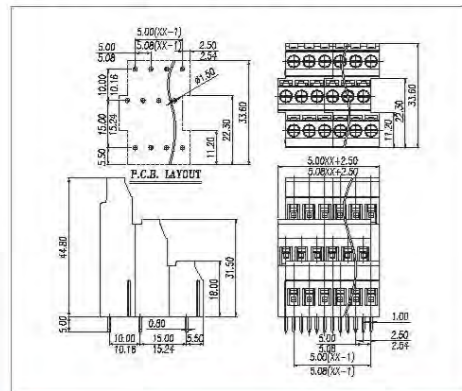
UL/CUL 技术参数		UL/CUL Technical Data		UL	
等级	Use Group	B	C	D	
额定电压	Rated Voltage [V]	300	-	300	
额定电流	Rated Current [A]	20	-	10	
接线范围	单芯线 Solid [AWG]	26~12			
	多芯线 Stranded [AWG]	26~12			
耐电压	Dielectric Voltage-Withstand	1.6KV			
IEC 技术参数		IEC Technical Data		IEC	
过电压类别	Overvoltage Category	III	III	II	
污染等级	Contamination Class	3	2	2	
额定电压	Rated Voltage [V]	250	400	630	
额定电流	Rated Current [A]	20	20	20	
额定冲击电压	Impulse withstand voltage [KV]	4	4	4	
导线截面积	硬质导线 Solid [mm ²]	0.5~2.5			
	柔性导线 Flexible [mm ²]	0.5~2.5			
材料 Material		PA66			
绝缘材料	Insulation Material	PA66			
阻燃等级	Flame retardant rating	UL94V-0			
导体材料	Conductor Material	Copper alloy			
导体表面镀层	Plating of conductor surface	Sn plated			
一般参数 Other Data					
间距/极数	Pitch/Poles [mm]/[P]	5.0,5.08/2~24			
剥线长度	Stripping Length [mm]	6~7			
螺丝/扭矩	Screw/Torque(Max) [N.m]	M3/0.5			
工作温度	Operating temperature [°C]	-40~+105			
焊锡温度	Soldering temperature	260°C /5S			
引针尺寸	Pin dimensions [mm]	0.8*1.0			
PCB板孔径	PCB Hole Diameter [mm]	Ø1.5			





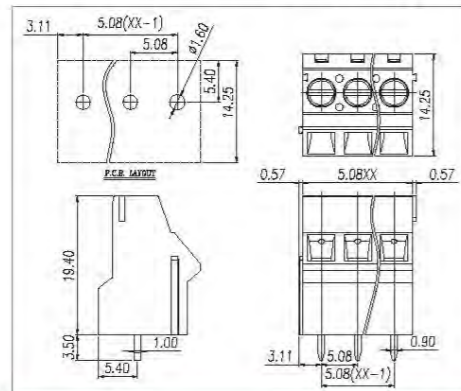
Pitch:5.0/5.08mm

UL/CUL 技术参数		UL/CUL Technical Data	
等级 Use Group	B C D	300	- 300
额定电压 Rated Voltage [V]		20	- 10
额定电流 Rated Current [A]		26~12	
接线范围 Wire Range	单芯线 Solid [AWG]	26~12	
	多芯线 Stranded [AWG]	26~12	
耐电压 Dielectric Voltage-Withstand		1.6KV	
IEC 技术参数		IEC Technical Data	
过电压类别 Overvoltage Category	III IIII IIII	250	400 630
污染等级 Contamination Class	3 2 2	17.5	17.5 17.5
额定电压 Rated Voltage [V]		4	4 4
额定电流 Rated Current [A]		0.5~2.5	0.5~2.5
导线截面积 Conductor cross section	硬质导线 Solid [mm ²]	0.5~2.5	
	柔性导线 Flexible [mm ²]	0.5~2.5	
材料 Material		PA66	
绝缘材料 Insulation Material		UL94V-0	
阻燃等级 Flame retardant rating		Copper alloy	
导体材料 Conductor Material		Sn plated	
导体表面镀层 Plating of conductor surface		一般参数 Other Data	
间距/极数 Pitch/Poles [mm]/[P]	5.0/5.08*2-3*24	间距/极数 Pitch/Poles [mm]/[P]	5.08/2~24
剥线长度 Stripping Length [mm]	6~7	剥线长度 Stripping Length [mm]	10~11
螺丝/扭矩 Screw/Torque(Max) [N.m]	M3/0.5	螺丝/扭矩 Screw/Torque(Max) [N.m]	M3/0.5
工作温度 Operating temperature [°C]	-40~+105	工作温度 Operating temperature [°C]	-40~+105
焊接温度 Soldering temperature	260°C /5S	焊接温度 Soldering temperature	260°C /5S
引针尺寸 Pin dimensions [mm]	0.8*1.0	引针尺寸 Pin dimensions [mm]	0.9*1.0
PCB板孔径 PCB Hole Diameter [mm]	Ø1.5	PCB板孔径 PCB Hole Diameter [mm]	Ø1.6



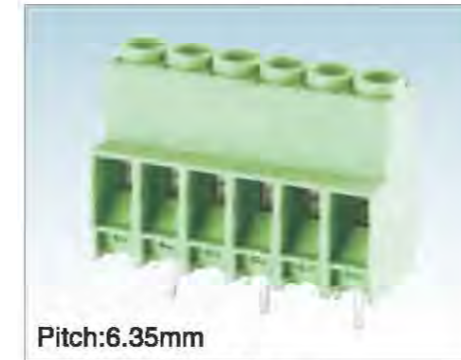
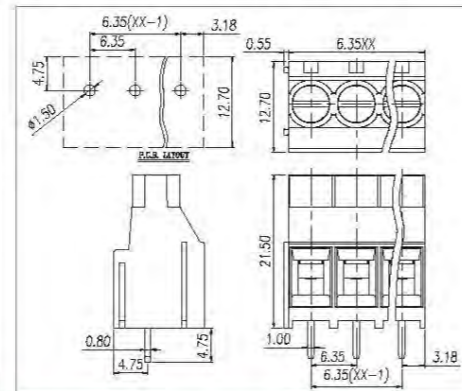
Pitch:5.08mm

UL/CUL 技术参数		UL/CUL Technical Data	
等级 Use Group	B C D	300	- 300
额定电压 Rated Voltage [V]		20	- 10
额定电流 Rated Current [A]		26~12	
接线范围 Wire Range	单芯线 Solid [AWG]	26~12	
	多芯线 Stranded [AWG]	26~12	
耐电压 Dielectric Voltage-Withstand		1.6KV	
IEC 技术参数		IEC Technical Data	
过电压类别 Overvoltage Category	III IIII IIII	250	400 630
污染等级 Contamination Class	3 2 2	20	20 20
额定电压 Rated Voltage [V]		4	4 4
额定电流 Rated Current [A]		0.2~2.5	0.2~2.5
导线截面积 Conductor cross section	硬质导线 Solid [mm ²]	0.2~2.5	
	柔性导线 Flexible [mm ²]	0.2~2.5	
材料 Material		PA66	
绝缘材料 Insulation Material		UL94V-0	
阻燃等级 Flame retardant rating		Copper alloy	
导体材料 Conductor Material		Sn plated	
导体表面镀层 Plating of conductor surface		一般参数 Other Data	
间距/极数 Pitch/Poles [mm]/[P]	5.08/2~24	间距/极数 Pitch/Poles [mm]/[P]	6.35/2~24
剥线长度 Stripping Length [mm]	10~11	剥线长度 Stripping Length [mm]	6~7
螺丝/扭矩 Screw/Torque(Max) [N.m]	M3/0.5	螺丝/扭矩 Screw/Torque(Max) [N.m]	M3/0.5
工作温度 Operating temperature [°C]	-40~+105	工作温度 Operating temperature [°C]	-40~+105
焊接温度 Soldering temperature	260°C /5S	焊接温度 Soldering temperature	260°C /5S
引针尺寸 Pin dimensions [mm]	0.9*1.0	引针尺寸 Pin dimensions [mm]	0.8*1.0
PCB板孔径 PCB Hole Diameter [mm]	Ø1.6	PCB板孔径 PCB Hole Diameter [mm]	Ø1.5



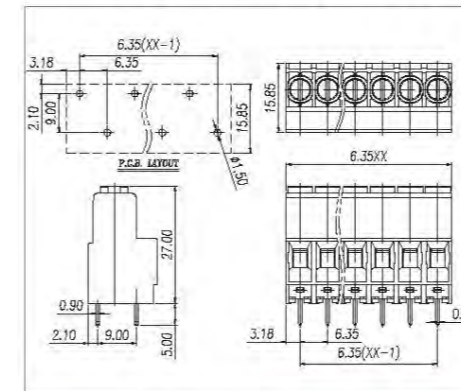
Pitch:6.35mm

UL/CUL 技术参数		UL/CUL Technical Data	
等级 Use Group	B C D	300	- 300
额定电压 Rated Voltage [V]		30	- 10
额定电流 Rated Current [A]		26~10	
接线范围 Wire Range	单芯线 Solid [AWG]	26~10	
	多芯线 Stranded [AWG]	26~10	
耐电压 Dielectric Voltage-Withstand		1.6KV	
IEC 技术参数		IEC Technical Data	
过电压类别 Overvoltage Category	III IIII IIII	400	630 1000
污染等级 Contamination Class	3 2 2	32	32 32
额定电压 Rated Voltage [V]		6	6 6
额定电流 Rated Current [A]		0.5~4.0	0.5~4.0
导线截面积 Conductor cross section	硬质导线 Solid [mm ²]	0.5~4.0	
	柔性导线 Flexible [mm ²]	0.5~4.0	
材料 Material		PA66	
绝缘材料 Insulation Material		UL94V-0	
阻燃等级 Flame retardant rating		Copper alloy	
导体材料 Conductor Material		Sn plated	
导体表面镀层 Plating of conductor surface		一般参数 Other Data	
间距/极数 Pitch/Poles [mm]/[P]	6.35/2~24	间距/极数 Pitch/Poles [mm]/[P]	6.35/2~18
剥线长度 Stripping Length [mm]	6~7	剥线长度 Stripping Length [mm]	8
螺丝/扭矩 Screw/Torque(Max) [N.m]	M3/0.5	螺丝/扭矩 Screw/Torque(Max) [N.m]	M3/0.5
工作温度 Operating temperature [°C]	-40~+105	工作温度 Operating temperature [°C]	-40~+105
焊接温度 Soldering temperature	260°C /5S	焊接温度 Soldering temperature	260°C /5S
引针尺寸 Pin dimensions [mm]	0.8*1.0	引针尺寸 Pin dimensions [mm]	0.9*0.9
PCB板孔径 PCB Hole Diameter [mm]	Ø1.5	PCB板孔径 PCB Hole Diameter [mm]	Ø1.5



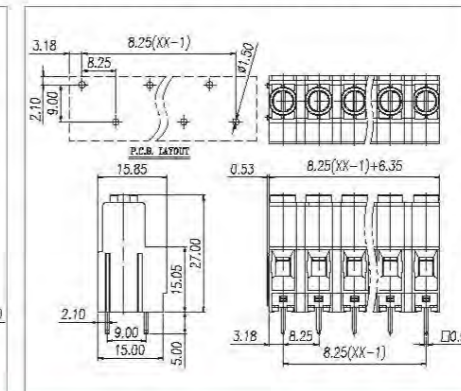
Pitch:6.35mm

UL/CUL 技术参数		UL/CUL Technical Data	
等级 Use Group	B C D	600	600 600
额定电压 Rated Voltage [V]		30	30 5
额定电流 Rated Current [A]		24~10	
接线范围 Wire Range	单芯线 Solid [AWG]	24~10	
	多芯线 Stranded [AWG]	24~10	
耐电压 Dielectric Voltage-Withstand		2.2KV	
IEC 技术参数		IEC Technical Data	
过电压类别 Overvoltage Category	III IIII IIII	800	1000 1000
污染等级 Contamination Class	3 2 2	41	41 41
额定电压 Rated Voltage [V]		8	8 8
额定电流 Rated Current [A]		0.2~6.0	0.2~4.0
导线截面积 Conductor cross section	硬质导线 Solid [mm ²]	0.2~6.0	
	柔性导线 Flexible [mm ²]	0.2~4.0	
材料 Material		PA66	
绝缘材料 Insulation Material		UL94V-0	
阻燃等级 Flame retardant rating		Copper alloy	
导体材料 Conductor Material		Sn plated	
导体表面镀层 Plating of conductor surface		一般参数 Other Data	
间距/极数 Pitch/Poles [mm]/[P]	6.35/2~18	间距/极数 Pitch/Poles [mm]/[P]	8.25/2~18
剥线长度 Stripping Length [mm]	8	剥线长度 Stripping Length [mm]	7~8
螺丝/扭矩 Screw/Torque(Max) [N.m]	M3/0.5	螺丝/扭矩 Screw/Torque(Max) [N.m]	M3/0.5
工作温度 Operating temperature [°C]	-40~+105	工作温度 Operating temperature [°C]	-40~+105
焊接温度 Soldering temperature	260°C /5S	焊接温度 Soldering temperature	260°C /5S
引针尺寸 Pin dimensions [mm]	0.9*0.9	引针尺寸 Pin dimensions [mm]	0.8*1.0
PCB板孔径 PCB Hole Diameter [mm]	Ø1.5	PCB板孔径 PCB Hole Diameter [mm]	Ø1.5



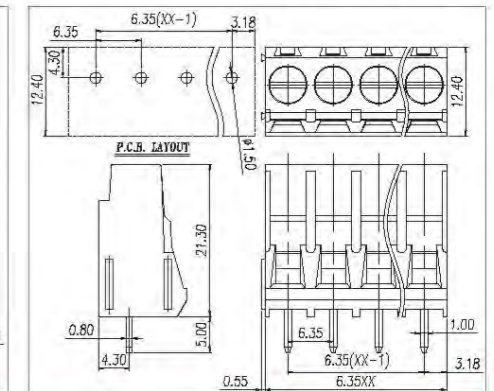
Pitch:8.25mm

UL/CUL 技术参数		UL/CUL Technical Data	
等级 Use Group	B C D	600	600 600
额定电压 Rated Voltage [V]		30	30 5
额定电流 Rated Current [A]		24~10	
接线范围 Wire Range	单芯线 Solid [AWG]	24~10	
	多芯线 Stranded [AWG]	24~10	
耐电压 Dielectric Voltage-Withstand		2.2KV	
IEC 技术参数		IEC Technical Data	
过电压类别 Overvoltage Category	III IIII IIII	800	1000 1000
污染等级 Contamination Class	3 2 2	41	41 41
额定电压 Rated Voltage [V]		8	8 8
额定电流 Rated Current [A]		0.2~6.0	0.2~4.0
导线截面积 Conductor cross section	硬质导线 Solid [mm ²]	0.2~6.0	
	柔性导线 Flexible [mm ²]	0.2~4.0	
材料 Material		PA66	
绝缘材料 Insulation Material		UL94V-0	
阻燃等级 Flame retardant rating		Copper alloy	
导体材料 Conductor Material		Sn plated	
导体表面镀层 Plating of conductor surface		一般参数 Other Data	
间距/极数 Pitch/Poles [mm]/[P]	8.25/2~18	间距/极数 Pitch/Poles [mm]/[P]	6.35/2~24
剥线长度 Stripping Length [mm]	8	剥线长度 Stripping Length [mm]	7~8
螺丝/扭矩 Screw/Torque(Max) [N.m]	M3/0.5	螺丝/扭矩 Screw/Torque(Max) [N.m]	M3/0.5
工作温度 Operating temperature [°C]	-40~+105	工作温度 Operating temperature [°C]	-40~+105
焊接温度 Soldering temperature	260°C /5S	焊接温度 Soldering temperature	260°C /5S
引针尺寸 Pin dimensions [mm]	0.9*0.9	引针尺寸 Pin dimensions [mm]	0.8*1.0
PCB板孔径 PCB Hole Diameter [mm]	Ø1.5	PCB板孔径 PCB Hole Diameter [mm]	Ø1.5



Pitch:6.35mm

UL/CUL 技术参数		UL/CUL Technical Data	
等级 Use Group	B C D	300	- 300
额定电压 Rated Voltage [V]		30	- 10
额定电流 Rated Current [A]		26~10	
接线范围 Wire Range	单芯线 Solid [AWG]	26~10	
	多芯线 Stranded [AWG]	26~10	
耐电压 Dielectric Voltage-Withstand		1.6KV	
IEC 技术参数		IEC Technical Data	
过电压类别 Overvoltage Category	III IIII IIII	400	630 1000
污染等级 Contamination Class	3 2 2	32	32 32
额定电压 Rated Voltage [V]		6	6 6
额定电流 Rated Current [A]		0.5~4.0	0.5~4.0
导线截面积 Conductor cross section	硬质导线 Solid [mm ²]	0.5~4.0	
	柔性导线 Flexible [mm ²]	0.5~4.0	
材料 Material		PA66	
绝缘材料 Insulation Material		UL94V-0	
阻燃等级 Flame retardant rating		Copper alloy	
导体材料 Conductor Material		Sn plated	
导体表面镀层 Plating of conductor surface		一般参数 Other Data	
间距/极数 Pitch/Poles [mm]/[P]	6.35/2~24	间距/极数 Pitch/Poles [mm]/[P]	6.35/2~24
剥线长度 Stripping Length [mm]	7~8	剥线长度 Stripping Length [mm]	7~8
螺丝/扭矩 Screw/Torque(Max) [N.m]	M3/0.5	螺丝/扭矩 Screw/Torque(Max) [N.m]	M3/0.5
工作温度 Operating temperature [°C]	-40~+105	工作温度 Operating temperature [°C]	-40~+105
焊接温度 Soldering temperature	260°C /5S	焊接温度 Soldering temperature	260°C /5S
引针尺寸 Pin dimensions [mm]	0.8*1.0	引针尺寸 Pin dimensions [mm]	0.8*1.0
PCB板孔径 PCB Hole Diameter [mm]	Ø1.5	PCB板孔径 PCB Hole Diameter [mm]	Ø1.5





Pitch:7.5mm

WJ750-7.5



Pitch:7.62mm

WJ762-7.62



Pitch:9.5mm

WJ950-9.5



Pitch:9.52mm

WJ952S-9.52



Pitch:10.16mm

WJ116V-10.16



Pitch:10.16mm

WJ116VW-10.16

UL/CUL 技术参数		UL/CUL Technical Data		UL/CUL 技术参数	
等级	Use Group	B	C	D	
额定电压	Rated Voltage [V]	300	-	300	
额定电流	Rated Current [A]	30	-	10	
接线范围	单芯线 Solid [AWG]	26~10			
	多芯线 Stranded [AWG]	26~10			
耐电压	Dielectric Voltage-Withstand	1.6KV			
IEC 技术参数		IEC Technical Data		IEC 技术参数	
过电压类别	Overvoltage Category	III	III	II	
污染等级	Contamination Class	3	2	2	
额定电压	Rated Voltage [V]	450	630	1000	
额定电流	Rated Current [A]	32	32	32	
额定冲击电压	Impulse withstand voltage [KV]	6	6	6	
导线截面积	硬质导线 Solid [mm ²]	0.5~4.0			
	柔性导线 Flexible [mm ²]	0.5~4.0			
材料 Material		PA66		PA66	
阻燃等级	Flame retardant rating	UL94V-0			
导体材料	Conductor Material	Copper alloy			
导体表面镀层	Plating of conductor surface	Sn plated			
一般参数 Other Data		Pitch/Poles [mm]/[P]		7.5/2~24	
间距/极数		剥线长度 Stripping Length [mm]		7	
螺丝/扭矩	Screw/Torque(Max) [N.m]	M3/0.5			
工作温度	Operating temperature [°C]	-40~+105			
焊接温度	Soldering temperature	260°C /5S			
引针尺寸	Pin dimensions [mm]	0.8*1.0			
PCB板孔径	PCB Hole Diameter [mm]	Ø1.5			

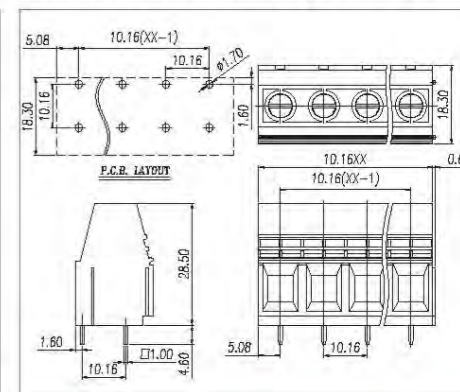
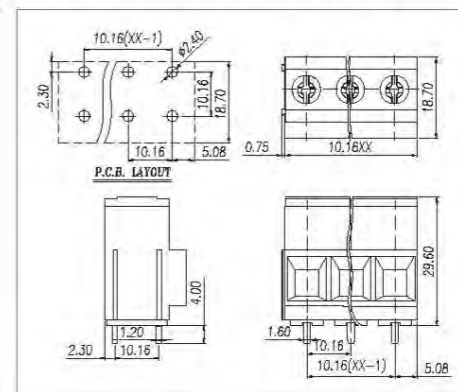
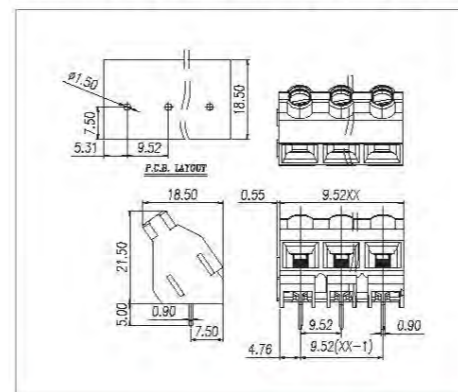
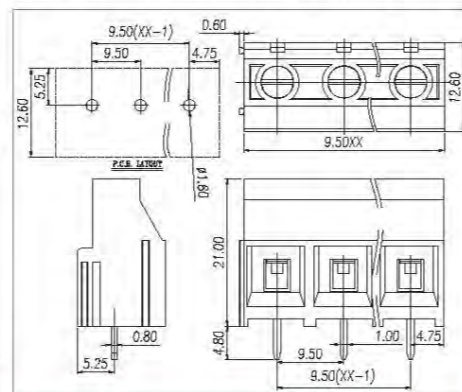
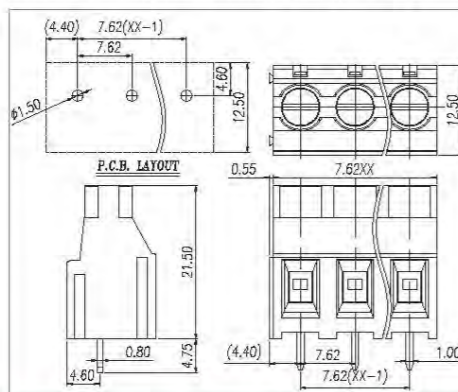
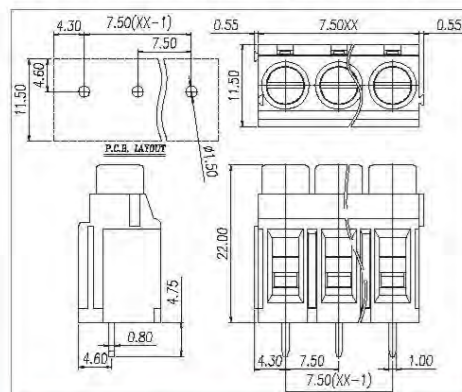
UL/CUL 技术参数		UL/CUL Technical Data		UL/CUL 技术参数	
等级	Use Group	B	C	D	
额定电压	Rated Voltage [V]	300	-	300	
额定电流	Rated Current [A]	30	-	10	
接线范围	单芯线 Solid [AWG]	26~10			
	多芯线 Stranded [AWG]	26~10			
耐电压	Dielectric Voltage-Withstand	1.6KV			
IEC 技术参数		IEC Technical Data		IEC 技术参数	
过电压类别	Overvoltage Category	III	III	II	
污染等级	Contamination Class	3	2	2	
额定电压	Rated Voltage [V]	500	630	1000	
额定电流	Rated Current [A]	32	32	32	
额定冲击电压	Impulse withstand voltage [KV]	6	6	6	
导线截面积	硬质导线 Solid [mm ²]	0.5~4.0			
	柔性导线 Flexible [mm ²]	0.5~4.0			
材料 Material		PA66		PA66	
阻燃等级	Flame retardant rating	UL94V-0			
导体材料	Conductor Material	Copper alloy			
导体表面镀层	Plating of conductor surface	Sn plated			
一般参数 Other Data		Pitch/Poles [mm]/[P]		7.62/2~24	
间距/极数		剥线长度 Stripping Length [mm]		6~7	
螺丝/扭矩	Screw/Torque(Max) [N.m]	M3/0.5			
工作温度	Operating temperature [°C]	-40~+105			
焊接温度	Soldering temperature	260°C /5S			
引针尺寸	Pin dimensions [mm]	0.8*1.0			
PCB板孔径	PCB Hole Diameter [mm]	Ø1.5			

UL/CUL 技术参数		UL/CUL Technical Data		UL/CUL 技术参数	
等级	Use Group	B	C	D	
额定电压	Rated Voltage [V]	300	300	300	
额定电流	Rated Current [A]	30	30	10	
接线范围	单芯线 Solid [AWG]	26~10			
	多芯线 Stranded [AWG]	26~10			
耐电压	Dielectric Voltage-Withstand	1.6KV			
IEC 技术参数		IEC Technical Data		IEC 技术参数	
过电压类别	Overvoltage Category	III	III	II	
污染等级	Contamination Class	3	2	2	
额定电压	Rated Voltage [V]	630	1000	1000	
额定电流	Rated Current [A]	32	32	32	
额定冲击电压	Impulse withstand voltage [KV]	8	8	8	
导线截面积	硬质导线 Solid [mm ²]	0.5~4.0			
	柔性导线 Flexible [mm ²]	0.5~4.0			
材料 Material		PA66		PA66	
阻燃等级	Flame retardant rating	UL94V-0			
导体材料	Conductor Material	Copper alloy			
导体表面镀层	Plating of conductor surface	Sn plated			
一般参数 Other Data		Pitch/Poles [mm]/[P]		9.5/2~24	
间距/极数		剥线长度 Stripping Length [mm]		6~7	
螺丝/扭矩	Screw/Torque(Max) [N.m]	M3/0.5			
工作温度	Operating temperature [°C]	-40~+105			
焊接温度	Soldering temperature	260°C /5S			
引针尺寸	Pin dimensions [mm]	0.8*1.0			
PCB板孔径	PCB Hole Diameter [mm]	Ø1.6			

UL/CUL 技术参数		UL/CUL Technical Data		UL/CUL 技术参数	
等级	Use Group	B	C	D	
额定电压	Rated Voltage [V]	300	300	600	
额定电流	Rated Current [A]	30	30	5	
接线范围	单芯线 Solid [AWG]	30~10			
	多芯线 Stranded [AWG]	30~10			
耐电压	Dielectric Voltage-Withstand	1.6KV			
IEC 技术参数		IEC Technical Data		IEC 技术参数	
过电压类别	Overvoltage Category	III	III	II	
污染等级	Contamination Class	3	2	2	
额定电压	Rated Voltage [V]	690	1000	1000	
额定电流	Rated Current [A]	32	32	32	
额定冲击电压	Impulse withstand voltage [KV]	6	6	6	
导线截面积	硬质导线 Solid [mm ²]	0.2~6.0			
	柔性导线 Flexible [mm ²]	0.2~4.0			
材料 Material		PA66		PA66	
阻燃等级	Flame retardant rating	UL94V-0			
导体材料	Conductor Material	Copper alloy			
导体表面镀层	Plating of conductor surface	Sn plated			
一般参数 Other Data		Pitch/Poles [mm]/[P]		9.52/2~14	
间距/极数		剥线长度 Stripping Length [mm]		6~7	
螺丝/扭矩	Screw/Torque(Max) [N.m]	M3.5/0.8			
工作温度	Operating temperature [°C]	-40~+105			
焊接温度	Soldering temperature	260°C /5S			
引针尺寸	Pin dimensions [mm]	0.9*0.9			
PCB板孔径	PCB Hole Diameter [mm]	Ø1.5			

UL/CUL 技术参数		UL/CUL Technical Data		UL/CUL 技术参数	
等级	Use Group	B	C	D	
额定电压	Rated Voltage [V]	300	300	600	
额定电流	Rated Current [A]	52	52	5	
接线范围	单芯线 Solid [AWG]	20~6			
	多芯线 Stranded [AWG]	20~6			
耐电压	Dielectric Voltage-Withstand	2.2KV			
IEC 技术参数		IEC Technical Data		IEC 技术参数	
过电压类别	Overvoltage Category	III	III	II	
污染等级	Contamination Class	3	2	2	
额定电压	Rated Voltage [V]	630	1000	1000	
额定电流	Rated Current [A]	57	57	57	
额定冲击电压	Impulse withstand voltage [KV]	8	8	8	
导线截面积	硬质导线 Solid [mm ²]	2.5~10			
	柔性导线 Flexible [mm ²]	2.5~10			
材料 Material		PA66		PA66	
阻燃等级	Flame retardant rating	UL94V-0			
导体材料	Conductor Material	Copper alloy			
导体表面镀层	Plating of conductor surface	Sn plated			
一般参数 Other Data		Pitch/Poles [mm]/[P]		10.16/2~24	
间距/极数		剥线长度 Stripping Length [mm]		10	
螺丝/扭矩	Screw/Torque(Max) [N.m]	M4/1.2			
工作温度	Operating temperature [°C]	-40~+105			
焊接温度	Soldering temperature	260°C /5S			
引针尺寸	Pin dimensions [mm]	1.2*1.6			
PCB板孔径	PCB Hole Diameter [mm]	Ø2.4			

UL/CUL 技术参数		UL/CUL Technical Data		UL/CUL 技术参数	
等级	Use Group	B	C	D	
额定电压	Rated Voltage [V]	600	600	600	
额定电流	Rated Current [A]	65	65	5	
接线范围	单芯线 Solid [AWG]	20~6			
	多芯线 Stranded [AWG]	20~6			
耐电压	Dielectric Voltage-Withstand	2.2KV			
IEC 技术参数		IEC Technical Data		IEC 技术参数	
过电压类别	Overvoltage Category	III	III	II	
污染等级	Contamination Class	3	2	2	
额定电压	Rated Voltage [V]	630	1000	1000	
额定电流	Rated Current [A]	57	57	57	
额定冲击电压	Impulse withstand voltage [KV]	8	8	8	
导线截面积	硬质导线 Solid [mm ²]	2.5~16			
	柔性导线 Flexible [mm ²]	2.5~16			
材料 Material		PA66		PA66	
阻燃等级	Flame retardant rating	UL94V-0			
导体材料	Conductor Material	Copper alloy			
导体表面镀层	Plating of conductor surface	Sn plated			
一般参数 Other Data		Pitch/Poles [mm]/[P]		10.16/2~16	
间距/极数		剥线长度 Stripping Length [mm]		11~12	
螺丝/扭矩	Screw/Torque(Max) [N.m]	M4/1.2			
工作温度	Operating temperature [°C]	-40~+105			
焊接温度	Soldering temperature	260°C /5S			
引针尺寸	Pin dimensions [mm]	1.0*1.0			
PCB板孔径	PCB Hole Diameter [mm]	Ø1.7			

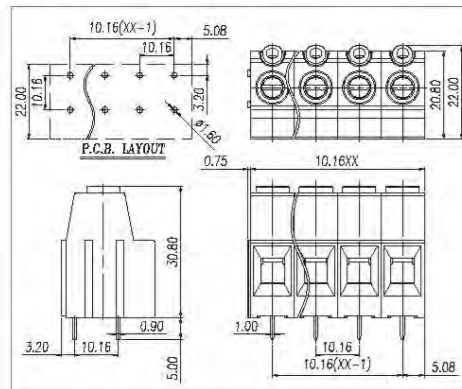




Pitch:10.16mm

WJ116VK-10.16

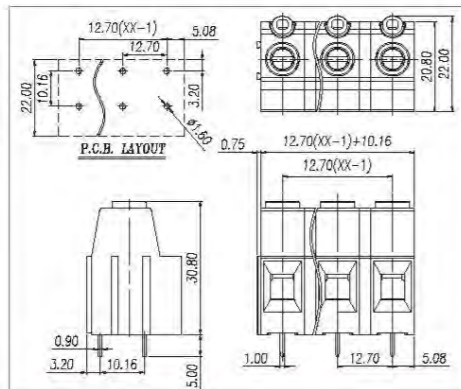
UL/CUL 技术参数		UL/CUL Technical Data		
等级	Use Group	B	C	D
额定电压	Rated Voltage [V]	600	600	600
额定电流	Rated Current [A]	65	65	5
接线范围	单芯线 Solid [AWG]	20~6		
	多芯线 Stranded [AWG]	20~6		
耐电压	Dielectric Voltage-Withstand	2.2KV		
IEC 技术参数		IEC Technical Data		
过电压类别	Overvoltage Category	II	III	II
污染等级	Contamination Class	3	2	2
额定电压	Rated Voltage [V]	630	1000	1000
额定电流	Rated Current [A]	76	76	76
额定冲击电压	Impulse withstand voltage [KV]	8	8	8
导线截面积	硬质导线 Solid [mm ²]	2.5~16		
	柔性导线 Flexible [mm ²]	2.5~16		
材料 Material		PA66		
绝缘材料	Insulation Material	PA66		
阻燃等级	Flame retardant rating	UL94V-0		
导体材料	Conductor Material	Copper alloy		
导体表面镀层	Plating of conductor surface	Sn plated		
一般参数 Other Data		10.16/1~14		
间距/极数	Pitch/Poles [mm]/[P]	10.16/1~14		
剥线长度	Stripping Length [mm]	10		
螺丝/扭矩	Screw/Torque(Max) [N.m]	M4/1.2		
工作温度	Operating temperature [°C]	-40~+105		
焊锡温度	Soldering temperature	260°C /5S		
引针尺寸	Pin dimensions [mm]	0.9*1.0		
PCB板孔径	PCB Hole Diameter [mm]	Ø1.6		



Pitch:12.7mm

WJ116VK-12.7

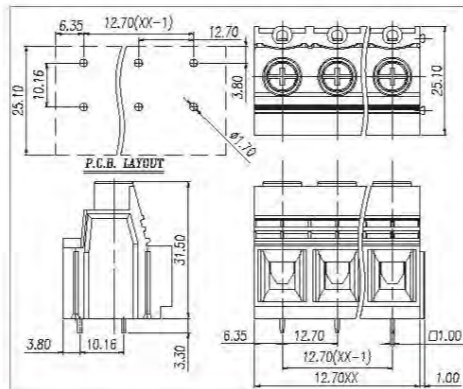
UL/CUL 技术参数		UL/CUL Technical Data		
等级	Use Group	B	C	D
额定电压	Rated Voltage [V]	600	600	600
额定电流	Rated Current [A]	65	65	5
接线范围	单芯线 Solid [AWG]	20~6		
	多芯线 Stranded [AWG]	20~6		
耐电压	Dielectric Voltage-Withstand	2.2KV		
IEC 技术参数		IEC Technical Data		
过电压类别	Overvoltage Category	II	III	II
污染等级	Contamination Class	3	2	2
额定电压	Rated Voltage [V]	630	1000	1000
额定电流	Rated Current [A]	76	76	76
额定冲击电压	Impulse withstand voltage [KV]	8	8	8
导线截面积	硬质导线 Solid [mm ²]	2.5~16		
	柔性导线 Flexible [mm ²]	2.5~16		
材料 Material		PA66		
绝缘材料	Insulation Material	PA66		
阻燃等级	Flame retardant rating	UL94V-0		
导体材料	Conductor Material	Copper alloy		
导体表面镀层	Plating of conductor surface	Sn plated		
一般参数 Other Data		12.7/2~14		
间距/极数	Pitch/Poles [mm]/[P]	12.7/2~14		
剥线长度	Stripping Length [mm]	10		
螺丝/扭矩	Screw/Torque(Max) [N.m]	M4/1.2		
工作温度	Operating temperature [°C]	-40~+105		
焊锡温度	Soldering temperature	260°C /5S		
引针尺寸	Pin dimensions [mm]	0.9*1.0		
PCB板孔径	PCB Hole Diameter [mm]	Ø1.6		



Pitch:12.7mm

WJ117-12.7

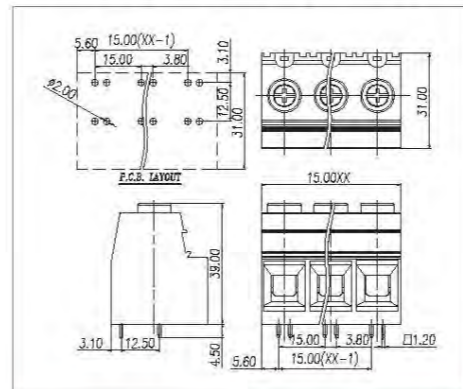
UL/CUL 技术参数		UL/CUL Technical Data		
等级	Use Group	B	C	D
额定电压	Rated Voltage [V]	600	600	600
额定电流	Rated Current [A]	65	65	5
接线范围	单芯线 Solid [AWG]	20~6		
	多芯线 Stranded [AWG]	20~6		
耐电压	Dielectric Voltage-Withstand	2.2KV		
IEC 技术参数		IEC Technical Data		
过电压类别	Overvoltage Category	II	III	II
污染等级	Contamination Class	3	2	2
额定电压	Rated Voltage [V]	1000	1000	1000
额定电流	Rated Current [A]	57	57	57
额定冲击电压	Impulse withstand voltage [KV]	8	8	8
导线截面积	硬质导线 Solid [mm ²]	2.5~16		
	柔性导线 Flexible [mm ²]	2.5~16		
材料 Material		PA66		
绝缘材料	Insulation Material	PA66		
阻燃等级	Flame retardant rating	UL94V-0		
导体材料	Conductor Material	Copper alloy		
导体表面镀层	Plating of conductor surface	Sn plated		
一般参数 Other Data		12.7/2~16		
间距/极数	Pitch/Poles [mm]/[P]	12.7/2~16		
剥线长度	Stripping Length [mm]	11~12		
螺丝/扭矩	Screw/Torque(Max) [N.m]	M4/1.2		
工作温度	Operating temperature [°C]	-40~+105		
焊锡温度	Soldering temperature	260°C /5S		
引针尺寸	Pin dimensions [mm]	1.0*1.0		
PCB板孔径	PCB Hole Diameter [mm]	Ø1.7		



Pitch:15.0mm

WJ118-15.0

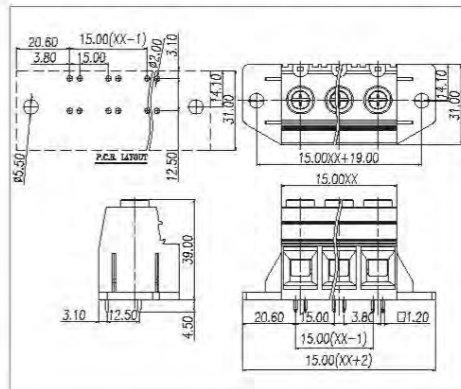
UL/CUL 技术参数		UL/CUL Technical Data		
等级	Use Group	B	C	D
额定电压	Rated Voltage [V]	600	600	600
额定电流	Rated Current [A]	115	115	5
接线范围	单芯线 Solid [AWG]	20~2		
	多芯线 Stranded [AWG]	20~2		
耐电压	Dielectric Voltage-Withstand	2.2KV		
IEC 技术参数		IEC Technical Data		
过电压类别	Overvoltage Category	II	III	II
污染等级	Contamination Class	3	2	2
额定电压	Rated Voltage [V]	1000	1000	1000
额定电流	Rated Current [A]	125	125	125
额定冲击电压	Impulse withstand voltage [KV]	8	8	8
导线截面积	硬质导线 Solid [mm ²]	0.5~35		
	柔性导线 Flexible [mm ²]	0.5~35		
材料 Material		PA66		
绝缘材料	Insulation Material	PA66		
阻燃等级	Flame retardant rating	UL94V-0		
导体材料	Conductor Material	Copper alloy		
导体表面镀层	Plating of conductor surface	Sn plated		
一般参数 Other Data		15.0/1~12		
间距/极数	Pitch/Poles [mm]/[P]	15.0/1~12		
剥线长度	Stripping Length [mm]	17~18		
螺丝/扭矩	Screw/Torque(Max) [N.m]	M5/2.0		
工作温度	Operating temperature [°C]	-40~+105		
焊锡温度	Soldering temperature	260°C /5S		
引针尺寸	Pin dimensions [mm]	1.2*1.2		
PCB板孔径	PCB Hole Diameter [mm]	Ø2.0		



Pitch:15.0mm

WJ118M-15.0

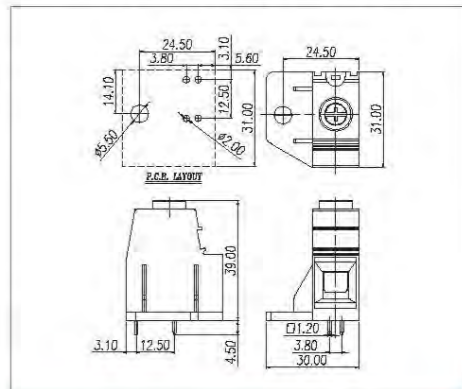
UL/CUL 技术参数		UL/CUL Technical Data		
等级	Use Group	B	C	D
额定电压	Rated Voltage [V]	600	600	600
额定电流	Rated Current [A]	115	115	5
接线范围	单芯线 Solid [AWG]	20~2		
	多芯线 Stranded [AWG]	20~2		
耐电压	Dielectric Voltage-Withstand	2.2KV		
IEC 技术参数		IEC Technical Data		
过电压类别	Overvoltage Category	II	III	II
污染等级	Contamination Class	3	2	2
额定电压	Rated Voltage [V]	1000	1000	1000
额定电流	Rated Current [A]	125	125	125
额定冲击电压	Impulse withstand voltage [KV]	8	8	8
导线截面积	硬质导线 Solid [mm ²]	0.5~35		
	柔性导线 Flexible [mm ²]	0.5~35		
材料 Material		PA66		
绝缘材料	Insulation Material	PA66		
阻燃等级	Flame retardant rating	UL94V-0		
导体材料	Conductor Material	Copper alloy		
导体表面镀层	Plating of conductor surface	Sn plated		
一般参数 Other Data		15.0/2~10		
间距/极数	Pitch/Poles [mm]/[P]	15.0/2~10		
剥线长度	Stripping Length [mm]	17~18		
螺丝/扭矩	Screw/Torque(Max) [N.m]	M5/2.0		
工作温度	Operating temperature [°C]	-40~+105		
焊锡温度	Soldering temperature	260°C /5S		
引针尺寸	Pin dimensions [mm]	1.2*1.2		
PCB板孔径	PCB Hole Diameter [mm]	Ø2.0		



Pitch:15.0mm

WJ118ML-15.0

UL/CUL 技术参数		UL/CUL Technical Data		
等级	Use Group	B	C	D
额定电压	Rated Voltage [V]	600	600	600
额定电流	Rated Current [A]	115	115	5
接线范围	单芯线 Solid [AWG]	20~2		
	多芯线 Stranded [AWG]	20~2		
耐电压	Dielectric Voltage-Withstand	2.2KV		
IEC 技术参数		IEC Technical Data		
过电压类别	Overvoltage Category	II	III	II
污染等级	Contamination Class	3	2	2
额定电压	Rated Voltage [V]	1000	1000	1000
额定电流	Rated Current [A]	125	125	125
额定冲击电压	Impulse withstand voltage [KV]	8	8	8
导线截面积	硬质导线 Solid [mm ²]	0.5~35		
	柔性导线 Flexible [mm ²]	0.5~35		
材料 Material		PA66		
绝缘材料	Insulation Material	PA66		
阻燃等级	Flame retardant rating	UL94V-0		
导体材料	Conductor Material	Copper alloy		
导体表面镀层	Plating of conductor surface	Sn plated		
一般参数 Other Data		15.0/1		
间距/极数	Pitch/Poles [mm]/[P]	15.0/1		
剥线长度	Stripping Length [mm]	17~18		
螺丝/扭矩	Screw/Torque(Max) [N.m]	M5/2.0		
工作温度	Operating temperature [°C]	-40~+105		
焊锡温度	Soldering temperature	260°C /5S		
引针尺寸	Pin dimensions [mm]	1.2*1.2		
PCB板孔径	PCB Hole Diameter [mm]	Ø2.0		

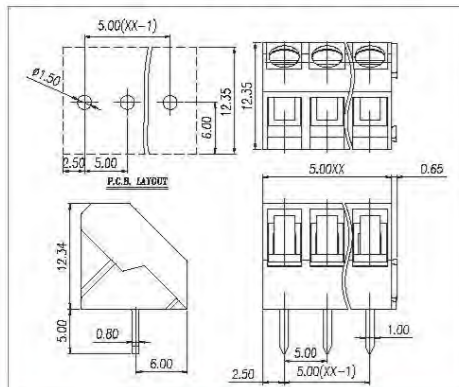




Pitch:5.0mm

WJ330-5.0

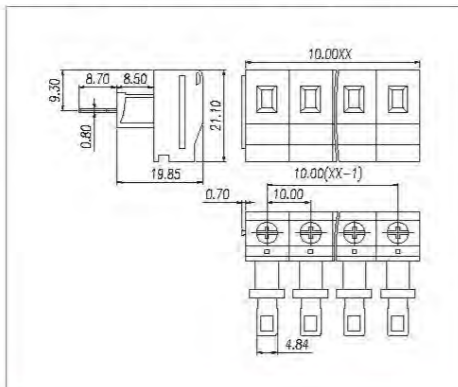
UL/CUL 技术参数 UL/CUL Technical Data				
等级 Use Group	B C D			
额定电压 Rated Voltage [V]	300 - -			
额定电流 Rated Current [A]	15 - -			
接线范围 Wire Range	单芯线 Solid [AWG] 28~14 多芯线 Stranded [AWG] 28~14			
耐电压 Dielectric Voltage-Withstand	1.6KV			
IEC 技术参数 IEC Technical Data				
过电压类别 Overvoltage Category	II III II			
污染等级 Contamination Class	3 2 2			
额定电压 Rated Voltage [V]	250 400 630			
额定电流 Rated Current [A]	24 24 24			
额定冲击电压 Impulse withstand voltage [KV]	4 4 4			
导线截面积 Conductor cross section	硬质导线 Solid [mm ²] 0.5~2.5 柔性导线 Flexible [mm ²] 0.5~2.5			
材料 Material	绝缘材料 Insulation Material PA66 阻燃等级 Flame retardant rating UL94V-0 导体材料 Conductor Material Copper alloy 导体表面镀层 Plating of conductor surface Sn plated			
一般参数 Other Data				
间距/极数 Pitch/Poles [mm]/[P]	5.0/2~24			
剥线长度 Stripping Length [mm]	4.5~5			
螺丝/扭矩 Screw/Torque(Max) [N.m]	M2.5/0.4			
工作温度 Operating temperature [°C]	-40~+105			
焊接温度 Soldering temperature	260°C /5S			
引针尺寸 Pin dimensions [mm]	0.8*1.0			
PCB板孔径 PCB Hole Diameter [mm]	Ø1.5			



Pitch:10.0mm

WJ410-10.0

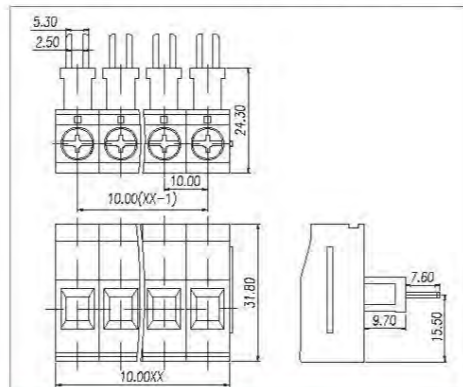
UL/CUL 技术参数 UL/CUL Technical Data				
等级 Use Group	B C D			
额定电压 Rated Voltage [V]	300 - 300			
额定电流 Rated Current [A]	20 - 10			
接线范围 Wire Range	单芯线 Solid [AWG] 26~12 多芯线 Stranded [AWG] 26~12			
耐电压 Dielectric Voltage-Withstand	2KV			
IEC 技术参数 IEC Technical Data				
过电压类别 Overvoltage Category	III III II			
污染等级 Contamination Class	3 2 2			
额定电压 Rated Voltage [V]	250 400 630			
额定电流 Rated Current [A]	24 24 24			
额定冲击电压 Impulse withstand voltage [KV]	6 6 6			
导线截面积 Conductor cross section	硬质导线 Solid [mm ²] 0.5~2.5 柔性导线 Flexible [mm ²] 0.5~2.5			
材料 Material	绝缘材料 Insulation Material PA66 阻燃等级 Flame retardant rating UL94V-0 导体材料 Conductor Material Copper alloy 导体表面镀层 Plating of conductor surface Sn plated			
一般参数 Other Data				
间距/极数 Pitch/Poles [mm]/[P]	10.0/1~24			
剥线长度 Stripping Length [mm]	4.5~5			
螺丝/扭矩 Screw/Torque(Max) [N.m]	M3/0.5			
工作温度 Operating temperature [°C]	-40~+105			
焊接温度 Soldering temperature	260°C /5S			
引针尺寸 Pin dimensions [mm]	/			
PCB板孔径 PCB Hole Diameter [mm]	/			



Pitch:10.0mm

WJ1010-10.0

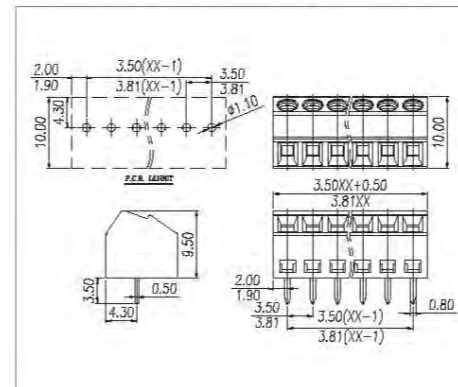
UL/CUL 技术参数 UL/CUL Technical Data				
等级 Use Group	B C D			
额定电压 Rated Voltage [V]	300 - 300			
额定电流 Rated Current [A]	30 - 10			
接线范围 Wire Range	单芯线 Solid [AWG] 26~10 多芯线 Stranded [AWG] 26~10			
耐电压 Dielectric Voltage-Withstand	1.6KV			
IEC 技术参数 IEC Technical Data				
过电压类别 Overvoltage Category	III III II			
污染等级 Contamination Class	3 2 2			
额定电压 Rated Voltage [V]	250 400 630			
额定电流 Rated Current [A]	32 32 32			
额定冲击电压 Impulse withstand voltage [KV]	6 6 6			
导线截面积 Conductor cross section	硬质导线 Solid [mm ²] 0.5~4.0 柔性导线 Flexible [mm ²] 0.5~4.0			
材料 Material	绝缘材料 Insulation Material PA66 阻燃等级 Flame retardant rating UL94V-0 导体材料 Conductor Material Copper alloy 导体表面镀层 Plating of conductor surface Sn plated			
一般参数 Other Data				
间距/极数 Pitch/Poles [mm]/[P]	10.0/1~24			
剥线长度 Stripping Length [mm]	4.5~5			
螺丝/扭矩 Screw/Torque(Max) [N.m]	M4/1.2			
工作温度 Operating temperature [°C]	-40~+105			
焊接温度 Soldering temperature	260°C /5S			
引针尺寸 Pin dimensions [mm]	/			
PCB板孔径 PCB Hole Diameter [mm]	/			



Pitch:3.5/3.81mm

XD350-3.5/XD381-3.81

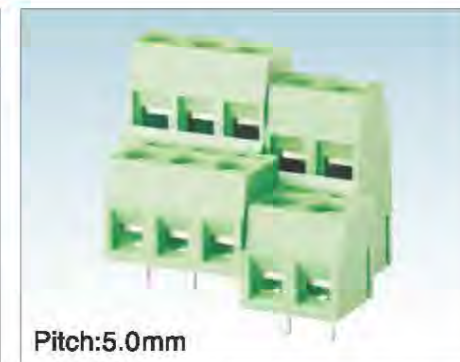
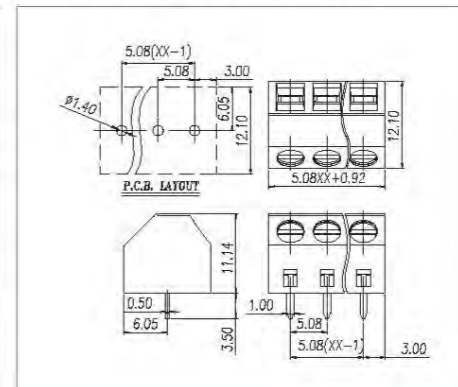
UL/CUL 技术参数 UL/CUL Technical Data				
等级 Use Group	B C D			
额定电压 Rated Voltage [V]	300 - 300			
额定电流 Rated Current [A]	10 - 10			
接线范围 Wire Range	单芯线 Solid [AWG] 26~16 多芯线 Stranded [AWG] 26~16			
耐电压 Dielectric Voltage-Withstand	1.6KV			
IEC 技术参数 IEC Technical Data				
过电压类别 Overvoltage Category	III III II			
污染等级 Contamination Class	3 2 2			
额定电压 Rated Voltage [V]	160 200 400			
额定电流 Rated Current [A]	10 10 10			
额定冲击电压 Impulse withstand voltage [KV]	2.5 2.5 2.5			
导线截面积 Conductor cross section	硬质导线 Solid [mm ²] 0.2~1.5 柔性导线 Flexible [mm ²] 0.2~1.5			
材料 Material	绝缘材料 Insulation Material PA66 阻燃等级 Flame retardant rating UL94V-0 导体材料 Conductor Material Copper alloy 导体表面镀层 Plating of conductor surface Sn plated			
一般参数 Other Data				
间距/极数 Pitch/Poles [mm]/[P]	3.5,3.81/2~24			
剥线长度 Stripping Length [mm]	5			
螺丝/扭矩 Screw/Torque(Max) [N.m]	M2/0.2			
工作温度 Operating temperature [°C]	-40~+105			
焊接温度 Soldering temperature	260°C /5S			
引针尺寸 Pin dimensions [mm]	0.5*0.8			
PCB板孔径 PCB Hole Diameter [mm]	Ø1.1			



Pitch:5.08mm

XD508-5.08

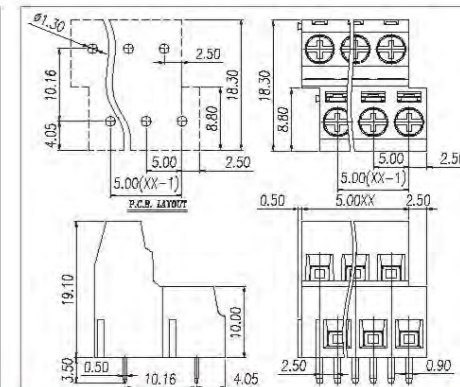
UL/CUL 技术参数 UL/CUL Technical Data				
等级 Use Group	B C D			
额定电压 Rated Voltage [V]	300 - 300			
额定电流 Rated Current [A]	15 - 10			
接线范围 Wire Range	单芯线 Solid [AWG] 26~14 多芯线 Stranded [AWG] 26~14			
耐电压 Dielectric Voltage-Withstand	1.6KV			
IEC 技术参数 IEC Technical Data				
过电压类别 Overvoltage Category	III III II			
污染等级 Contamination Class	3 2 2			
额定电压 Rated Voltage [V]	250 400 630			
额定电流 Rated Current [A]	17.5 17.5 17.5			
额定冲击电压 Impulse withstand voltage [KV]	4 4 4			
导线截面积 Conductor cross section	硬质导线 Solid [mm ²] 0.5~1.5 柔性导线 Flexible [mm ²] 0.5~1.5			
材料 Material	绝缘材料 Insulation Material PA66 阻燃等级 Flame retardant rating UL94V-0 导体材料 Conductor Material Copper alloy 导体表面镀层 Plating of conductor surface Sn plated			
一般参数 Other Data				
间距/极数 Pitch/Poles [mm]/[P]	5.08/2~24			
剥线长度 Stripping Length [mm]	6~7			
螺丝/扭矩 Screw/Torque(Max) [N.m]	M3/0.5			
工作温度 Operating temperature [°C]	-40~+105			
焊接温度 Soldering temperature	260°C /5S			
引针尺寸 Pin dimensions [mm]	0.5*1.0			
PCB板孔径 PCB Hole Diameter [mm]	Ø1.4			



Pitch:5.0mm

WJA500-5.0

UL/CUL 技术参数 UL/CUL Technical Data				
等级 Use Group	B C D			
额定电压 Rated Voltage [V]	300 - 300			
额定电流 Rated Current [A]	12 - 10			
接线范围 Wire Range	单芯线 Solid [AWG] 26~14 多芯线 Stranded [AWG] 26~14			
耐电压 Dielectric Voltage-Withstand	1.6KV			
IEC 技术参数 IEC Technical Data				
过电压类别 Overvoltage Category	III III II			
污染等级 Contamination Class	3 2 2			
额定电压 Rated Voltage [V]	160 250 400			
额定电流 Rated Current [A]	17.5 17.5 17.5			
额定冲击电压 Impulse withstand voltage [KV]	4 4 4			
导线截面积 Conductor cross section	硬质导线 Solid [mm ²] 0.5~1.5 柔性导线 Flexible [mm ²] 0.5~1.5			
材料 Material	绝缘材料 Insulation Material PA66 阻燃等级 Flame retardant rating UL94V-0 导体材料 Conductor Material Copper alloy 导体表面镀层 Plating of conductor surface Sn plated			
一般参数 Other Data				
间距/极数 Pitch/Poles [mm]/[P]	5.0/2~2~24			
剥线长度 Stripping Length [mm]	5~6			
螺丝/扭矩 Screw/Torque(Max) [N.m]	M2.5/0.4			
工作温度 Operating temperature [°C]	-40~+105			
焊接温度 Soldering temperature	260°C /5S			
引针尺寸 Pin dimensions [mm]	0.5*0.9			
PCB板孔径 PCB Hole Diameter [mm]	Ø1.3			

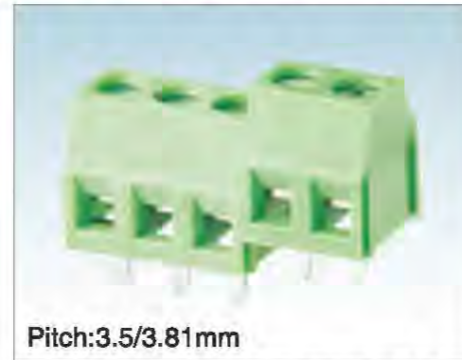




Pitch:5.08mm
WJA508-5.08



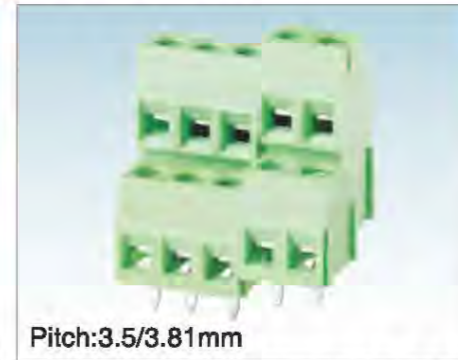
Pitch:2.54mm
WJEK254-2.54



Pitch:3.5/3.81mm
WJEK350-3.5/WJEK381-3.81



Pitch:3.5/3.81mm
WJEEK350-3.5/WJEEK381-3.81



Pitch:3.5/3.81mm
WJEK350A-3.5/WJEK381A-3.81



Pitch:3.5/3.81mm
WJEK350B-3.5/WJEK381B-3.81

UL/CUL 技术参数 UL/CUL Technical Data			
等级 Use Group	B C D		
额定电压 Rated Voltage [V]	300 - 300		
额定电流 Rated Current [A]	12 - 10		
接线范围 Wire Range	单芯线 Solid [AWG] 26~14 多芯线 Stranded [AWG] 26~14		
耐电压 Dielectric Voltage-Withstand	1.6KV		
IEC 技术参数 IEC Technical Data			
过电压类别 Overvoltage Category	II III III		
污染等级 Contamination Class	3 2 2		
额定电压 Rated Voltage [V]	160 250 400		
额定电流 Rated Current [A]	17.5 17.5 17.5		
额定冲击电压 Impulse withstand voltage [KV]	4 4 4		
导线截面积 Conductor cross section	硬质导线 Solid [mm ²] 0.5~1.5 柔性导线 Flexible [mm ²] 0.5~1.5		
材料 Material			
绝缘材料 Insulation Material	PA66		
阻燃等级 Flame retardant rating	UL94V-0		
导体材料 Conductor Material	Copper alloy		
导体表面镀层 Plating of conductor surface	Sn plated		
一般参数 Other Data			
间距/极数 Pitch/Poles [mm]/[P]	5.08/2*2-2*30		
剥线长度 Stripping Length [mm]	5~6		
螺丝/扭矩 Screw/Torque(Max) [N.m]	M3/0.5		
工作温度 Operating temperature [°C]	-40~+105		
焊锡温度 Soldering temperature	260°C /5S		
引针尺寸 Pin dimensions [mm]	0.5*0.9		
PCB板孔径 PCB Hole Diameter [mm]	Ø1.3		

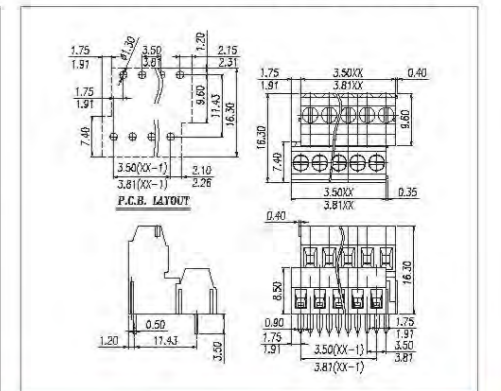
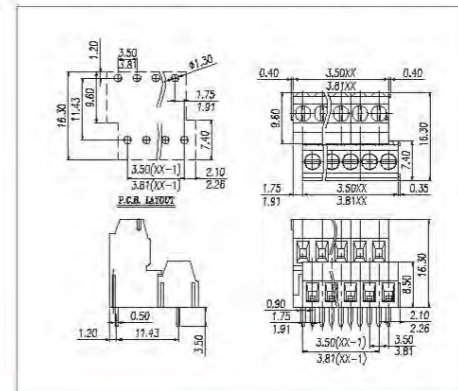
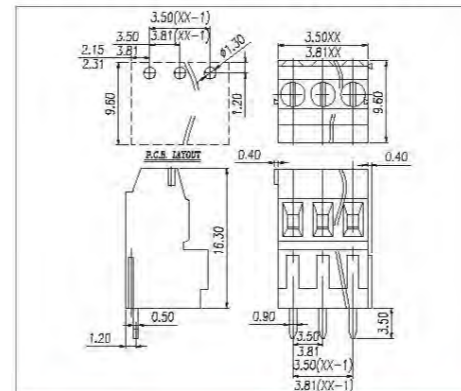
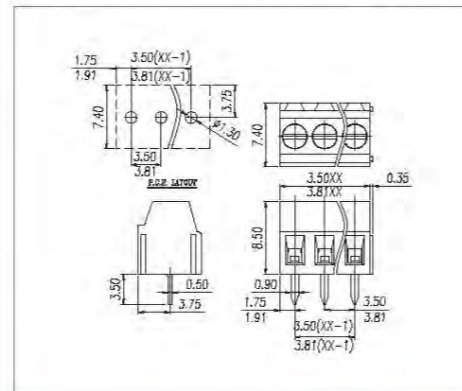
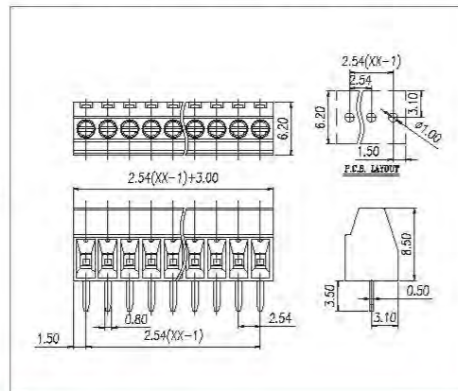
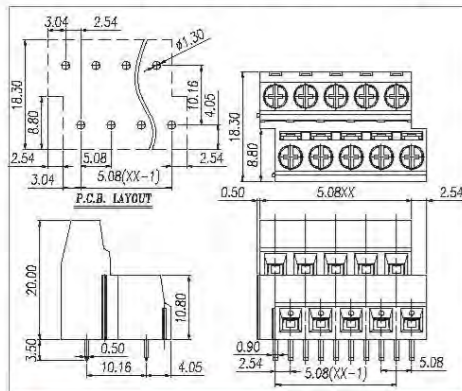
UL/CUL 技术参数 UL/CUL Technical Data			
等级 Use Group	B C D		
额定电压 Rated Voltage [V]	150 - -		
额定电流 Rated Current [A]	7 - -		
接线范围 Wire Range	单芯线 Solid [AWG] 26~18 多芯线 Stranded [AWG] 26~18		
耐电压 Dielectric Voltage-Withstand	1.3KV		
IEC 技术参数 IEC Technical Data			
过电压类别 Overvoltage Category	III III III		
污染等级 Contamination Class	3 2 2		
额定电压 Rated Voltage [V]	63 130 320		
额定电流 Rated Current [A]	8 8 8		
额定冲击电压 Impulse withstand voltage [KV]	1.5 1.5 2.5		
导线截面积 Conductor cross section	硬质导线 Solid [mm ²] 0.5~1.0 柔性导线 Flexible [mm ²] 0.5~1.0		
材料 Material			
绝缘材料 Insulation Material	PA66		
阻燃等级 Flame retardant rating	UL94V-0		
导体材料 Conductor Material	Copper alloy		
导体表面镀层 Plating of conductor surface	Sn plated		
一般参数 Other Data			
间距/极数 Pitch/Poles [mm]/[P]	2.54/2~24		
剥线长度 Stripping Length [mm]	4~5		
螺丝/扭矩 Screw/Torque(Max) [N.m]	M1.6/0.1		
工作温度 Operating temperature [°C]	-40~+105		
焊锡温度 Soldering temperature	260°C /5S		
引针尺寸 Pin dimensions [mm]	0.5*0.8		
PCB板孔径 PCB Hole Diameter [mm]	Ø1.0		

UL/CUL 技术参数 UL/CUL Technical Data			
等级 Use Group	B C D		
额定电压 Rated Voltage [V]	300 - 300		
额定电流 Rated Current [A]	10 - 10		
接线范围 Wire Range	单芯线 Solid [AWG] 28~16 多芯线 Stranded [AWG] 28~16		
耐电压 Dielectric Voltage-Withstand	1.6KV		
IEC 技术参数 IEC Technical Data			
过电压类别 Overvoltage Category	III III III		
污染等级 Contamination Class	3 2 2		
额定电压 Rated Voltage [V]	160 200 400		
额定电流 Rated Current [A]	13.5 13.5 13.5		
额定冲击电压 Impulse withstand voltage [KV]	2.5 2.5 2.5		
导线截面积 Conductor cross section	硬质导线 Solid [mm ²] 0.5~1.0 柔性导线 Flexible [mm ²] 0.5~1.0		
材料 Material			
绝缘材料 Insulation Material	PA66		
阻燃等级 Flame retardant rating	UL94V-0		
导体材料 Conductor Material	Copper alloy		
导体表面镀层 Plating of conductor surface	Sn plated		
一般参数 Other Data			
间距/极数 Pitch/Poles [mm]/[P]	3.5, 3.81/2~24		
剥线长度 Stripping Length [mm]	4~5		
螺丝/扭矩 Screw/Torque(Max) [N.m]	M2/0.2		
工作温度 Operating temperature [°C]	-40~+105		
焊锡温度 Soldering temperature	260°C /5S		
引针尺寸 Pin dimensions [mm]	0.5*0.9		
PCB板孔径 PCB Hole Diameter [mm]	Ø1.3		

UL/CUL 技术参数 UL/CUL Technical Data			
等级 Use Group	B C D		
额定电压 Rated Voltage [V]	300 - 300		
额定电流 Rated Current [A]	10 - 10		
接线范围 Wire Range	单芯线 Solid [AWG] 28~16 多芯线 Stranded [AWG] 28~16		
耐电压 Dielectric Voltage-Withstand	1.6KV		
IEC 技术参数 IEC Technical Data			
过电压类别 Overvoltage Category	III III III		
污染等级 Contamination Class	3 2 2		
额定电压 Rated Voltage [V]	160 200 400		
额定电流 Rated Current [A]	13.5 13.5 13.5		
额定冲击电压 Impulse withstand voltage [KV]	2.5 2.5 2.5		
导线截面积 Conductor cross section	硬质导线 Solid [mm ²] 0.5~1.0 柔性导线 Flexible [mm ²] 0.5~1.0		
材料 Material			
绝缘材料 Insulation Material	PA66		
阻燃等级 Flame retardant rating	UL94V-0		
导体材料 Conductor Material	Copper alloy		
导体表面镀层 Plating of conductor surface	Sn plated		
一般参数 Other Data			
间距/极数 Pitch/Poles [mm]/[P]	3.5, 3.81/2~24		
剥线长度 Stripping Length [mm]	4~5		
螺丝/扭矩 Screw/Torque(Max) [N.m]	M2/0.2		
工作温度 Operating temperature [°C]	-40~+105		
焊锡温度 Soldering temperature	260°C /5S		
引针尺寸 Pin dimensions [mm]	0.5*0.9		
PCB板孔径 PCB Hole Diameter [mm]	Ø1.3		

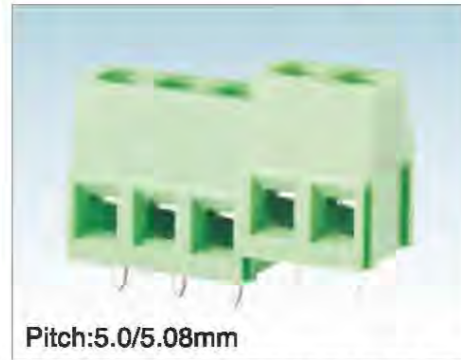
UL/CUL 技术参数 UL/CUL Technical Data			
等级 Use Group	B C D		
额定电压 Rated Voltage [V]	300 - 300		
额定电流 Rated Current [A]	10 - 10		
接线范围 Wire Range	单芯线 Solid [AWG] 28~16 多芯线 Stranded [AWG] 28~16		
耐电压 Dielectric Voltage-Withstand	1.6KV		
IEC 技术参数 IEC Technical Data			
过电压类别 Overvoltage Category	III III III		
污染等级 Contamination Class	3 2 2		
额定电压 Rated Voltage [V]	160 200 400		
额定电流 Rated Current [A]	13.5 13.5 13.5		
额定冲击电压 Impulse withstand voltage [KV]	2.5 2.5 2.5		
导线截面积 Conductor cross section	硬质导线 Solid [mm ²] 0.5~1.0 柔性导线 Flexible [mm ²] 0.5~1.0		
材料 Material			
绝缘材料 Insulation Material	PA66		
阻燃等级 Flame retardant rating	UL94V-0		
导体材料 Conductor Material	Copper alloy		
导体表面镀层 Plating of conductor surface	Sn plated		
一般参数 Other Data			
间距/极数 Pitch/Poles [mm]/[P]	3.5, 3.81/2*2-2*24		
剥线长度 Stripping Length [mm]	4~5		
螺丝/扭矩 Screw/Torque(Max) [N.m]	M2/0.2		
工作温度 Operating temperature [°C]	-40~+105		
焊锡温度 Soldering temperature	260°C /5S		
引针尺寸 Pin dimensions [mm]	0.5*0.9		
PCB板孔径 PCB Hole Diameter [mm]	Ø1.3		

UL/CUL 技术参数 UL/CUL Technical Data			
等级 Use Group	B C D		
额定电压 Rated Voltage [V]	300 - 300		
额定电流 Rated Current [A]	10 - 10		
接线范围 Wire Range	单芯线 Solid [AWG] 28~16 多芯线 Stranded [AWG] 28~16		
耐电压 Dielectric Voltage-Withstand	1.6KV		
IEC 技术参数 IEC Technical Data			
过电压类别 Overvoltage Category	III III III		
污染等级 Contamination Class	3 2 2		
额定电压 Rated Voltage [V]	160 200 400		
额定电流 Rated Current [A]	13.5 13.5 13.5		
额定冲击电压 Impulse withstand voltage [KV]	2.5 2.5 2.5		
导线截面积 Conductor cross section	硬质导线 Solid [mm ²] 0.5~1.0 柔性导线 Flexible [mm ²] 0.5~1.0		
材料 Material			
绝缘材料 Insulation Material	PA66		
阻燃等级 Flame retardant rating	UL94V-0		
导体材料 Conductor Material	Copper alloy		
导体表面镀层 Plating of conductor surface	Sn plated		
一般参数 Other Data			
间距/极数 Pitch/Poles [mm]/[P]	3.5, 3.81/2*2-2*24		
剥线长度 Stripping Length [mm]	4~5		
螺丝/扭矩 Screw/Torque(Max) [N.m]	M2/0.2		
工作温度 Operating temperature [°C]	-40~+105		
焊锡温度 Soldering temperature	260°C /5S		
引针尺寸 Pin dimensions [mm]	0.5*0.9		
PCB板孔径 PCB Hole Diameter [mm]	Ø1.3		





Pitch:3.5/3.81mm



Pitch:5.0/5.08mm



Pitch:5.0/5.08mm



Pitch:5.0/5.08mm



Pitch:5.0/5.08mm



Pitch:5.08mm

WJESK350-3.5/WJESK381-3.81

WJEK500-5.0/WJEK508-5.08

WJEEK500-5.0/WJEEK508-5.08

WJE3K500-5.0/WJE3K508-5.08

WJEK500A-5.0/WJEK508A-5.08

WJEK508A-5.08-1000A

UL/CUL 技术参数		UL/CUL Technical Data	
等级 Use Group	B C D		
额定电压 Rated Voltage [V]	300 - 300		
额定电流 Rated Current [A]	12 - 10		
接线范围 Wire Range	单芯线 Solid [AWG]	30~14	
	多芯线 Stranded [AWG]	30~14	
耐电压 Dielectric Voltage-Withstand	1.6KV		
IEC 技术参数		IEC Technical Data	
过电压类别 Overvoltage Category	II III II		
污染等级 Contamination Class	3 2 2		
额定电压 Rated Voltage [V]	200 250 500		
额定电流 Rated Current [A]	16 16 16		
额定冲击电压 Impulse withstand voltage [KV]	2.5 2.5 2.5		
导线截面积 Conductor cross section	硬质导线 Solid [mm ²]	0.2~1.5	
	柔性导线 Flexible [mm ²]	0.2~1.5	
材料 Material		材料 Material	
绝缘材料 Insulation Material	PA66		
阻燃等级 Flame retardant rating	UL94V-0		
导体材料 Conductor Material	Copper alloy		
导体表面镀层 Plating of conductor surface	Sn plated		
一般参数 Other Data		一般参数 Other Data	
间距/极数 Pitch/Poles [mm]/[P]	3.5, 3.81/2~24		
剥线长度 Stripping Length [mm]	5~6		
螺丝/扭矩 Screw/Torque(Max) [N.m]	M2/0.2		
工作温度 Operating temperature [°C]	-40~+105		
焊接温度 Soldering temperature	260°C /5S		
引针尺寸 Pin dimensions [mm]	0.5*0.8		
PCB板孔径 PCB Hole Diameter [mm]	Ø1.2		

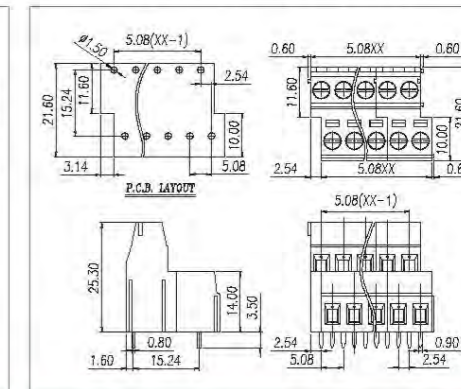
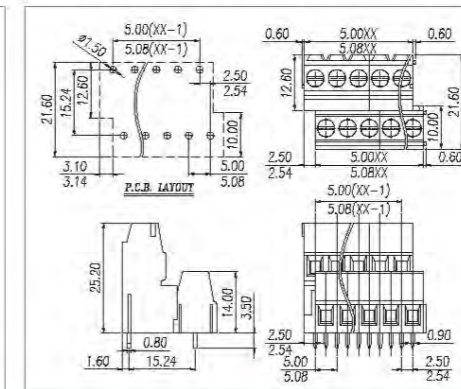
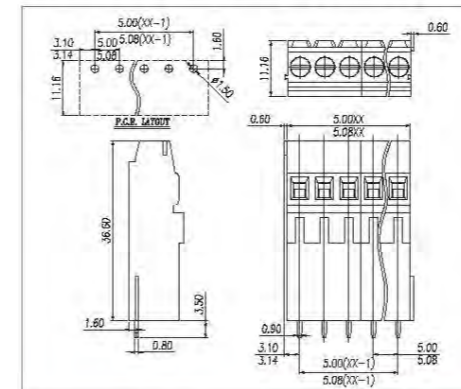
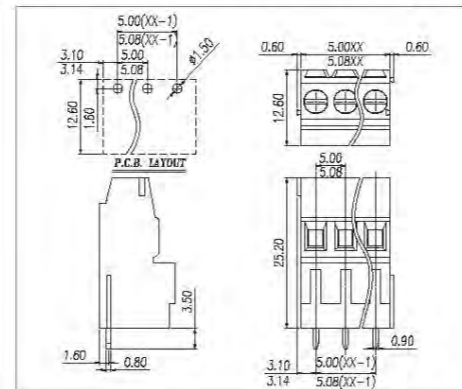
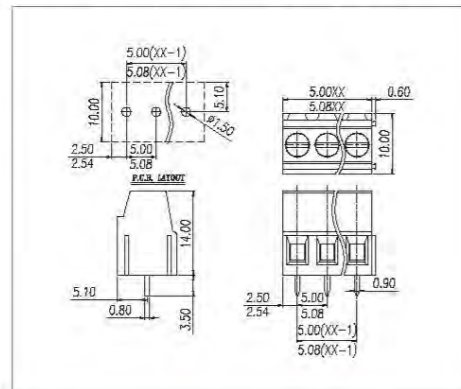
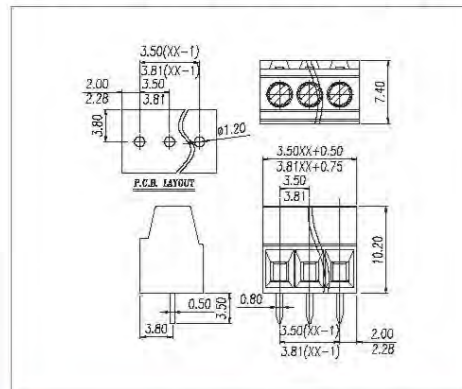
UL/CUL 技术参数		UL/CUL Technical Data	
等级 Use Group	B C D		
额定电压 Rated Voltage [V]	300 - 300		
额定电流 Rated Current [A]	15 - 10		
接线范围 Wire Range	单芯线 Solid [AWG]	30~14	
	多芯线 Stranded [AWG]	30~14	
耐电压 Dielectric Voltage-Withstand	1.6KV		
IEC 技术参数		IEC Technical Data	
过电压类别 Overvoltage Category	II III II		
污染等级 Contamination Class	3 2 2		
额定电压 Rated Voltage [V]	250 400 630		
额定电流 Rated Current [A]	24 24 24		
额定冲击电压 Impulse withstand voltage [KV]	4 4 4		
导线截面积 Conductor cross section	硬质导线 Solid [mm ²]	0.5~2.5	
	柔性导线 Flexible [mm ²]	0.5~2.5	
材料 Material		材料 Material	
绝缘材料 Insulation Material	PA66		
阻燃等级 Flame retardant rating	UL94V-0		
导体材料 Conductor Material	Copper alloy		
导体表面镀层 Plating of conductor surface	Sn plated		
一般参数 Other Data		一般参数 Other Data	
间距/极数 Pitch/Poles [mm]/[P]	5.0, 5.08/2~24		
剥线长度 Stripping Length [mm]	6~7		
螺丝/扭矩 Screw/Torque(Max) [N.m]	M2.5/0.4		
工作温度 Operating temperature [°C]	-40~+105		
焊接温度 Soldering temperature	260°C /5S		
引针尺寸 Pin dimensions [mm]	0.8*0.9		
PCB板孔径 PCB Hole Diameter [mm]	Ø1.5		

UL/CUL 技术参数		UL/CUL Technical Data	
等级 Use Group	B C D		
额定电压 Rated Voltage [V]	300 - 300		
额定电流 Rated Current [A]	15 - 10		
接线范围 Wire Range	单芯线 Solid [AWG]	30~14	
	多芯线 Stranded [AWG]	30~14	
耐电压 Dielectric Voltage-Withstand	1.6KV		
IEC 技术参数		IEC Technical Data	
过电压类别 Overvoltage Category	II III II		
污染等级 Contamination Class	3 2 2		
额定电压 Rated Voltage [V]	250 400 630		
额定电流 Rated Current [A]	24 24 24		
额定冲击电压 Impulse withstand voltage [KV]	4 4 4		
导线截面积 Conductor cross section	硬质导线 Solid [mm ²]	0.5~2.5	
	柔性导线 Flexible [mm ²]	0.5~2.5	
材料 Material		材料 Material	
绝缘材料 Insulation Material	PA66		
阻燃等级 Flame retardant rating	UL94V-0		
导体材料 Conductor Material	Copper alloy		
导体表面镀层 Plating of conductor surface	Sn plated		
一般参数 Other Data		一般参数 Other Data	
间距/极数 Pitch/Poles [mm]/[P]	5.0, 5.08/2~24		
剥线长度 Stripping Length [mm]	6~7		
螺丝/扭矩 Screw/Torque(Max) [N.m]	M2.5/0.4		
工作温度 Operating temperature [°C]	-40~+105		
焊接温度 Soldering temperature	260°C /5S		
引针尺寸 Pin dimensions [mm]	0.8*0.9		
PCB板孔径 PCB Hole Diameter [mm]	Ø1.5		

UL/CUL 技术参数		UL/CUL Technical Data	
等级 Use Group	B C D		
额定电压 Rated Voltage [V]	300 - 300		
额定电流 Rated Current [A]	15 - 10		
接线范围 Wire Range	单芯线 Solid [AWG]	30~14	
	多芯线 Stranded [AWG]	30~14	
耐电压 Dielectric Voltage-Withstand	1.6KV		
IEC 技术参数		IEC Technical Data	
过电压类别 Overvoltage Category	II III II		
污染等级 Contamination Class	3 2 2		
额定电压 Rated Voltage [V]	250 400 630		
额定电流 Rated Current [A]	24 24 24		
额定冲击电压 Impulse withstand voltage [KV]	4 4 4		
导线截面积 Conductor cross section	硬质导线 Solid [mm ²]	0.5~2.5	
	柔性导线 Flexible [mm ²]	0.5~2.5	
材料 Material		材料 Material	
绝缘材料 Insulation Material	PA66		
阻燃等级 Flame retardant rating	UL94V-0		
导体材料 Conductor Material	Copper alloy		
导体表面镀层 Plating of conductor surface	Sn plated		
一般参数 Other Data		一般参数 Other Data	
间距/极数 Pitch/Poles [mm]/[P]	5.0, 5.08/2~24		
剥线长度 Stripping Length [mm]	6~7		
螺丝/扭矩 Screw/Torque(Max) [N.m]	M2.5/0.4		
工作温度 Operating temperature [°C]	-40~+105		
焊接温度 Soldering temperature	260°C /5S		
引针尺寸 Pin dimensions [mm]	0.8*0.9		
PCB板孔径 PCB Hole Diameter [mm]	Ø1.5		

UL/CUL 技术参数		UL/CUL Technical Data	
等级 Use Group	B C D		
额定电压 Rated Voltage [V]	300 - 300		
额定电流 Rated Current [A]	15 - 10		
接线范围 Wire Range	单芯线 Solid [AWG]	30~14	
	多芯线 Stranded [AWG]	30~14	
耐电压 Dielectric Voltage-Withstand	1.6KV		
IEC 技术参数		IEC Technical Data	
过电压类别 Overvoltage Category	II III II		
污染等级 Contamination Class	3 2 2		
额定电压 Rated Voltage [V]	250 400 630		
额定电流 Rated Current [A]	24 24 24		
额定冲击电压 Impulse withstand voltage [KV]	4 4 4		
导线截面积 Conductor cross section	硬质导线 Solid [mm ²]	0.5~2.5	
	柔性导线 Flexible [mm ²]	0.5~2.5	
材料 Material		材料 Material	
绝缘材料 Insulation Material	PA66		
阻燃等级 Flame retardant rating	UL94V-0		
导体材料 Conductor Material	Copper alloy		
导体表面镀层 Plating of conductor surface	Sn plated		
一般参数 Other Data		一般参数 Other Data	
间距/极数 Pitch/Poles [mm]/[P]	5.0, 5.08/2~24		
剥线长度 Stripping Length [mm]	6~7		
螺丝/扭矩 Screw/Torque(Max) [N.m]	M2.5/0.4		
工作温度 Operating temperature [°C]	-40~+105		
焊接温度 Soldering temperature	260°C /5S		
引针尺寸 Pin dimensions [mm]	0.8*0.9		
PCB板孔径 PCB Hole Diameter [mm]	Ø1.5		

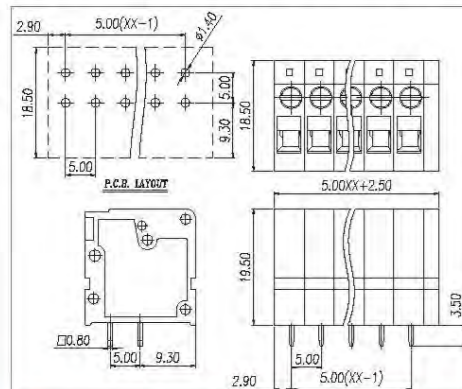
UL/CUL 技术参数		UL/CUL Technical Data	
等级 Use Group	B C D		
额定电压 Rated Voltage [V]	300 - 300		
额定电流 Rated Current [A]	15 - 10		
接线范围 Wire Range	单芯线 Solid [AWG]	30~14	
	多芯线 Stranded [AWG]	30~14	
耐电压 Dielectric Voltage-Withstand	1.6KV		
IEC 技术参数		IEC Technical Data	
过电压类别 Overvoltage Category	II III II		
污染等级 Contamination Class	3 2 2		
额定电压 Rated Voltage [V]	250 400 630		
额定电流 Rated Current [A]	24 24 24		
额定冲击电压 Impulse withstand voltage [KV]	4 4 4		
导线截面积 Conductor cross section	硬质导线 Solid [mm ²]	0.5~2.5	
	柔性导线 Flexible [mm ²]	0.5~2.5	
材料 Material		材料 Material	
绝缘材料 Insulation Material	PA66		
阻燃等级 Flame retardant rating	UL94V-0		
导体材料 Conductor Material	Copper alloy		
导体表面镀层 Plating of conductor surface	Sn plated		
一般参数 Other Data		一般参数 Other Data	
间距/极数 Pitch/Poles [mm]/[P]	5.08/2~24		
剥线长度 Stripping Length [mm]	6~7		
螺丝/扭矩 Screw/Torque(Max) [N.m]	M3/0.5		
工作温度 Operating temperature [°C]	-40~+105		
焊接温度 Soldering temperature	260°C /5S		
引针尺寸 Pin dimensions [mm]	0.8*0.9		
PCB板孔径 PCB Hole Diameter [mm]	Ø1.5		





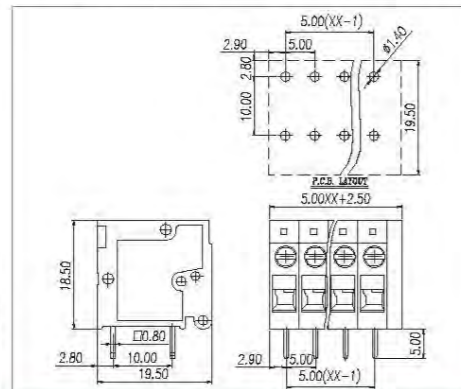
Pitch:5.0mm

UL/CUL 技术参数		UL/CUL Technical Data	
等级 Use Group	B C D		
额定电压 Rated Voltage [V]	300 - 300		
额定电流 Rated Current [A]	20 - 10		
接线范围 Wire Range	单芯线 Solid [AWG]	26~12	
	多芯线 Stranded [AWG]	26~12	
耐电压 Dielectric Voltage-Withstand	1.6KV		
IEC 技术参数		IEC Technical Data	
过电压类别 Overvoltage Category	III IIII IIII		
污染等级 Contamination Class	3 2 2		
额定电压 Rated Voltage [V]	250 400 630		
额定电流 Rated Current [A]	24 24 24		
额定冲击电压 Impulse withstand voltage [KV]	4 4 4		
导线截面积 Conductor cross section	硬质导线 Solid [mm ²]	0.5~2.5	
	柔性导线 Flexible [mm ²]	0.5~2.5	
材料 Material		Material	
绝缘材料 Insulation Material	PA66		
阻燃等级 Flame retardant rating	UL94V-0		
导体材料 Conductor Material	Copper alloy		
导体表面镀层 Plating of conductor surface	Sn plated		
一般参数 Other Data		Other Data	
间距/极数 Pitch/Poles [mm]/[P]	5.0/1~30		
剥线长度 Stripping Length [mm]	12~13		
螺丝/扭矩 Screw/Torque(Max) [N.m]	M2.5/0.4		
工作温度 Operating temperature [°C]	-40~+105		
焊锡温度 Soldering temperature	260°C /5S		
引针尺寸 Pin dimensions [mm]	0.8*0.8		
PCB板孔径 PCB Hole Diameter [mm]	Ø1.4		



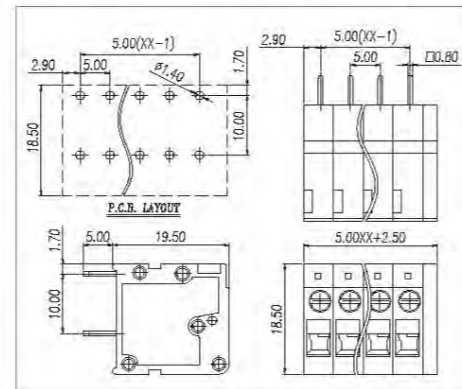
Pitch:5.0mm

UL/CUL 技术参数		UL/CUL Technical Data	
等级 Use Group	B C D		
额定电压 Rated Voltage [V]	300 - 300		
额定电流 Rated Current [A]	20 - 10		
接线范围 Wire Range	单芯线 Solid [AWG]	26~12	
	多芯线 Stranded [AWG]	26~12	
耐电压 Dielectric Voltage-Withstand	1.6KV		
IEC 技术参数		IEC Technical Data	
过电压类别 Overvoltage Category	III IIII IIII		
污染等级 Contamination Class	3 2 2		
额定电压 Rated Voltage [V]	250 400 630		
额定电流 Rated Current [A]	24 24 24		
额定冲击电压 Impulse withstand voltage [KV]	4 4 4		
导线截面积 Conductor cross section	硬质导线 Solid [mm ²]	0.5~2.5	
	柔性导线 Flexible [mm ²]	0.5~2.5	
材料 Material		Material	
绝缘材料 Insulation Material	PA66		
阻燃等级 Flame retardant rating	UL94V-0		
导体材料 Conductor Material	Copper alloy		
导体表面镀层 Plating of conductor surface	Sn plated		
一般参数 Other Data		Other Data	
间距/极数 Pitch/Poles [mm]/[P]	5.0/1~30		
剥线长度 Stripping Length [mm]	9		
螺丝/扭矩 Screw/Torque(Max) [N.m]	M2.5/0.4		
工作温度 Operating temperature [°C]	-40~+105		
焊锡温度 Soldering temperature	260°C /5S		
引针尺寸 Pin dimensions [mm]	0.8*0.8		
PCB板孔径 PCB Hole Diameter [mm]	Ø1.4		



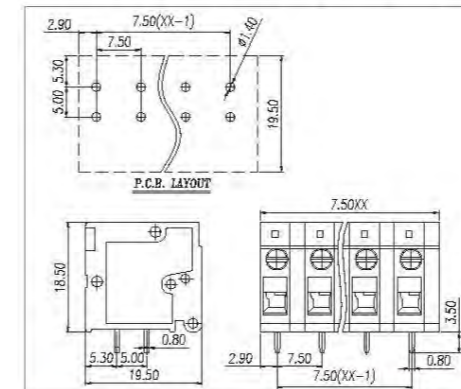
Pitch:5.0mm

UL/CUL 技术参数		UL/CUL Technical Data	
等级 Use Group	B C D		
额定电压 Rated Voltage [V]	300 - 300		
额定电流 Rated Current [A]	20 - 10		
接线范围 Wire Range	单芯线 Solid [AWG]	26~12	
	多芯线 Stranded [AWG]	26~12	
耐电压 Dielectric Voltage-Withstand	1.6KV		
IEC 技术参数		IEC Technical Data	
过电压类别 Overvoltage Category	III IIII IIII		
污染等级 Contamination Class	3 2 2		
额定电压 Rated Voltage [V]	250 400 630		
额定电流 Rated Current [A]	24 24 24		
额定冲击电压 Impulse withstand voltage [KV]	4 4 4		
导线截面积 Conductor cross section	硬质导线 Solid [mm ²]	0.5~2.5	
	柔性导线 Flexible [mm ²]	0.5~2.5	
材料 Material		Material	
绝缘材料 Insulation Material	PA66		
阻燃等级 Flame retardant rating	UL94V-0		
导体材料 Conductor Material	Copper alloy		
导体表面镀层 Plating of conductor surface	Sn plated		
一般参数 Other Data		Other Data	
间距/极数 Pitch/Poles [mm]/[P]	5.0/1~30		
剥线长度 Stripping Length [mm]	9		
螺丝/扭矩 Screw/Torque(Max) [N.m]	M2.5/0.4		
工作温度 Operating temperature [°C]	-40~+105		
焊锡温度 Soldering temperature	260°C /5S		
引针尺寸 Pin dimensions [mm]	0.8*0.8		
PCB板孔径 PCB Hole Diameter [mm]	Ø1.4		



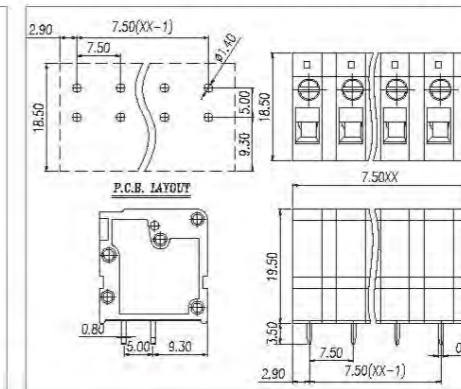
Pitch:7.5mm

UL/CUL 技术参数		UL/CUL Technical Data	
等级 Use Group	B C D		
额定电压 Rated Voltage [V]	300 - 300		
额定电流 Rated Current [A]	20 - 10		
接线范围 Wire Range	单芯线 Solid [AWG]	26~12	
	多芯线 Stranded [AWG]	26~12	
耐电压 Dielectric Voltage-Withstand	1.6KV		
IEC 技术参数		IEC Technical Data	
过电压类别 Overvoltage Category	III IIII IIII		
污染等级 Contamination Class	3 2 2		
额定电压 Rated Voltage [V]	450 630 1000		
额定电流 Rated Current [A]	24 24 24		
额定冲击电压 Impulse withstand voltage [KV]	6 6 6		
导线截面积 Conductor cross section	硬质导线 Solid [mm ²]	0.5~2.5	
	柔性导线 Flexible [mm ²]	0.5~2.5	
材料 Material		Material	
绝缘材料 Insulation Material	PA66		
阻燃等级 Flame retardant rating	UL94V-0		
导体材料 Conductor Material	Copper alloy		
导体表面镀层 Plating of conductor surface	Sn plated		
一般参数 Other Data		Other Data	
间距/极数 Pitch/Poles [mm]/[P]	7.5/1~30		
剥线长度 Stripping Length [mm]	12~13		
螺丝/扭矩 Screw/Torque(Max) [N.m]	M2.5/0.4		
工作温度 Operating temperature [°C]	-40~+105		
焊锡温度 Soldering temperature	260°C /5S		
引针尺寸 Pin dimensions [mm]	0.8*0.8		
PCB板孔径 PCB Hole Diameter [mm]	Ø1.4		



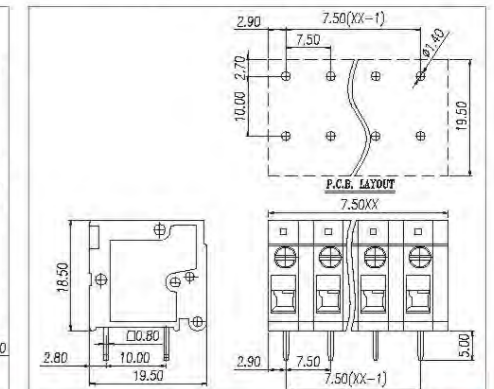
Pitch:7.5mm

UL/CUL 技术参数		UL/CUL Technical Data	
等级 Use Group	B C D		
额定电压 Rated Voltage [V]	300 - 300		
额定电流 Rated Current [A]	20 - 10		
接线范围 Wire Range	单芯线 Solid [AWG]	26~12	
	多芯线 Stranded [AWG]	26~12	
耐电压 Dielectric Voltage-Withstand	1.6KV		
IEC 技术参数		IEC Technical Data	
过电压类别 Overvoltage Category	III IIII IIII		
污染等级 Contamination Class	3 2 2		
额定电压 Rated Voltage [V]	450 630 1000		
额定电流 Rated Current [A]	24 24 24		
额定冲击电压 Impulse withstand voltage [KV]	6 6 6		
导线截面积 Conductor cross section	硬质导线 Solid [mm ²]	0.5~2.5	
	柔性导线 Flexible [mm ²]	0.5~2.5	
材料 Material		Material	
绝缘材料 Insulation Material	PA66		
阻燃等级 Flame retardant rating	UL94V-0		
导体材料 Conductor Material	Copper alloy		
导体表面镀层 Plating of conductor surface	Sn plated		
一般参数 Other Data		Other Data	
间距/极数 Pitch/Poles [mm]/[P]	7.5/1~30		
剥线长度 Stripping Length [mm]	12~13		
螺丝/扭矩 Screw/Torque(Max) [N.m]	M2.5/0.4		
工作温度 Operating temperature [°C]	-40~+105		
焊锡温度 Soldering temperature	260°C /5S		
引针尺寸 Pin dimensions [mm]	0.8*0.8		
PCB板孔径 PCB Hole Diameter [mm]	Ø1.4		



Pitch:7.5mm

UL/CUL 技术参数		UL/CUL Technical Data	
等级 Use Group	B C D		
额定电压 Rated Voltage [V]	300 - 300		
额定电流 Rated Current [A]	20 - 10		
接线范围 Wire Range	单芯线 Solid [AWG]	26~12	
	多芯线 Stranded [AWG]	26~12	
耐电压 Dielectric Voltage-Withstand	1.6KV		
IEC 技术参数		IEC Technical Data	
过电压类别 Overvoltage Category	III IIII IIII		
污染等级 Contamination Class	3 2 2		
额定电压 Rated Voltage [V]	450 630 1000		
额定电流 Rated Current [A]	24 24 24		
额定冲击电压 Impulse withstand voltage [KV]	6 6 6		
导线截面积 Conductor cross section	硬质导线 Solid [mm ²]	0.5~2.5	
	柔性导线 Flexible [mm ²]	0.5~2.5	
材料 Material		Material	
绝缘材料 Insulation Material	PA66		
阻燃等级 Flame retardant rating	UL94V-0		
导体材料 Conductor Material	Copper alloy		
导体表面镀层 Plating of conductor surface	Sn plated		
一般参数 Other Data		Other Data	
间距/极数 Pitch/Poles [mm]/[P]	7.5/1~30		
剥线长度 Stripping Length [mm]	9		
螺丝/扭矩 Screw/Torque(Max) [N.m]	M2.5/0.4		
工作温度 Operating temperature [°C]	-40~+105		
焊锡温度 Soldering temperature	260°C /5S		
引针尺寸 Pin dimensions [mm]	0.8*0.8		
PCB板孔径 PCB Hole Diameter [mm]	Ø1.4		

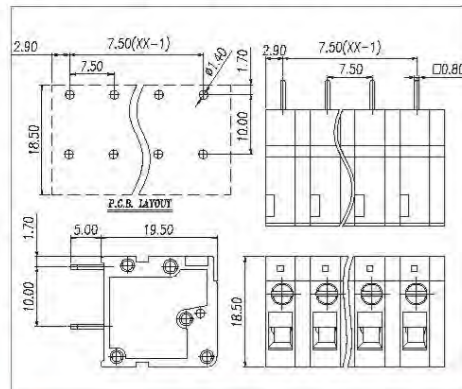




Pitch:7.5mm

WJ105VA-7.5

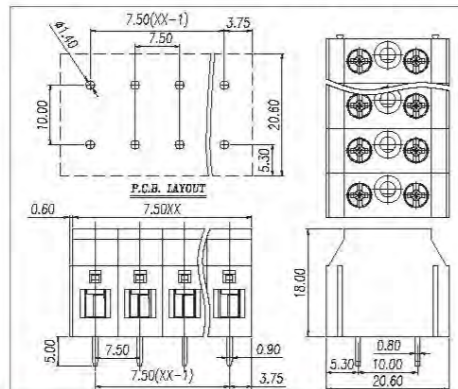
UL/CUL 技术参数		UL/CUL Technical Data		UL
等级	Use Group	B	C D	
额定电压	Rated Voltage [V]	300	- 300	
额定电流	Rated Current [A]	20	- 10	
接线范围	单芯线 Solid [AWG]	26~12		
	多芯线 Stranded [AWG]	26~12		
耐电压	Dielectric Voltage-Withstand	1.6KV		
IEC 技术参数		IEC Technical Data		IEC
过电压类别	Overvoltage Category	III	III II	
污染等级	Contamination Class	3	2 2	
额定电压	Rated Voltage [V]	450	630 1000	
额定电流	Rated Current [A]	24	24 24	
额定冲击电压	Impulse withstand voltage [KV]	6	6 6	
导线截面积	硬质导线 Solid [mm ²]	0.5~2.5		
	柔性导线 Flexible [mm ²]	0.5~2.5		
材料 Material				
绝缘材料	Insulation Material	PA66		
阻燃等级	Flame retardant rating	UL94V-0		
导体材料	Conductor Material	Copper alloy		
导体表面镀层	Plating of conductor surface	Sn plated		
一般参数 Other Data				
间距/极数	Pitch/Poles [mm]/[P]	7.5/1~30		
剥线长度	Stripping Length [mm]	9		
螺丝/扭矩	Screw/Torque(Max) [N.m]	M2.5/0.4		
工作温度	Operating temperature [°C]	-40~+105		
锡焊温度	Soldering temperature	260°C /5S		
引针尺寸	Pin dimensions [mm]	0.8*0.8		
PCB板孔径	PCB Hole Diameter [mm]	Ø1.4		

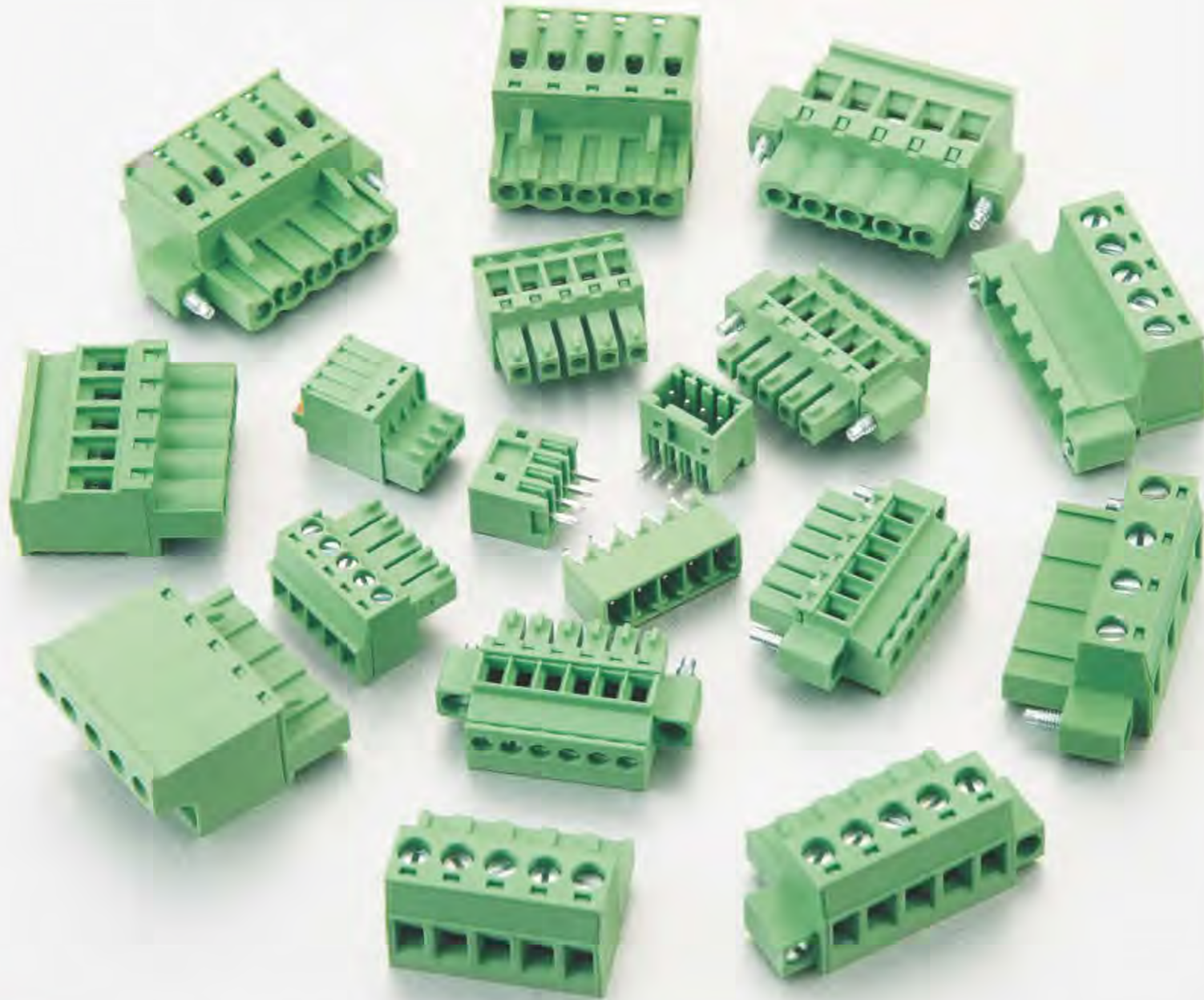


Pitch:7.5mm

WJDS4-7.5

UL/CUL 技术参数		UL/CUL Technical Data		UL
等级	Use Group	B	C D	
额定电压	Rated Voltage [V]	300	- 300	
额定电流	Rated Current [A]	30	- 10	
接线范围	单芯线 Solid [AWG]	24~10		
	多芯线 Stranded [AWG]	24~10		
耐电压	Dielectric Voltage-Withstand	1.6KV		
IEC 技术参数		IEC Technical Data		IEC
过电压类别	Overvoltage Category	III	III II	
污染等级	Contamination Class	3	2 2	
额定电压	Rated Voltage [V]	320	320 630	
额定电流	Rated Current [A]	32	32 32	
额定冲击电压	Impulse withstand voltage [KV]	4	4 4	
导线截面积	硬质导线 Solid [mm ²]	0.5~4.0		
	柔性导线 Flexible [mm ²]	0.5~4.0		
材料 Material				
绝缘材料	Insulation Material	PA66		
阻燃等级	Flame retardant rating	UL94V-0		
导体材料	Conductor Material	Copper alloy		
导体表面镀层	Plating of conductor surface	Sn plated		
一般参数 Other Data				
间距/极数	Pitch/Poles [mm]/[P]	7.5/1~30		
剥线长度	Stripping Length [mm]	6~7		
螺丝/扭矩	Screw/Torque(Max) [N.m]	M3/0.5		
工作温度	Operating temperature [°C]	-40~+105		
锡焊温度	Soldering temperature	260°C /5S		
引针尺寸	Pin dimensions [mm]	0.8*0.9		
PCB板孔径	PCB Hole Diameter [mm]	Ø1.4		





插拔式接线端子 PLUG-IN TERMINAL BLOCK

插拔式接线端子，可以连接截面为0.08mm²至16mm²的所有类型的导线，间距2.5mm至10.16mm可供选择，可根据需要选择进线方向，连接方向，插拔方向。产品设计符合IEC60998、IEC61984、UL1059、UL486E、CSA C22.2 No.158等国际标准。

Plug-in terminal blocks, provide the wire size from 0.08mm² to 16mm². Available with different pitches from 2.5mm to 10.16mm. Choosing insert direction, contact direction, Plug-in direction according to requests. The product is designed in accordance with IEC 60998, UL1059, CSA C22.2 NO.158 standards.

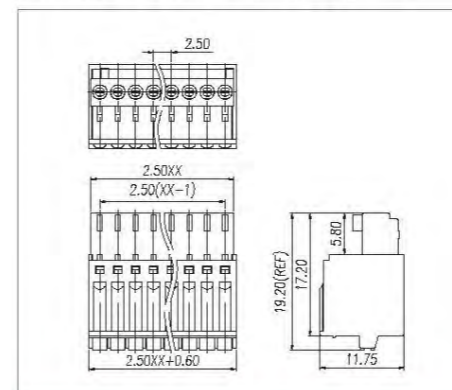
ISO14001 ISO45001 ISO9001 ISO80079-34 ISO/TS 22163



Pitch:2.5mm

WJ15EDGKD-2.5

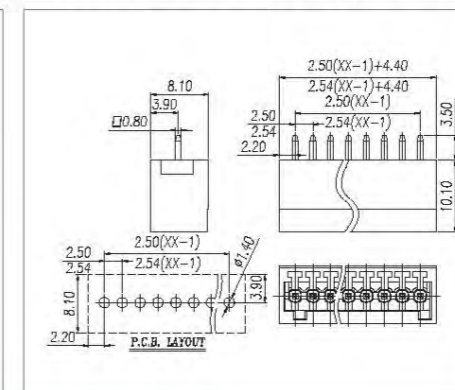
UL/CUL 技术参数 UL/CUL Technical Data		UL		
等级	Use Group	B	C	D
额定电压	Rated Voltage [V]	150	-	-
额定电流	Rated Current [A]	5	-	-
接线范围 Wire Range	单芯线 Solid [AWG]	26~20		
	多芯线 Stranded [AWG]	26~20		
耐电压	Dielectric Voltage-Withstand	1.3KV		
IEC 技术参数 IEC Technical Data		IEC		
过电压类别	Surge voltage category	■	■	■
污染等级	Contamination Class	3	2	2
额定电压	Rated Voltage [V]	100	160	320
额定电流	Rated Current [A]	6	6	6
额定冲击电压	Impulse withstand voltage [KV]	1.5	2.5	2.5
导线截面积 Conductor cross section	硬质导线 Solid [mm ²]	0.2~0.5		
	柔性导线 Flexible [mm ²]	0.2~0.5		
材料 Material				
绝缘材料	Insulation Material	PA66		
阻燃等级	Inflammability Class	UL94V-0		
导体材料	Conductor Material	Copper alloy		
导体表面镀层	Conductor Plating	Sn plated		
一般参数 Other Data				
间距/极数	Pitch/Poles [mm]/[P]	2.5/2~24		
剥线长度	Stripping Length [mm]	7~8		
螺丝/扭矩	Screw/Torque(Max) [N.m]	/		
工作温度	Operating temperature [°C]	-40~+105		
焊锡温度	Soldering temperature	/		
引针尺寸	Pin dimensions [mm]	/		
PCB板孔径	PCB Hole Diameter [mm]	/		



Pitch:2.5/2.54mm

WJ15EDGVC-2.5/2.54

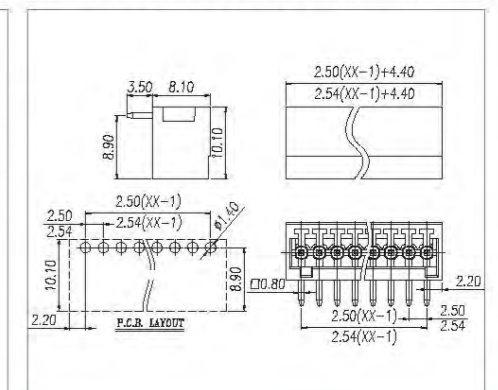
UL/CUL 技术参数 UL/CUL Technical Data		UL		
等级	Use Group	B	C	D
额定电压	Rated Voltage [V]	150	-	-
额定电流	Rated Current [A]	5	-	-
接线范围 Wire Range	单芯线 Solid [AWG]	/		
	多芯线 Stranded [AWG]	/		
耐电压	Dielectric Voltage-Withstand	1.3KV		
IEC 技术参数 IEC Technical Data		IEC		
过电压类别	Overvoltage Category	■	■	■
污染等级	Contamination Class	3	2	2
额定电压	Rated Voltage [V]	80	160	320
额定电流	Rated Current [A]	6	6	6
额定冲击电压	Impulse withstand voltage [KV]	1.5	2.5	2.5
导线截面积 Conductor cross section	硬质导线 Solid [mm ²]	/		
	柔性导线 Flexible [mm ²]	/		
材料 Material				
绝缘材料	Insulation Material	PA66		
阻燃等级	Flame retardant rating	UL94V-0		
导体材料	Conductor Material	Copper alloy		
导体表面镀层	Plating of conductor surface	Sn plated		
一般参数 Other Data				
间距/极数	Pitch/Poles [mm]/[P]	2.5,2.54/2~24		
剥线长度	Stripping Length [mm]	/		
螺丝/扭矩	Screw/Torque(Max) [N.m]	/		
工作温度	Operating temperature [°C]	-40~+105		
焊锡温度	Soldering temperature	260°C /5S		
引针尺寸	Pin dimensions [mm]	0.8*0.8		
PCB板孔径	PCB Hole Diameter [mm]	Ø1.4		

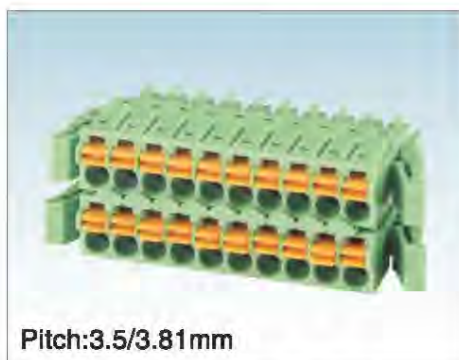


Pitch:2.5/2.54mm

WJ15EDGRC-2.5/2.54

UL/CUL 技术参数 UL/CUL Technical Data		UL		
等级	Use Group	B	C	D
额定电压	Rated Voltage [V]	150	-	-
额定电流	Rated Current [A]	5	-	-
接线范围 Wire Range	单芯线 Solid [AWG]	/		
	多芯线 Stranded [AWG]	/		
耐电压	Dielectric Voltage-Withstand	1.3KV		
IEC 技术参数 IEC Technical Data		IEC		
过电压类别	Overvoltage Category	■	■	■
污染等级	Contamination Class	3	2	2
额定电压	Rated Voltage [V]	80	160	320
额定电流	Rated Current [A]	6	6	6
额定冲击电压	Impulse withstand voltage [KV]	1.5	2.5	2.5
导线截面积 Conductor cross section	硬质导线 Solid [mm ²]	/		
	柔性导线 Flexible [mm ²]	/		
材料 Material				
绝缘材料	Insulation Material	PA66		
阻燃等级	Flame retardant rating	UL94V-0		
导体材料	Conductor Material	Copper alloy		
导体表面镀层	Plating of conductor surface	Sn plated		
一般参数 Other Data				
间距/极数	Pitch/Poles [mm]/[P]	2.5,2.54/2~24		
剥线长度	Stripping Length [mm]	/		
螺丝/扭矩	Screw/Torque(Max) [N.m]	/		
工作温度	Operating temperature [°C]	-40~+105		
焊锡温度	Soldering temperature	260°C /5S		
引针尺寸	Pin dimensions [mm]	0.8*0.8		
PCB板孔径	PCB Hole Diameter [mm]	Ø1.4		

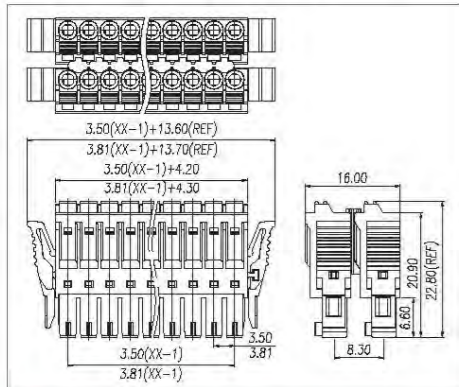




Pitch:3.5/3.81mm

WJ15EDGKNG-B-3.81

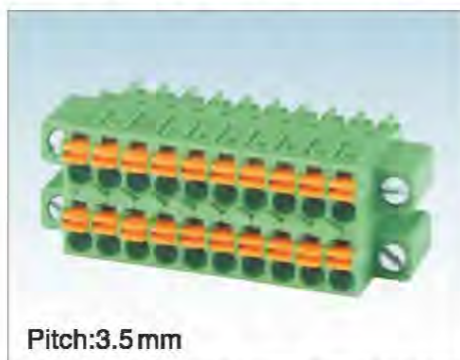
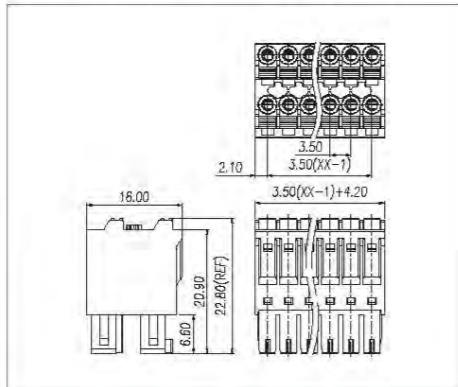
UL/CUL 技术参数 UL/CUL Technical Data			
等级 Use Group	B	C	D
额定电压 Rated Voltage [V]	300	-	300
额定电流 Rated Current [A]	8	-	8
接线范围 Wire Range	单芯线 Solid [AWG]	24~16	
	多芯线 Stranded [AWG]	24~16	
耐电压 Dielectric Voltage-Withstand	1.6KV		
IEC 技术参数 IEC Technical Data			
过电压类别 Overvoltage Category	III	III	III
污染等级 Contamination Class	3	2	2
额定电压 Rated Voltage [V]	160	160	320
额定电流 Rated Current [A]	8	8	8
额定冲击电压 Impulse withstand voltage [KV]	2.5	2.5	2.5
导线截面积 Conductor cross section	硬质导线 Solid [mm ²]	0.2~1.5	
	柔性导线 Flexible [mm ²]	0.2~1.5	
材料 Material			
绝缘材料 Insulation Material	PA66		
阻燃等级 Flame retardant rating	UL94V-0		
导体材料 Conductor Material	Copper alloy		
导体表面镀层 Plating of conductor surface	Sn plated		
一般参数 Other Data			
间距/极数 Pitch/Poles [mm]/[P]	3.81/2*2~2*24		
剥线长度 Stripping Length [mm]	9~10		
螺丝/扭矩 Screw/Torque(Max) [N.m]	/		
工作温度 Operating temperature [°C]	-40~+105		
锡温 Soldering temperature	/		
引针尺寸 Pin dimensions [mm]	/		
PCB板孔径 PCB Hole Diameter [mm]	/		



Pitch:3.5mm

WJ15EDGKN-B-3.5-1000A

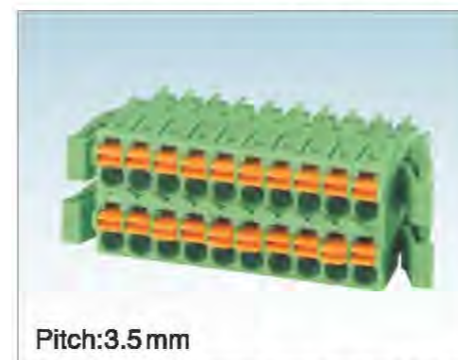
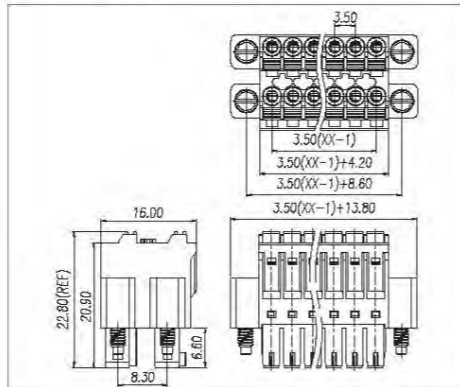
UL/CUL 技术参数 UL/CUL Technical Data			
等级 Use Group	B	C	D
额定电压 Rated Voltage [V]	300	-	300
额定电流 Rated Current [A]	8	-	8
接线范围 Wire Range	单芯线 Solid [AWG]	24~16	
	多芯线 Stranded [AWG]	24~16	
耐电压 Dielectric Voltage-Withstand	1.6KV		
IEC 技术参数 IEC Technical Data			
过电压类别 Overvoltage Category	III	III	III
污染等级 Contamination Class	3	2	2
额定电压 Rated Voltage [V]	160	160	320
额定电流 Rated Current [A]	8	8	8
额定冲击电压 Impulse withstand voltage [KV]	2.5	2.5	2.5
导线截面积 Conductor cross section	硬质导线 Solid [mm ²]	0.2~1.5	
	柔性导线 Flexible [mm ²]	0.2~1.5	
材料 Material			
绝缘材料 Insulation Material	PA66		
阻燃等级 Flame retardant rating	UL94V-0		
导体材料 Conductor Material	Copper alloy		
导体表面镀层 Plating of conductor surface	Sn plated		
一般参数 Other Data			
间距/极数 Pitch/Poles [mm]/[P]	3.5/2*2~2*24		
剥线长度 Stripping Length [mm]	9~10		
螺丝/扭矩 Screw/Torque(Max) [N.m]	/		
工作温度 Operating temperature [°C]	-40~+105		
锡温 Soldering temperature	/		
引针尺寸 Pin dimensions [mm]	/		
PCB板孔径 PCB Hole Diameter [mm]	/		



Pitch:3.5mm

WJ15EDGKNM-B-3.5-1000A

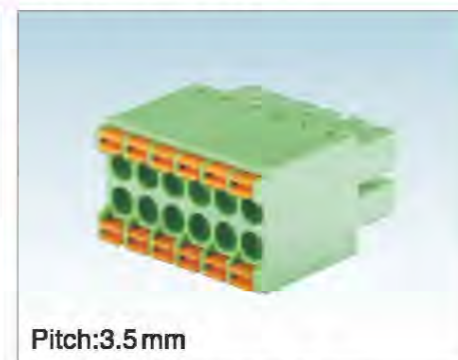
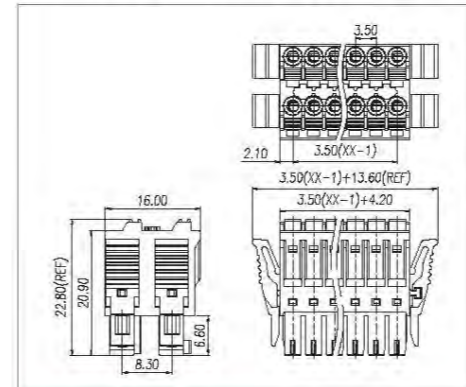
UL/CUL 技术参数 UL/CUL Technical Data			
等级 Use Group	B	C	D
额定电压 Rated Voltage [V]	300	-	300
额定电流 Rated Current [A]	8	-	8
接线范围 Wire Range	单芯线 Solid [AWG]	24~16	
	多芯线 Stranded [AWG]	24~16	
耐电压 Dielectric Voltage-Withstand	1.6KV		
IEC 技术参数 IEC Technical Data			
过电压类别 Overvoltage Category	III	III	III
污染等级 Contamination Class	3	2	2
额定电压 Rated Voltage [V]	160	160	320
额定电流 Rated Current [A]	8	8	8
额定冲击电压 Impulse withstand voltage [KV]	2.5	2.5	2.5
导线截面积 Conductor cross section	硬质导线 Solid [mm ²]	0.2~1.5	
	柔性导线 Flexible [mm ²]	0.2~1.5	
材料 Material			
绝缘材料 Insulation Material	PA66		
阻燃等级 Flame retardant rating	UL94V-0		
导体材料 Conductor Material	Copper alloy		
导体表面镀层 Plating of conductor surface	Sn plated		
一般参数 Other Data			
间距/极数 Pitch/Poles [mm]/[P]	3.5/2*2~2*24		
剥线长度 Stripping Length [mm]	9~10		
螺丝/扭矩 Screw/Torque(Max) [N.m]	/		
工作温度 Operating temperature [°C]	-40~+105		
锡温 Soldering temperature	/		
引针尺寸 Pin dimensions [mm]	/		
PCB板孔径 PCB Hole Diameter [mm]	/		



Pitch:3.5mm

WJ15EDGKNG-B-3.5-1000A

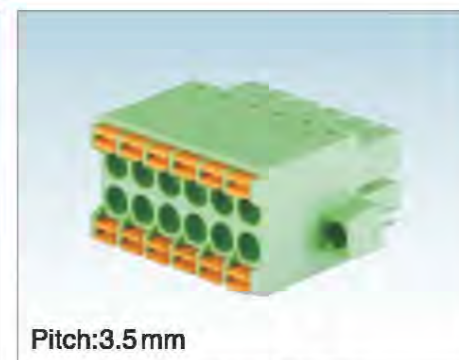
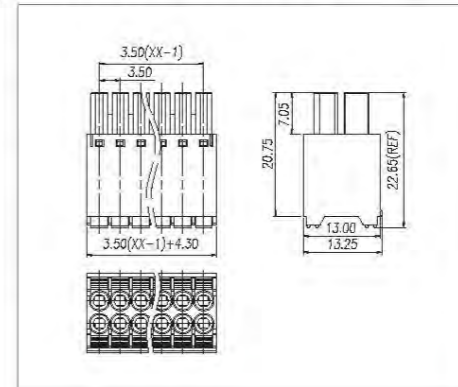
UL/CUL 技术参数 UL/CUL Technical Data			
等级 Use Group	B	C	D
额定电压 Rated Voltage [V]	300	-	300
额定电流 Rated Current [A]	8	-	8
接线范围 Wire Range	单芯线 Solid [AWG]	24~16	
	多芯线 Stranded [AWG]	24~16	
耐电压 Dielectric Voltage-Withstand	1.6KV		
IEC 技术参数 IEC Technical Data			
过电压类别 Overvoltage Category	III	III	III
污染等级 Contamination Class	3	2	2
额定电压 Rated Voltage [V]	160	160	320
额定电流 Rated Current [A]	8	8	8
额定冲击电压 Impulse withstand voltage [KV]	2.5	2.5	2.5
导线截面积 Conductor cross section	硬质导线 Solid [mm ²]	0.2~1.5	
	柔性导线 Flexible [mm ²]	0.2~1.5	
材料 Material			
绝缘材料 Insulation Material	PA66		
阻燃等级 Flame retardant rating	UL94V-0		
导体材料 Conductor Material	Copper alloy		
导体表面镀层 Plating of conductor surface	Sn plated		
一般参数 Other Data			
间距/极数 Pitch/Poles [mm]/[P]	3.5/2*2~2*24		
剥线长度 Stripping Length [mm]	9~10		
螺丝/扭矩 Screw/Torque(Max) [N.m]	/		
工作温度 Operating temperature [°C]	-40~+105		
锡温 Soldering temperature	/		
引针尺寸 Pin dimensions [mm]	/		
PCB板孔径 PCB Hole Diameter [mm]	/		



Pitch:3.5mm

WJ15EDGKNH-3.5

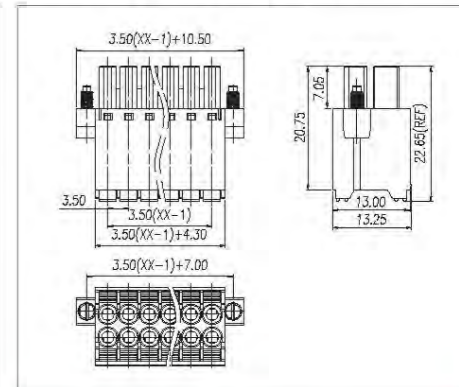
UL/CUL 技术参数 UL/CUL Technical Data			
等级 Use Group	B	C	D
额定电压 Rated Voltage [V]	300	-	300
额定电流 Rated Current [A]	8	-	8
接线范围 Wire Range	单芯线 Solid [AWG]	24~16	
	多芯线 Stranded [AWG]	24~16	
耐电压 Dielectric Voltage-Withstand	1.6KV		
IEC 技术参数 IEC Technical Data			
过电压类别 Overvoltage Category	III	III	III
污染等级 Contamination Class	3	2	2
额定电压 Rated Voltage [V]	160	160	320
额定电流 Rated Current [A]	8	8	8
额定冲击电压 Impulse withstand voltage [KV]	2.5	2.5	2.5
导线截面积 Conductor cross section	硬质导线 Solid [mm ²]	0.2~1.5	
	柔性导线 Flexible [mm ²]	0.2~1.5	
材料 Material			
绝缘材料 Insulation Material	PA66		
阻燃等级 Flame retardant rating	UL94V-0		
导体材料 Conductor Material	Copper alloy		
导体表面镀层 Plating of conductor surface	Sn plated		
一般参数 Other Data			
间距/极数 Pitch/Poles [mm]/[P]	3.5/2*2~2*24		
剥线长度 Stripping Length [mm]	9~10		
螺丝/扭矩 Screw/Torque(Max) [N.m]	/		
工作温度 Operating temperature [°C]	-40~+105		
锡温 Soldering temperature	/		
引针尺寸 Pin dimensions [mm]	/		
PCB板孔径 PCB Hole Diameter [mm]	/		



Pitch:3.5mm

WJ15EDGKNHM-3.5

UL/CUL 技术参数 UL/CUL Technical Data			
等级 Use Group	B	C	D
额定电压 Rated Voltage [V]	300	-	300
额定电流 Rated Current [A]	8	-	8
接线范围 Wire Range	单芯线 Solid [AWG]	24~16	
	多芯线 Stranded [AWG]	24~16	
耐电压 Dielectric Voltage-Withstand	1.6KV		
IEC 技术参数 IEC Technical Data			
过电压类别 Overvoltage Category	III	III	III
污染等级 Contamination Class	3	2	2
额定电压 Rated Voltage [V]	160	160	320
额定电流 Rated Current [A]	8	8	8
额定冲击电压 Impulse withstand voltage [KV]	2.5	2.5	2.5
导线截面积 Conductor cross section	硬质导线 Solid [mm ²]	0.2~1.5	
	柔性导线 Flexible [mm ²]	0.2~1.5	
材料 Material			
绝缘材料 Insulation Material	PA66		
阻燃等级 Flame retardant rating	UL94V-0		
导体材料 Conductor Material	Copper alloy		
导体表面镀层 Plating of conductor surface	Sn plated		
一般参数 Other Data			
间距/极数 Pitch/Poles [mm]/[P]	3.5/2*2~2*24		
剥线长度 Stripping Length [mm]	9~10		
螺丝/扭矩 Screw/Torque(Max) [N.m]	/		
工作温度 Operating temperature [°C]	-40~+105		
锡温 Soldering temperature	/		
引针尺寸 Pin dimensions [mm]	/		
PCB板孔径 PCB Hole Diameter [mm]	/		

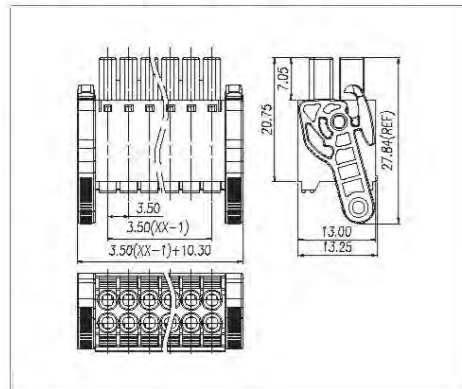




Pitch:3.5mm

WJ15EDGKNHG-3.5

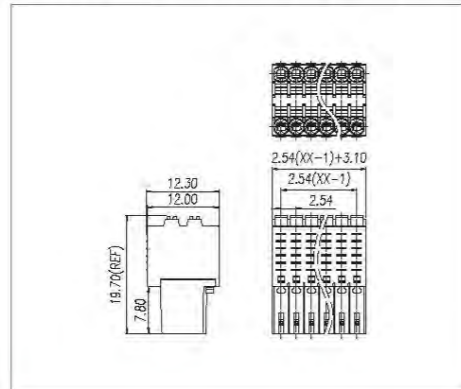
UL/CUL 技术参数 UL/CUL Technical Data		UL	
等级 Use Group	B C D		
额定电压 Rated Voltage [V]	300 - 300		
额定电流 Rated Current [A]	8 - 8		
接线范围 Wire Range	单芯线 Solid [AWG]	24~16	
	多芯线 Stranded [AWG]	24~16	
耐电压 Dielectric Voltage-Withstand	1.6KV		
IEC 技术参数 IEC Technical Data		IEC	
过电压类别 Surge voltage category	III III III		
污染等级 Contamination Class	3 2 2		
额定电压 Rated Voltage [V]	160 160 320		
额定电流 Rated Current [A]	8 8 8		
额定冲击电压 Impulse withstand voltage [KV]	2.5 2.5 2.5		
导线截面积 Conductor cross section	硬质导线 Solid [mm ²]	0.2~1.5	
	柔性导线 Flexible [mm ²]	0.2~1.5	
材料 Material			
绝缘材料 Insulation Material	PA66		
阻燃等级 Flame retardant rating	UL94V-0		
导体材料 Conductor Material	Copper alloy		
导体表面镀层 Plating of conductor surface	Sn plated		
一般参数 Other Data			
间距/极数 Pitch/Poles [mm]/[P]	3.5/2*2~2*24		
剥线长度 Stripping Length [mm]	9-10		
螺丝/扭矩 Screw/Torque(Max) [N.m]	/		
工作温度 Operating temperature [°C]	-40~+105		
焊锡温度 Soldering temperature	/		
引针尺寸 Pin dimensions [mm]	/		
PCB板孔径 PCB Hole Diameter [mm]	/		



Pitch: 2.54mm

WJ15EDGKNHB-2.54

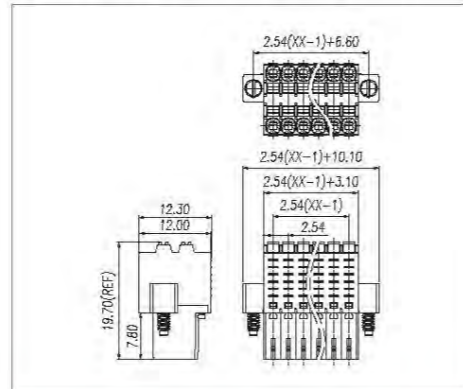
UL/CUL 技术参数 UL/CUL Technical Data		UL	
等级 Use Group	B C D		
额定电压 Rated Voltage [V]	150 - -		
额定电流 Rated Current [A]	5 - -		
接线范围 Wire Range	单芯线 Solid [AWG]	30~20	
	多芯线 Stranded [AWG]	30~20	
耐电压 Dielectric Voltage-Withstand	1.3KV		
IEC 技术参数 IEC Technical Data		IEC	
过电压类别 Surge voltage category	III III III		
污染等级 Contamination Class	3 2 2		
额定电压 Rated Voltage [V]	160 160 320		
额定电流 Rated Current [A]	6 6 6		
额定冲击电压 Impulse withstand voltage [KV]	2.5 2.5 2.5		
导线截面积 Conductor cross section	硬质导线 Solid [mm ²]	0.2-0.5	
	柔性导线 Flexible [mm ²]	0.2-0.5	
材料 Material			
绝缘材料 Insulation Material	PA66		
阻燃等级 Inflammability Class	UL94V-0		
导体材料 Conductor Material	Copper alloy		
导体表面镀层 Conductor Plating	Sn plated		
一般参数 Other Data			
间距/极数 Pitch/Poles [mm]/[P]	2.54/2*2~2*24		
剥线长度 Stripping Length [mm]	7-8		
螺丝/扭矩 Screw/Torque(Max) [N.m]	/		
工作温度 Operating temperature [°C]	-40~+105		
焊锡温度 Soldering temperature	/		
引针尺寸 Pin dimensions [mm]	/		
PCB板孔径 PCB Hole Diameter [mm]	/		



Pitch: 2.54mm

WJ15EDGKNHBM-2.54

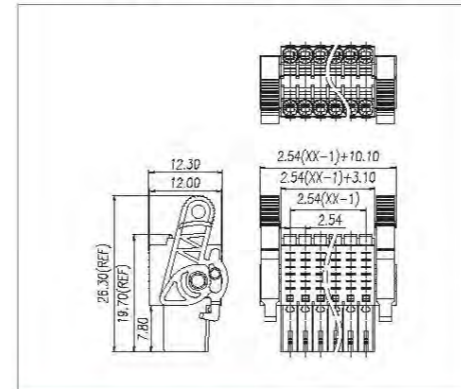
UL/CUL 技术参数 UL/CUL Technical Data		UL	
等级 Use Group	B C D		
额定电压 Rated Voltage [V]	150 - -		
额定电流 Rated Current [A]	5 - -		
接线范围 Wire Range	单芯线 Solid [AWG]	30~20	
	多芯线 Stranded [AWG]	30~20	
耐电压 Dielectric Voltage-Withstand	1.3KV		
IEC 技术参数 IEC Technical Data		IEC	
过电压类别 Surge voltage category	III III III		
污染等级 Contamination Class	3 2 2		
额定电压 Rated Voltage [V]	160 160 320		
额定电流 Rated Current [A]	6 6 6		
额定冲击电压 Impulse withstand voltage [KV]	2.5 2.5 2.5		
导线截面积 Conductor cross section	硬质导线 Solid [mm ²]	0.2-0.5	
	柔性导线 Flexible [mm ²]	0.2-0.5	
材料 Material			
绝缘材料 Insulation Material	PA66		
阻燃等级 Inflammability Class	UL94V-0		
导体材料 Conductor Material	Copper alloy		
导体表面镀层 Conductor Plating	Sn plated		
一般参数 Other Data			
间距/极数 Pitch/Poles [mm]/[P]	2.54/2*2~2*24		
剥线长度 Stripping Length [mm]	7-8		
螺丝/扭矩 Screw/Torque(Max) [N.m]	/		
工作温度 Operating temperature [°C]	-40~+105		
焊锡温度 Soldering temperature	/		
引针尺寸 Pin dimensions [mm]	/		
PCB板孔径 PCB Hole Diameter [mm]	/		



Pitch: 2.54mm

WJ15EDGKNHBG-2.54

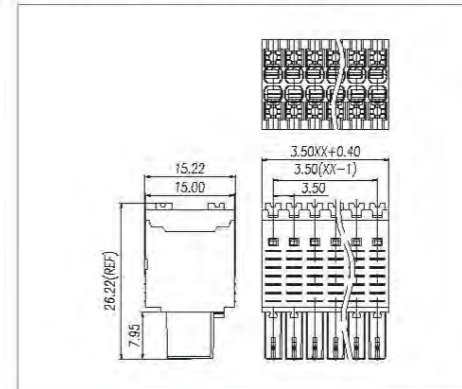
UL/CUL 技术参数 UL/CUL Technical Data		UL	
等级 Use Group	B C D		
额定电压 Rated Voltage [V]	150 - -		
额定电流 Rated Current [A]	5 - -		
接线范围 Wire Range	单芯线 Solid [AWG]	30~20	
	多芯线 Stranded [AWG]	30~20	
耐电压 Dielectric Voltage-Withstand	1.3KV		
IEC 技术参数 IEC Technical Data		IEC	
过电压类别 Surge voltage category	III III III		
污染等级 Contamination Class	3 2 2		
额定电压 Rated Voltage [V]	160 160 320		
额定电流 Rated Current [A]	6 6 6		
额定冲击电压 Impulse withstand voltage [KV]	2.5 2.5 2.5		
导线截面积 Conductor cross section	硬质导线 Solid [mm ²]	0.2-0.5	
	柔性导线 Flexible [mm ²]	0.2-0.5	
材料 Material			
绝缘材料 Insulation Material	PA66		
阻燃等级 Inflammability Class	UL94V-0		
导体材料 Conductor Material	Copper alloy		
导体表面镀层 Conductor Plating	Sn plated		
一般参数 Other Data			
间距/极数 Pitch/Poles [mm]/[P]	2.54/2*2~2*24		
剥线长度 Stripping Length [mm]	7-8		
螺丝/扭矩 Screw/Torque(Max) [N.m]	/		
工作温度 Operating temperature [°C]	-40~+105		
焊锡温度 Soldering temperature	/		
引针尺寸 Pin dimensions [mm]	/		
PCB板孔径 PCB Hole Diameter [mm]	/		



Pitch:3.5mm

WJ15EDGKNHB-3.5

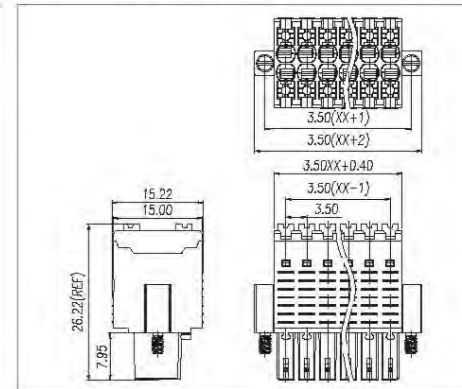
UL/CUL 技术参数 UL/CUL Technical Data		UL	
等级 Use Group	B C D		
额定电压 Rated Voltage [V]	300 50 300		
额定电流 Rated Current [A]	10 10 10		
接线范围 Wire Range	单芯线 Solid [AWG]	26-16	
	多芯线 Stranded [AWG]	26-16	
耐电压 Dielectric Voltage-Withstand	1.6KV		
IEC 技术参数 IEC Technical Data		IEC	
过电压类别 Surge voltage category	III III III		
污染等级 Contamination Class	3 2 2		
额定电压 Rated Voltage [V]	160 160 320		
额定电流 Rated Current [A]	13.4 13.4 13.4		
额定冲击电压 Impulse withstand voltage [KV]	2.5 2.5 2.5		
导线截面积 Conductor cross section	硬质导线 Solid [mm ²]	0.2-1.5	
	柔性导线 Flexible [mm ²]	0.2-1.5	
材料 Material			
绝缘材料 Insulation Material	PA66		
阻燃等级 Inflammability Class	UL94V-0		
导体材料 Conductor Material	Copper alloy		
导体表面镀层 Conductor Plating	Sn plated		
一般参数 Other Data			
间距/极数 Pitch/Poles [mm]/[P]	3.5/2*2~2*24		
剥线长度 Stripping Length [mm]	10-11		
螺丝/扭矩 Screw/Torque(Max) [N.m]	/		
工作温度 Operating temperature [°C]	-40~+105		
焊锡温度 Soldering temperature	/		
引针尺寸 Pin dimensions [mm]	/		
PCB板孔径 PCB Hole Diameter [mm]	/		



Pitch:3.5mm

WJ15EDGKNHBM-3.5

UL/CUL 技术参数 UL/CUL Technical Data		UL	
等级 Use Group	B C D		
额定电压 Rated Voltage [V]	300 50 300		
额定电流 Rated Current [A]	10 10 10		
接线范围 Wire Range	单芯线 Solid [AWG]	26-16	
	多芯线 Stranded [AWG]	26-16	
耐电压 Dielectric Voltage-Withstand	1.6KV		
IEC 技术参数 IEC Technical Data		IEC	
过电压类别 Surge voltage category	III III III		
污染等级 Contamination Class	3 2 2		
额定电压 Rated Voltage [V]	160 160 320		
额定电流 Rated Current [A]	13.4 13.4 13.4		
额定冲击电压 Impulse withstand voltage [KV]	2.5 2.5 2.5		
导线截面积 Conductor cross section	硬质导线 Solid [mm ²]	0.2-1.5	
	柔性导线 Flexible [mm ²]	0.2-1.5	
材料 Material			
绝缘材料 Insulation Material	PA66		
阻燃等级 Inflammability Class	UL94V-0		
导体材料 Conductor Material	Copper alloy		
导体表面镀层 Conductor Plating	Sn plated		
一般参数 Other Data			
间距/极数 Pitch/Poles [mm]/[P]	3.5/2*2~2*24		
剥线长度 Stripping Length [mm]	10-11		
螺丝/扭矩 Screw/Torque(Max) [N.m]	/		
工作温度 Operating temperature [°C]	-40~+105		
焊锡温度 Soldering temperature	/		
引针尺寸 Pin dimensions [mm]	/		
PCB板孔径 PCB Hole Diameter [mm]	/		





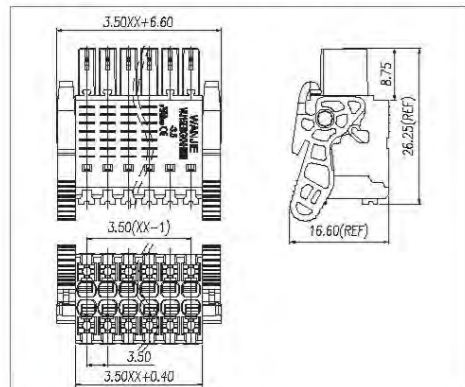
Pitch:3.5mm
WJ15EDGKNHBG-3.5

UL/CUL 技术参数 UL/CUL Technical Data			
等级 Use Group		B	C D
额定电压 Rated Voltage [V]		300	50 300
额定电流 Rated Current [A]		10	10 10
接线范围 Wire Range	单芯线 Solid [AWG]	26-18	
	多芯线 Stranded [AWG]	26-18	
耐电压 Dielectric Voltage-Withstand		1.8KV	

IEC 技术参数 IEC Technical Data			
过电压类别 Surge voltage category	III	II	I
污染等级 Contamination Class	3	2	2
额定电压 Rated Voltage [V]	160	160	320
额定电流 Rated Current [A]	13.4	13.4	13.4
额定冲击电压 Impulse withstand voltage [KV]	2.5	2.5	2.5
导线截面积 Conductor cross section	硬质导线 Solid [mm ²]	0.2-1.5	
	柔性导线 Flexible [mm ²]	0.2-1.5	

材料 Material	
绝缘材料 Insulation Material	PA66
阻燃等级 Flammability Class	UL94V-0
导体材料 Conductor Material	Copper alloy
导体表面镀层 Conductor Plating	Sn plated

一般参数 Other Data	
间距/极数 Pitch/Poles [mm]/[P]	3.5/2*2~2*24
剥线长度 Stripping Length [mm]	10-11
螺丝/扭矩 Screw/Torque(Max) [N.m]	/
工作温度 Operating temperature [°C]	-40~+105
锡焊温度 Soldering temperature	/
引针尺寸 Pin dimensions [mm]	/
PCB板孔径 PCB Hole Diameter [mm]	/



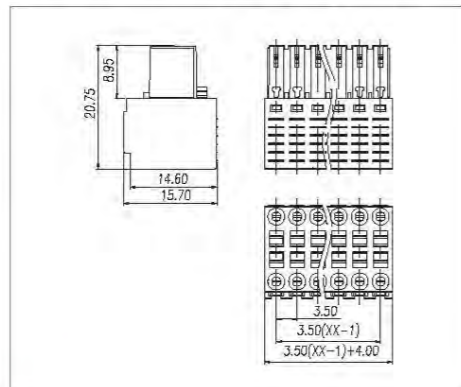
Pitch:3.5mm
WJ15EDGKSH-3.5

UL/CUL 技术参数 UL/CUL Technical Data			
等级 Use Group		B	C D
额定电压 Rated Voltage [V]		150	- 150
额定电流 Rated Current [A]		7	- 7
接线范围 Wire Range	单芯线 Solid [AWG]	28~18	
	多芯线 Stranded [AWG]	28~18	
耐电压 Dielectric Voltage-Withstand		1.3KV	

IEC 技术参数 IEC Technical Data			
过电压类别 Overvoltage Category	III	II	I
污染等级 Contamination Class	3	2	2
额定电压 Rated Voltage [V]	80	160	200
额定电流 Rated Current [A]	10	10	10
额定冲击电压 Impulse withstand voltage [KV]	2.5	2.5	2.5
导线截面积 Conductor cross section	硬质导线 Solid [mm ²]	0.2~1.0	
	柔性导线 Flexible [mm ²]	0.2~1.0	

材料 Material	
绝缘材料 Insulation Material	PA66
阻燃等级 Flame retardant rating	UL94V-0
导体材料 Conductor Material	Copper alloy
导体表面镀层 Plating of conductor surface	Sn plated

一般参数 Other Data	
间距/极数 Pitch/Poles [mm]/[P]	3.5/2*2~2*24
剥线长度 Stripping Length [mm]	7~8
螺丝/扭矩 Screw/Torque(Max) [N.m]	/
工作温度 Operating temperature [°C]	-40~+105
锡焊温度 Soldering temperature	/
引针尺寸 Pin dimensions [mm]	/
PCB板孔径 PCB Hole Diameter [mm]	/



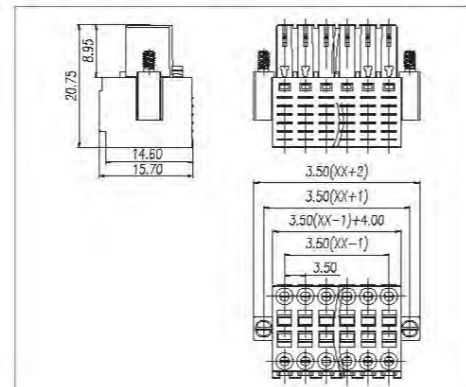
Pitch:3.5mm
WJ15EDGKSHM-3.5

UL/CUL 技术参数 UL/CUL Technical Data			
等级 Use Group		B	C D
额定电压 Rated Voltage [V]		150	- 150
额定电流 Rated Current [A]		7	- 7
接线范围 Wire Range	单芯线 Solid [AWG]	28~18	
	多芯线 Stranded [AWG]	28~18	
耐电压 Dielectric Voltage-Withstand		1.3KV	

IEC 技术参数 IEC Technical Data			
过电压类别 Overvoltage Category	III	II	I
污染等级 Contamination Class	3	2	2
额定电压 Rated Voltage [V]	80	160	200
额定电流 Rated Current [A]	10	10	10
额定冲击电压 Impulse withstand voltage [KV]	2.5	2.5	2.5
导线截面积 Conductor cross section	硬质导线 Solid [mm ²]	0.2~1.0	
	柔性导线 Flexible [mm ²]	0.2~1.0	

材料 Material	
绝缘材料 Insulation Material	PA66
阻燃等级 Flame retardant rating	UL94V-0
导体材料 Conductor Material	Copper alloy
导体表面镀层 Plating of conductor surface	Sn plated

一般参数 Other Data	
间距/极数 Pitch/Poles [mm]/[P]	3.5/2*2~2*24
剥线长度 Stripping Length [mm]	7~8
螺丝/扭矩 Screw/Torque(Max) [N.m]	/
工作温度 Operating temperature [°C]	-40~+105
锡焊温度 Soldering temperature	/
引针尺寸 Pin dimensions [mm]	/
PCB板孔径 PCB Hole Diameter [mm]	/



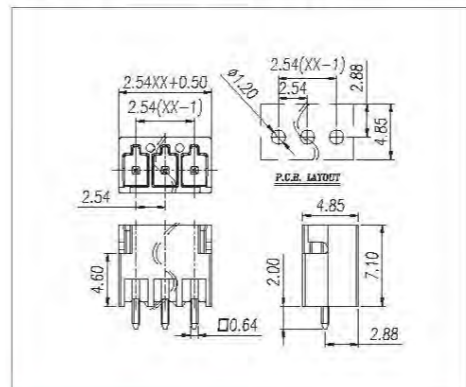
Pitch:2.54mm
WJ15VD-THR-2.54

UL/CUL 技术参数 UL/CUL Technical Data			
等级 Use Group		B	C D
额定电压 Rated Voltage [V]		150	50 -
额定电流 Rated Current [A]		6	6 -
接线范围 Wire Range	单芯线 Solid [AWG]	/	
	多芯线 Stranded [AWG]	/	
耐电压 Dielectric Voltage-Withstand		1.3KV	

IEC 技术参数 IEC Technical Data			
过电压类别 Overvoltage Category	III	II	I
污染等级 Contamination Class	3	2	2
额定电压 Rated Voltage [V]	32	160	160
额定电流 Rated Current [A]	6	6	6
额定冲击电压 Impulse withstand voltage [KV]	2.5	2.5	2.5
导线截面积 Conductor cross section	硬质导线 Solid [mm ²]	/	
	柔性导线 Flexible [mm ²]	/	

材料 Material	
绝缘材料 Insulation Material	LCP
阻燃等级 Flame retardant rating	UL94V-0
导体材料 Conductor Material	Copper alloy
导体表面镀层 Plating of conductor surface	Sn plated

一般参数 Other Data	
间距/极数 Pitch/Poles [mm]/[P]	2.54/2~24
剥线长度 Stripping Length [mm]	/
螺丝/扭矩 Screw/Torque(Max) [N.m]	/
工作温度 Operating temperature [°C]	-40~+130
锡焊温度 Soldering temperature	285°C /10S
引针尺寸 Pin dimensions [mm]	0.64*0.64
PCB板孔径 PCB Hole Diameter [mm]	Ø1.2



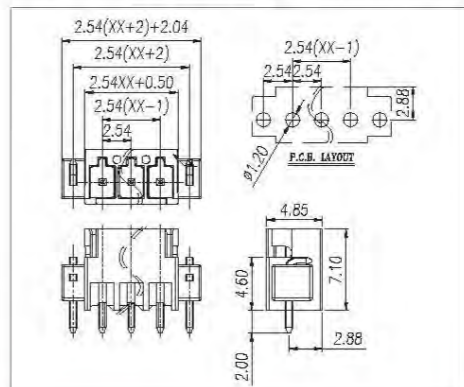
Pitch:2.54mm
WJ15VDM-THR-2.54

UL/CUL 技术参数 UL/CUL Technical Data			
等级 Use Group		B	C D
额定电压 Rated Voltage [V]		150	50 -
额定电流 Rated Current [A]		6	6 -
接线范围 Wire Range	单芯线 Solid [AWG]	/	
	多芯线 Stranded [AWG]	/	
耐电压 Dielectric Voltage-Withstand		1.3KV	

IEC 技术参数 IEC Technical Data			
过电压类别 Overvoltage Category	III	II	I
污染等级 Contamination Class	3	2	2
额定电压 Rated Voltage [V]	32	160	160
额定电流 Rated Current [A]	6	6	6
额定冲击电压 Impulse withstand voltage [KV]	2.5	2.5	2.5
导线截面积 Conductor cross section	硬质导线 Solid [mm ²]	/	
	柔性导线 Flexible [mm ²]	/	

材料 Material	
绝缘材料 Insulation Material	LCP
阻燃等级 Flame retardant rating	UL94V-0
导体材料 Conductor Material	Copper alloy
导体表面镀层 Plating of conductor surface	Sn plated

一般参数 Other Data	
间距/极数 Pitch/Poles [mm]/[P]	2.54/2~24
剥线长度 Stripping Length [mm]	/
螺丝/扭矩 Screw/Torque(Max) [N.m]	/
工作温度 Operating temperature [°C]	-40~+130
锡焊温度 Soldering temperature	285°C /10S
引针尺寸 Pin dimensions [mm]	0.64*0.64
PCB板孔径 PCB Hole Diameter [mm]	Ø1.2



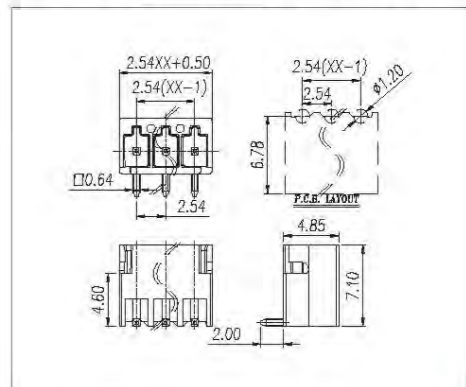
Pitch:2.54mm
WJ15RD-THR-2.54

UL/CUL 技术参数 UL/CUL Technical Data			
等级 Use Group		B	C D
额定电压 Rated Voltage [V]		150	50 -
额定电流 Rated Current [A]		6	6 -
接线范围 Wire Range	单芯线 Solid [AWG]	/	
	多芯线 Stranded [AWG]	/	
耐电压 Dielectric Voltage-Withstand		1.3KV	

IEC 技术参数 IEC Technical Data			
过电压类别 Overvoltage Category	III	II	I
污染等级 Contamination Class	3	2	2
额定电压 Rated Voltage [V]	32	160	160
额定电流 Rated Current [A]	6	6	6
额定冲击电压 Impulse withstand voltage [KV]	2.5	2.5	2.5
导线截面积 Conductor cross section	硬质导线 Solid [mm ²]	/	
	柔性导线 Flexible [mm ²]	/	

材料 Material	
绝缘材料 Insulation Material	LCP
阻燃等级 Flame retardant rating	UL94V-0
导体材料 Conductor Material	Copper alloy
导体表面镀层 Plating of conductor surface	Sn plated

一般参数 Other Data	
间距/极数 Pitch/Poles [mm]/[P]	2.54/2~24
剥线长度 Stripping Length [mm]	/
螺丝/扭矩 Screw/Torque(Max) [N.m]	/
工作温度 Operating temperature [°C]	-40~+130
锡焊温度 Soldering temperature	285°C /10S
引针尺寸 Pin dimensions [mm]	0.64*0.64
PCB板孔径 PCB Hole Diameter [mm]	Ø1.2





Pitch:2.54mm

WJ15RDM-THR-2.54



Pitch:3.5/3.81mm

WJ15EDGVC-THR-3.5/3.81



Pitch:3.5/3.81mm

WJ15EDGRC-THR-3.5/3.81



Pitch:3.5/3.81mm

WJ15EDGVM-THR-3.5/3.81



Pitch:3.5/3.81mm

WJ15EDGRM-THR-3.5/3.81



Pitch:3.5/3.81mm

WJ15EDGVHB-THT-3.5/3.81

UL/CUL 技术参数 UL/CUL Technical Data			
等级 Use Group	B	C	D
额定电压 Rated Voltage [V]	150	50	-
额定电流 Rated Current [A]	6	6	-
接线范围 Wire Range	单芯线 Solid [AWG] / 多芯线 Stranded [AWG]		
耐电压 Dielectric Voltage-Withstand	1.3KV		
IEC 技术参数 IEC Technical Data			
过电压类别 Overvoltage Category	III	III	II
污染等级 Contamination Class	3	2	2
额定电压 Rated Voltage [V]	32	160	160
额定电流 Rated Current [A]	6	6	6
额定冲击电压 Impulse withstand voltage [KV]	2.5	2.5	2.5
导线截面积 Conductor cross section	硬质导线 Solid [mm²] / 柔性导线 Flexible [mm²]		
材料 Material			
绝缘材料 Insulation Material	LCP		
阻燃等级 Flame retardant rating	UL94V-0		
导体材料 Conductor Material	Copper alloy		
导体表面镀层 Plating of conductor surface	Sn plated		
一般参数 Other Data			
间距/极数 Pitch/Poles [mm]/[P]	2.54/2~24		
剥线长度 Stripping Length [mm]	/		
螺丝/扭矩 Screw/Torque(Max) [N.m]	/		
工作温度 Operating temperature [°C]	-40~+130		
焊锡温度 Soldering temperature	285°C /10S		
引针尺寸 Pin dimensions [mm]	0.84*0.64		
PCB板孔径 PCB Hole Diameter [mm]	Ø1.2		

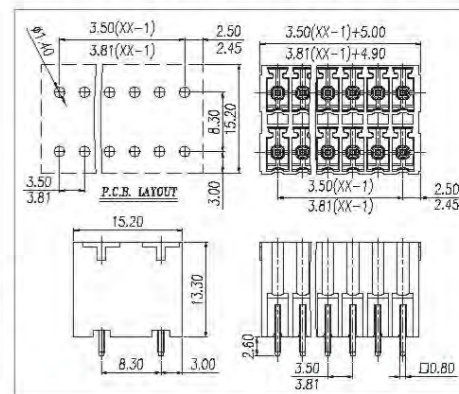
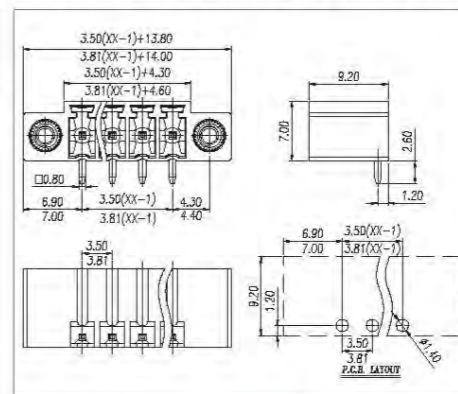
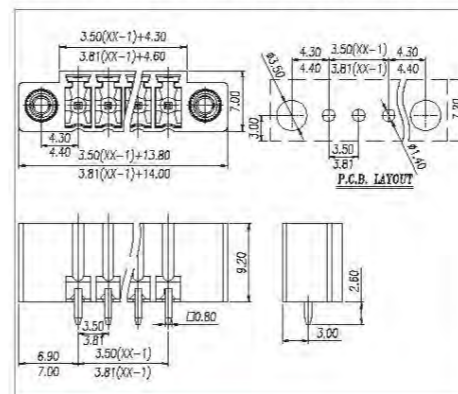
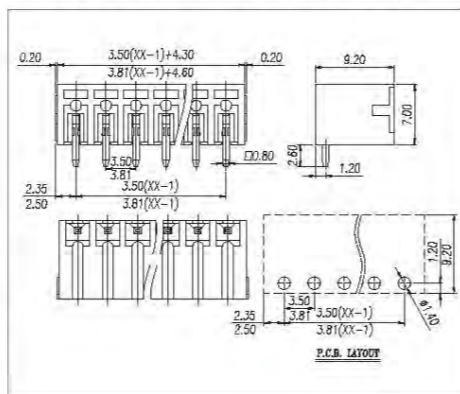
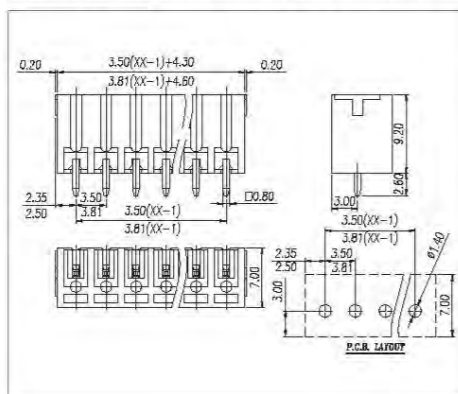
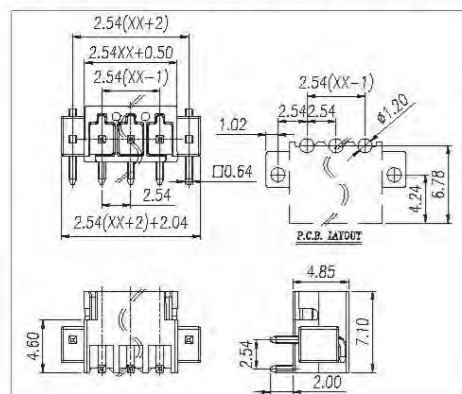
UL/CUL 技术参数 UL/CUL Technical Data			
等级 Use Group	B	C	D
额定电压 Rated Voltage [V]	300	-	300
额定电流 Rated Current [A]	8	-	8
接线范围 Wire Range	单芯线 Solid [AWG] / 多芯线 Stranded [AWG]		
耐电压 Dielectric Voltage-Withstand	1.6KV		
IEC 技术参数 IEC Technical Data			
过电压类别 Overvoltage Category	III	III	II
污染等级 Contamination Class	3	2	2
额定电压 Rated Voltage [V]	160	160	250
额定电流 Rated Current [A]	8	8	8
额定冲击电压 Impulse withstand voltage [KV]	2.5	2.5	2.5
导线截面积 Conductor cross section	硬质导线 Solid [mm²] / 柔性导线 Flexible [mm²]		
材料 Material			
绝缘材料 Insulation Material	LCP		
阻燃等级 Flame retardant rating	UL94V-0		
导体材料 Conductor Material	Copper alloy		
导体表面镀层 Plating of conductor surface	Sn plated		
一般参数 Other Data			
间距/极数 Pitch/Poles [mm]/[P]	3.5,3.81/2~24		
剥线长度 Stripping Length [mm]	/		
螺丝/扭矩 Screw/Torque(Max) [N.m]	/		
工作温度 Operating temperature [°C]	-40~+130		
焊锡温度 Soldering temperature	285°C /10S		
引针尺寸 Pin dimensions [mm]	0.8*0.8		
PCB板孔径 PCB Hole Diameter [mm]	Ø1.4		

UL/CUL 技术参数 UL/CUL Technical Data			
等级 Use Group	B	C	D
额定电压 Rated Voltage [V]	300	-	300
额定电流 Rated Current [A]	8	-	8
接线范围 Wire Range	单芯线 Solid [AWG] / 多芯线 Stranded [AWG]		
耐电压 Dielectric Voltage-Withstand	1.6KV		
IEC 技术参数 IEC Technical Data			
过电压类别 Overvoltage Category	III	III	II
污染等级 Contamination Class	3	2	2
额定电压 Rated Voltage [V]	160	160	250
额定电流 Rated Current [A]	8	8	8
额定冲击电压 Impulse withstand voltage [KV]	2.5	2.5	2.5
导线截面积 Conductor cross section	硬质导线 Solid [mm²] / 柔性导线 Flexible [mm²]		
材料 Material			
绝缘材料 Insulation Material	LCP		
阻燃等级 Flame retardant rating	UL94V-0		
导体材料 Conductor Material	Copper alloy		
导体表面镀层 Plating of conductor surface	Sn plated		
一般参数 Other Data			
间距/极数 Pitch/Poles [mm]/[P]	3.5,3.81/2~24		
剥线长度 Stripping Length [mm]	/		
螺丝/扭矩 Screw/Torque(Max) [N.m]	/		
工作温度 Operating temperature [°C]	-40~+130		
焊锡温度 Soldering temperature	285°C /10S		
引针尺寸 Pin dimensions [mm]	0.8*0.8		
PCB板孔径 PCB Hole Diameter [mm]	Ø1.4		

UL/CUL 技术参数 UL/CUL Technical Data			
等级 Use Group	B	C	D
额定电压 Rated Voltage [V]	300	-	300
额定电流 Rated Current [A]	8	-	8
接线范围 Wire Range	单芯线 Solid [AWG] / 多芯线 Stranded [AWG]		
耐电压 Dielectric Voltage-Withstand	1.6KV		
IEC 技术参数 IEC Technical Data			
过电压类别 Overvoltage Category	III	III	II
污染等级 Contamination Class	3	2	2
额定电压 Rated Voltage [V]	160	160	250
额定电流 Rated Current [A]	8	8	8
额定冲击电压 Impulse withstand voltage [KV]	2.5	2.5	2.5
导线截面积 Conductor cross section	硬质导线 Solid [mm²] / 柔性导线 Flexible [mm²]		
材料 Material			
绝缘材料 Insulation Material	LCP		
阻燃等级 Flame retardant rating	UL94V-0		
导体材料 Conductor Material	Copper alloy		
导体表面镀层 Plating of conductor surface	Sn plated		
一般参数 Other Data			
间距/极数 Pitch/Poles [mm]/[P]	3.5,3.81/2~24		
剥线长度 Stripping Length [mm]	/		
螺丝/扭矩 Screw/Torque(Max) [N.m]	/		
工作温度 Operating temperature [°C]	-40~+130		
焊锡温度 Soldering temperature	285°C /10S		
引针尺寸 Pin dimensions [mm]	0.8*0.8		
PCB板孔径 PCB Hole Diameter [mm]	Ø1.4		

UL/CUL 技术参数 UL/CUL Technical Data			
等级 Use Group	B	C	D
额定电压 Rated Voltage [V]	300	-	300
额定电流 Rated Current [A]	8	-	8
接线范围 Wire Range	单芯线 Solid [AWG] / 多芯线 Stranded [AWG]		
耐电压 Dielectric Voltage-Withstand	1.6KV		
IEC 技术参数 IEC Technical Data			
过电压类别 Overvoltage Category	III	III	II
污染等级 Contamination Class	3	2	2
额定电压 Rated Voltage [V]	160	160	250
额定电流 Rated Current [A]	8	8	8
额定冲击电压 Impulse withstand voltage [KV]	2.5	2.5	2.5
导线截面积 Conductor cross section	硬质导线 Solid [mm²] / 柔性导线 Flexible [mm²]		
材料 Material			
绝缘材料 Insulation Material	LCP		
阻燃等级 Flame retardant rating	UL94V-0		
导体材料 Conductor Material	Copper alloy		
导体表面镀层 Plating of conductor surface	Sn plated		
一般参数 Other Data			
间距/极数 Pitch/Poles [mm]/[P]	3.5,3.81/2~24		
剥线长度 Stripping Length [mm]	/		
螺丝/扭矩 Screw/Torque(Max) [N.m]	/		
工作温度 Operating temperature [°C]	-40~+130		
焊锡温度 Soldering temperature	285°C /10S		
引针尺寸 Pin dimensions [mm]	0.8*0.8		
PCB板孔径 PCB Hole Diameter [mm]	Ø1.4		

UL/CUL 技术参数 UL/CUL Technical Data			
等级 Use Group	B	C	D
额定电压 Rated Voltage [V]	300	-	-
额定电流 Rated Current [A]	8	-	-
接线范围 Wire Range	单芯线 Solid [AWG] / 多芯线 Stranded [AWG]		
耐电压 Dielectric Voltage-Withstand	1.6KV		
IEC 技术参数 IEC Technical Data			
过电压类别 Overvoltage Category	III	III	II
污染等级 Contamination Class	3	2	2
额定电压 Rated Voltage [V]	160	160	250
额定电流 Rated Current [A]	8	8	8
额定冲击电压 Impulse withstand voltage [KV]	2.5	2.5	2.5
导线截面积 Conductor cross section	硬质导线 Solid [mm²] / 柔性导线 Flexible [mm²]		
材料 Material			
绝缘材料 Insulation Material	LCP		
阻燃等级 Flame retardant rating	UL94V-0		
导体材料 Conductor Material	Copper alloy		
导体表面镀层 Plating of conductor surface	Sn plated		
一般参数 Other Data			
间距/极数 Pitch/Poles [mm]/[P]	3.5,3.81/2~24		
剥线长度 Stripping Length [mm]	/		
螺丝/扭矩 Screw/Torque(Max) [N.m]	/		
工作温度 Operating temperature [°C]	-40~+130		
焊锡温度 Soldering temperature	285°C /10S		
引针尺寸 Pin dimensions [mm]	0.8*0.8		
PCB板孔径 PCB Hole Diameter [mm]	Ø1.4		

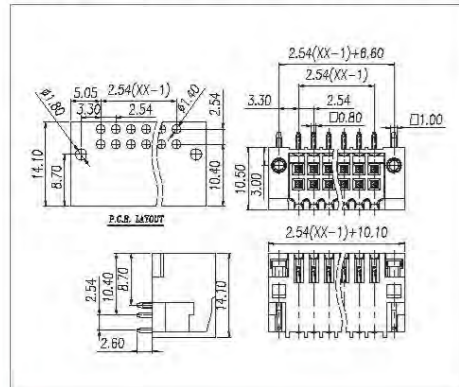




Pitch: 2.54mm

WJ15EDGRHSM-THR-2.54

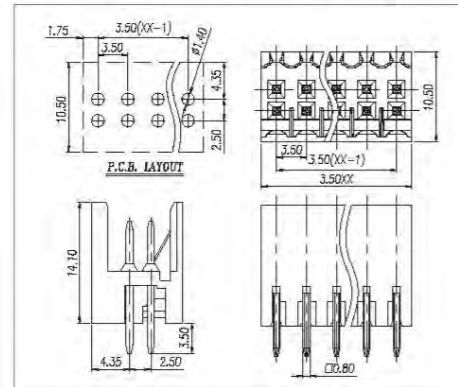
UL/CUL 技术参数 UL/CUL Technical Data		UL/CUL 技术参数 UL/CUL Technical Data	
等级	Use Group	B	C D
额定电压	Rated Voltage [V]	150	- -
额定电流	Rated Current [A]	5	- -
接线范围	单芯线 Solid [AWG]	/	
Wire Range	多芯线 Stranded [AWG]	/	
耐电压	Dielectric Voltage-Withstand	1.3KV	
IEC 技术参数 IEC Technical Data			
过电压类别	Surge voltage category	III	III II
污染等级	Contamination Class	3	2 2
额定电压	Rated Voltage [V]	80	160 320
额定电流	Rated Current [A]	6	6 6
额定冲击电压	Impulse withstand voltage [KV]	2.5	2.5 2.5
导线截面积	硬质导线 Solid [mm²]	/	
Conductor cross section	柔性导线 Flexible [mm²]	/	
材料 Material			
绝缘材料	Insulation Material	LCP	
阻燃等级	Inflammability Class	UL94V-0	
导体材料	Conductor Material	Copper alloy	
导体表面镀层	Conductor Plating	Sn plated	
一般参数 Other Data			
间距/极数	Pitch/Poles [mm]/[P]	2.54/2*2~2*24	
剥线长度	Stripping Length [mm]	/	
螺丝/扭矩	Screw/Torque(Max) [N.m]	/	
工作温度	Operating temperature [°C]	-40~+130	
焊锡温度	Soldering temperature	285°C/10S	
引针尺寸	Pin dimensions [mm]	0.8*0.8	
PCB板孔径	PCB Hole Diameter [mm]	Ø1.4	



Pitch: 3.5 mm

WJ15EDGVHS-THR-3.5

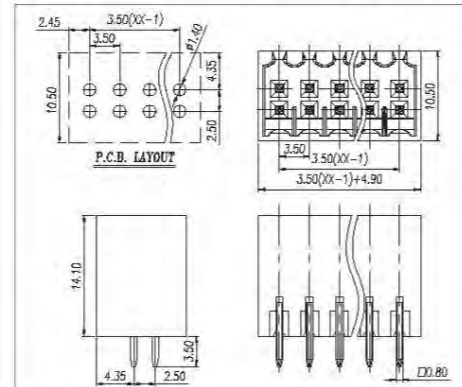
UL/CUL 技术参数 UL/CUL Technical Data		UL/CUL 技术参数 UL/CUL Technical Data	
等级	Use Group	B	C D
额定电压	Rated Voltage [V]	150	- -
额定电流	Rated Current [A]	10	- -
接线范围	单芯线 Solid [AWG]	/	
Wire Range	多芯线 Stranded [AWG]	/	
耐电压	Dielectric Voltage-Withstand	1.3KV	
IEC 技术参数 IEC Technical Data			
过电压类别	Surge voltage category	III	III II
污染等级	Contamination Class	3	2 2
额定电压	Rated Voltage [V]	80	125 250
额定电流	Rated Current [A]	10	10 10
额定冲击电压	Impulse withstand voltage [KV]	2.5	2.5 2.5
导线截面积	硬质导线 Solid [mm²]	/	
Conductor cross section	柔性导线 Flexible [mm²]	/	
材料 Material			
绝缘材料	Insulation Material	LCP	
阻燃等级	Inflammability Class	UL94V-0	
导体材料	Conductor Material	Copper alloy	
导体表面镀层	Conductor Plating	Sn plated	
一般参数 Other Data			
间距/极数	Pitch/Poles [mm]/[P]	3.5/2*2~2*24	
剥线长度	Stripping Length [mm]	/	
螺丝/扭矩	Screw/Torque(Max) [N.m]	/	
工作温度	Operating temperature [°C]	-40~+130	
焊锡温度	Soldering temperature	285°C/10S	
引针尺寸	Pin dimensions [mm]	0.8*0.8	
PCB板孔径	PCB Hole Diameter [mm]	Ø1.4	



Pitch: 3.5 mm

WJ15EDGVHSC-THR-3.5

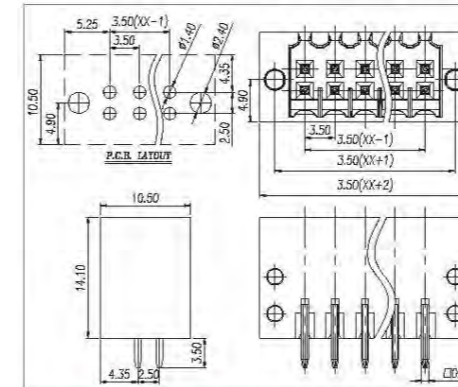
UL/CUL 技术参数 UL/CUL Technical Data		UL/CUL 技术参数 UL/CUL Technical Data	
等级	Use Group	B	C D
额定电压	Rated Voltage [V]	150	- -
额定电流	Rated Current [A]	10	- -
接线范围	单芯线 Solid [AWG]	/	
Wire Range	多芯线 Stranded [AWG]	/	
耐电压	Dielectric Voltage-Withstand	1.3KV	
IEC 技术参数 IEC Technical Data			
过电压类别	Surge voltage category	III	III II
污染等级	Contamination Class	3	2 2
额定电压	Rated Voltage [V]	80	125 250
额定电流	Rated Current [A]	10	10 10
额定冲击电压	Impulse withstand voltage [KV]	2.5	2.5 2.5
导线截面积	硬质导线 Solid [mm²]	/	
Conductor cross section	柔性导线 Flexible [mm²]	/	
材料 Material			
绝缘材料	Insulation Material	LCP	
阻燃等级	Inflammability Class	UL94V-0	
导体材料	Conductor Material	Copper alloy	
导体表面镀层	Conductor Plating	Sn plated	
一般参数 Other Data			
间距/极数	Pitch/Poles [mm]/[P]	3.5/2*2~2*24	
剥线长度	Stripping Length [mm]	/	
螺丝/扭矩	Screw/Torque(Max) [N.m]	/	
工作温度	Operating temperature [°C]	-40~+130	
焊锡温度	Soldering temperature	285°C/10S	
引针尺寸	Pin dimensions [mm]	0.8*0.8	
PCB板孔径	PCB Hole Diameter [mm]	Ø1.4	



Pitch: 3.5 mm

WJ15EDGVHSM-THR-3.5

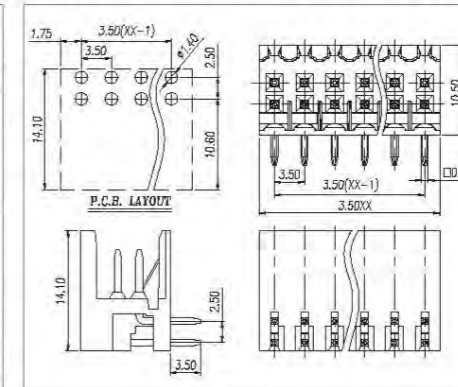
UL/CUL 技术参数 UL/CUL Technical Data		UL/CUL 技术参数 UL/CUL Technical Data	
等级	Use Group	B	C D
额定电压	Rated Voltage [V]	150	- -
额定电流	Rated Current [A]	10	- -
接线范围	单芯线 Solid [AWG]	/	
Wire Range	多芯线 Stranded [AWG]	/	
耐电压	Dielectric Voltage-Withstand	1.3KV	
IEC 技术参数 IEC Technical Data			
过电压类别	Surge voltage category	III	III II
污染等级	Contamination Class	3	2 2
额定电压	Rated Voltage [V]	80	125 250
额定电流	Rated Current [A]	10	10 10
额定冲击电压	Impulse withstand voltage [KV]	2.5	2.5 2.5
导线截面积	硬质导线 Solid [mm²]	/	
Conductor cross section	柔性导线 Flexible [mm²]	/	
材料 Material			
绝缘材料	Insulation Material	LCP	
阻燃等级	Inflammability Class	UL94V-0	
导体材料	Conductor Material	Copper alloy	
导体表面镀层	Conductor Plating	Sn plated	
一般参数 Other Data			
间距/极数	Pitch/Poles [mm]/[P]	3.5/2*2~2*24	
剥线长度	Stripping Length [mm]	/	
螺丝/扭矩	Screw/Torque(Max) [N.m]	/	
工作温度	Operating temperature [°C]	-40~+130	
焊锡温度	Soldering temperature	285°C/10S	
引针尺寸	Pin dimensions [mm]	0.8*0.8	
PCB板孔径	PCB Hole Diameter [mm]	Ø1.4	



Pitch: 3.5 mm

WJ15EDGRHS-THR-3.5

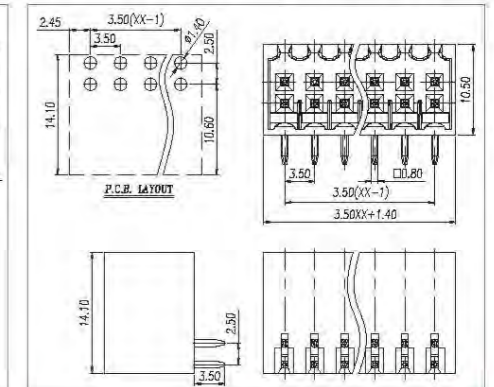
UL/CUL 技术参数 UL/CUL Technical Data		UL/CUL 技术参数 UL/CUL Technical Data	
等级	Use Group	B	C D
额定电压	Rated Voltage [V]	150	- -
额定电流	Rated Current [A]	10	- -
接线范围	单芯线 Solid [AWG]	/	
Wire Range	多芯线 Stranded [AWG]	/	
耐电压	Dielectric Voltage-Withstand	1.3KV	
IEC 技术参数 IEC Technical Data			
过电压类别	Surge voltage category	III	III II
污染等级	Contamination Class	3	2 2
额定电压	Rated Voltage [V]	80	125 250
额定电流	Rated Current [A]	10	10 10
额定冲击电压	Impulse withstand voltage [KV]	2.5	2.5 2.5
导线截面积	硬质导线 Solid [mm²]	/	
Conductor cross section	柔性导线 Flexible [mm²]	/	
材料 Material			
绝缘材料	Insulation Material	LCP	
阻燃等级	Inflammability Class	UL94V-0	
导体材料	Conductor Material	Copper alloy	
导体表面镀层	Conductor Plating	Sn plated	
一般参数 Other Data			
间距/极数	Pitch/Poles [mm]/[P]	3.5/2*2~2*24	
剥线长度	Stripping Length [mm]	/	
螺丝/扭矩	Screw/Torque(Max) [N.m]	/	
工作温度	Operating temperature [°C]	-40~+130	
焊锡温度	Soldering temperature	285°C/10S	
引针尺寸	Pin dimensions [mm]	0.8*0.8	
PCB板孔径	PCB Hole Diameter [mm]	Ø1.4	



Pitch: 3.5 mm

WJ15EDGRHSC-THR-3.5

UL/CUL 技术参数 UL/CUL Technical Data		UL/CUL 技术参数 UL/CUL Technical Data	
等级	Use Group	B	C D
额定电压	Rated Voltage [V]	150	- -
额定电流	Rated Current [A]	10	- -
接线范围	单芯线 Solid [AWG]	/	
Wire Range	多芯线 Stranded [AWG]	/	
耐电压	Dielectric Voltage-Withstand	1.3KV	
IEC 技术参数 IEC Technical Data			
过电压类别	Surge voltage category	III	III II
污染等级	Contamination Class	3	2 2
额定电压	Rated Voltage [V]	80	125 250
额定电流	Rated Current [A]	10	10 10
额定冲击电压	Impulse withstand voltage [KV]	2.5	2.5 2.5
导线截面积	硬质导线 Solid [mm²]	/	
Conductor cross section	柔性导线 Flexible [mm²]	/	
材料 Material			
绝缘材料	Insulation Material	LCP	
阻燃等级	Inflammability Class	UL94V-0	
导体材料	Conductor Material	Copper alloy	
导体表面镀层	Conductor Plating	Sn plated	
一般参数 Other Data			
间距/极数	Pitch/Poles [mm]/[P]	3.5/2*2~2*24	
剥线长度	Stripping Length [mm]	/	
螺丝/扭矩	Screw/Torque(Max) [N.m]	/	
工作温度	Operating temperature [°C]	-40~+130	
焊锡温度	Soldering temperature	285°C/10S	
引针尺寸	Pin dimensions [mm]	0.8*0.8	
PCB板孔径	PCB Hole Diameter [mm]	Ø1.4	





Pitch:3.5/3.81mm

WJ15EDGKB-3.5/3.81

UL/CUL 技术参数 UL/CUL Technical Data		UL/CUL		
等级	Use Group	B	C	D
额定电压	Rated Voltage [V]	300	-	300
额定电流	Rated Current [A]	8	-	8
接线范围 Wire Range	单芯线 Solid [AWG]	28~16		
	多芯线 Stranded [AWG]	28~16		
耐电压	Dielectric Voltage-Withstand	1.6KV		
IEC 技术参数 IEC Technical Data		IEC		
过电压类别	Overvoltage Category	II	III	II
污染等级	Contamination Class	3	2	2
额定电压	Rated Voltage [V]	160	160	320
额定电流	Rated Current [A]	8	8	8
额定冲击电压	Impulse withstand voltage [KV]	2.5	2.5	2.5
导线截面积 Conductor cross section	硬质导线 Solid[mm ²]	0.2~1.5		
	柔性导线 Flexible[mm ²]	0.2~1.5		
材料 Material		PA66		
绝缘材料	Insulation Material	PA66		
阻燃等级	Flame retardant rating	UL94V-0		
导体材料	Conductor Material	Copper alloy		
导体表面镀层	Plating of conductor surface	Sn plated		
一般参数 Other Data				
间距/极数	Pitch/Poles [mm]/[P]	3.5,3.81/2~24		
剥线长度	Stripping Length [mm]	6~7		
螺丝/扭矩	Screw/Torque(Max)[N.m]	M2/0.2		
工作温度	Operating temperature [°C]	-40~+105		
焊接温度	Soldering temperature	/		
引针尺寸	Pin dimensions [mm]	/		
PCB板孔径	PCB Hole Diameter [mm]	/		



Pitch:3.5/3.81mm

WJ15EDGKBM-3.5/3.81

UL/CUL 技术参数 UL/CUL Technical Data		UL/CUL		
等级	Use Group	B	C	D
额定电压	Rated Voltage [V]	300	-	300
额定电流	Rated Current [A]	8	-	8
接线范围 Wire Range	单芯线 Solid [AWG]	28~16		
	多芯线 Stranded [AWG]	28~16		
耐电压	Dielectric Voltage-Withstand	1.6KV		
IEC 技术参数 IEC Technical Data		IEC		
过电压类别	Overvoltage Category	II	III	II
污染等级	Contamination Class	3	2	2
额定电压	Rated Voltage [V]	160	160	320
额定电流	Rated Current [A]	8	8	8
额定冲击电压	Impulse withstand voltage [KV]	2.5	2.5	2.5
导线截面积 Conductor cross section	硬质导线 Solid[mm ²]	0.2~1.5		
	柔性导线 Flexible[mm ²]	0.2~1.5		
材料 Material		PA66		
绝缘材料	Insulation Material	PA66		
阻燃等级	Flame retardant rating	UL94V-0		
导体材料	Conductor Material	Copper alloy		
导体表面镀层	Plating of conductor surface	Sn plated		
一般参数 Other Data				
间距/极数	Pitch/Poles [mm]/[P]	3.5,3.81/2~24		
剥线长度	Stripping Length [mm]	6~7		
螺丝/扭矩	Screw/Torque(Max)[N.m]	M2/0.2		
工作温度	Operating temperature [°C]	-40~+105		
焊接温度	Soldering temperature	/		
引针尺寸	Pin dimensions [mm]	/		
PCB板孔径	PCB Hole Diameter [mm]	/		



Pitch:3.81mm

WJ15EDGKC-3.81

UL/CUL 技术参数 UL/CUL Technical Data		UL/CUL		
等级	Use Group	B	C	D
额定电压	Rated Voltage [V]	300	-	300
额定电流	Rated Current [A]	8	-	8
接线范围 Wire Range	单芯线 Solid [AWG]	28~16		
	多芯线 Stranded [AWG]	28~16		
耐电压	Dielectric Voltage-Withstand	1.6KV		
IEC 技术参数 IEC Technical Data		IEC		
过电压类别	Overvoltage Category	II	III	II
污染等级	Contamination Class	3	2	2
额定电压	Rated Voltage [V]	160	160	320
额定电流	Rated Current [A]	8	8	8
额定冲击电压	Impulse withstand voltage [KV]	2.5	2.5	2.5
导线截面积 Conductor cross section	硬质导线 Solid[mm ²]	0.2~1.5		
	柔性导线 Flexible[mm ²]	0.2~1.5		
材料 Material		PA66		
绝缘材料	Insulation Material	PA66		
阻燃等级	Flame retardant rating	UL94V-0		
导体材料	Conductor Material	Copper alloy		
导体表面镀层	Plating of conductor surface	Sn plated		
一般参数 Other Data				
间距/极数	Pitch/Poles [mm]/[P]	3.81/2~24		
剥线长度	Stripping Length [mm]	6~7		
螺丝/扭矩	Screw/Torque(Max)[N.m]	M2/0.2		
工作温度	Operating temperature [°C]	-40~+105		
焊接温度	Soldering temperature	/		
引针尺寸	Pin dimensions [mm]	/		
PCB板孔径	PCB Hole Diameter [mm]	/		



Pitch:3.81mm

WJ15EDGKCM-3.81

UL/CUL 技术参数 UL/CUL Technical Data		UL/CUL		
等级	Use Group	B	C	D
额定电压	Rated Voltage [V]	300	-	300
额定电流	Rated Current [A]	8	-	8
接线范围 Wire Range	单芯线 Solid [AWG]	28~16		
	多芯线 Stranded [AWG]	28~16		
耐电压	Dielectric Voltage-Withstand	1.6KV		
IEC 技术参数 IEC Technical Data		IEC		
过电压类别	Overvoltage Category	II	III	II
污染等级	Contamination Class	3	2	2
额定电压	Rated Voltage [V]	160	160	320
额定电流	Rated Current [A]	8	8	8
额定冲击电压	Impulse withstand voltage [KV]	2.5	2.5	2.5
导线截面积 Conductor cross section	硬质导线 Solid[mm ²]	0.2~1.5		
	柔性导线 Flexible[mm ²]	0.2~1.5		
材料 Material		PA66		
绝缘材料	Insulation Material	PA66		
阻燃等级	Flame retardant rating	UL94V-0		
导体材料	Conductor Material	Copper alloy		
导体表面镀层	Plating of conductor surface	Sn plated		
一般参数 Other Data				
间距/极数	Pitch/Poles [mm]/[P]	3.81/2~24		
剥线长度	Stripping Length [mm]	6~7		
螺丝/扭矩	Screw/Torque(Max)[N.m]	M2/0.2		
工作温度	Operating temperature [°C]	-40~+105		
焊接温度	Soldering temperature	/		
引针尺寸	Pin dimensions [mm]	/		
PCB板孔径	PCB Hole Diameter [mm]	/		



Pitch:3.5/3.81mm

WJ15EDGKD-3.5/3.81

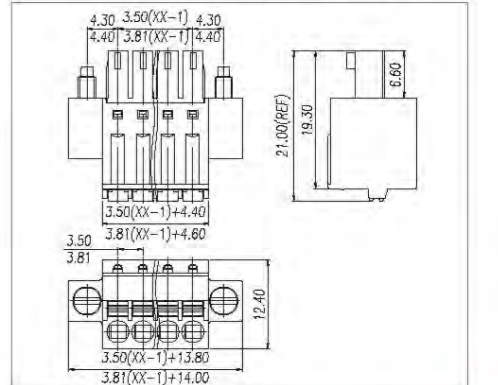
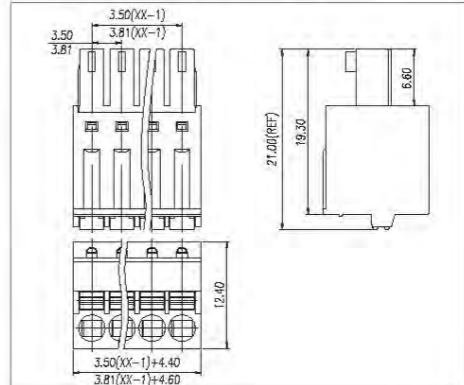
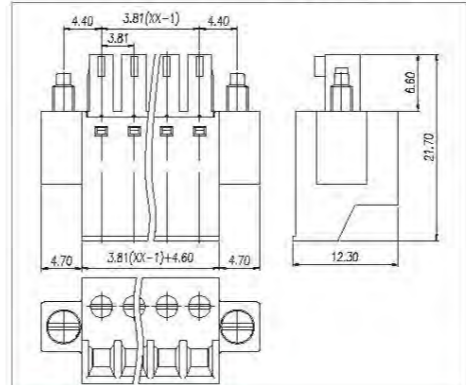
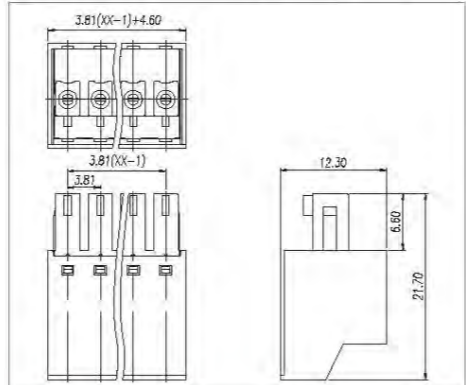
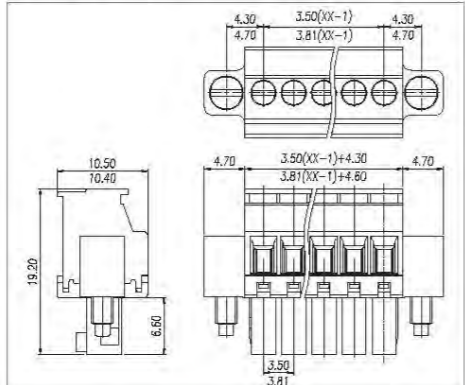
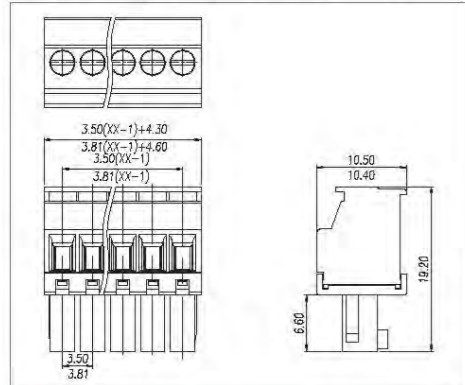
UL/CUL 技术参数 UL/CUL Technical Data		UL/CUL		
等级	Use Group	B	C	D
额定电压	Rated Voltage [V]	300	-	300
额定电流	Rated Current [A]	8	-	8
接线范围 Wire Range	单芯线 Solid [AWG]	28~16		
	多芯线 Stranded [AWG]	28~16		
耐电压	Dielectric Voltage-Withstand	1.6KV		
IEC 技术参数 IEC Technical Data		IEC		
过电压类别	Overvoltage Category	II	III	II
污染等级	Contamination Class	3	2	2
额定电压	Rated Voltage [V]	160	160	320
额定电流	Rated Current [A]	8	8	8
额定冲击电压	Impulse withstand voltage [KV]	2.5	2.5	2.5
导线截面积 Conductor cross section	硬质导线 Solid[mm ²]	0.2~1.5		
	柔性导线 Flexible[mm ²]	0.2~1.5		
材料 Material		PA66		
绝缘材料	Insulation Material	PA66		
阻燃等级	Flame retardant rating	UL94V-0		
导体材料	Conductor Material	Copper alloy		
导体表面镀层	Plating of conductor surface	Sn plated		
一般参数 Other Data				
间距/极数	Pitch/Poles [mm]/[P]	3.5,3.81/2~24		
剥线长度	Stripping Length [mm]	7~8		
螺丝/扭矩	Screw/Torque(Max)[N.m]	/		
工作温度	Operating temperature [°C]	-40~+105		
焊接温度	Soldering temperature	/		
引针尺寸	Pin dimensions [mm]	/		
PCB板孔径	PCB Hole Diameter [mm]	/		



Pitch:3.5/3.81mm

WJ15EDGKDM-3.5/3.81

UL/CUL 技术参数 UL/CUL Technical Data		UL/CUL		
等级	Use Group	B	C	D
额定电压	Rated Voltage [V]	300	-	300
额定电流	Rated Current [A]	8	-	8
接线范围 Wire Range	单芯线 Solid [AWG]	28~16		
	多芯线 Stranded [AWG]	28~16		
耐电压	Dielectric Voltage-Withstand	1.6KV		
IEC 技术参数 IEC Technical Data		IEC		
过电压类别	Overvoltage Category	II	III	II
污染等级	Contamination Class	3	2	2
额定电压	Rated Voltage [V]	160	160	320
额定电流	Rated Current [A]	8	8	8
额定冲击电压	Impulse withstand voltage [KV]	2.5	2.5	2.5
导线截面积 Conductor cross section	硬质导线 Solid[mm ²]	0.2~1.5		
	柔性导线 Flexible[mm ²]	0.2~1.5		
材料 Material		PA66		
绝缘材料	Insulation Material	PA66		
阻燃等级	Flame retardant rating	UL94V-0		
导体材料	Conductor Material	Copper alloy		
导体表面镀层	Plating of conductor surface	Sn plated		
一般参数 Other Data				
间距/极数	Pitch/Poles [mm]/[P]	3.5,3.81/2~24		
剥线长度	Stripping Length [mm]	7~8		
螺丝/扭矩	Screw/Torque(Max)[N.m]	/		
工作温度	Operating temperature [°C]	-40~+105		
焊接温度	Soldering temperature	/		
引针尺寸	Pin dimensions [mm]	/		
PCB板孔径	PCB Hole Diameter [mm]	/		





WJ15EDGAM-3.5/3.81

WJ15EDGBG-3.5

WJ15EDGAG-3.5

WJ15EDGKR-3.81

WJ15EDGKRM-3.81

WJ15EDGKRN-3.81

UL/CUL 技术参数 UL/CUL Technical Data				
等级 Use Group	B	C	D	
额定电压 Rated Voltage [V]	300	-	300	
额定电流 Rated Current [A]	8	-	8	
接线范围 Wire Range	单芯线 Solid [AWG]	/		
	多芯线 Stranded [AWG]	/		
耐电压 Dielectric Voltage-Withstand	1.6KV			
IEC 技术参数 IEC Technical Data				
过电压类别 Overvoltage Category	II	III	II	
污染等级 Contamination Class	3	2	2	
额定电压 Rated Voltage [V]	160	160	320	
额定电流 Rated Current [A]	8	8	8	
额定冲击电压 Impulse withstand voltage [KV]	2.5	2.5	2.5	
导线截面积 Conductor cross section	硬质导线 Solid [mm ²]	/		
	柔性导线 Flexible [mm ²]	/		
材料 Material				
绝缘材料 Insulation Material	PA66			
阻燃等级 Flame retardant rating	UL94V-0			
导体材料 Conductor Material	Copper alloy			
导体表面镀层 Plating of conductor surface	Sn plated			
一般参数 Other Data				
间距/极数 Pitch/Poles [mm]/[P]	3.5,3.81/2~24			
剥线长度 Stripping Length [mm]	/			
螺丝/扭矩 Screw/Torque(Max) [N.m]	/			
工作温度 Operating temperature [°C]	-40~+105			
焊锡温度 Soldering temperature	260°C /5S			
引针尺寸 Pin dimensions [mm]	0.6*1.0			
PCB板孔径 PCB Hole Diameter [mm]	Ø1.4			

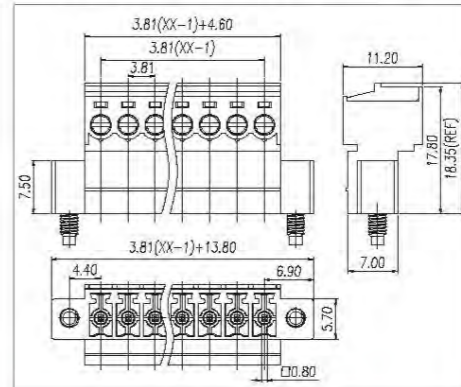
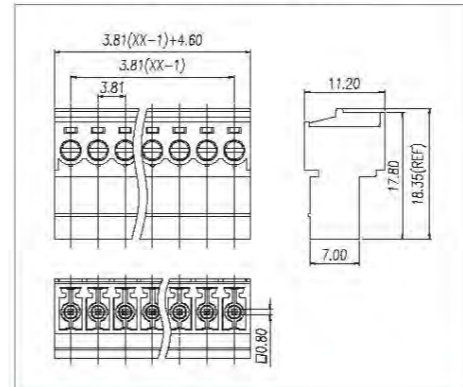
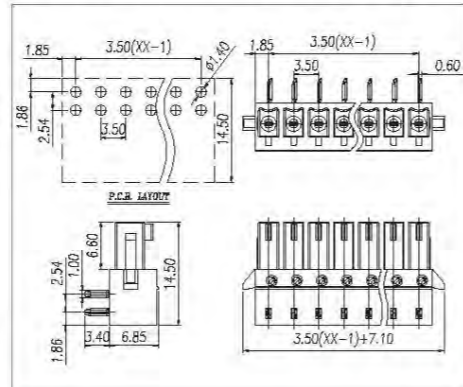
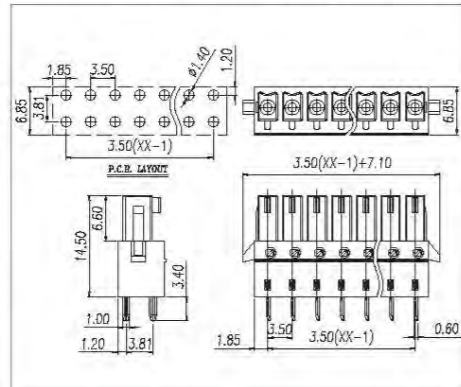
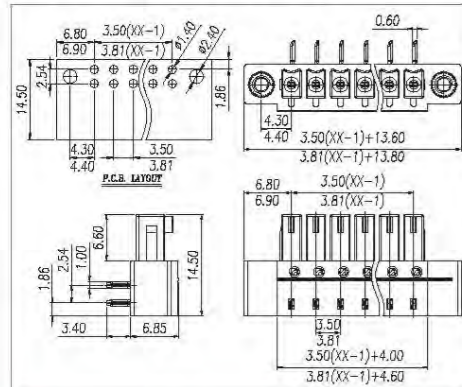
UL/CUL 技术参数 UL/CUL Technical Data				
等级 Use Group	B	C	D	
额定电压 Rated Voltage [V]	300	-	300	
额定电流 Rated Current [A]	8	-	8	
接线范围 Wire Range	单芯线 Solid [AWG]	/		
	多芯线 Stranded [AWG]	/		
耐电压 Dielectric Voltage-Withstand	1.6KV			
IEC 技术参数 IEC Technical Data				
过电压类别 Overvoltage Category	II	III	II	
污染等级 Contamination Class	3	2	2	
额定电压 Rated Voltage [V]	160	160	320	
额定电流 Rated Current [A]	8	8	8	
额定冲击电压 Impulse withstand voltage [KV]	2.5	2.5	2.5	
导线截面积 Conductor cross section	硬质导线 Solid [mm ²]	/		
	柔性导线 Flexible [mm ²]	/		
材料 Material				
绝缘材料 Insulation Material	PA66			
阻燃等级 Flame retardant rating	UL94V-0			
导体材料 Conductor Material	Copper alloy			
导体表面镀层 Plating of conductor surface	Sn plated			
一般参数 Other Data				
间距/极数 Pitch/Poles [mm]/[P]	3.5/2~24			
剥线长度 Stripping Length [mm]	/			
螺丝/扭矩 Screw/Torque(Max) [N.m]	/			
工作温度 Operating temperature [°C]	-40~+105			
焊锡温度 Soldering temperature	260°C /5S			
引针尺寸 Pin dimensions [mm]	0.6*1.0			
PCB板孔径 PCB Hole Diameter [mm]	Ø1.4			

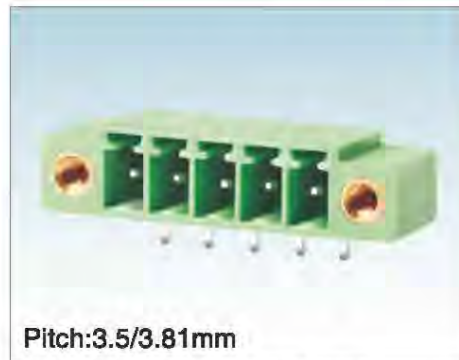
UL/CUL 技术参数 UL/CUL Technical Data				
等级 Use Group	B	C	D	
额定电压 Rated Voltage [V]	300	-	300	
额定电流 Rated Current [A]	8	-	8	
接线范围 Wire Range	单芯线 Solid [AWG]	/		
	多芯线 Stranded [AWG]	/		
耐电压 Dielectric Voltage-Withstand	1.6KV			
IEC 技术参数 IEC Technical Data				
过电压类别 Overvoltage Category	II	III	II	
污染等级 Contamination Class	3	2	2	
额定电压 Rated Voltage [V]	160	160	320	
额定电流 Rated Current [A]	8	8	8	
额定冲击电压 Impulse withstand voltage [KV]	2.5	2.5	2.5	
导线截面积 Conductor cross section	硬质导线 Solid [mm ²]	/		
	柔性导线 Flexible [mm ²]	/		
材料 Material				
绝缘材料 Insulation Material	PA66			
阻燃等级 Flame retardant rating	UL94V-0			
导体材料 Conductor Material	Copper alloy			
导体表面镀层 Plating of conductor surface	Sn plated			
一般参数 Other Data				
间距/极数 Pitch/Poles [mm]/[P]	3.5/2~24			
剥线长度 Stripping Length [mm]	/			
螺丝/扭矩 Screw/Torque(Max) [N.m]	/			
工作温度 Operating temperature [°C]	-40~+105			
焊锡温度 Soldering temperature	260°C /5S			
引针尺寸 Pin dimensions [mm]	0.6*1.0			
PCB板孔径 PCB Hole Diameter [mm]	Ø1.4			

UL/CUL 技术参数 UL/CUL Technical Data				
等级 Use Group	B	C	D	
额定电压 Rated Voltage [V]	300	-	300	
额定电流 Rated Current [A]	8	-	8	
接线范围 Wire Range	单芯线 Solid [AWG]	28~16		
	多芯线 Stranded [AWG]	28~16		
耐电压 Dielectric Voltage-Withstand	1.6KV			
IEC 技术参数 IEC Technical Data				
过电压类别 Overvoltage Category	II	III	II	
污染等级 Contamination Class	3	2	2	
额定电压 Rated Voltage [V]	160	160	320	
额定电流 Rated Current [A]	8	8	8	
额定冲击电压 Impulse withstand voltage [KV]	2.5	2.5	2.5	
导线截面积 Conductor cross section	硬质导线 Solid [mm ²]	0.2~1.5		
	柔性导线 Flexible [mm ²]	0.2~1.5		
材料 Material				
绝缘材料 Insulation Material	PA66			
阻燃等级 Flame retardant rating	UL94V-0			
导体材料 Conductor Material	Copper alloy			
导体表面镀层 Plating of conductor surface	Sn plated			
一般参数 Other Data				
间距/极数 Pitch/Poles [mm]/[P]	3.81/2~24			
剥线长度 Stripping Length [mm]	6~7			
螺丝/扭矩 Screw/Torque(Max) [N.m]	M2/0.2			
工作温度 Operating temperature [°C]	-40~+105			
焊锡温度 Soldering temperature	/			
引针尺寸 Pin dimensions [mm]	/			
PCB板孔径 PCB Hole Diameter [mm]	/			

UL/CUL 技术参数 UL/CUL Technical Data				
等级 Use Group	B	C	D	
额定电压 Rated Voltage [V]	300	-	300	
额定电流 Rated Current [A]	8	-	8	
接线范围 Wire Range	单芯线 Solid [AWG]	28~16		
	多芯线 Stranded [AWG]	28~16		
耐电压 Dielectric Voltage-Withstand	1.6KV			
IEC 技术参数 IEC Technical Data				
过电压类别 Overvoltage Category	II	III	II	
污染等级 Contamination Class	3	2	2	
额定电压 Rated Voltage [V]	160	160	320	
额定电流 Rated Current [A]	8	8	8	
额定冲击电压 Impulse withstand voltage [KV]	2.5	2.5	2.5	
导线截面积 Conductor cross section	硬质导线 Solid [mm ²]	0.2~1.5		
	柔性导线 Flexible [mm ²]	0.2~1.5		
材料 Material				
绝缘材料 Insulation Material	PA66			
阻燃等级 Flame retardant rating	UL94V-0			
导体材料 Conductor Material	Copper alloy			
导体表面镀层 Plating of conductor surface	Sn plated			
一般参数 Other Data				
间距/极数 Pitch/Poles [mm]/[P]	3.81/2~24			
剥线长度 Stripping Length [mm]	6~7			
螺丝/扭矩 Screw/Torque(Max) [N.m]	M2/0.2			
工作温度 Operating temperature [°C]	-40~+105			
焊锡温度 Soldering temperature	/			
引针尺寸 Pin dimensions [mm]	/			
PCB板孔径 PCB Hole Diameter [mm]	/			

UL/CUL 技术参数 UL/CUL Technical Data				
等级 Use Group	B	C	D	
额定电压 Rated Voltage [V]	300	-	300	
额定电流 Rated Current [A]	8	-	8	
接线范围 Wire Range	单芯线 Solid [AWG]	28~16		
	多芯线 Stranded [AWG]	28~16		
耐电压 Dielectric Voltage-Withstand	1.6KV			
IEC 技术参数 IEC Technical Data				
过电压类别 Overvoltage Category	II	III	II	
污染等级 Contamination Class	3	2	2	
额定电压 Rated Voltage [V]	160	160	320	
额定电流 Rated Current [A]	8	8	8	
额定冲击电压 Impulse withstand voltage [KV]	2.5	2.5	2.5	
导线截面积 Conductor cross section	硬质导线 Solid [mm ²]	0.2~1.5		
	柔性导线 Flexible [mm ²]	0.2~1.5		
材料 Material				
绝缘材料 Insulation Material	PA66			
阻燃等级 Flame retardant rating	UL94V-0			
导体材料 Conductor Material	Copper alloy			
导体表面镀层 Plating of conductor surface	Sn plated			
一般参数 Other Data				
间距/极数 Pitch/Poles [mm]/[P]	3.81/2~24			
剥线长度 Stripping Length [mm]	6~7			
螺丝/扭矩 Screw/Torque(Max) [N.m]	M2/0.2			
工作温度 Operating temperature [°C]	-40~+105			
焊锡温度 Soldering temperature	/			
引针尺寸 Pin dimensions [mm]	/			
PCB板孔径 PCB Hole Diameter [mm]	/			





Pitch:3.5/3.81mm

WJ15EDGRM-3.5/3.81

UL/CUL 技术参数 UL/CUL Technical Data		UL/CUL 技术参数 UL/CUL Technical Data	
等级	Use Group	B	C D
额定电压	Rated Voltage [V]	300	- 300
额定电流	Rated Current [A]	8	- 8
接线范围 Wire Range	单芯线 Solid [AWG]	/	
	多芯线 Stranded [AWG]	/	
耐电压	Dielectric Voltage-Withstand	1.6KV	
IEC 技术参数 IEC Technical Data		IEC 技术参数 IEC Technical Data	
过电压类别	Overvoltage Category	III	III II
污染等级	Contamination Class	3	2 2
额定电压	Rated Voltage [V]	160	160 250
额定电流	Rated Current [A]	7	7 7
额定冲击电压	Impulse withstand voltage [KV]	2.5	2.5 2.5
导线截面积 Conductor cross section	硬质导线 Solid [mm²]	/	
	柔性导线 Flexible [mm²]	/	
材料 Material		材料 Material	
绝缘材料	Insulation Material	PA66	
阻燃等级	Flame retardant rating	UL94V-0	
导体材料	Conductor Material	Copper alloy	
导体表面镀层	Plating of conductor surface	Sn plated	
一般参数 Other Data		一般参数 Other Data	
间距/极数	Pitch/Poles [mm]/[P]	3.5,3.81/2-24	
剥线长度	Stripping Length [mm]	/	
螺丝/扭矩	Screw/Torque(Max)[N.m]	/	
工作温度	Operating temperature [°C]	-40~+105	
锡焊温度	Soldering temperature	260°C /5S	
引针尺寸	Pin dimensions [mm]	0.8*0.8	
PCB孔径	PCB Hole Diameter [mm]	Ø1.4	



Pitch:3.5/3.81mm

WJ15EDGVMG-3.5/3.81

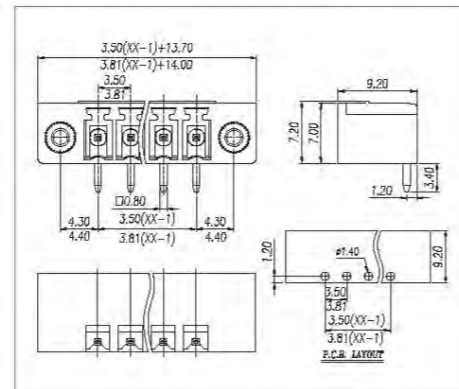
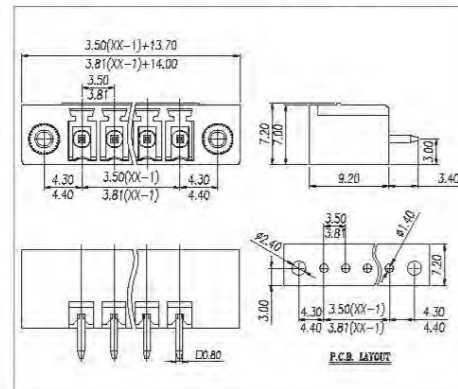
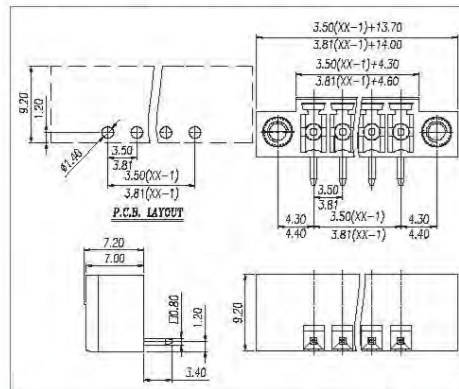
UL/CUL 技术参数 UL/CUL Technical Data		UL/CUL 技术参数 UL/CUL Technical Data	
等级	Use Group	B	C D
额定电压	Rated Voltage [V]	300	- 300
额定电流	Rated Current [A]	8	- 8
接线范围 Wire Range	单芯线 Solid [AWG]	/	
	多芯线 Stranded [AWG]	/	
耐电压	Dielectric Voltage-Withstand	1.6KV	
IEC 技术参数 IEC Technical Data		IEC 技术参数 IEC Technical Data	
过电压类别	Overvoltage Category	III	III II
污染等级	Contamination Class	3	2 2
额定电压	Rated Voltage [V]	160	160 250
额定电流	Rated Current [A]	7	7 7
额定冲击电压	Impulse withstand voltage [KV]	2.5	2.5 2.5
导线截面积 Conductor cross section	硬质导线 Solid [mm²]	/	
	柔性导线 Flexible [mm²]	/	
材料 Material		材料 Material	
绝缘材料	Insulation Material	PA66	
阻燃等级	Flame retardant rating	UL94V-0	
导体材料	Conductor Material	Copper alloy	
导体表面镀层	Plating of conductor surface	Sn plated	
一般参数 Other Data		一般参数 Other Data	
间距/极数	Pitch/Poles [mm]/[P]	3.5,3.81/2-24	
剥线长度	Stripping Length [mm]	/	
螺丝/扭矩	Screw/Torque(Max)[N.m]	/	
工作温度	Operating temperature [°C]	-40~+105	
锡焊温度	Soldering temperature	260°C /5S	
引针尺寸	Pin dimensions [mm]	0.8*0.8	
PCB孔径	PCB Hole Diameter [mm]	Ø1.4	



Pitch:3.5/3.81mm

WJ15EDGRMG-3.5/3.81

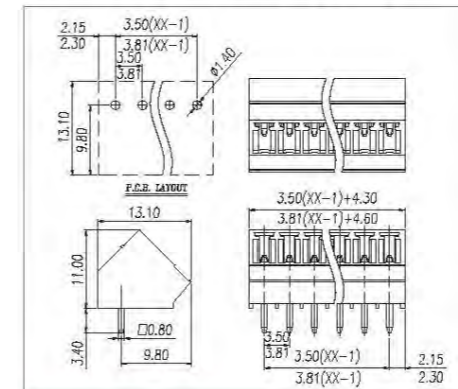
UL/CUL 技术参数 UL/CUL Technical Data		UL/CUL 技术参数 UL/CUL Technical Data	
等级	Use Group	B	C D
额定电压	Rated Voltage [V]	300	- 300
额定电流	Rated Current [A]	8	- 8
接线范围 Wire Range	单芯线 Solid [AWG]	/	
	多芯线 Stranded [AWG]	/	
耐电压	Dielectric Voltage-Withstand	1.6KV	
IEC 技术参数 IEC Technical Data		IEC 技术参数 IEC Technical Data	
过电压类别	Overvoltage Category	III	III II
污染等级	Contamination Class	3	2 2
额定电压	Rated Voltage [V]	160	160 250
额定电流	Rated Current [A]	7	7 7
额定冲击电压	Impulse withstand voltage [KV]	2.5	2.5 2.5
导线截面积 Conductor cross section	硬质导线 Solid [mm²]	/	
	柔性导线 Flexible [mm²]	/	
材料 Material		材料 Material	
绝缘材料	Insulation Material	PA66	
阻燃等级	Flame retardant rating	UL94V-0	
导体材料	Conductor Material	Copper alloy	
导体表面镀层	Plating of conductor surface	Sn plated	
一般参数 Other Data		一般参数 Other Data	
间距/极数	Pitch/Poles [mm]/[P]	3.5,3.81/2-24	
剥线长度	Stripping Length [mm]	/	
螺丝/扭矩	Screw/Torque(Max)[N.m]	/	
工作温度	Operating temperature [°C]	-40~+105	
锡焊温度	Soldering temperature	260°C /5S	
引针尺寸	Pin dimensions [mm]	0.8*0.8	
PCB孔径	PCB Hole Diameter [mm]	Ø1.4	



Pitch:3.5/3.81mm

WJ15EDGLC-3.5/3.81

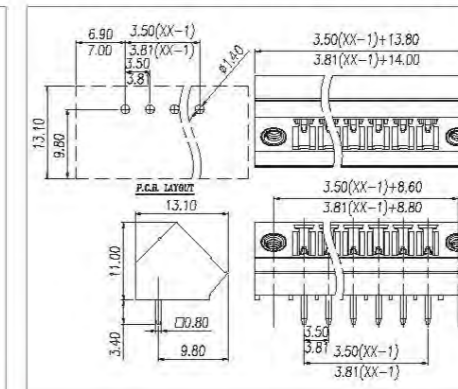
UL/CUL 技术参数 UL/CUL Technical Data		UL/CUL 技术参数 UL/CUL Technical Data	
等级	Use Group	B	C D
额定电压	Rated Voltage [V]	300	- 300
额定电流	Rated Current [A]	8	- 8
接线范围 Wire Range	单芯线 Solid [AWG]	/	
	多芯线 Stranded [AWG]	/	
耐电压	Dielectric Voltage-Withstand	1.6KV	
IEC 技术参数 IEC Technical Data		IEC 技术参数 IEC Technical Data	
过电压类别	Overvoltage Category	III	III II
污染等级	Contamination Class	3	2 2
额定电压	Rated Voltage [V]	160	160 320
额定电流	Rated Current [A]	8	8 8
额定冲击电压	Impulse withstand voltage [KV]	2.5	2.5 2.5
导线截面积 Conductor cross section	硬质导线 Solid [mm²]	/	
	柔性导线 Flexible [mm²]	/	
材料 Material		材料 Material	
绝缘材料	Insulation Material	PA66	
阻燃等级	Flame retardant rating	UL94V-0	
导体材料	Conductor Material	Copper alloy	
导体表面镀层	Plating of conductor surface	Sn plated	
一般参数 Other Data		一般参数 Other Data	
间距/极数	Pitch/Poles [mm]/[P]	3.5,3.81/2-24	
剥线长度	Stripping Length [mm]	/	
螺丝/扭矩	Screw/Torque(Max)[N.m]	/	
工作温度	Operating temperature [°C]	-40~+105	
锡焊温度	Soldering temperature	260°C /5S	
引针尺寸	Pin dimensions [mm]	0.8*0.8	
PCB孔径	PCB Hole Diameter [mm]	Ø1.4	



Pitch:3.5/3.81mm

WJ15EDGLM-3.5/3.81

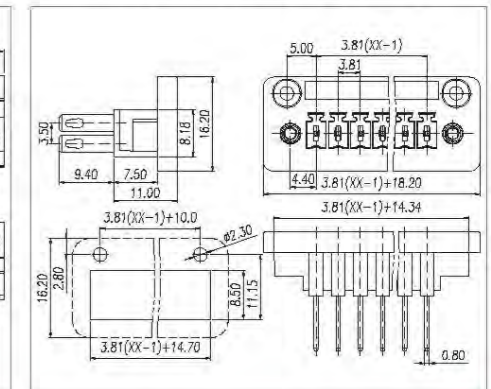
UL/CUL 技术参数 UL/CUL Technical Data		UL/CUL 技术参数 UL/CUL Technical Data	
等级	Use Group	B	C D
额定电压	Rated Voltage [V]	300	- 300
额定电流	Rated Current [A]	8	- 8
接线范围 Wire Range	单芯线 Solid [AWG]	/	
	多芯线 Stranded [AWG]	/	
耐电压	Dielectric Voltage-Withstand	1.6KV	
IEC 技术参数 IEC Technical Data		IEC 技术参数 IEC Technical Data	
过电压类别	Overvoltage Category	III	III II
污染等级	Contamination Class	3	2 2
额定电压	Rated Voltage [V]	160	160 320
额定电流	Rated Current [A]	8	8 8
额定冲击电压	Impulse withstand voltage [KV]	2.5	2.5 2.5
导线截面积 Conductor cross section	硬质导线 Solid [mm²]	/	
	柔性导线 Flexible [mm²]	/	
材料 Material		材料 Material	
绝缘材料	Insulation Material	PA66	
阻燃等级	Flame retardant rating	UL94V-0	
导体材料	Conductor Material	Copper alloy	
导体表面镀层	Plating of conductor surface	Sn plated	
一般参数 Other Data		一般参数 Other Data	
间距/极数	Pitch/Poles [mm]/[P]	3.5,3.81/2-24	
剥线长度	Stripping Length [mm]	/	
螺丝/扭矩	Screw/Torque(Max)[N.m]	/	
工作温度	Operating temperature [°C]	-40~+105	
锡焊温度	Soldering temperature	260°C /5S	
引针尺寸	Pin dimensions [mm]	0.8*0.8	
PCB孔径	PCB Hole Diameter [mm]	Ø1.4	



Pitch:3.81mm

WJ15CDGM-3.81

UL/CUL 技术参数 UL/CUL Technical Data		UL/CUL 技术参数 UL/CUL Technical Data	
等级	Use Group	B	C D
额定电压	Rated Voltage [V]	300	- 300
额定电流	Rated Current [A]	8	- 8
接线范围 Wire Range	单芯线 Solid [AWG]	/	
	多芯线 Stranded [AWG]	/	
耐电压	Dielectric Voltage-Withstand	1.6KV	
IEC 技术参数 IEC Technical Data		IEC 技术参数 IEC Technical Data	
过电压类别	Overvoltage Category	III	III II
污染等级	Contamination Class	3	2 2
额定电压	Rated Voltage [V]	160	160 320
额定电流	Rated Current [A]	8	8 8
额定冲击电压	Impulse withstand voltage [KV]	2.5	2.5 2.5
导线截面积 Conductor cross section	硬质导线 Solid [mm²]	/	
	柔性导线 Flexible [mm²]	/	
材料 Material		材料 Material	
绝缘材料	Insulation Material	PA66	
阻燃等级	Flame retardant rating	UL94V-0	
导体材料	Conductor Material	Copper alloy	
导体表面镀层	Plating of conductor surface	Sn plated	
一般参数 Other Data		一般参数 Other Data	
间距/极数	Pitch/Poles [mm]/[P]	3.81/2-24	
剥线长度	Stripping Length [mm]	/	
螺丝/扭矩	Screw/Torque(Max)[N.m]	/	
工作温度	Operating temperature [°C]	-40~+105	
锡焊温度	Soldering temperature	/	
引针尺寸	Pin dimensions [mm]	/	
PCB孔径	PCB Hole Diameter [mm]	/	

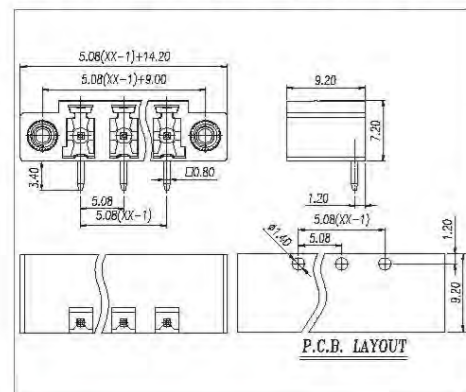




Pitch:5.08mm

WJ15EDGRM-5.08

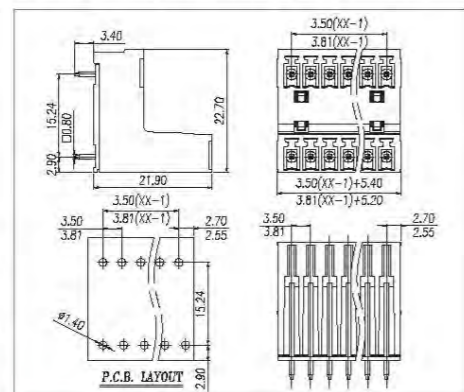
UL/CUL 技术参数 UL/CUL Technical Data			
等级 Use Group	B C D		
额定电压 Rated Voltage [V]	300	-	300
额定电流 Rated Current [A]	8	-	8
接线范围 Wire Range	单芯线 Solid [AWG] / 多芯线 Stranded [AWG]		
耐电压 Dielectric Voltage-Withstand	1.6KV		
IEC 技术参数 IEC Technical Data			
过电压类别 Overvoltage Category	III	III	II
污染等级 Contamination Class	3	2	2
额定电压 Rated Voltage [V]	250	320	400
额定电流 Rated Current [A]	8	8	8
额定冲击电压 Impulse withstand voltage [KV]	4	4	4
导线截面积 Conductor cross section	硬质导线 Solid [mm²] / 柔性导线 Flexible [mm²]		
材料 Material		PA66	
绝缘材料 Insulation Material	PA66		
阻燃等级 Flame retardant rating	UL94V-0		
导体材料 Conductor Material	Copper alloy		
导体表面镀层 Plating of conductor surface	Sn plated		
一般参数 Other Data		PA66	
间距/极数 Pitch/Poles [mm]/[P]	5.08/2~24		
剥线长度 Stripping Length [mm]	/		
螺丝/扭矩 Screw/Torque(Max) [N.m]	/		
工作温度 Operating temperature [°C]	-40~+105		
焊锡温度 Soldering temperature	260°C /5S		
引针尺寸 Pin dimensions [mm]	0.8*0.8		
PCB板孔径 PCB Hole Diameter [mm]	Ø1.4		



Pitch:3.5/3.81mm

WJ15EDGVT-3.5/3.81

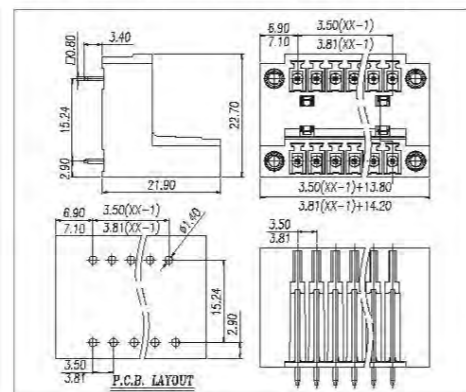
UL/CUL 技术参数 UL/CUL Technical Data			
等级 Use Group	B C D		
额定电压 Rated Voltage [V]	300	-	300
额定电流 Rated Current [A]	8	-	8
接线范围 Wire Range	单芯线 Solid [AWG] / 多芯线 Stranded [AWG]		
耐电压 Dielectric Voltage-Withstand	1.6KV		
IEC 技术参数 IEC Technical Data			
过电压类别 Overvoltage Category	III	III	II
污染等级 Contamination Class	3	2	2
额定电压 Rated Voltage [V]	160	160	320
额定电流 Rated Current [A]	8	8	8
额定冲击电压 Impulse withstand voltage [KV]	2.5	2.5	2.5
导线截面积 Conductor cross section	硬质导线 Solid [mm²] / 柔性导线 Flexible [mm²]		
材料 Material		PA66	
绝缘材料 Insulation Material	PA66		
阻燃等级 Flame retardant rating	UL94V-0		
导体材料 Conductor Material	Copper alloy		
导体表面镀层 Plating of conductor surface	Sn plated		
一般参数 Other Data		PA66	
间距/极数 Pitch/Poles [mm]/[P]	3.5,3.81/ 2*2~2*24		
剥线长度 Stripping Length [mm]	/		
螺丝/扭矩 Screw/Torque(Max) [N.m]	/		
工作温度 Operating temperature [°C]	-40~+105		
焊锡温度 Soldering temperature	260°C /5S		
引针尺寸 Pin dimensions [mm]	0.8*0.8		
PCB板孔径 PCB Hole Diameter [mm]	Ø1.4		



Pitch:3.5/3.81mm

WJ15EDGVTM-3.5/3.81

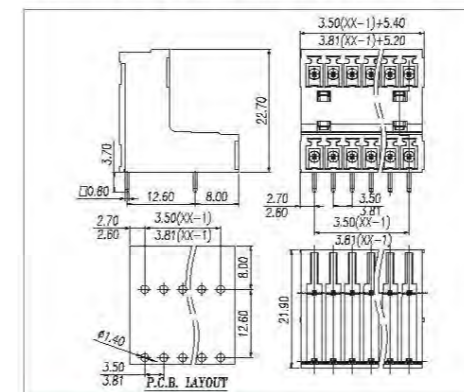
UL/CUL 技术参数 UL/CUL Technical Data			
等级 Use Group	B C D		
额定电压 Rated Voltage [V]	300	-	300
额定电流 Rated Current [A]	8	-	8
接线范围 Wire Range	单芯线 Solid [AWG] / 多芯线 Stranded [AWG]		
耐电压 Dielectric Voltage-Withstand	1.6KV		
IEC 技术参数 IEC Technical Data			
过电压类别 Overvoltage Category	III	III	II
污染等级 Contamination Class	3	2	2
额定电压 Rated Voltage [V]	160	160	320
额定电流 Rated Current [A]	8	8	8
额定冲击电压 Impulse withstand voltage [KV]	2.5	2.5	2.5
导线截面积 Conductor cross section	硬质导线 Solid [mm²] / 柔性导线 Flexible [mm²]		
材料 Material		PA66	
绝缘材料 Insulation Material	PA66		
阻燃等级 Flame retardant rating	UL94V-0		
导体材料 Conductor Material	Copper alloy		
导体表面镀层 Plating of conductor surface	Sn plated		
一般参数 Other Data		PA66	
间距/极数 Pitch/Poles [mm]/[P]	3.5,3.81/ 2*2~2*24		
剥线长度 Stripping Length [mm]	/		
螺丝/扭矩 Screw/Torque(Max) [N.m]	/		
工作温度 Operating temperature [°C]	-40~+105		
焊锡温度 Soldering temperature	260°C /5S		
引针尺寸 Pin dimensions [mm]	0.8*0.8		
PCB板孔径 PCB Hole Diameter [mm]	Ø1.4		



Pitch:3.5/3.81mm

WJ15EDGRT-3.5/3.81

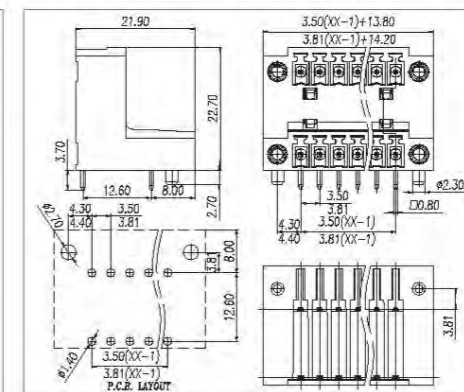
UL/CUL 技术参数 UL/CUL Technical Data			
等级 Use Group	B C D		
额定电压 Rated Voltage [V]	300	-	300
额定电流 Rated Current [A]	8	-	8
接线范围 Wire Range	单芯线 Solid [AWG] / 多芯线 Stranded [AWG]		
耐电压 Dielectric Voltage-Withstand	1.6KV		
IEC 技术参数 IEC Technical Data			
过电压类别 Overvoltage Category	III	III	II
污染等级 Contamination Class	3	2	2
额定电压 Rated Voltage [V]	160	160	320
额定电流 Rated Current [A]	8	8	8
额定冲击电压 Impulse withstand voltage [KV]	2.5	2.5	2.5
导线截面积 Conductor cross section	硬质导线 Solid [mm²] / 柔性导线 Flexible [mm²]		
材料 Material		PA66	
绝缘材料 Insulation Material	PA66		
阻燃等级 Flame retardant rating	UL94V-0		
导体材料 Conductor Material	Copper alloy		
导体表面镀层 Plating of conductor surface	Sn plated		
一般参数 Other Data		PA66	
间距/极数 Pitch/Poles [mm]/[P]	3.5,3.81/ 2*2~2*24		
剥线长度 Stripping Length [mm]	/		
螺丝/扭矩 Screw/Torque(Max) [N.m]	/		
工作温度 Operating temperature [°C]	-40~+105		
焊锡温度 Soldering temperature	260°C /5S		
引针尺寸 Pin dimensions [mm]	0.8*0.8		
PCB板孔径 PCB Hole Diameter [mm]	Ø1.4		



Pitch:3.5/3.81mm

WJ15EDGRTM-3.5/3.81

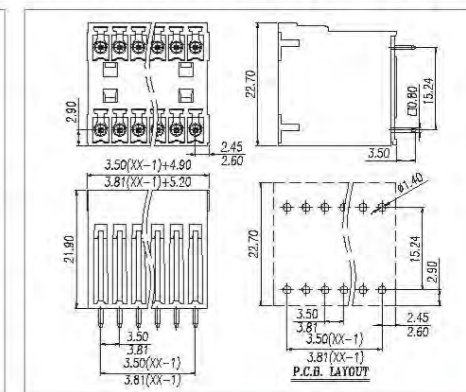
UL/CUL 技术参数 UL/CUL Technical Data			
等级 Use Group	B C D		
额定电压 Rated Voltage [V]	300	-	300
额定电流 Rated Current [A]	8	-	8
接线范围 Wire Range	单芯线 Solid [AWG] / 多芯线 Stranded [AWG]		
耐电压 Dielectric Voltage-Withstand	1.6KV		
IEC 技术参数 IEC Technical Data			
过电压类别 Overvoltage Category	III	III	II
污染等级 Contamination Class	3	2	2
额定电压 Rated Voltage [V]	160	160	320
额定电流 Rated Current [A]	8	8	8
额定冲击电压 Impulse withstand voltage [KV]	2.5	2.5	2.5
导线截面积 Conductor cross section	硬质导线 Solid [mm²] / 柔性导线 Flexible [mm²]		
材料 Material		PA66	
绝缘材料 Insulation Material	PA66		
阻燃等级 Flame retardant rating	UL94V-0		
导体材料 Conductor Material	Copper alloy		
导体表面镀层 Plating of conductor surface	Sn plated		
一般参数 Other Data		PA66	
间距/极数 Pitch/Poles [mm]/[P]	3.5,3.81/ 2*2~2*24		
剥线长度 Stripping Length [mm]	/		
螺丝/扭矩 Screw/Torque(Max) [N.m]	/		
工作温度 Operating temperature [°C]	-40~+105		
焊锡温度 Soldering temperature	260°C /5S		
引针尺寸 Pin dimensions [mm]	0.8*0.8		
PCB板孔径 PCB Hole Diameter [mm]	Ø1.4		



Pitch:3.5/3.81mm

WJ15EDGVH-3.5/3.81

UL/CUL 技术参数 UL/CUL Technical Data			
等级 Use Group	B C D		
额定电压 Rated Voltage [V]	300	-	300
额定电流 Rated Current [A]	8	-	8
接线范围 Wire Range	单芯线 Solid [AWG] / 多芯线 Stranded [AWG]		
耐电压 Dielectric Voltage-Withstand	1.6KV		
IEC 技术参数 IEC Technical Data			
过电压类别 Overvoltage Category	III	III	II
污染等级 Contamination Class	3	2	2
额定电压 Rated Voltage [V]	160	160	320
额定电流 Rated Current [A]	7	7	7
额定冲击电压 Impulse withstand voltage [KV]	2.5	2.5	2.5
导线截面积 Conductor cross section	硬质导线 Solid [mm²] / 柔性导线 Flexible [mm²]		
材料 Material		PA66	
绝缘材料 Insulation Material	PA66		
阻燃等级 Flame retardant rating	UL94V-0		
导体材料 Conductor Material	Copper alloy		
导体表面镀层 Plating of conductor surface	Sn plated		
一般参数 Other Data		PA66	
间距/极数 Pitch/Poles [mm]/[P]	3.5,3.81/ 2*2~2*24		
剥线长度 Stripping Length [mm]	/		
螺丝/扭矩 Screw/Torque(Max) [N.m]	/		
工作温度 Operating temperature [°C]	-40~+105		
焊锡温度 Soldering temperature	260°C /5S		
引针尺寸 Pin dimensions [mm]	0.8*0.8		
PCB板孔径 PCB Hole Diameter [mm]	Ø1.4		





Pitch:3.5/3.81mm

WJ15EDGVHM-3.5/3.81



Pitch:3.5/3.81mm

WJ15EDGRH-3.5/3.81



Pitch:3.5/3.81mm

WJ15EDGRHM-3.5/3.81



Pitch:3.5mm

WJ15EDGVH3C-3.5



Pitch:3.5mm

WJ15EDGVH3N-3.5



Pitch:3.5mm

WJ15EDGVH3M-3.5

UL/CUL 技术参数 UL/CUL Technical Data				
等级	Use Group	B	C	D
额定电压	Rated Voltage [V]	300	-	300
额定电流	Rated Current [A]	8	-	8
接线范围 Wire Range	单芯线 Solid [AWG]	/		
	多芯线 Stranded [AWG]	/		
耐电压	Dielectric Voltage-Withstand	1.6KV		
IEC 技术参数 IEC Technical Data				
过电压类别	Overvoltage Category	III	III	III
污染等级	Contamination Class	3	2	2
额定电压	Rated Voltage [V]	160	160	320
额定电流	Rated Current [A]	7	7	7
额定冲击电压	Impulse withstand voltage [KV]	2.5	2.5	2.5
导线截面积 Conductor cross section	硬质导线 Solid [mm ²]	/		
	柔性导线 Flexible [mm ²]	/		
材料	Material	PA66		
阻燃等级	Flame retardant rating	UL94V-0		
导体材料	Conductor Material	Copper alloy		
导体表面镀层	Plating of conductor surface	Sn plated		
一般参数 Other Data				
间距/极数	Pitch/Poles [mm]/[P]	3.5,3.81/ 2*2-2*24		
剥线长度	Stripping Length [mm]	/		
螺丝/扭矩	Screw/Torque(Max)[N.m]	/		
工作温度	Operating temperature [°C]	-40~+105		
焊锡温度	Soldering temperature	260°C /5S		
引针尺寸	Pin dimensions [mm]	0.8*0.8		
PCB板孔径	PCB Hole Diameter [mm]	Ø1.4		

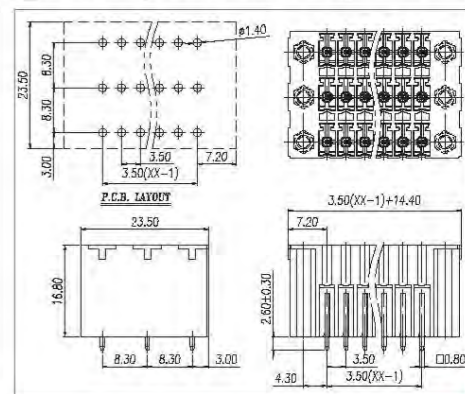
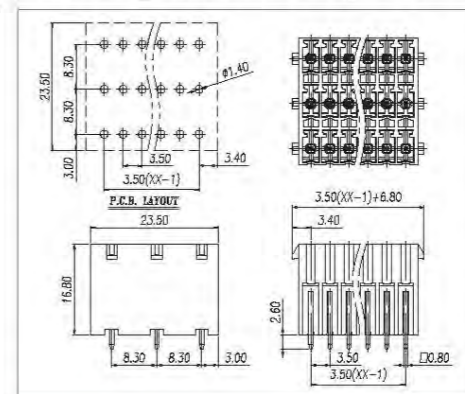
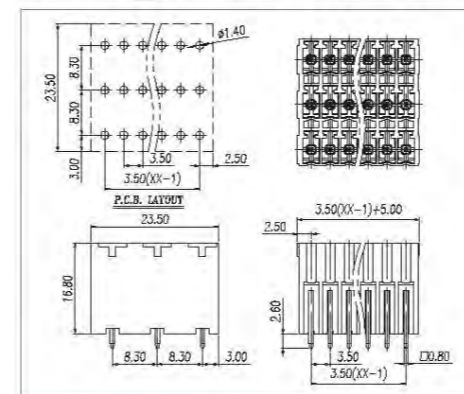
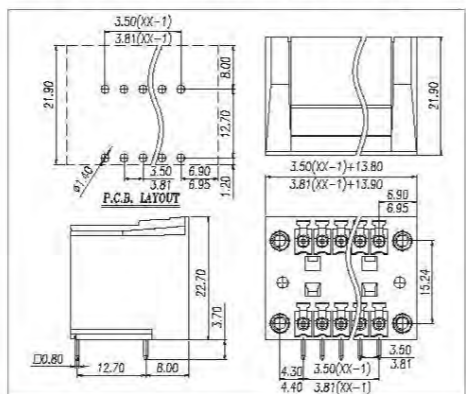
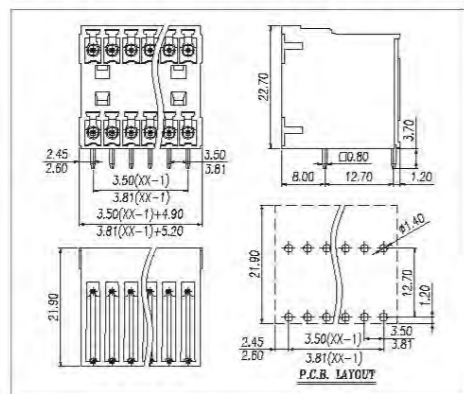
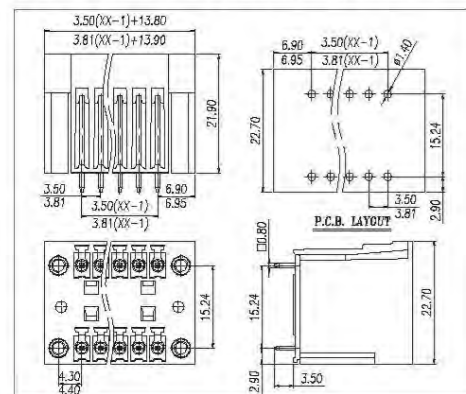
UL/CUL 技术参数 UL/CUL Technical Data				
等级	Use Group	B	C	D
额定电压	Rated Voltage [V]	300	-	300
额定电流	Rated Current [A]	8	-	8
接线范围 Wire Range	单芯线 Solid [AWG]	/		
	多芯线 Stranded [AWG]	/		
耐电压	Dielectric Voltage-Withstand	1.6KV		
IEC 技术参数 IEC Technical Data				
过电压类别	Overvoltage Category	III	III	III
污染等级	Contamination Class	3	2	2
额定电压	Rated Voltage [V]	160	160	320
额定电流	Rated Current [A]	7	7	7
额定冲击电压	Impulse withstand voltage [KV]	2.5	2.5	2.5
导线截面积 Conductor cross section	硬质导线 Solid [mm ²]	/		
	柔性导线 Flexible [mm ²]	/		
材料	Material	PA66		
阻燃等级	Flame retardant rating	UL94V-0		
导体材料	Conductor Material	Copper alloy		
导体表面镀层	Plating of conductor surface	Sn plated		
一般参数 Other Data				
间距/极数	Pitch/Poles [mm]/[P]	3.5,3.81/ 2*2-2*24		
剥线长度	Stripping Length [mm]	/		
螺丝/扭矩	Screw/Torque(Max)[N.m]	/		
工作温度	Operating temperature [°C]	-40~+105		
焊锡温度	Soldering temperature	260°C /5S		
引针尺寸	Pin dimensions [mm]	0.8*0.8		
PCB板孔径	PCB Hole Diameter [mm]	Ø1.4		

UL/CUL 技术参数 UL/CUL Technical Data				
等级	Use Group	B	C	D
额定电压	Rated Voltage [V]	300	-	300
额定电流	Rated Current [A]	8	-	8
接线范围 Wire Range	单芯线 Solid [AWG]	/		
	多芯线 Stranded [AWG]	/		
耐电压	Dielectric Voltage-Withstand	1.6KV		
IEC 技术参数 IEC Technical Data				
过电压类别	Overvoltage Category	III	III	III
污染等级	Contamination Class	3	2	2
额定电压	Rated Voltage [V]	160	160	320
额定电流	Rated Current [A]	7	7	7
额定冲击电压	Impulse withstand voltage [KV]	2.5	2.5	2.5
导线截面积 Conductor cross section	硬质导线 Solid [mm ²]	/		
	柔性导线 Flexible [mm ²]	/		
材料	Material	PA66		
阻燃等级	Flame retardant rating	UL94V-0		
导体材料	Conductor Material	Copper alloy		
导体表面镀层	Plating of conductor surface	Sn plated		
一般参数 Other Data				
间距/极数	Pitch/Poles [mm]/[P]	3.5,3.81/ 2*2-2*24		
剥线长度	Stripping Length [mm]	/		
螺丝/扭矩	Screw/Torque(Max)[N.m]	/		
工作温度	Operating temperature [°C]	-40~+105		
焊锡温度	Soldering temperature	260°C /5S		
引针尺寸	Pin dimensions [mm]	0.8*0.8		
PCB板孔径	PCB Hole Diameter [mm]	Ø1.4		

UL/CUL 技术参数 UL/CUL Technical Data				
等级	Use Group	B	C	D
额定电压	Rated Voltage [V]	300	-	-
额定电流	Rated Current [A]	8	-	-
接线范围 Wire Range	单芯线 Solid [AWG]	/		
	多芯线 Stranded [AWG]	/		
耐电压	Dielectric Voltage-Withstand	1.6KV		
IEC 技术参数 IEC Technical Data				
过电压类别	Surge voltage category	III	III	III
污染等级	Contamination Class	3	2	2
额定电压	Rated Voltage [V]	150	150	250
额定电流	Rated Current [A]	8	8	8
额定冲击电压	Impulse withstand voltage [KV]	2.5	2.5	2.5
导线截面积 Conductor cross section	硬质导线 Solid [mm ²]	/		
	柔性导线 Flexible [mm ²]	/		
材料	Material	PBT		
阻燃等级	Inflammability Class	UL94V-0		
导体材料	Conductor Material	Copper alloy		
导体表面镀层	Conductor Plating	Sn plated		
一般参数 Other Data				
间距/极数	Pitch/Poles [mm]/[P]	3.5/3*2-3*24		
剥线长度	Stripping Length [mm]	/		
螺丝/扭矩	Screw/Torque(Max)[N.m]	/		
工作温度	Operating temperature [°C]	-30~+120		
焊锡温度	Soldering temperature	260°C/5S		
引针尺寸	Pin dimensions [mm]	0.8*0.8		
PCB板孔径	PCB Hole Diameter [mm]	Ø1.4		

UL/CUL 技术参数 UL/CUL Technical Data				
等级	Use Group	B	C	D
额定电压	Rated Voltage [V]	300	-	-
额定电流	Rated Current [A]	8	-	-
接线范围 Wire Range	单芯线 Solid [AWG]	/		
	多芯线 Stranded [AWG]	/		
耐电压	Dielectric Voltage-Withstand	1.6KV		
IEC 技术参数 IEC Technical Data				
过电压类别	Surge voltage category	III	III	III
污染等级	Contamination Class	3	2	2
额定电压	Rated Voltage [V]	150	150	250
额定电流	Rated Current [A]	8	8	8
额定冲击电压	Impulse withstand voltage [KV]	2.5	2.5	2.5
导线截面积 Conductor cross section	硬质导线 Solid [mm ²]	/		
	柔性导线 Flexible [mm ²]	/		
材料	Material	PBT		
阻燃等级	Inflammability Class	UL94V-0		
导体材料	Conductor Material	Copper alloy		
导体表面镀层	Conductor Plating	Sn plated		
一般参数 Other Data				
间距/极数	Pitch/Poles [mm]/[P]	3.5/3*2-3*24		
剥线长度	Stripping Length [mm]	/		
螺丝/扭矩	Screw/Torque(Max)[N.m]	/		
工作温度	Operating temperature [°C]	-30~+120		
焊锡温度	Soldering temperature	260°C/5S		
引针尺寸	Pin dimensions [mm]	0.8*0.8		
PCB板孔径	PCB Hole Diameter [mm]	Ø1.4		

UL/CUL 技术参数 UL/CUL Technical Data				
等级	Use Group	B	C	D
额定电压	Rated Voltage [V]	300	-	-
额定电流	Rated Current [A]	8	-	-
接线范围 Wire Range	单芯线 Solid [AWG]	/		
	多芯线 Stranded [AWG]	/		
耐电压	Dielectric Voltage-Withstand	1.6KV		
IEC 技术参数 IEC Technical Data				
过电压类别	Surge voltage category	III	III	III
污染等级	Contamination Class	3	2	2
额定电压	Rated Voltage [V]	150	150	250
额定电流	Rated Current [A]	8	8	8
额定冲击电压	Impulse withstand voltage [KV]	2.5	2.5	2.5
导线截面积 Conductor cross section	硬质导线 Solid [mm ²]	/		
	柔性导线 Flexible [mm ²]	/		
材料	Material	PBT		
阻燃等级	Inflammability Class	UL94V-0		
导体材料	Conductor Material	Copper alloy		
导体表面镀层	Conductor Plating	Sn plated		
一般参数 Other Data				
间距/极数	Pitch/Poles [mm]/[P]	3.5/3*2-3*24		
剥线长度	Stripping Length [mm]	/		
螺丝/扭矩	Screw/Torque(Max)[N.m]	/		
工作温度	Operating temperature [°C]	-30~+120		
焊锡温度	Soldering temperature	260°C/5S		
引针尺寸	Pin dimensions [mm]	0.8*0.8		
PCB板孔径	PCB Hole Diameter [mm]	Ø1.4		





Pitch:3.5mm

WJ15EDGRH3C-3.5

UL/CUL 技术参数			
UL/CUL Technical Data			
等级 Use Group	B C D		
额定电压 Rated Voltage [V]	300 - -		
额定电流 Rated Current [A]	8 - -		
接线范围 Wire Range	单芯线 Solid [AWG]	/	
	多芯线 Stranded [AWG]	/	
耐电压 Dielectric Voltage-Withstand	1.6KV		
IEC 技术参数			
IEC Technical Data			
过电压类别 Surge voltage category	III IIII II		
污染等级 Contamination Class	3 2 2		
额定电压 Rated Voltage [V]	150 150 250		
额定电流 Rated Current [A]	8 8 8		
额定冲击电压 Impulse withstand voltage [KV]	2.5 2.5 2.5		
导线截面积 Conductor cross section	硬质导线 Solid [mm ²]	/	
	柔性导线 Flexible [mm ²]	/	
材料 Material			
绝缘材料 Insulation Material	PBT		
阻燃等级 Inflammability Class	UL94V-0		
导体材料 Conductor Material	Copper alloy		
导体表面镀层 Conductor Plating	Sn plated		
一般参数 Other Data			
间距/极数 Pitch/Poles [mm]/[P]	3.5/3*2-3*24		
剥线长度 Stripping Length [mm]	/		
螺丝/扭矩 Screw/Torque(Max) [N.m]	/		
工作温度 Operating temperature [°C]	-30~+120		
锡焊温度 Soldering temperature	260°C/5S		
引脚尺寸 Pin dimensions [mm]	0.8*0.8		
PCB板孔径 PCB Hole Diameter [mm]	Ø1.4		



Pitch:3.5mm

WJ15EDGRH3N-3.5

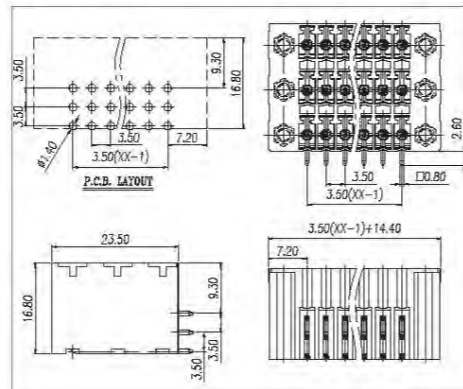
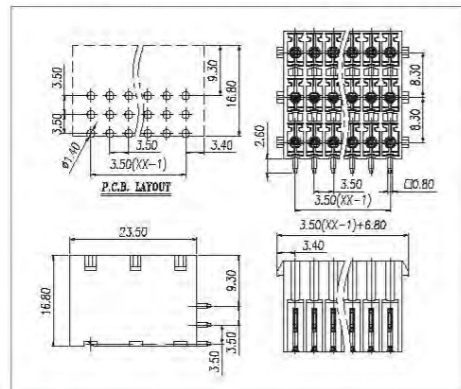
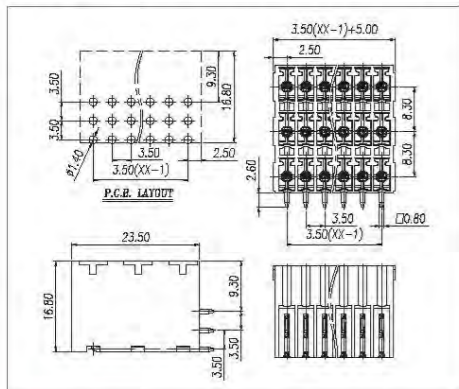
UL/CUL 技术参数			
UL/CUL Technical Data			
等级 Use Group	B C D		
额定电压 Rated Voltage [V]	300 - -		
额定电流 Rated Current [A]	8 - -		
接线范围 Wire Range	单芯线 Solid [AWG]	/	
	多芯线 Stranded [AWG]	/	
耐电压 Dielectric Voltage-Withstand	1.6KV		
IEC 技术参数			
IEC Technical Data			
过电压类别 Surge voltage category	III IIII II		
污染等级 Contamination Class	3 2 2		
额定电压 Rated Voltage [V]	150 150 250		
额定电流 Rated Current [A]	8 8 8		
额定冲击电压 Impulse withstand voltage [KV]	2.5 2.5 2.5		
导线截面积 Conductor cross section	硬质导线 Solid [mm ²]	/	
	柔性导线 Flexible [mm ²]	/	
材料 Material			
绝缘材料 Insulation Material	PBT		
阻燃等级 Inflammability Class	UL94V-0		
导体材料 Conductor Material	Copper alloy		
导体表面镀层 Conductor Plating	Sn plated		
一般参数 Other Data			
间距/极数 Pitch/Poles [mm]/[P]	3.5/3*2-3*24		
剥线长度 Stripping Length [mm]	/		
螺丝/扭矩 Screw/Torque(Max) [N.m]	/		
工作温度 Operating temperature [°C]	-30~+120		
锡焊温度 Soldering temperature	260°C/5S		
引脚尺寸 Pin dimensions [mm]	0.8*0.8		
PCB板孔径 PCB Hole Diameter [mm]	Ø1.4		



Pitch:3.5mm

WJ15EDGRH3M-3.5

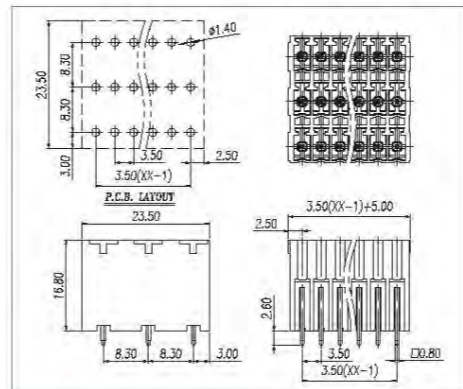
UL/CUL 技术参数			
UL/CUL Technical Data			
等级 Use Group	B C D		
额定电压 Rated Voltage [V]	300 - -		
额定电流 Rated Current [A]	8 - -		
接线范围 Wire Range	单芯线 Solid [AWG]	/	
	多芯线 Stranded [AWG]	/	
耐电压 Dielectric Voltage-Withstand	1.6KV		
IEC 技术参数			
IEC Technical Data			
过电压类别 Surge voltage category	III IIII II		
污染等级 Contamination Class	3 2 2		
额定电压 Rated Voltage [V]	150 150 250		
额定电流 Rated Current [A]	8 8 8		
额定冲击电压 Impulse withstand voltage [KV]	2.5 2.5 2.5		
导线截面积 Conductor cross section	硬质导线 Solid [mm ²]	/	
	柔性导线 Flexible [mm ²]	/	
材料 Material			
绝缘材料 Insulation Material	PBT		
阻燃等级 Inflammability Class	UL94V-0		
导体材料 Conductor Material	Copper alloy		
导体表面镀层 Conductor Plating	Sn plated		
一般参数 Other Data			
间距/极数 Pitch/Poles [mm]/[P]	3.5/3*2-3*24		
剥线长度 Stripping Length [mm]	/		
螺丝/扭矩 Screw/Torque(Max) [N.m]	/		
工作温度 Operating temperature [°C]	-30~+120		
锡焊温度 Soldering temperature	260°C/5S		
引脚尺寸 Pin dimensions [mm]	0.8*0.8		
PCB板孔径 PCB Hole Diameter [mm]	Ø1.4		



Pitch:3.5mm

WJ15EDGVH3C-THT-3.5

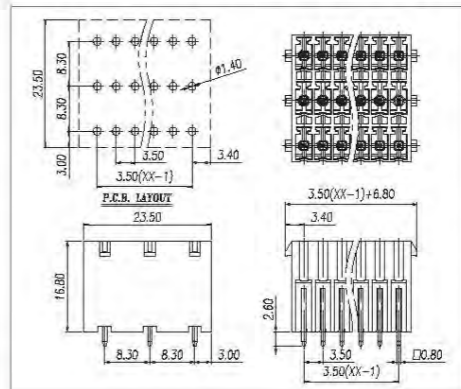
UL/CUL 技术参数			
UL/CUL Technical Data			
等级 Use Group	B C D		
额定电压 Rated Voltage [V]	300 - -		
额定电流 Rated Current [A]	8 - -		
接线范围 Wire Range	单芯线 Solid [AWG]	/	
	多芯线 Stranded [AWG]	/	
耐电压 Dielectric Voltage-Withstand	1.6KV		
IEC 技术参数			
IEC Technical Data			
过电压类别 Surge voltage category	III IIII II		
污染等级 Contamination Class	3 2 2		
额定电压 Rated Voltage [V]	150 150 250		
额定电流 Rated Current [A]	8 8 8		
额定冲击电压 Impulse withstand voltage [KV]	2.5 2.5 2.5		
导线截面积 Conductor cross section	硬质导线 Solid [mm ²]	/	
	柔性导线 Flexible [mm ²]	/	
材料 Material			
绝缘材料 Insulation Material	LCP		
阻燃等级 Inflammability Class	UL94V-0		
导体材料 Conductor Material	Copper alloy		
导体表面镀层 Conductor Plating	Sn plated		
一般参数 Other Data			
间距/极数 Pitch/Poles [mm]/[P]	3.5/3*2-3*24		
剥线长度 Stripping Length [mm]	/		
螺丝/扭矩 Screw/Torque(Max) [N.m]	/		
工作温度 Operating temperature [°C]	-40~+130		
锡焊温度 Soldering temperature	285°C/10S		
引脚尺寸 Pin dimensions [mm]	0.8*0.8		
PCB板孔径 PCB Hole Diameter [mm]	Ø1.4		



Pitch:3.5mm

WJ15EDGVH3N-THT-3.5

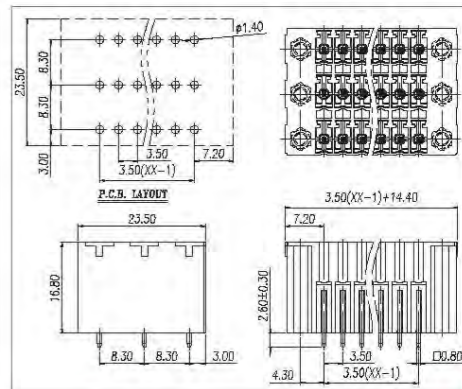
UL/CUL 技术参数			
UL/CUL Technical Data			
等级 Use Group	B C D		
额定电压 Rated Voltage [V]	300 - -		
额定电流 Rated Current [A]	8 - -		
接线范围 Wire Range	单芯线 Solid [AWG]	/	
	多芯线 Stranded [AWG]	/	
耐电压 Dielectric Voltage-Withstand	1.6KV		
IEC 技术参数			
IEC Technical Data			
过电压类别 Surge voltage category	III IIII II		
污染等级 Contamination Class	3 2 2		
额定电压 Rated Voltage [V]	150 150 250		
额定电流 Rated Current [A]	8 8 8		
额定冲击电压 Impulse withstand voltage [KV]	2.5 2.5 2.5		
导线截面积 Conductor cross section	硬质导线 Solid [mm ²]	/	
	柔性导线 Flexible [mm ²]	/	
材料 Material			
绝缘材料 Insulation Material	LCP		
阻燃等级 Inflammability Class	UL94V-0		
导体材料 Conductor Material	Copper alloy		
导体表面镀层 Conductor Plating	Sn plated		
一般参数 Other Data			
间距/极数 Pitch/Poles [mm]/[P]	3.5/3*2-3*24		
剥线长度 Stripping Length [mm]	/		
螺丝/扭矩 Screw/Torque(Max) [N.m]	/		
工作温度 Operating temperature [°C]	-40~+130		
锡焊温度 Soldering temperature	285°C/10S		
引脚尺寸 Pin dimensions [mm]	0.8*0.8		
PCB板孔径 PCB Hole Diameter [mm]	Ø1.4		



Pitch:3.5mm

WJ15EDGVH3M-THT-3.5

UL/CUL 技术参数			
UL/CUL Technical Data			
等级 Use Group	B C D		
额定电压 Rated Voltage [V]	300 - -		
额定电流 Rated Current [A]	8 - -		
接线范围 Wire Range	单芯线 Solid [AWG]	/	
	多芯线 Stranded [AWG]	/	
耐电压 Dielectric Voltage-Withstand	1.6KV		
IEC 技术参数			
IEC Technical Data			
过电压类别 Surge voltage category	III IIII II		
污染等级 Contamination Class	3 2 2		
额定电压 Rated Voltage [V]	150 150 250		
额定电流 Rated Current [A]	8 8 8		
额定冲击电压 Impulse withstand voltage [KV]	2.5 2.5 2.5		
导线截面积 Conductor cross section	硬质导线 Solid [mm ²]	/	
	柔性导线 Flexible [mm ²]	/	
材料 Material			
绝缘材料 Insulation Material	LCP		
阻燃等级 Inflammability Class	UL94V-0		
导体材料 Conductor Material	Copper alloy		
导体表面镀层 Conductor Plating	Sn plated		
一般参数 Other Data			
间距/极数 Pitch/Poles [mm]/[P]	3.5/3*2-3*24		
剥线长度 Stripping Length [mm]	/		
螺丝/扭矩 Screw/Torque(Max) [N.m]	/		
工作温度 Operating temperature [°C]	-40~+130		
锡焊温度 Soldering temperature	285°C/10S		
引脚尺寸 Pin dimensions [mm]	0.8*0.8		
PCB板孔径 PCB Hole Diameter [mm]	Ø1.4		





Pitch:3.5mm
WJ15EDGRH3C-THT-3.5

Pitch:3.5mm
WJ15EDGRH3N-THT-3.5

Pitch:3.5mm
WJ15EDGRH3M-THT-3.5

Pitch:5.0/5.08mm
WJ2EDGK-5.0/5.08

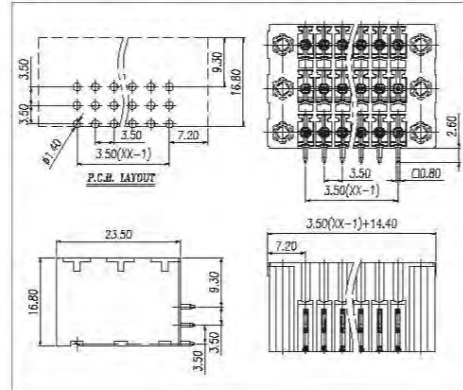
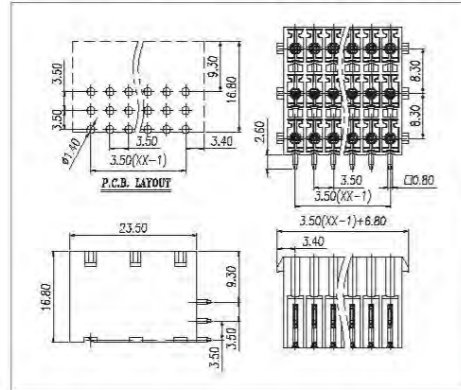
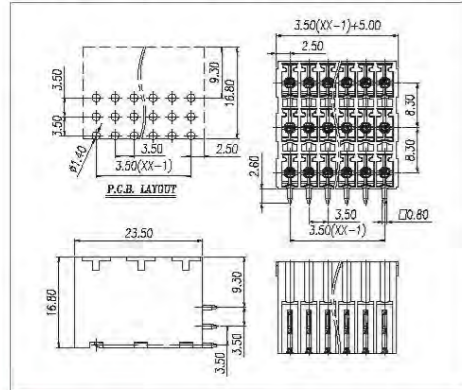
Pitch:7.5/7.62mm
WJ2EDGK-7.5/7.62

Pitch:10.0/10.16mm
WJ2EDGK-10.0/10.16

UL/CUL 技术参数 UL/CUL Technical Data				
等级 Use Group		B	C	D
额定电压 Rated Voltage [V]		300	-	-
额定电流 Rated Current [A]		8	-	-
接线范围 Wire Range	单芯线 Solid [AWG]	/		
	多芯线 Stranded [AWG]	/		
耐电压 Dielectric Voltage-Withstand		1.6KV		
IEC 技术参数 IEC Technical Data				
过电压类别 Overvoltage Category		II	III	III
污染等级 Contamination Class		3	2	2
额定电压 Rated Voltage [V]		150	150	250
额定电流 Rated Current [A]		8	8	8
额定冲击电压 Impulse withstand voltage [KV]		2.5	2.5	2.5
导线截面积 Conductor cross section	硬质导线 Solid [mm ²]	/		
	柔性导线 Flexible [mm ²]	/		
材料 Material				
绝缘材料 Insulation Material		LCP		
阻燃等级 Flame retardant rating		UL94V-0		
导体材料 Conductor Material		Copper alloy		
导体表面镀层 Plating of conductor surface		Sn plated		
一般参数 Other Data				
间距/极数 Pitch/Poles [mm]/[P]		3.5/3*2-3*24		
剥线长度 Stripping Length [mm]		/		
螺丝/扭矩 Screw/Torque(Max) [N.m]		/		
工作温度 Operating temperature [°C]		-40~+130		
锡焊温度 Soldering temperature		285°C/10S		
引脚尺寸 Pin dimensions [mm]		0.8*0.8		
PCB板孔径 PCB Hole Diameter [mm]		Ø1.4		

UL/CUL 技术参数 UL/CUL Technical Data				
等级 Use Group		B	C	D
额定电压 Rated Voltage [V]		300	-	-
额定电流 Rated Current [A]		8	-	-
接线范围 Wire Range	单芯线 Solid [AWG]	/		
	多芯线 Stranded [AWG]	/		
耐电压 Dielectric Voltage-Withstand		1.6KV		
IEC 技术参数 IEC Technical Data				
过电压类别 Overvoltage Category		III	III	III
污染等级 Contamination Class		3	2	2
额定电压 Rated Voltage [V]		150	150	250
额定电流 Rated Current [A]		8	8	8
额定冲击电压 Impulse withstand voltage [KV]		2.5	2.5	2.5
导线截面积 Conductor cross section	硬质导线 Solid [mm ²]	/		
	柔性导线 Flexible [mm ²]	/		
材料 Material				
绝缘材料 Insulation Material		LCP		
阻燃等级 Flame retardant rating		UL94V-0		
导体材料 Conductor Material		Copper alloy		
导体表面镀层 Plating of conductor surface		Sn plated		
一般参数 Other Data				
间距/极数 Pitch/Poles [mm]/[P]		3.5/3*2-3*24		
剥线长度 Stripping Length [mm]		/		
螺丝/扭矩 Screw/Torque(Max) [N.m]		/		
工作温度 Operating temperature [°C]		-40~+130		
锡焊温度 Soldering temperature		285°C/10S		
引脚尺寸 Pin dimensions [mm]		0.8*0.8		
PCB板孔径 PCB Hole Diameter [mm]		Ø1.4		

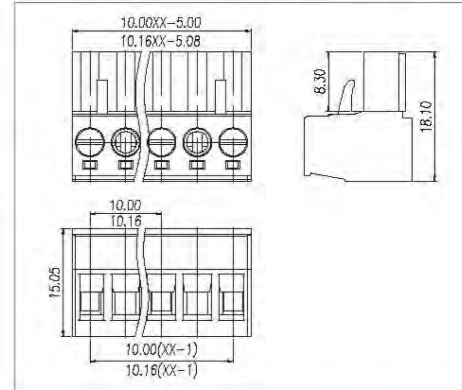
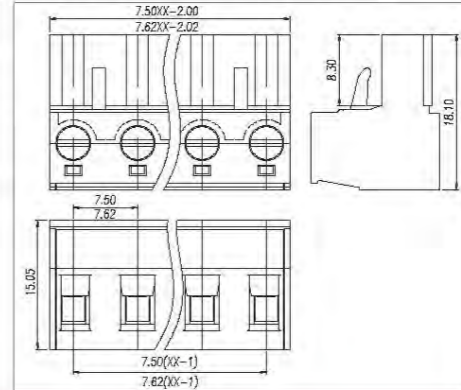
UL/CUL 技术参数 UL/CUL Technical Data				
等级 Use Group		B	C	D
额定电压 Rated Voltage [V]		300	-	-
额定电流 Rated Current [A]		8	-	-
接线范围 Wire Range	单芯线 Solid [AWG]	/		
	多芯线 Stranded [AWG]	/		
耐电压 Dielectric Voltage-Withstand		1.6KV		
IEC 技术参数 IEC Technical Data				
过电压类别 Overvoltage Category		III	III	III
污染等级 Contamination Class		3	2	2
额定电压 Rated Voltage [V]		150	150	250
额定电流 Rated Current [A]		8	8	8
额定冲击电压 Impulse withstand voltage [KV]		2.5	2.5	2.5
导线截面积 Conductor cross section	硬质导线 Solid [mm ²]	/		
	柔性导线 Flexible [mm ²]	/		
材料 Material				
绝缘材料 Insulation Material		LCP		
阻燃等级 Flame retardant rating		UL94V-0		
导体材料 Conductor Material		Copper alloy		
导体表面镀层 Plating of conductor surface		Sn plated		
一般参数 Other Data				
间距/极数 Pitch/Poles [mm]/[P]		3.5/3*2-3*24		
剥线长度 Stripping Length [mm]		/		
螺丝/扭矩 Screw/Torque(Max) [N.m]		/		
工作温度 Operating temperature [°C]		-40~+130		
锡焊温度 Soldering temperature		285°C/10S		
引脚尺寸 Pin dimensions [mm]		0.8*0.8		
PCB板孔径 PCB Hole Diameter [mm]		Ø1.4		



UL/CUL 技术参数 UL/CUL Technical Data				
等级 Use Group		B	C	D
额定电压 Rated Voltage [V]		300	-	300
额定电流 Rated Current [A]		15	-	10
接线范围 Wire Range	单芯线 Solid [AWG]	28~12		
	多芯线 Stranded [AWG]	28~12		
耐电压 Dielectric Voltage-Withstand		1.6KV		
IEC 技术参数 IEC Technical Data				
过电压类别 Overvoltage Category		III	III	III
污染等级 Contamination Class		3	2	2
额定电压 Rated Voltage [V]		250	320	630
额定电流 Rated Current [A]		15	15	15
额定冲击电压 Impulse withstand voltage [KV]		4	4	4
导线截面积 Conductor cross section	硬质导线 Solid [mm ²]	0.2~2.5		
	柔性导线 Flexible [mm ²]	0.2~2.5		
材料 Material				
绝缘材料 Insulation Material		PA66		
阻燃等级 Flame retardant rating		UL94V-0		
导体材料 Conductor Material		Copper alloy		
导体表面镀层 Plating of conductor surface		Sn plated		
一般参数 Other Data				
间距/极数 Pitch/Poles [mm]/[P]		5.0,5.08/2-24		
剥线长度 Stripping Length [mm]		7-8		
螺丝/扭矩 Screw/Torque(Max) [N.m]		M3/0.5		
工作温度 Operating temperature [°C]		-40~+105		
锡焊温度 Soldering temperature		/		
引脚尺寸 Pin dimensions [mm]		/		
PCB板孔径 PCB Hole Diameter [mm]		/		

UL/CUL 技术参数 UL/CUL Technical Data				
等级 Use Group		B	C	D
额定电压 Rated Voltage [V]		300	-	300
额定电流 Rated Current [A]		15	-	10
接线范围 Wire Range	单芯线 Solid [AWG]	28~12		
	多芯线 Stranded [AWG]	28~12		
耐电压 Dielectric Voltage-Withstand		1.6KV		
IEC 技术参数 IEC Technical Data				
过电压类别 Overvoltage Category		III	III	III
污染等级 Contamination Class		3	2	2
额定电压 Rated Voltage [V]		400	630	1000
额定电流 Rated Current [A]		15	15	15
额定冲击电压 Impulse withstand voltage [KV]		6	6	6
导线截面积 Conductor cross section	硬质导线 Solid [mm ²]	0.2~2.5		
	柔性导线 Flexible [mm ²]	0.2~2.5		
材料 Material				
绝缘材料 Insulation Material		PA66		
阻燃等级 Flame retardant rating		UL94V-0		
导体材料 Conductor Material		Copper alloy		
导体表面镀层 Plating of conductor surface		Sn plated		
一般参数 Other Data				
间距/极数 Pitch/Poles [mm]/[P]		7.5,7.62/2-24		
剥线长度 Stripping Length [mm]		7~8		
螺丝/扭矩 Screw/Torque(Max) [N.m]		M3/0.5		
工作温度 Operating temperature [°C]		-40~+105		
锡焊温度 Soldering temperature		/		
引脚尺寸 Pin dimensions [mm]		/		
PCB板孔径 PCB Hole Diameter [mm]		/		

UL/CUL 技术参数 UL/CUL Technical Data				
等级 Use Group		B	C	D
额定电压 Rated Voltage [V]		600	-	600
额定电流 Rated Current [A]		15	-	5
接线范围 Wire Range	单芯线 Solid [AWG]	28~12		
	多芯线 Stranded [AWG]	28~12		
耐电压 Dielectric Voltage-Withstand		2.2KV		
IEC 技术参数 IEC Technical Data				
过电压类别 Overvoltage Category		III	III	III
污染等级 Contamination Class		3	2	2
额定电压 Rated Voltage [V]		630	1000	1000
额定电流 Rated Current [A]		15	15	15
额定冲击电压 Impulse withstand voltage [KV]		8	8	8
导线截面积 Conductor cross section	硬质导线 Solid [mm ²]	0.2~2.5		
	柔性导线 Flexible [mm ²]	0.2~2.5		
材料 Material				
绝缘材料 Insulation Material		PA66		
阻燃等级 Flame retardant rating		UL94V-0		
导体材料 Conductor Material		Copper alloy		
导体表面镀层 Plating of conductor surface		Sn plated		
一般参数 Other Data				
间距/极数 Pitch/Poles [mm]/[P]		10,10.16/2-12		
剥线长度 Stripping Length [mm]		7-8		
螺丝/扭矩 Screw/Torque(Max) [N.m]		M3/0.5		
工作温度 Operating temperature [°C]		-40~+105		
锡焊温度 Soldering temperature		/		
引脚尺寸 Pin dimensions [mm]		/		
PCB板孔径 PCB Hole Diameter [mm]		/		





Pitch:5.0/5.08mm
WJ2EDGKM-5.0/5.08



Pitch:7.5/7.62mm
WJ2EDGKM-7.5/7.62



Pitch:10.0/10.16mm
WJ2EDGKM-10.0/10.16



Pitch:5.08mm
WJ2EDGKH-5.08

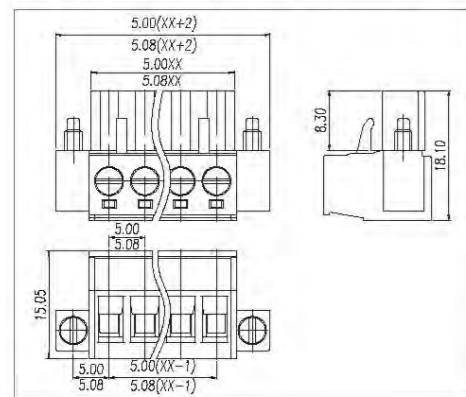


Pitch:5.08mm
WJ2EDGKHM-5.08

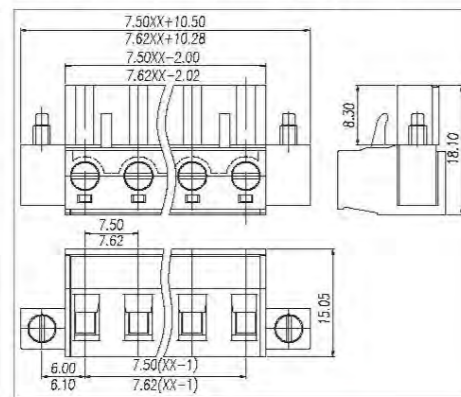


Pitch:5.0/5.08mm
WJ2EDGKA-5.0/5.08

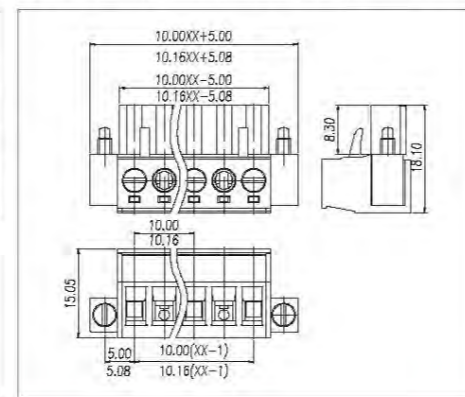
UL/CUL 技术参数 UL/CUL Technical Data		UL	
等级 Use Group	B C D		
额定电压 Rated Voltage [V]	300 - 300		
额定电流 Rated Current [A]	15 - 10		
接线范围 Wire Range	单芯线 Solid [AWG]	28~12	
	多芯线 Stranded [AWG]	28~12	
耐电压 Dielectric Voltage-Withstand	1.6KV		
IEC 技术参数 IEC Technical Data		IEC	
过电压类别 Overvoltage Category	II III II		
污染等级 Contamination Class	3 2 2		
额定电压 Rated Voltage [V]	250 320 630		
额定电流 Rated Current [A]	15 15 15		
额定冲击电压 Impulse withstand voltage [KV]	4 4 4		
导线截面积 Conductor cross section	硬质导线 Solid [mm ²]	0.2~2.5	
	柔性导线 Flexible [mm ²]	0.2~2.5	
材料 Material			
绝缘材料 Insulation Material	PA66		
阻燃等级 Flame retardant rating	UL94V-0		
导体材料 Conductor Material	Copper alloy		
导体表面镀层 Plating of conductor surface	Sn plated		
一般参数 Other Data			
间距/极数 Pitch/Poles [mm]/[P]	5.0, 5.08/2~24		
剥线长度 Stripping Length [mm]	7~8		
螺丝/扭矩 Screw/Torque(Max) [N.m]	M3/0.5		
工作温度 Operating temperature [°C]	-40~+105		
焊锡温度 Soldering temperature	/		
引针尺寸 Pin dimensions [mm]	/		
PCB板孔径 PCB Hole Diameter [mm]	/		



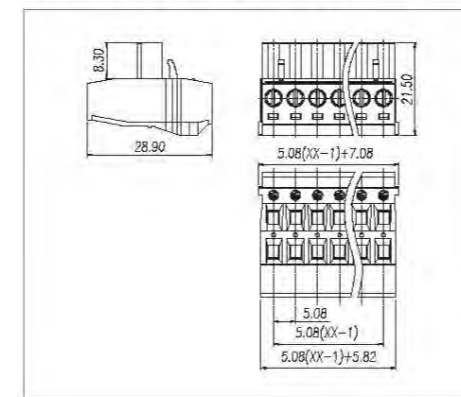
UL/CUL 技术参数 UL/CUL Technical Data		UL	
等级 Use Group	B C D		
额定电压 Rated Voltage [V]	300 - 300		
额定电流 Rated Current [A]	15 - 10		
接线范围 Wire Range	单芯线 Solid [AWG]	28~12	
	多芯线 Stranded [AWG]	28~12	
耐电压 Dielectric Voltage-Withstand	1.6KV		
IEC 技术参数 IEC Technical Data		IEC	
过电压类别 Overvoltage Category	II III II		
污染等级 Contamination Class	3 2 2		
额定电压 Rated Voltage [V]	400 630 1000		
额定电流 Rated Current [A]	15 15 15		
额定冲击电压 Impulse withstand voltage [KV]	6 6 6		
导线截面积 Conductor cross section	硬质导线 Solid [mm ²]	0.2~2.5	
	柔性导线 Flexible [mm ²]	0.2~2.5	
材料 Material			
绝缘材料 Insulation Material	PA66		
阻燃等级 Flame retardant rating	UL94V-0		
导体材料 Conductor Material	Copper alloy		
导体表面镀层 Plating of conductor surface	Sn plated		
一般参数 Other Data			
间距/极数 Pitch/Poles [mm]/[P]	7.5, 7.62/2~24		
剥线长度 Stripping Length [mm]	7~8		
螺丝/扭矩 Screw/Torque(Max) [N.m]	M3/0.5		
工作温度 Operating temperature [°C]	-40~+105		
焊锡温度 Soldering temperature	/		
引针尺寸 Pin dimensions [mm]	/		
PCB板孔径 PCB Hole Diameter [mm]	/		



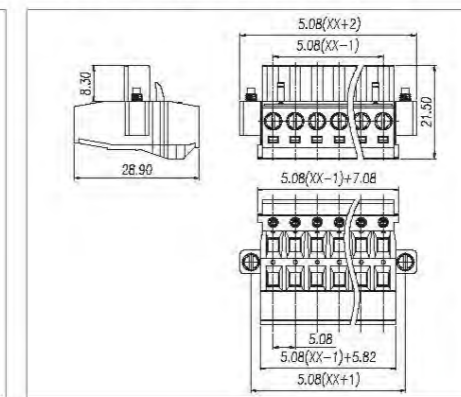
UL/CUL 技术参数 UL/CUL Technical Data		UL	
等级 Use Group	B C D		
额定电压 Rated Voltage [V]	600 - 600		
额定电流 Rated Current [A]	15 - 5		
接线范围 Wire Range	单芯线 Solid [AWG]	28~12	
	多芯线 Stranded [AWG]	28~12	
耐电压 Dielectric Voltage-Withstand	2.2KV		
IEC 技术参数 IEC Technical Data		IEC	
过电压类别 Overvoltage Category	III III II		
污染等级 Contamination Class	3 2 2		
额定电压 Rated Voltage [V]	630 1000 1000		
额定电流 Rated Current [A]	15 15 15		
额定冲击电压 Impulse withstand voltage [KV]	8 8 8		
导线截面积 Conductor cross section	硬质导线 Solid [mm ²]	0.2~2.5	
	柔性导线 Flexible [mm ²]	0.2~2.5	
材料 Material			
绝缘材料 Insulation Material	PA66		
阻燃等级 Flame retardant rating	UL94V-0		
导体材料 Conductor Material	Copper alloy		
导体表面镀层 Plating of conductor surface	Sn plated		
一般参数 Other Data			
间距/极数 Pitch/Poles [mm]/[P]	10, 10.16/2~12		
剥线长度 Stripping Length [mm]	7~8		
螺丝/扭矩 Screw/Torque(Max) [N.m]	M3/0.5		
工作温度 Operating temperature [°C]	-40~+105		
焊锡温度 Soldering temperature	/		
引针尺寸 Pin dimensions [mm]	/		
PCB板孔径 PCB Hole Diameter [mm]	/		



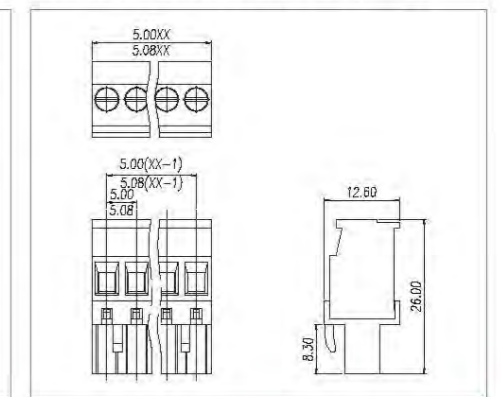
UL/CUL 技术参数 UL/CUL Technical Data		UL	
等级 Use Group	B C D		
额定电压 Rated Voltage [V]	300 - 300		
额定电流 Rated Current [A]	15 - 10		
接线范围 Wire Range	单芯线 Solid [AWG]	28~12	
	多芯线 Stranded [AWG]	28~12	
耐电压 Dielectric Voltage-Withstand	1.6KV		
IEC 技术参数 IEC Technical Data		IEC	
过电压类别 Overvoltage Category	II III II		
污染等级 Contamination Class	3 2 2		
额定电压 Rated Voltage [V]	250 320 630		
额定电流 Rated Current [A]	12 12 12		
额定冲击电压 Impulse withstand voltage [KV]	4 4 4		
导线截面积 Conductor cross section	硬质导线 Solid [mm ²]	0.2~2.5	
	柔性导线 Flexible [mm ²]	0.2~2.5	
材料 Material			
绝缘材料 Insulation Material	PA66		
阻燃等级 Flame retardant rating	UL94V-0		
导体材料 Conductor Material	Copper alloy		
导体表面镀层 Plating of conductor surface	Sn plated		
一般参数 Other Data			
间距/极数 Pitch/Poles [mm]/[P]	5.08/2~24		
剥线长度 Stripping Length [mm]	7-8		
螺丝/扭矩 Screw/Torque(Max) [N.m]	M3/0.5		
工作温度 Operating temperature [°C]	-40~+105		
焊锡温度 Soldering temperature	/		
引针尺寸 Pin dimensions [mm]	/		
PCB板孔径 PCB Hole Diameter [mm]	/		



UL/CUL 技术参数 UL/CUL Technical Data		UL	
等级 Use Group	B C D		
额定电压 Rated Voltage [V]	300 - 300		
额定电流 Rated Current [A]	15 - 10		
接线范围 Wire Range	单芯线 Solid [AWG]	28~12	
	多芯线 Stranded [AWG]	28~12	
耐电压 Dielectric Voltage-Withstand	1.6KV		
IEC 技术参数 IEC Technical Data		IEC	
过电压类别 Overvoltage Category	II III II		
污染等级 Contamination Class	3 2 2		
额定电压 Rated Voltage [V]	250 320 630		
额定电流 Rated Current [A]	12 12 12		
额定冲击电压 Impulse withstand voltage [KV]	4 4 4		
导线截面积 Conductor cross section	硬质导线 Solid [mm ²]	0.2~2.5	
	柔性导线 Flexible [mm ²]	0.2~2.5	
材料 Material			
绝缘材料 Insulation Material	PA66		
阻燃等级 Flame retardant rating	UL94V-0		
导体材料 Conductor Material	Copper alloy		
导体表面镀层 Plating of conductor surface	Sn plated		
一般参数 Other Data			
间距/极数 Pitch/Poles [mm]/[P]	5.08/2~24		
剥线长度 Stripping Length [mm]	7-8		
螺丝/扭矩 Screw/Torque(Max) [N.m]	M3/0.5		
工作温度 Operating temperature [°C]	-40~+105		
焊锡温度 Soldering temperature	/		
引针尺寸 Pin dimensions [mm]	/		
PCB板孔径 PCB Hole Diameter [mm]	/		



UL/CUL 技术参数 UL/CUL Technical Data		UL	
等级 Use Group	B C D		
额定电压 Rated Voltage [V]	300 - 300		
额定电流 Rated Current [A]	15 - 10		
接线范围 Wire Range	单芯线 Solid [AWG]	28~12	
	多芯线 Stranded [AWG]	28~12	
耐电压 Dielectric Voltage-Withstand	1.6KV		
IEC 技术参数 IEC Technical Data		IEC	
过电压类别 Overvoltage Category	II III II		
污染等级 Contamination Class	3 2 2		
额定电压 Rated Voltage [V]	250 320 630		
额定电流 Rated Current [A]	12 12 12		
额定冲击电压 Impulse withstand voltage [KV]	4 4 4		
导线截面积 Conductor cross section	硬质导线 Solid [mm ²]	0.2~2.5	
	柔性导线 Flexible [mm ²]	0.2~2.5	
材料 Material			
绝缘材料 Insulation Material	PA66		
阻燃等级 Flame retardant rating	UL94V-0		
导体材料 Conductor Material	Copper alloy		
导体表面镀层 Plating of conductor surface	Sn plated		
一般参数 Other Data			
间距/极数 Pitch/Poles [mm]/[P]	5.0, 5.08/2~24		
剥线长度 Stripping Length [mm]	7~8mm		
螺丝/扭矩 Screw/Torque(Max) [N.m]	M3/0.5		
工作温度 Operating temperature [°C]	-40~+105		
焊锡温度 Soldering temperature	/		
引针尺寸 Pin dimensions [mm]	/		
PCB板孔径 PCB Hole Diameter [mm]	/		





Pitch:7.5/7.62mm

WJ2EDGKA-7.5/7.62



Pitch:5.0/5.08mm

WJ2EDGKAM-5.0/5.08



Pitch:7.5/7.62mm

WJ2EDGKAM-7.5/7.62



Pitch:5.0/5.08mm

WJ2EDGKB-5.0/5.08



Pitch:7.5/7.62mm

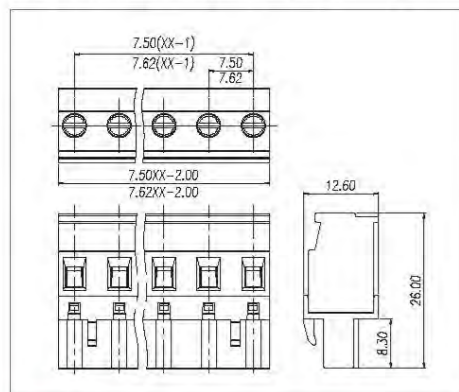
WJ2EDGKB-7.5/7.62



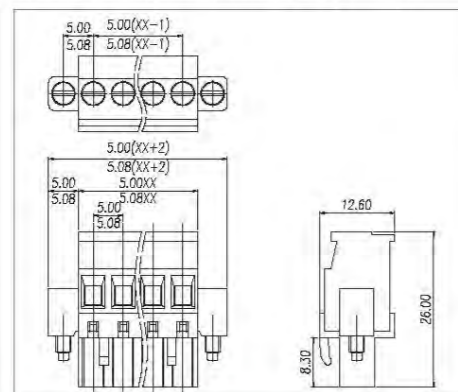
Pitch:5.0/5.08mm

WJ2EDGKBM-5.0/5.08

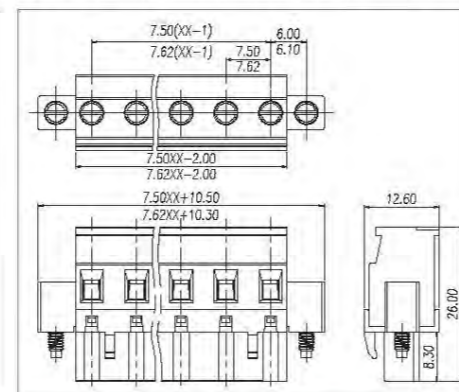
UL/CUL 技术参数 UL/CUL Technical Data			
等级 Use Group	B C D		
额定电压 Rated Voltage [V]	300	-	300
额定电流 Rated Current [A]	15	-	10
接线范围 Wire Range	单芯线 Solid [AWG] 28~12 多芯线 Stranded [AWG] 28~12		
耐电压 Dielectric Voltage-Withstand	1.6KV		
IEC 技术参数 IEC Technical Data			
过电压类别 Overvoltage Category	II	III	II
污染等级 Contamination Class	3	2	2
额定电压 Rated Voltage [V]	500	630	1000
额定电流 Rated Current [A]	12	12	12
额定冲击电压 Impulse withstand voltage [KV]	6	6	6
导线截面积 Conductor cross section	硬质导线 Solid [mm ²] 0.2~2.5 柔性导线 Flexible [mm ²] 0.2~2.5		
材料 Material			
绝缘材料 Insulation Material	PA66		
阻燃等级 Flame retardant rating	UL94V-0		
导体材料 Conductor Material	Copper alloy		
导体表面镀层 Plating of conductor surface	Sn plated		
一般参数 Other Data			
间距/极数 Pitch/Poles [mm]/[P]	7.5,7.62/2~24		
剥线长度 Stripping Length [mm]	7~8mm		
螺丝/扭矩 Screw/Torque(Max) [N.m]	M3/0.5		
工作温度 Operating temperature [°C]	-40~+105		
焊接温度 Soldering temperature	/		
引针尺寸 Pin dimensions [mm]	/		
PCB板孔径 PCB Hole Diameter [mm]	/		



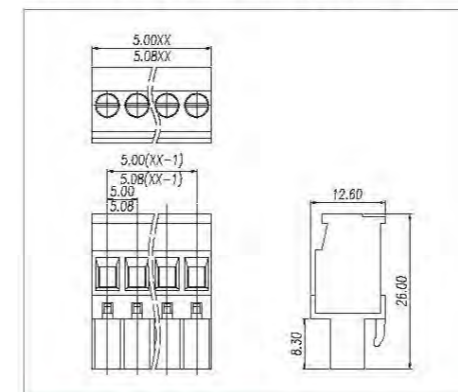
UL/CUL 技术参数 UL/CUL Technical Data			
等级 Use Group	B C D		
额定电压 Rated Voltage [V]	300	-	300
额定电流 Rated Current [A]	15	-	10
接线范围 Wire Range	单芯线 Solid [AWG] 28~12 多芯线 Stranded [AWG] 28~12		
耐电压 Dielectric Voltage-Withstand	1.6KV		
IEC 技术参数 IEC Technical Data			
过电压类别 Overvoltage Category	II	III	II
污染等级 Contamination Class	3	2	2
额定电压 Rated Voltage [V]	250	320	630
额定电流 Rated Current [A]	12	12	12
额定冲击电压 Impulse withstand voltage [KV]	4	4	4
导线截面积 Conductor cross section	硬质导线 Solid [mm ²] 0.2~2.5 柔性导线 Flexible [mm ²] 0.2~2.5		
材料 Material			
绝缘材料 Insulation Material	PA66		
阻燃等级 Flame retardant rating	UL94V-0		
导体材料 Conductor Material	Copper alloy		
导体表面镀层 Plating of conductor surface	Sn plated		
一般参数 Other Data			
间距/极数 Pitch/Poles [mm]/[P]	5.0,5.08/2~24		
剥线长度 Stripping Length [mm]	7~8mm		
螺丝/扭矩 Screw/Torque(Max) [N.m]	M3/0.5		
工作温度 Operating temperature [°C]	-40~+105		
焊接温度 Soldering temperature	/		
引针尺寸 Pin dimensions [mm]	/		
PCB板孔径 PCB Hole Diameter [mm]	/		



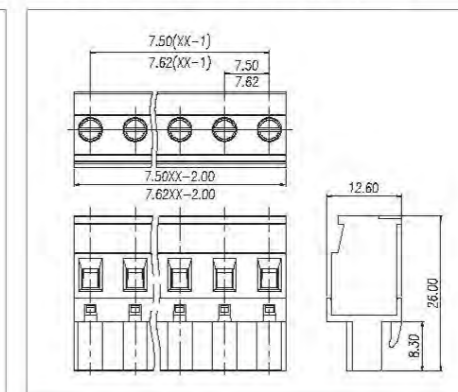
UL/CUL 技术参数 UL/CUL Technical Data			
等级 Use Group	B C D		
额定电压 Rated Voltage [V]	300	-	300
额定电流 Rated Current [A]	15	-	10
接线范围 Wire Range	单芯线 Solid [AWG] 28~12 多芯线 Stranded [AWG] 28~12		
耐电压 Dielectric Voltage-Withstand	1.6KV		
IEC 技术参数 IEC Technical Data			
过电压类别 Overvoltage Category	II	III	II
污染等级 Contamination Class	3	2	2
额定电压 Rated Voltage [V]	500	630	1000
额定电流 Rated Current [A]	12	12	12
额定冲击电压 Impulse withstand voltage [KV]	6	6	6
导线截面积 Conductor cross section	硬质导线 Solid [mm ²] 0.2~2.5 柔性导线 Flexible [mm ²] 0.2~2.5		
材料 Material			
绝缘材料 Insulation Material	PA66		
阻燃等级 Flame retardant rating	UL94V-0		
导体材料 Conductor Material	Copper alloy		
导体表面镀层 Plating of conductor surface	Sn plated		
一般参数 Other Data			
间距/极数 Pitch/Poles [mm]/[P]	7.5,7.62/2~24		
剥线长度 Stripping Length [mm]	7~8		
螺丝/扭矩 Screw/Torque(Max) [N.m]	M3/0.5		
工作温度 Operating temperature [°C]	-40~+105		
焊接温度 Soldering temperature	/		
引针尺寸 Pin dimensions [mm]	/		
PCB板孔径 PCB Hole Diameter [mm]	/		



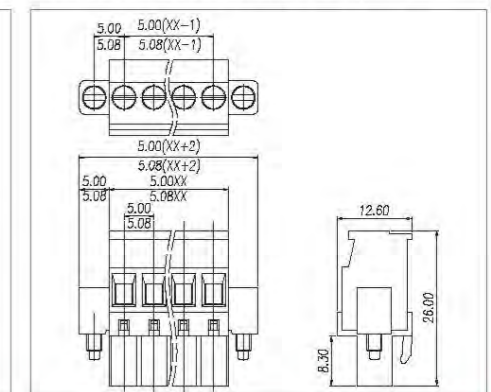
UL/CUL 技术参数 UL/CUL Technical Data			
等级 Use Group	B C D		
额定电压 Rated Voltage [V]	300	-	300
额定电流 Rated Current [A]	15	-	10
接线范围 Wire Range	单芯线 Solid [AWG] 28~12 多芯线 Stranded [AWG] 28~12		
耐电压 Dielectric Voltage-Withstand	1.6KV		
IEC 技术参数 IEC Technical Data			
过电压类别 Overvoltage Category	II	III	II
污染等级 Contamination Class	3	2	2
额定电压 Rated Voltage [V]	250	320	630
额定电流 Rated Current [A]	12	12	12
额定冲击电压 Impulse withstand voltage [KV]	4	4	4
导线截面积 Conductor cross section	硬质导线 Solid [mm ²] 0.2~2.5 柔性导线 Flexible [mm ²] 0.2~2.5		
材料 Material			
绝缘材料 Insulation Material	PA66		
阻燃等级 Flame retardant rating	UL94V-0		
导体材料 Conductor Material	Copper alloy		
导体表面镀层 Plating of conductor surface	Sn plated		
一般参数 Other Data			
间距/极数 Pitch/Poles [mm]/[P]	5.0,5.08/2~24		
剥线长度 Stripping Length [mm]	7~8		
螺丝/扭矩 Screw/Torque(Max) [N.m]	M3/0.5		
工作温度 Operating temperature [°C]	-40~+105		
焊接温度 Soldering temperature	/		
引针尺寸 Pin dimensions [mm]	/		
PCB板孔径 PCB Hole Diameter [mm]	/		



UL/CUL 技术参数 UL/CUL Technical Data			
等级 Use Group	B C D		
额定电压 Rated Voltage [V]	300	-	300
额定电流 Rated Current [A]	15	-	10
接线范围 Wire Range	单芯线 Solid [AWG] 28~12 多芯线 Stranded [AWG] 28~12		
耐电压 Dielectric Voltage-Withstand	1.6KV		
IEC 技术参数 IEC Technical Data			
过电压类别 Overvoltage Category	II	III	II
污染等级 Contamination Class	3	2	2
额定电压 Rated Voltage [V]	500	630	1000
额定电流 Rated Current [A]	12	12	12
额定冲击电压 Impulse withstand voltage [KV]	6	6	6
导线截面积 Conductor cross section	硬质导线 Solid [mm ²] 0.2~2.5 柔性导线 Flexible [mm ²] 0.2~2.5		
材料 Material			
绝缘材料 Insulation Material	PA66		
阻燃等级 Flame retardant rating	UL94V-0		
导体材料 Conductor Material	Copper alloy		
导体表面镀层 Plating of conductor surface	Sn plated		
一般参数 Other Data			
间距/极数 Pitch/Poles [mm]/[P]	7.5,7.62/2~24		
剥线长度 Stripping Length [mm]	7~8		
螺丝/扭矩 Screw/Torque(Max) [N.m]	M3/0.5		
工作温度 Operating temperature [°C]	-40~+105		
焊接温度 Soldering temperature	/		
引针尺寸 Pin dimensions [mm]	/		
PCB板孔径 PCB Hole Diameter [mm]	/		



UL/CUL 技术参数 UL/CUL Technical Data			
等级 Use Group	B C D		
额定电压 Rated Voltage [V]	300	-	300
额定电流 Rated Current [A]	15	-	10
接线范围 Wire Range	单芯线 Solid [AWG] 28~12 多芯线 Stranded [AWG] 28~12		
耐电压 Dielectric Voltage-Withstand	1.6KV		
IEC 技术参数 IEC Technical Data			
过电压类别 Overvoltage Category	II	III	II
污染等级 Contamination Class	3	2	2
额定电压 Rated Voltage [V]	250	320	630
额定电流 Rated Current [A]	12	12	12
额定冲击电压 Impulse withstand voltage [KV]	4	4	4
导线截面积 Conductor cross section	硬质导线 Solid [mm ²] 0.2~2.5 柔性导线 Flexible [mm ²] 0.2~2.5		
材料 Material			
绝缘材料 Insulation Material	PA66		
阻燃等级 Flame retardant rating	UL94V-0		
导体材料 Conductor Material	Copper alloy		
导体表面镀层 Plating of conductor surface	Sn plated		
一般参数 Other Data			
间距/极数 Pitch/Poles [mm]/[P]	5.0,5.08/2~24		
剥线长度 Stripping Length [mm]	7~8		
螺丝/扭矩 Screw/Torque(Max) [N.m]	M3/0.5		
工作温度 Operating temperature [°C]	-40~+105		
焊接温度 Soldering temperature	/		
引针尺寸 Pin dimensions [mm]	/		
PCB板孔径 PCB Hole Diameter [mm]	/		





Pitch:7.5/7.62mm

WJ2EDGKBM-7.5/7.62



Pitch:5.08mm

WJ2EDGKAH-5.08



Pitch:5.08mm

WJ2EDGKAHM-5.08



Pitch:5.0/5.08mm

WJ2EDGKC-5.0/5.08



Pitch:5.0/5.08mm

WJ2EDGKCM-5.0/5.08



Pitch:7.62mm

WJ2EDGKC-7.62

UL/CUL 技术参数		UL/CUL Technical Data			
等级	Use Group	B	C	D	
额定电压	Rated Voltage [V]	300	-	300	
额定电流	Rated Current [A]	15	-	10	
接线范围	单芯线 Solid [AWG]	28~12			
	多芯线 Stranded [AWG]	28~12			
耐电压	Dielectric Voltage-Withstand	1.6KV			
IEC 技术参数		IEC Technical Data			
过电压类别	Overvoltage Category	III	III	II	
污染等级	Contamination Class	3	2	2	
额定电压	Rated Voltage [V]	500	630	1000	
额定电流	Rated Current [A]	12	12	12	
额定冲击电压	Impulse withstand voltage [KV]	6	6	6	
导线截面积	硬质导线 Solid [mm ²]	0.2~2.5			
	柔性导线 Flexible [mm ²]	0.2~2.5			
材料 Material					
绝缘材料	Insulation Material	PA66			
阻燃等级	Flame retardant rating	UL94V-0			
导体材料	Conductor Material	Copper alloy			
导体表面镀层	Plating of conductor surface	Sn plated			
一般参数 Other Data					
间距/极数	Pitch/Poles [mm]/[P]	7.5,7.62/2~24			
剥线长度	Stripping Length [mm]	7~8			
螺丝/扭矩	Screw/Torque(Max)[N.m]	M3/0.5			
工作温度	Operating temperature [°C]	-40~+105			
焊接温度	Soldering temperature	/			
引针尺寸	Pin dimensions [mm]	/			
PCB板孔径	PCB Hole Diameter [mm]	/			

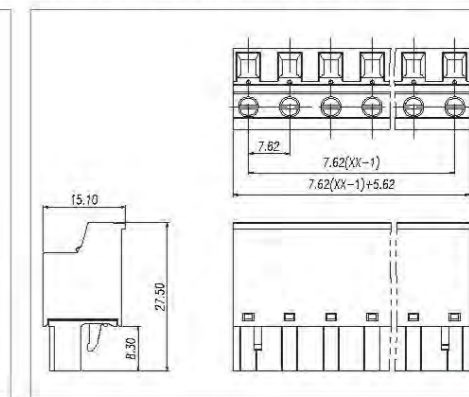
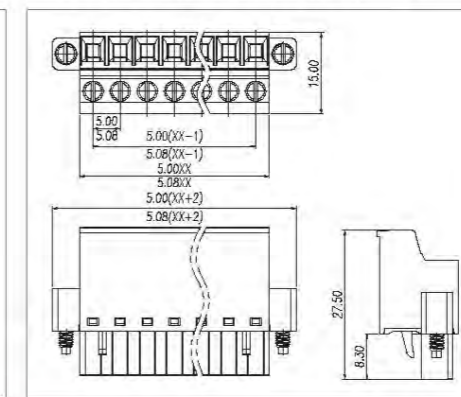
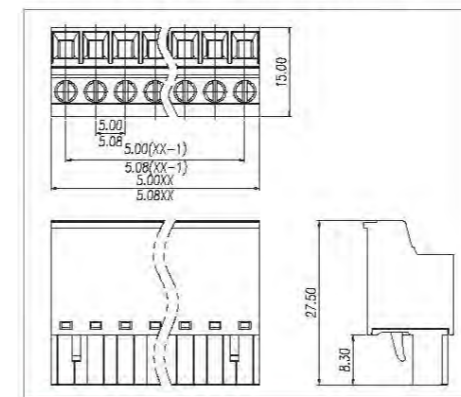
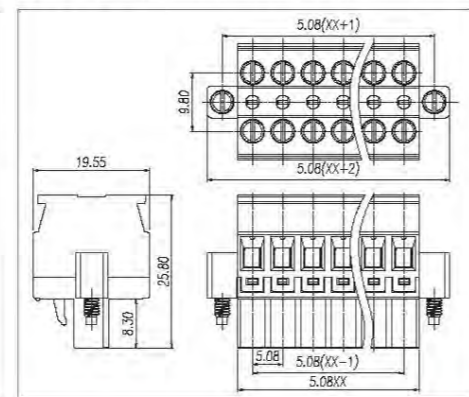
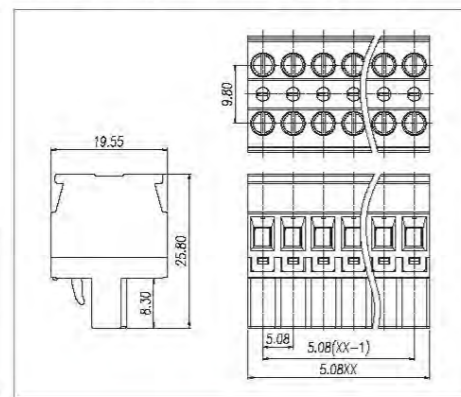
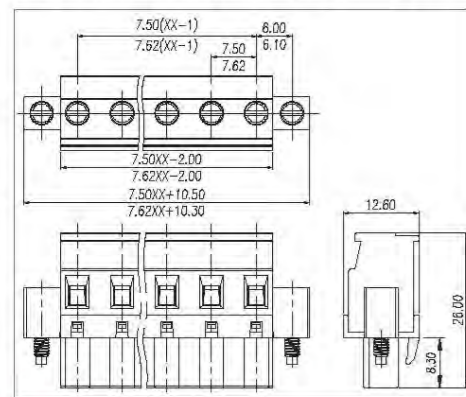
UL/CUL 技术参数		UL/CUL Technical Data			
等级	Use Group	B	C	D	
额定电压	Rated Voltage [V]	300	-	300	
额定电流	Rated Current [A]	15	-	10	
接线范围	单芯线 Solid [AWG]	28~12			
	多芯线 Stranded [AWG]	28~12			
耐电压	Dielectric Voltage-Withstand	1.6KV			
IEC 技术参数		IEC Technical Data			
过电压类别	Overvoltage Category	III	III	II	
污染等级	Contamination Class	3	2	2	
额定电压	Rated Voltage [V]	250	320	630	
额定电流	Rated Current [A]	12	12	12	
额定冲击电压	Impulse withstand voltage [KV]	4	4	4	
导线截面积	硬质导线 Solid [mm ²]	0.2~2.5			
	柔性导线 Flexible [mm ²]	0.2~2.5			
材料 Material					
绝缘材料	Insulation Material	PA66			
阻燃等级	Flame retardant rating	UL94V-0			
导体材料	Conductor Material	Copper alloy			
导体表面镀层	Plating of conductor surface	Sn plated			
一般参数 Other Data					
间距/极数	Pitch/Poles [mm]/[P]	5.08/2~24			
剥线长度	Stripping Length [mm]	7~8			
螺丝/扭矩	Screw/Torque(Max)[N.m]	M3/0.5			
工作温度	Operating temperature [°C]	-40~+105			
焊接温度	Soldering temperature	/			
引针尺寸	Pin dimensions [mm]	/			
PCB板孔径	PCB Hole Diameter [mm]	/			

UL/CUL 技术参数		UL/CUL Technical Data			
等级	Use Group	B	C	D	
额定电压	Rated Voltage [V]	300	-	300	
额定电流	Rated Current [A]	15	-	10	
接线范围	单芯线 Solid [AWG]	28~12			
	多芯线 Stranded [AWG]	28~12			
耐电压	Dielectric Voltage-Withstand	1.6KV			
IEC 技术参数		IEC Technical Data			
过电压类别	Overvoltage Category	III	III	II	
污染等级	Contamination Class	3	2	2	
额定电压	Rated Voltage [V]	250	320	630	
额定电流	Rated Current [A]	12	12	12	
额定冲击电压	Impulse withstand voltage [KV]	4	4	4	
导线截面积	硬质导线 Solid [mm ²]	0.2~2.5			
	柔性导线 Flexible [mm ²]	0.2~2.5			
材料 Material					
绝缘材料	Insulation Material	PA66			
阻燃等级	Flame retardant rating	UL94V-0			
导体材料	Conductor Material	Copper alloy			
导体表面镀层	Plating of conductor surface	Sn plated			
一般参数 Other Data					
间距/极数	Pitch/Poles [mm]/[P]	5.08/2~24			
剥线长度	Stripping Length [mm]	7~8			
螺丝/扭矩	Screw/Torque(Max)[N.m]	M3/0.5			
工作温度	Operating temperature [°C]	-40~+105			
焊接温度	Soldering temperature	/			
引针尺寸	Pin dimensions [mm]	/			
PCB板孔径	PCB Hole Diameter [mm]	/			

UL/CUL 技术参数		UL/CUL Technical Data			
等级	Use Group	B	C	D	
额定电压	Rated Voltage [V]	300	-	300	
额定电流	Rated Current [A]	15	-	10	
接线范围	单芯线 Solid [AWG]	28~12			
	多芯线 Stranded [AWG]	28~12			
耐电压	Dielectric Voltage-Withstand	1.6KV			
IEC 技术参数		IEC Technical Data			
过电压类别	Overvoltage Category	III	III	II	
污染等级	Contamination Class	3	2	2	
额定电压	Rated Voltage [V]	250	320	630	
额定电流	Rated Current [A]	18	18	18	
额定冲击电压	Impulse withstand voltage [KV]	4	4	4	
导线截面积	硬质导线 Solid [mm ²]	0.2~2.5			
	柔性导线 Flexible [mm ²]	0.2~2.5			
材料 Material					
绝缘材料	Insulation Material	PA66			
阻燃等级	Flame retardant rating	UL94V-0			
导体材料	Conductor Material	Copper alloy			
导体表面镀层	Plating of conductor surface	Sn plated			
一般参数 Other Data					
间距/极数	Pitch/Poles [mm]/[P]	5.0,5.08/2~24			
剥线长度	Stripping Length [mm]	9~10			
螺丝/扭矩	Screw/Torque(Max)[N.m]	M2.5/0.4			
工作温度	Operating temperature [°C]	-40~+105			
焊接温度	Soldering temperature	/			
引针尺寸	Pin dimensions [mm]	/			
PCB板孔径	PCB Hole Diameter [mm]	/			

UL/CUL 技术参数		UL/CUL Technical Data			
等级	Use Group	B	C	D	
额定电压	Rated Voltage [V]	300	-	300	
额定电流	Rated Current [A]	15	-	10	
接线范围	单芯线 Solid [AWG]	28~12			
	多芯线 Stranded [AWG]	28~12			
耐电压	Dielectric Voltage-Withstand	1.6KV			
IEC 技术参数		IEC Technical Data			
过电压类别	Overvoltage Category	III	III	II	
污染等级	Contamination Class	3	2	2	
额定电压	Rated Voltage [V]	250	320	630	
额定电流	Rated Current [A]	18	18	18	
额定冲击电压	Impulse withstand voltage [KV]	4	4	4	
导线截面积	硬质导线 Solid [mm ²]	0.2~2.5			
	柔性导线 Flexible [mm ²]	0.2~2.5			
材料 Material					
绝缘材料	Insulation Material	PA66			
阻燃等级	Flame retardant rating	UL94V-0			
导体材料	Conductor Material	Copper alloy			
导体表面镀层	Plating of conductor surface	Sn plated			
一般参数 Other Data					
间距/极数	Pitch/Poles [mm]/[P]	5.0,5.08/2~24			
剥线长度	Stripping Length [mm]	9~10			
螺丝/扭矩	Screw/Torque(Max)[N.m]	M2.5/0.4			
工作温度	Operating temperature [°C]	-40~+105			
焊接温度	Soldering temperature	/			
引针尺寸	Pin dimensions [mm]	/			
PCB板孔径	PCB Hole Diameter [mm]	/			

UL/CUL 技术参数		UL/CUL Technical Data			
等级	Use Group	B	C	D	
额定电压	Rated Voltage [V]	300	-	300	
额定电流	Rated Current [A]	15	-	10	
接线范围	单芯线 Solid [AWG]	28~12			
	多芯线 Stranded [AWG]	28~12			
耐电压	Dielectric Voltage-Withstand	1.6KV			
IEC 技术参数		IEC Technical Data			
过电压类别	Overvoltage Category	III	III	II	
污染等级	Contamination Class	3	2	2	
额定电压	Rated Voltage [V]	400	630	1000	
额定电流	Rated Current [A]	18	18	18	
额定冲击电压	Impulse withstand voltage [KV]	6	6	6	
导线截面积	硬质导线 Solid [mm ²]	0.2~2.5			
	柔性导线 Flexible [mm ²]	0.2~2.5			
材料 Material					
绝缘材料	Insulation Material	PA66			
阻燃等级	Flame retardant rating	UL94V-0			
导体材料	Conductor Material	Copper alloy			
导体表面镀层	Plating of conductor surface	Sn plated			
一般参数 Other Data					
间距/极数	Pitch/Poles [mm]/[P]	7.62/2~16			
剥线长度	Stripping Length [mm]	9~10			
螺丝/扭矩	Screw/Torque(Max)[N.m]	M2.5/0.4			
工作温度	Operating temperature [°C]	-40~+105			
焊接温度	Soldering temperature	/			
引针尺寸	Pin dimensions [mm]	/			
PCB板孔径	PCB Hole Diameter [mm]	/			





Pitch:7.62mm

WJ2EDGKCM-7.62



Pitch:5.0/5.08mm

WJ2EDGKD-5.0/5.08



Pitch:5.0/5.08mm

WJ2EDGKDM-5.0/5.08



Pitch:5.0/5.08mm

WJ2EDGKDG-5.0/5.08



Pitch:5.08mm

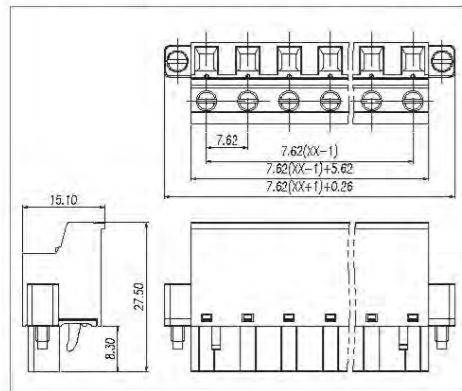
WJ2EDGKDBG-5.08



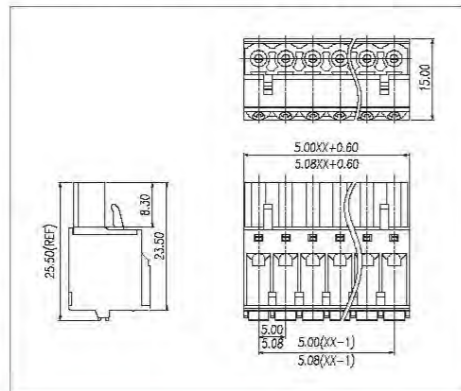
Pitch:7.5/7.62mm

WJ2EDGKD-7.5/7.62

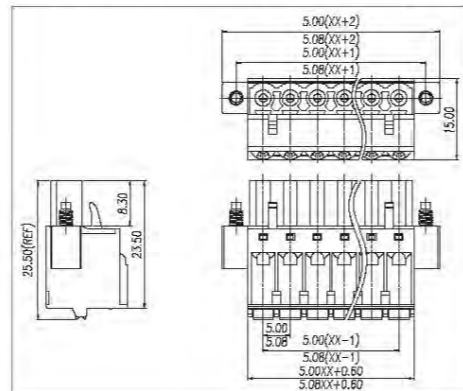
UL/CUL 技术参数 UL/CUL Technical Data		UL/CUL 技术参数 UL/CUL Technical Data	
等级	Use Group	B	C D
额定电压	Rated Voltage [V]	300	- 300
额定电流	Rated Current [A]	15	- 10
接线范围 Wire Range	单芯线 Solid [AWG]	28~12	
	多芯线 Stranded [AWG]	28~12	
耐电压	Dielectric Voltage-Withstand	1.6KV	
IEC 技术参数 IEC Technical Data			
过电压类别	Overvoltage Category	III	III II
污染等级	Contamination Class	3	2 2
额定电压	Rated Voltage [V]	400	630 1000
额定电流	Rated Current [A]	18	18 18
额定冲击电压	Impulse withstand voltage [KV]	6	6 6
导线截面积 Conductor cross section	硬质导线 Solid [mm ²]	0.2~2.5	
	柔性导线 Flexible [mm ²]	0.2~2.5	
材料 Material			
绝缘材料	Insulation Material	PA66	
阻燃等级	Flame retardant rating	UL94V-0	
导体材料	Conductor Material	Copper alloy	
导体表面镀层	Plating of conductor surface	Sn plated	
一般参数 Other Data			
间距/极数	Pitch/Poles [mm]/[P]	7.62/2~16	
剥线长度	Stripping Length [mm]	9-10	
螺丝/扭矩	Screw/Torque(Max) [N.m]	M2.5/0.4	
工作温度	Operating temperature [°C]	-40~+105	
焊接温度	Soldering temperature	/	
引针尺寸	Pin dimensions [mm]	/	
PCB板孔径	PCB Hole Diameter [mm]	/	



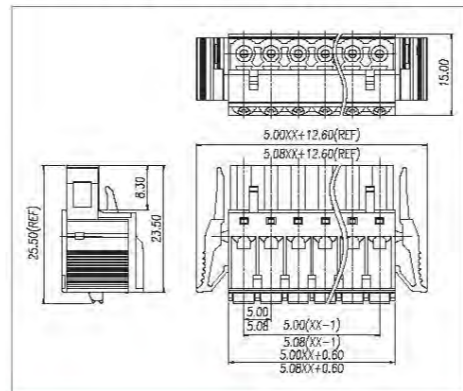
UL/CUL 技术参数 UL/CUL Technical Data		UL/CUL 技术参数 UL/CUL Technical Data	
等级	Use Group	B	C D
额定电压	Rated Voltage [V]	300	- 300
额定电流	Rated Current [A]	10	- 10
接线范围 Wire Range	单芯线 Solid [AWG]	28~12	
	多芯线 Stranded [AWG]	28~12	
耐电压	Dielectric Voltage-Withstand	1.6KV	
IEC 技术参数 IEC Technical Data			
过电压类别	Overvoltage Category	III	III II
污染等级	Contamination Class	3	2 2
额定电压	Rated Voltage [V]	250	320 630
额定电流	Rated Current [A]	12	12 12
额定冲击电压	Impulse withstand voltage [KV]	4	4 4
导线截面积 Conductor cross section	硬质导线 Solid [mm ²]	0.2~2.5	
	柔性导线 Flexible [mm ²]	0.2~2.5	
材料 Material			
绝缘材料	Insulation Material	PA66	
阻燃等级	Flame retardant rating	UL94V-0	
导体材料	Conductor Material	Copper alloy	
导体表面镀层	Plating of conductor surface	Sn plated	
一般参数 Other Data			
间距/极数	Pitch/Poles [mm]/[P]	5.0,5.08/2~24	
剥线长度	Stripping Length [mm]	9-10	
螺丝/扭矩	Screw/Torque(Max) [N.m]	/	
工作温度	Operating temperature [°C]	-40~+105	
焊接温度	Soldering temperature	/	
引针尺寸	Pin dimensions [mm]	/	
PCB板孔径	PCB Hole Diameter [mm]	/	



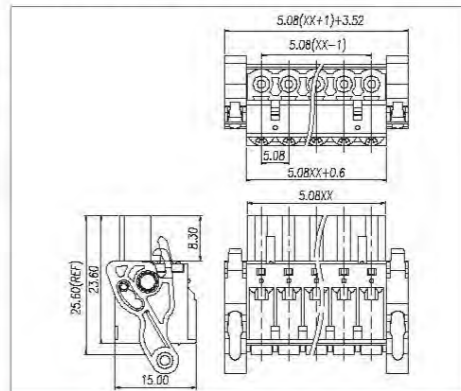
UL/CUL 技术参数 UL/CUL Technical Data		UL/CUL 技术参数 UL/CUL Technical Data	
等级	Use Group	B	C D
额定电压	Rated Voltage [V]	300	- 300
额定电流	Rated Current [A]	10	- 10
接线范围 Wire Range	单芯线 Solid [AWG]	28~12	
	多芯线 Stranded [AWG]	28~12	
耐电压	Dielectric Voltage-Withstand	1.6KV	
IEC 技术参数 IEC Technical Data			
过电压类别	Overvoltage Category	III	III II
污染等级	Contamination Class	3	2 2
额定电压	Rated Voltage [V]	250	320 630
额定电流	Rated Current [A]	12	12 12
额定冲击电压	Impulse withstand voltage [KV]	4	4 4
导线截面积 Conductor cross section	硬质导线 Solid [mm ²]	0.2~2.5	
	柔性导线 Flexible [mm ²]	0.2~2.5	
材料 Material			
绝缘材料	Insulation Material	PA66	
阻燃等级	Flame retardant rating	UL94V-0	
导体材料	Conductor Material	Copper alloy	
导体表面镀层	Plating of conductor surface	Sn plated	
一般参数 Other Data			
间距/极数	Pitch/Poles [mm]/[P]	5.0,5.08/2~24	
剥线长度	Stripping Length [mm]	9-10	
螺丝/扭矩	Screw/Torque(Max) [N.m]	/	
工作温度	Operating temperature [°C]	-40~+105	
焊接温度	Soldering temperature	/	
引针尺寸	Pin dimensions [mm]	/	
PCB板孔径	PCB Hole Diameter [mm]	/	



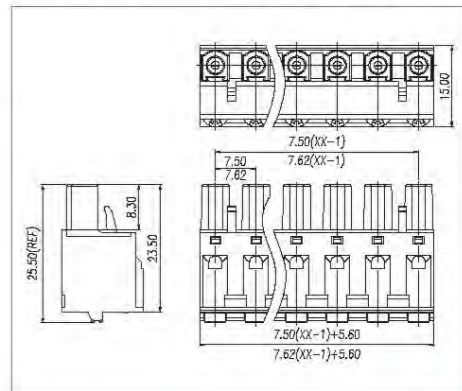
UL/CUL 技术参数 UL/CUL Technical Data		UL/CUL 技术参数 UL/CUL Technical Data	
等级	Use Group	B	C D
额定电压	Rated Voltage [V]	300	- 300
额定电流	Rated Current [A]	10	- 10
接线范围 Wire Range	单芯线 Solid [AWG]	28~12	
	多芯线 Stranded [AWG]	28~12	
耐电压	Dielectric Voltage-Withstand	1.6KV	
IEC 技术参数 IEC Technical Data			
过电压类别	Overvoltage Category	III	III II
污染等级	Contamination Class	3	2 2
额定电压	Rated Voltage [V]	250	320 630
额定电流	Rated Current [A]	12	12 12
额定冲击电压	Impulse withstand voltage [KV]	4	4 4
导线截面积 Conductor cross section	硬质导线 Solid [mm ²]	0.2~2.5	
	柔性导线 Flexible [mm ²]	0.2~2.5	
材料 Material			
绝缘材料	Insulation Material	PA66	
阻燃等级	Flame retardant rating	UL94V-0	
导体材料	Conductor Material	Copper alloy	
导体表面镀层	Plating of conductor surface	Sn plated	
一般参数 Other Data			
间距/极数	Pitch/Poles [mm]/[P]	5.0,5.08/2~24	
剥线长度	Stripping Length [mm]	9-10	
螺丝/扭矩	Screw/Torque(Max) [N.m]	/	
工作温度	Operating temperature [°C]	-40~+105	
焊接温度	Soldering temperature	/	
引针尺寸	Pin dimensions [mm]	/	
PCB板孔径	PCB Hole Diameter [mm]	/	



UL/CUL 技术参数 UL/CUL Technical Data		UL/CUL 技术参数 UL/CUL Technical Data	
等级	Use Group	B	C D
额定电压	Rated Voltage [V]	300	- 300
额定电流	Rated Current [A]	10	- 10
接线范围 Wire Range	单芯线 Solid [AWG]	28~12	
	多芯线 Stranded [AWG]	28~12	
耐电压	Dielectric Voltage-Withstand	1.6KV	
IEC 技术参数 IEC Technical Data			
过电压类别	Overvoltage Category	III	III II
污染等级	Contamination Class	3	2 2
额定电压	Rated Voltage [V]	250	320 630
额定电流	Rated Current [A]	12	12 12
额定冲击电压	Impulse withstand voltage [KV]	4	4 4
导线截面积 Conductor cross section	硬质导线 Solid [mm ²]	0.2~2.5	
	柔性导线 Flexible [mm ²]	0.2~2.5	
材料 Material			
绝缘材料	Insulation Material	PA66	
阻燃等级	Flame retardant rating	UL94V-0	
导体材料	Conductor Material	Copper alloy	
导体表面镀层	Plating of conductor surface	Sn plated	
一般参数 Other Data			
间距/极数	Pitch/Poles [mm]/[P]	5.08/2~24	
剥线长度	Stripping Length [mm]	9-10	
螺丝/扭矩	Screw/Torque(Max) [N.m]	/	
工作温度	Operating temperature [°C]	-40~+105	
焊接温度	Soldering temperature	/	
引针尺寸	Pin dimensions [mm]	/	
PCB板孔径	PCB Hole Diameter [mm]	/	



UL/CUL 技术参数 UL/CUL Technical Data		UL/CUL 技术参数 UL/CUL Technical Data	
等级	Use Group	B	C D
额定电压	Rated Voltage [V]	300	- 300
额定电流	Rated Current [A]	10	- 10
接线范围 Wire Range	单芯线 Solid [AWG]	28~12	
	多芯线 Stranded [AWG]	28~12	
耐电压	Dielectric Voltage-Withstand	1.6KV	
IEC 技术参数 IEC Technical Data			
过电压类别	Overvoltage Category	III	III II
污染等级	Contamination Class	3	2 2
额定电压	Rated Voltage [V]	400	630 1000
额定电流	Rated Current [A]	12	12 12
额定冲击电压	Impulse withstand voltage [KV]	6	6 6
导线截面积 Conductor cross section	硬质导线 Solid [mm ²]	0.2~2.5	
	柔性导线 Flexible [mm ²]	0.2~2.5	
材料 Material			
绝缘材料	Insulation Material	PA66	
阻燃等级	Flame retardant rating	UL94V-0	
导体材料	Conductor Material	Copper alloy	
导体表面镀层	Plating of conductor surface	Sn plated	
一般参数 Other Data			
间距/极数	Pitch/Poles [mm]/[P]	7.5,2-24/7.62,2-16	
剥线长度	Stripping Length [mm]	9-10	
螺丝/扭矩	Screw/Torque(Max) [N.m]	/	
工作温度	Operating temperature [°C]	-40~+105	
焊接温度	Soldering temperature	/	
引针尺寸	Pin dimensions [mm]	/	
PCB板孔径	PCB Hole Diameter [mm]	/	

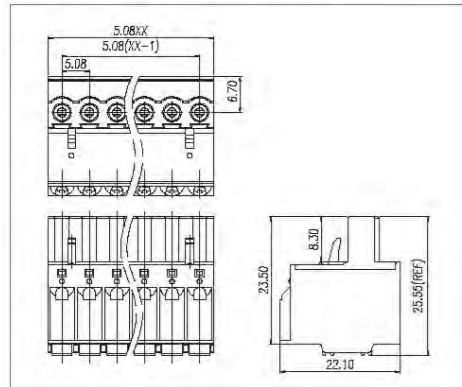




Pitch:5.08mm

WJ2EDGKDH-5.08

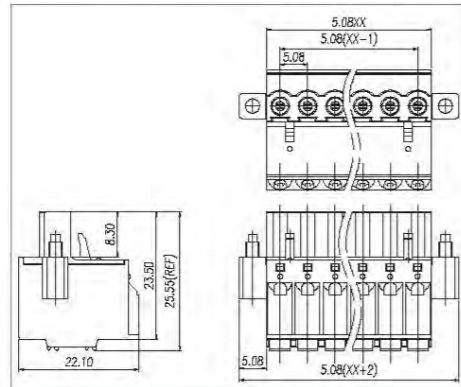
UL/CUL 技术参数 UL/CUL Technical Data		UL/CUL		
等级 Use Group	B C D			
额定电压 Rated Voltage [V]	300 - 300			
额定电流 Rated Current [A]	10 - 10			
接线范围 Wire Range	单芯线 Solid [AWG]	28~12		
	多芯线 Stranded [AWG]	28~12		
耐电压 Dielectric Voltage-Withstand	1.6KV			
IEC 技术参数 IEC Technical Data				
过电压类别 Overvoltage Category	III IIII IIII			
污染等级 Contamination Class	3 2 2			
额定电压 Rated Voltage [V]	320 320 630			
额定电流 Rated Current [A]	12 12 12			
额定冲击电压 Impulse withstand voltage [KV]	4 4 4			
导线截面积 Conductor cross section	硬质导线 Solid [mm ²]	0.2~2.5		
	柔性导线 Flexible [mm ²]	0.2~2.5		
材料 Material				
绝缘材料 Insulation Material	PA66			
阻燃等级 Flame retardant rating	UL94V-0			
导体材料 Conductor Material	Copper alloy			
导体表面镀层 Plating of conductor surface	Sn plated			
一般参数 Other Data				
间距/极数 Pitch/Poles [mm]/[P]	5.08/2~24			
剥线长度 Stripping Length [mm]	9-10			
螺丝/扭矩 Screw/Torque(Max) [N.m]	/			
工作温度 Operating temperature [°C]	-40~+105			
锡焊温度 Soldering temperature	/			
引针尺寸 Pin dimensions [mm]	/			
PCB板孔径 PCB Hole Diameter [mm]	/			



Pitch:5.08mm

WJ2EDGKDHM-5.08

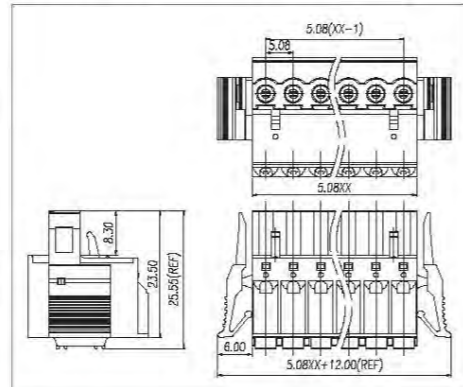
UL/CUL 技术参数 UL/CUL Technical Data		UL/CUL		
等级 Use Group	B C D			
额定电压 Rated Voltage [V]	300 - 300			
额定电流 Rated Current [A]	10 - 10			
接线范围 Wire Range	单芯线 Solid [AWG]	28~12		
	多芯线 Stranded [AWG]	28~12		
耐电压 Dielectric Voltage-Withstand	1.6KV			
IEC 技术参数 IEC Technical Data				
过电压类别 Overvoltage Category	III IIII IIII			
污染等级 Contamination Class	3 2 2			
额定电压 Rated Voltage [V]	320 320 630			
额定电流 Rated Current [A]	12 12 12			
额定冲击电压 Impulse withstand voltage [KV]	4 4 4			
导线截面积 Conductor cross section	硬质导线 Solid [mm ²]	0.2~2.5		
	柔性导线 Flexible [mm ²]	0.2~2.5		
材料 Material				
绝缘材料 Insulation Material	PA66			
阻燃等级 Flame retardant rating	UL94V-0			
导体材料 Conductor Material	Copper alloy			
导体表面镀层 Plating of conductor surface	Sn plated			
一般参数 Other Data				
间距/极数 Pitch/Poles [mm]/[P]	5.08/2~24			
剥线长度 Stripping Length [mm]	9-10			
螺丝/扭矩 Screw/Torque(Max) [N.m]	/			
工作温度 Operating temperature [°C]	-40~+105			
锡焊温度 Soldering temperature	/			
引针尺寸 Pin dimensions [mm]	/			
PCB板孔径 PCB Hole Diameter [mm]	/			



Pitch:5.08mm

WJ2EDGKDHG-5.08

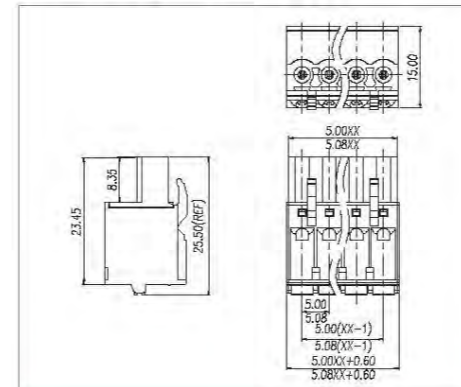
UL/CUL 技术参数 UL/CUL Technical Data		UL/CUL		
等级 Use Group	B C D			
额定电压 Rated Voltage [V]	300 - 300			
额定电流 Rated Current [A]	10 - 10			
接线范围 Wire Range	单芯线 Solid [AWG]	28~12		
	多芯线 Stranded [AWG]	28~12		
耐电压 Dielectric Voltage-Withstand	1.6KV			
IEC 技术参数 IEC Technical Data				
过电压类别 Overvoltage Category	III IIII IIII			
污染等级 Contamination Class	3 2 2			
额定电压 Rated Voltage [V]	320 320 630			
额定电流 Rated Current [A]	12 12 12			
额定冲击电压 Impulse withstand voltage [KV]	4 4 4			
导线截面积 Conductor cross section	硬质导线 Solid [mm ²]	0.2~2.5		
	柔性导线 Flexible [mm ²]	0.2~2.5		
材料 Material				
绝缘材料 Insulation Material	PA66			
阻燃等级 Flame retardant rating	UL94V-0			
导体材料 Conductor Material	Copper alloy			
导体表面镀层 Plating of conductor surface	Sn plated			
一般参数 Other Data				
间距/极数 Pitch/Poles [mm]/[P]	5.08/2~24			
剥线长度 Stripping Length [mm]	9-10			
螺丝/扭矩 Screw/Torque(Max) [N.m]	/			
工作温度 Operating temperature [°C]	-40~+105			
锡焊温度 Soldering temperature	/			
引针尺寸 Pin dimensions [mm]	/			
PCB板孔径 PCB Hole Diameter [mm]	/			



Pitch:5.0/5.08mm

WJ2EDGKDF-5.0/5.08

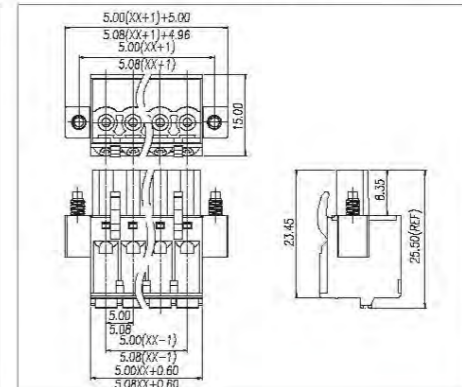
UL/CUL 技术参数 UL/CUL Technical Data		UL/CUL		
等级 Use Group	B C D			
额定电压 Rated Voltage [V]	300 - 300			
额定电流 Rated Current [A]	10 - 10			
接线范围 Wire Range	单芯线 Solid [AWG]	28~12		
	多芯线 Stranded [AWG]	28~12		
耐电压 Dielectric Voltage-Withstand	1.6KV			
IEC 技术参数 IEC Technical Data				
过电压类别 Overvoltage Category	III IIII IIII			
污染等级 Contamination Class	3 2 2			
额定电压 Rated Voltage [V]	320 320 630			
额定电流 Rated Current [A]	12 12 12			
额定冲击电压 Impulse withstand voltage [KV]	4 4 4			
导线截面积 Conductor cross section	硬质导线 Solid [mm ²]	0.2~2.5		
	柔性导线 Flexible [mm ²]	0.2~2.5		
材料 Material				
绝缘材料 Insulation Material	PA66			
阻燃等级 Flame retardant rating	UL94V-0			
导体材料 Conductor Material	Copper alloy			
导体表面镀层 Plating of conductor surface	Sn plated			
一般参数 Other Data				
间距/极数 Pitch/Poles [mm]/[P]	5.0,5.08/2~24			
剥线长度 Stripping Length [mm]	9-10			
螺丝/扭矩 Screw/Torque(Max) [N.m]	/			
工作温度 Operating temperature [°C]	-40~+105			
锡焊温度 Soldering temperature	/			
引针尺寸 Pin dimensions [mm]	/			
PCB板孔径 PCB Hole Diameter [mm]	/			



Pitch:5.0/5.08mm

WJ2EDGKDFM-5.0/5.08

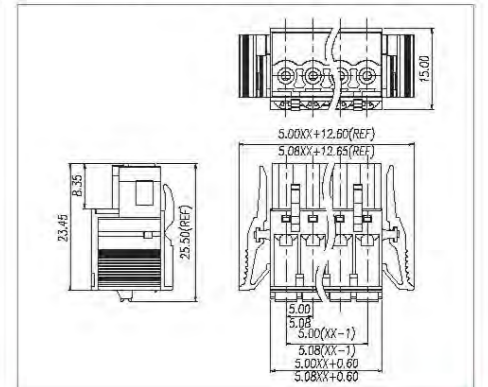
UL/CUL 技术参数 UL/CUL Technical Data		UL/CUL		
等级 Use Group	B C D			
额定电压 Rated Voltage [V]	300 - 300			
额定电流 Rated Current [A]	10 - 10			
接线范围 Wire Range	单芯线 Solid [AWG]	28~12		
	多芯线 Stranded [AWG]	28~12		
耐电压 Dielectric Voltage-Withstand	1.6KV			
IEC 技术参数 IEC Technical Data				
过电压类别 Overvoltage Category	III IIII IIII			
污染等级 Contamination Class	3 2 2			
额定电压 Rated Voltage [V]	320 320 630			
额定电流 Rated Current [A]	12 12 12			
额定冲击电压 Impulse withstand voltage [KV]	4 4 4			
导线截面积 Conductor cross section	硬质导线 Solid [mm ²]	0.2~2.5		
	柔性导线 Flexible [mm ²]	0.2~2.5		
材料 Material				
绝缘材料 Insulation Material	PA66			
阻燃等级 Flame retardant rating	UL94V-0			
导体材料 Conductor Material	Copper alloy			
导体表面镀层 Plating of conductor surface	Sn plated			
一般参数 Other Data				
间距/极数 Pitch/Poles [mm]/[P]	5.0,5.08/2~24			
剥线长度 Stripping Length [mm]	9-10			
螺丝/扭矩 Screw/Torque(Max) [N.m]	/			
工作温度 Operating temperature [°C]	-40~+105			
锡焊温度 Soldering temperature	/			
引针尺寸 Pin dimensions [mm]	/			
PCB板孔径 PCB Hole Diameter [mm]	/			



Pitch:5.0/5.08mm

WJ2EDGKDFG-5.0/5.08

UL/CUL 技术参数 UL/CUL Technical Data		UL/CUL		
等级 Use Group	B C D			
额定电压 Rated Voltage [V]	300 - 300			
额定电流 Rated Current [A]	10 - 10			
接线范围 Wire Range	单芯线 Solid [AWG]	28~12		
	多芯线 Stranded [AWG]	28~12		
耐电压 Dielectric Voltage-Withstand	1.6KV			
IEC 技术参数 IEC Technical Data				
过电压类别 Overvoltage Category	III IIII IIII			
污染等级 Contamination Class	3 2 2			
额定电压 Rated Voltage [V]	320 320 630			
额定电流 Rated Current [A]	12 12 12			
额定冲击电压 Impulse withstand voltage [KV]	4 4 4			
导线截面积 Conductor cross section	硬质导线 Solid [mm ²]	0.2~2.5		
	柔性导线 Flexible [mm ²]	0.2~2.5		
材料 Material				
绝缘材料 Insulation Material	PA66			
阻燃等级 Flame retardant rating	UL94V-0			
导体材料 Conductor Material	Copper alloy			
导体表面镀层 Plating of conductor surface	Sn plated			
一般参数 Other Data				
间距/极数 Pitch/Poles [mm]/[P]	5.0,5.08/2~24			
剥线长度 Stripping Length [mm]	9-10			
螺丝/扭矩 Screw/Torque(Max) [N.m]	/			
工作温度 Operating temperature [°C]	-40~+105			
锡焊温度 Soldering temperature	/			
引针尺寸 Pin dimensions [mm]	/			
PCB板孔径 PCB Hole Diameter [mm]	/			

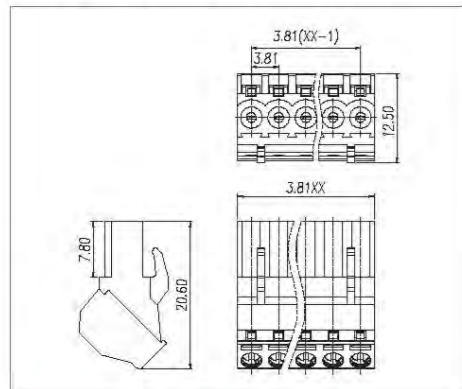




Pitch:3.81mm

WJ2EDGKL-3.81

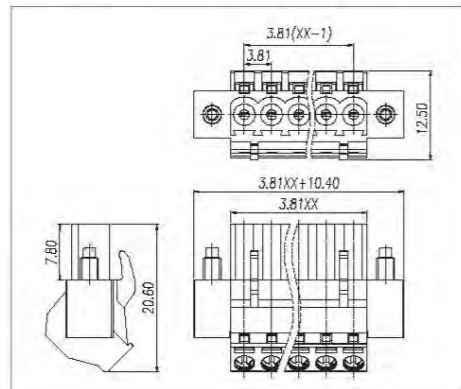
UL/CUL 技术参数 UL/CUL Technical Data		UL
等级 Use Group	B C D	
额定电压 Rated Voltage [V]	300 - 300	
额定电流 Rated Current [A]	8 - 8	
接线范围 Wire Range	单芯线 Solid [AWG] 28~16 多芯线 Stranded [AWG] 28~16	
耐电压 Dielectric Voltage-Withstand	1.6KV	
IEC 技术参数 IEC Technical Data		IEC
过电压类别 Overvoltage Category	III IIII IIIII	
污染等级 Contamination Class	3 2 2	
额定电压 Rated Voltage [V]	160 160 250	
额定电流 Rated Current [A]	7 7 7	
额定冲击电压 Impulse withstand voltage [KV]	2.5 2.5 2.5	
导线截面积 Conductor cross section	硬质导线 Solid [mm ²] 0.2~1.5 柔性导线 Flexible [mm ²] 0.2~1.5	
材料 Material		
绝缘材料 Insulation Material	PA66	
阻燃等级 Flame retardant rating	UL94V-0	
导体材料 Conductor Material	Copper alloy	
导体表面镀层 Plating of conductor surface	Sn plated	
一般参数 Other Data		
间距/极数 Pitch/Poles [mm]/[P]	3.81/2-24	
剥线长度 Stripping Length [mm]	6-7	
螺丝/扭矩 Screw/Torque(Max) [N.m]	M2/0.2	
工作温度 Operating temperature [°C]	-40~+105	
焊接温度 Soldering temperature	/	
引针尺寸 Pin dimensions [mm]	/	
PCB板孔径 PCB Hole Diameter [mm]	/	



Pitch:3.81mm

WJ2EDGKLM-3.81

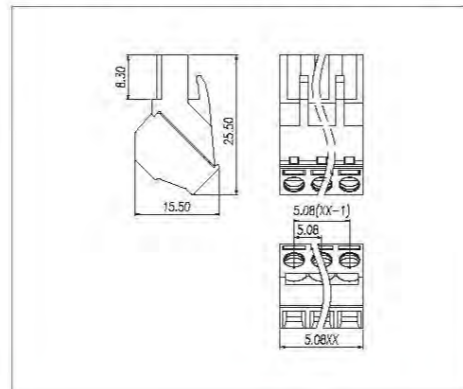
UL/CUL 技术参数 UL/CUL Technical Data		UL
等级 Use Group	B C D	
额定电压 Rated Voltage [V]	300 - 300	
额定电流 Rated Current [A]	8 - 8	
接线范围 Wire Range	单芯线 Solid [AWG] 28~16 多芯线 Stranded [AWG] 28~16	
耐电压 Dielectric Voltage-Withstand	1.6KV	
IEC 技术参数 IEC Technical Data		IEC
过电压类别 Overvoltage Category	III IIII IIIII	
污染等级 Contamination Class	3 2 2	
额定电压 Rated Voltage [V]	160 160 250	
额定电流 Rated Current [A]	7 7 7	
额定冲击电压 Impulse withstand voltage [KV]	2.5 2.5 2.5	
导线截面积 Conductor cross section	硬质导线 Solid [mm ²] 0.2~1.5 柔性导线 Flexible [mm ²] 0.2~1.5	
材料 Material		
绝缘材料 Insulation Material	PA66	
阻燃等级 Flame retardant rating	UL94V-0	
导体材料 Conductor Material	Copper alloy	
导体表面镀层 Plating of conductor surface	Sn plated	
一般参数 Other Data		
间距/极数 Pitch/Poles [mm]/[P]	3.81/2-24	
剥线长度 Stripping Length [mm]	6-7	
螺丝/扭矩 Screw/Torque(Max) [N.m]	M2/0.2	
工作温度 Operating temperature [°C]	-40~+105	
焊接温度 Soldering temperature	/	
引针尺寸 Pin dimensions [mm]	/	
PCB板孔径 PCB Hole Diameter [mm]	/	



Pitch: 5.08mm

WJ2EDGKL-5.08

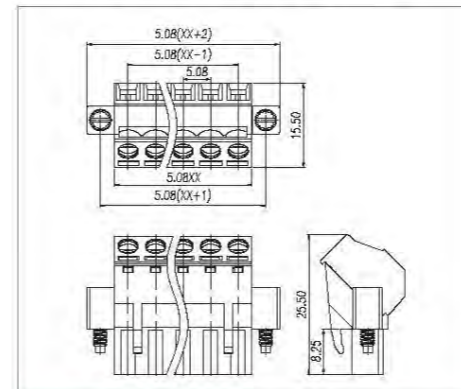
UL/CUL 技术参数 UL/CUL Technical Data		UL
等级 Use Group	B C D	
额定电压 Rated Voltage [V]	300 - 300	
额定电流 Rated Current [A]	15 - 10	
接线范围 Wire Range	单芯线 Solid [AWG] 28~12 多芯线 Stranded [AWG] 28~12	
耐电压 Dielectric Voltage-Withstand	1.6KV	
IEC 技术参数 IEC Technical Data		IEC
过电压类别 Overvoltage Category	III IIII IIIII	
污染等级 Contamination Class	3 2 2	
额定电压 Rated Voltage [V]	250 320 630	
额定电流 Rated Current [A]	15 15 15	
额定冲击电压 Impulse withstand voltage [KV]	4 4 4	
导线截面积 Conductor cross section	硬质导线 Solid [mm ²] 0.2~2.5 柔性导线 Flexible [mm ²] 0.2~2.5	
材料 Material		
绝缘材料 Insulation Material	PA66	
阻燃等级 Flame retardant rating	UL94V-0	
导体材料 Conductor Material	Copper alloy	
导体表面镀层 Plating of conductor surface	Sn plated	
一般参数 Other Data		
间距/极数 Pitch/Poles [mm]/[P]	5.08/2-24	
剥线长度 Stripping Length [mm]	7~8	
螺丝/扭矩 Screw/Torque(Max) [N.m]	M3/0.5	
工作温度 Operating temperature [°C]	-40~+105	
焊接温度 Soldering temperature	/	
引针尺寸 Pin dimensions [mm]	/	
PCB板孔径 PCB Hole Diameter [mm]	/	



Pitch:5.08mm

WJ2EDGKLM-5.08

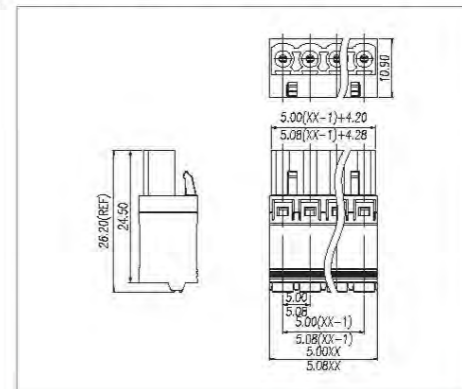
UL/CUL 技术参数 UL/CUL Technical Data		UL
等级 Use Group	B C D	
额定电压 Rated Voltage [V]	300 - 300	
额定电流 Rated Current [A]	15 - 10	
接线范围 Wire Range	单芯线 Solid [AWG] 28~12 多芯线 Stranded [AWG] 28~12	
耐电压 Dielectric Voltage-Withstand	1.6KV	
IEC 技术参数 IEC Technical Data		IEC
过电压类别 Overvoltage Category	III IIII IIIII	
污染等级 Contamination Class	3 2 2	
额定电压 Rated Voltage [V]	250 320 630	
额定电流 Rated Current [A]	15 15 15	
额定冲击电压 Impulse withstand voltage [KV]	4 4 4	
导线截面积 Conductor cross section	硬质导线 Solid [mm ²] 0.2~2.5 柔性导线 Flexible [mm ²] 0.2~2.5	
材料 Material		
绝缘材料 Insulation Material	PA66	
阻燃等级 Flame retardant rating	UL94V-0	
导体材料 Conductor Material	Copper alloy	
导体表面镀层 Plating of conductor surface	Sn plated	
一般参数 Other Data		
间距/极数 Pitch/Poles [mm]/[P]	5.08/2-24	
剥线长度 Stripping Length [mm]	7~8	
螺丝/扭矩 Screw/Torque(Max) [N.m]	M3/0.5	
工作温度 Operating temperature [°C]	-40~+105	
焊接温度 Soldering temperature	/	
引针尺寸 Pin dimensions [mm]	/	
PCB板孔径 PCB Hole Diameter [mm]	/	



Pitch:5.0/5.08mm

WJ2EDGKN-5.0/5.08

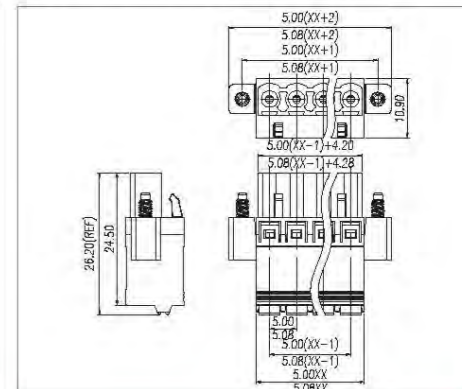
UL/CUL 技术参数 UL/CUL Technical Data		UL
等级 Use Group	B C D	
额定电压 Rated Voltage [V]	300 - 300	
额定电流 Rated Current [A]	12 - 10	
接线范围 Wire Range	单芯线 Solid [AWG] 24~16 多芯线 Stranded [AWG] 24~16	
耐电压 Dielectric Voltage-Withstand	1.6KV	
IEC 技术参数 IEC Technical Data		IEC
过电压类别 Overvoltage Category	III IIII IIIII	
污染等级 Contamination Class	3 2 2	
额定电压 Rated Voltage [V]	320 320 630	
额定电流 Rated Current [A]	12 12 12	
额定冲击电压 Impulse withstand voltage [KV]	4 4 4	
导线截面积 Conductor cross section	硬质导线 Solid [mm ²] 0.2~1.5 柔性导线 Flexible [mm ²] 0.2~2.5	
材料 Material		
绝缘材料 Insulation Material	PA66	
阻燃等级 Flame retardant rating	UL94V-0	
导体材料 Conductor Material	Copper alloy	
导体表面镀层 Plating of conductor surface	Sn plated	
一般参数 Other Data		
间距/极数 Pitch/Poles [mm]/[P]	5.0, 5.08/2-24	
剥线长度 Stripping Length [mm]	11~12	
螺丝/扭矩 Screw/Torque(Max) [N.m]	/	
工作温度 Operating temperature [°C]	-40~+105	
焊接温度 Soldering temperature	/	
引针尺寸 Pin dimensions [mm]	/	
PCB板孔径 PCB Hole Diameter [mm]	/	



Pitch:5.0/5.08mm

WJ2EDGKNM-5.0/5.08

UL/CUL 技术参数 UL/CUL Technical Data		UL
等级 Use Group	B C D	
额定电压 Rated Voltage [V]	300 - 300	
额定电流 Rated Current [A]	12 - 10	
接线范围 Wire Range	单芯线 Solid [AWG] 24~16 多芯线 Stranded [AWG] 24~16	
耐电压 Dielectric Voltage-Withstand	1.6KV	
IEC 技术参数 IEC Technical Data		IEC
过电压类别 Overvoltage Category	III IIII IIIII	
污染等级 Contamination Class	3 2 2	
额定电压 Rated Voltage [V]	320 320 630	
额定电流 Rated Current [A]	12 12 12	
额定冲击电压 Impulse withstand voltage [KV]	4 4 4	
导线截面积 Conductor cross section	硬质导线 Solid [mm ²] 0.2~1.5 柔性导线 Flexible [mm ²] 0.2~2.5	
材料 Material		
绝缘材料 Insulation Material	PA66	
阻燃等级 Flame retardant rating	UL94V-0	
导体材料 Conductor Material	Copper alloy	
导体表面镀层 Plating of conductor surface	Sn plated	
一般参数 Other Data		
间距/极数 Pitch/Poles [mm]/[P]	5.0, 5.08/2-24	
剥线长度 Stripping Length [mm]	11~12	
螺丝/扭矩 Screw/Torque(Max) [N.m]	/	
工作温度 Operating temperature [°C]	-40~+105	
焊接温度 Soldering temperature	/	
引针尺寸 Pin dimensions [mm]	/	
PCB板孔径 PCB Hole Diameter [mm]	/	

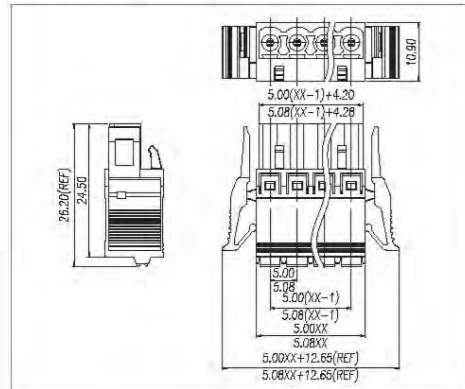




Pitch: 5.0/5.08mm

WJ2EDGKNG-5.0/5.08

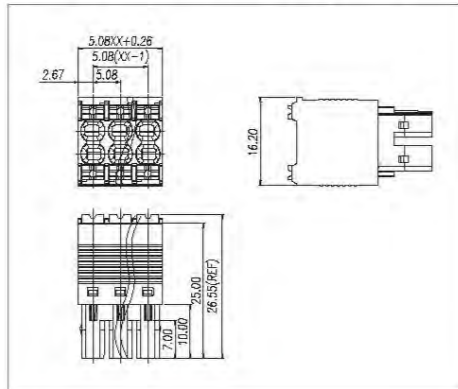
UL/CUL 技术参数 UL/CUL Technical Data			
等级 Use Group	B	C	D
额定电压 Rated Voltage [V]	300	-	300
额定电流 Rated Current [A]	12	-	10
接线范围 Wire Range	单芯线 Solid [AWG]	24~16	
	多芯线 Stranded [AWG]	24~16	
耐电压 Dielectric Voltage-Withstand	1.6KV		
IEC 技术参数 IEC Technical Data			
过电压类别 Overvoltage Category	III	II	I
污染等级 Contamination Class	3	2	2
额定电压 Rated Voltage [V]	320	320	630
额定电流 Rated Current [A]	12	12	12
额定冲击电压 Impulse withstand voltage [kV]	4	4	4
导线截面积 Conductor cross section	硬质导线 Solid [mm ²]	0.2~1.5	
	柔性导线 Flexible [mm ²]	0.2~2.5	
材料 Material			
绝缘材料 Insulation Material	PA66		
阻燃等级 Flame retardant rating	UL94V-0		
导体材料 Conductor Material	Copper alloy		
导体表面镀层 Plating of conductor surface	Sn plated		
一般参数 Other Data			
间距/极数 Pitch/Poles [mm]/[P]	5.0, 5.08/2~24		
剥线长度 Stripping Length [mm]	11~12		
螺丝/扭矩 Screw/Torque(Max) [N.m]	/		
工作温度 Operating temperature [°C]	-40~+105		
焊接温度 Soldering temperature	/		
引脚尺寸 Pin dimensions [mm]	/		
PCB板孔径 PCB Hole Diameter [mm]	/		



Pitch: 5.08mm

WJ2EDGKNH-5.08

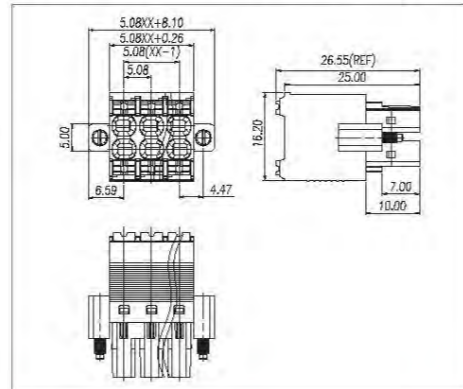
UL/CUL 技术参数 UL/CUL Technical Data			
等级 Use Group	B	C	D
额定电压 Rated Voltage [V]	300	-	300
额定电流 Rated Current [A]	10	-	10
接线范围 Wire Range	单芯线 Solid [AWG]	24~16	
	多芯线 Stranded [AWG]	24~16	
耐电压 Dielectric Voltage-Withstand	1.6KV		
IEC 技术参数 IEC Technical Data			
过电压类别 Overvoltage Category	III	II	I
污染等级 Contamination Class	3	2	2
额定电压 Rated Voltage [V]	250	400	630
额定电流 Rated Current [A]	8	8	8
额定冲击电压 Impulse withstand voltage [kV]	4	4	4
导线截面积 Conductor cross section	硬质导线 Solid [mm ²]	0.2~1.5	
	柔性导线 Flexible [mm ²]	0.2~1.5	
材料 Material			
绝缘材料 Insulation Material	PA66		
阻燃等级 Flame retardant rating	UL94V-0		
导体材料 Conductor Material	Copper alloy		
导体表面镀层 Plating of conductor surface	Sn plated		
一般参数 Other Data			
间距/极数 Pitch/Poles [mm]/[P]	5.08/2*2~2*18		
剥线长度 Stripping Length [mm]	9~10		
螺丝/扭矩 Screw/Torque(Max) [N.m]	/		
工作温度 Operating temperature [°C]	-40~+105		
焊接温度 Soldering temperature	/		
引脚尺寸 Pin dimensions [mm]	/		
PCB板孔径 PCB Hole Diameter [mm]	/		



Pitch: 5.08mm

WJ2EDGKNHM-5.08

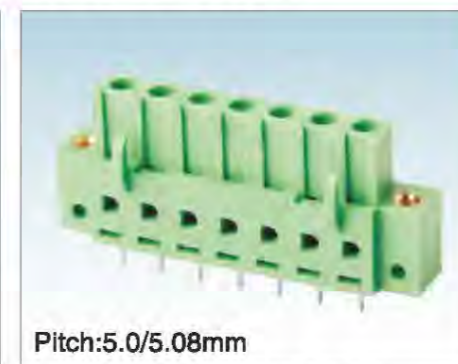
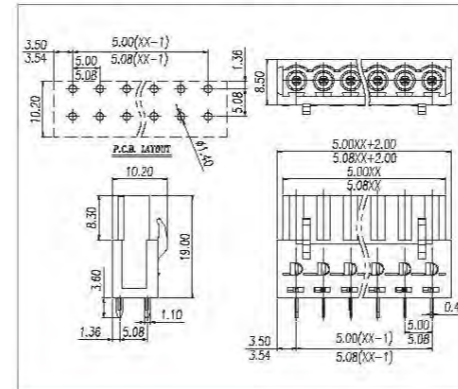
UL/CUL 技术参数 UL/CUL Technical Data			
等级 Use Group	B	C	D
额定电压 Rated Voltage [V]	300	-	300
额定电流 Rated Current [A]	10	-	10
接线范围 Wire Range	单芯线 Solid [AWG]	24~16	
	多芯线 Stranded [AWG]	24~16	
耐电压 Dielectric Voltage-Withstand	1.6KV		
IEC 技术参数 IEC Technical Data			
过电压类别 Overvoltage Category	III	II	I
污染等级 Contamination Class	3	2	2
额定电压 Rated Voltage [V]	250	400	630
额定电流 Rated Current [A]	8	8	8
额定冲击电压 Impulse withstand voltage [kV]	4	4	4
导线截面积 Conductor cross section	硬质导线 Solid [mm ²]	0.2~1.5	
	柔性导线 Flexible [mm ²]	0.2~1.5	
材料 Material			
绝缘材料 Insulation Material	PA66		
阻燃等级 Flame retardant rating	UL94V-0		
导体材料 Conductor Material	Copper alloy		
导体表面镀层 Plating of conductor surface	Sn plated		
一般参数 Other Data			
间距/极数 Pitch/Poles [mm]/[P]	5.08/2*2~2*18		
剥线长度 Stripping Length [mm]	9~10		
螺丝/扭矩 Screw/Torque(Max) [N.m]	/		
工作温度 Operating temperature [°C]	-40~+105		
焊接温度 Soldering temperature	/		
引脚尺寸 Pin dimensions [mm]	/		
PCB板孔径 PCB Hole Diameter [mm]	/		



Pitch: 5.0/5.08mm

WJ2EDGB-5.0/5.08

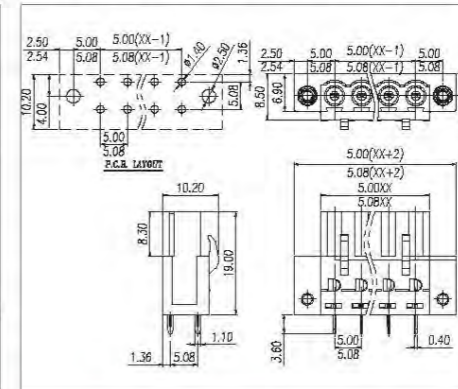
UL/CUL 技术参数 UL/CUL Technical Data			
等级 Use Group	B	C	D
额定电压 Rated Voltage [V]	300	-	300
额定电流 Rated Current [A]	15	-	10
接线范围 Wire Range	单芯线 Solid [AWG]	/	
	多芯线 Stranded [AWG]	/	
耐电压 Dielectric Voltage-Withstand	1.6KV		
IEC 技术参数 IEC Technical Data			
过电压类别 Overvoltage Category	III	II	I
污染等级 Contamination Class	3	2	2
额定电压 Rated Voltage [V]	320	320	630
额定电流 Rated Current [A]	12	12	12
额定冲击电压 Impulse withstand voltage [kV]	4	4	4
导线截面积 Conductor cross section	硬质导线 Solid [mm ²]	/	
	柔性导线 Flexible [mm ²]	/	
材料 Material			
绝缘材料 Insulation Material	PA66		
阻燃等级 Flame retardant rating	UL94V-0		
导体材料 Conductor Material	Copper alloy		
导体表面镀层 Plating of conductor surface	Sn plated		
一般参数 Other Data			
间距/极数 Pitch/Poles [mm]/[P]	5.0, 5.08/2~24		
剥线长度 Stripping Length [mm]	/		
螺丝/扭矩 Screw/Torque(Max) [N.m]	/		
工作温度 Operating temperature [°C]	-40~+105		
焊接温度 Soldering temperature	260°C /5S		
引脚尺寸 Pin dimensions [mm]	0.4*1.1		
PCB板孔径 PCB Hole Diameter [mm]	Ø1.4		



Pitch: 5.0/5.08mm

WJ2EDGBM-5.0/5.08

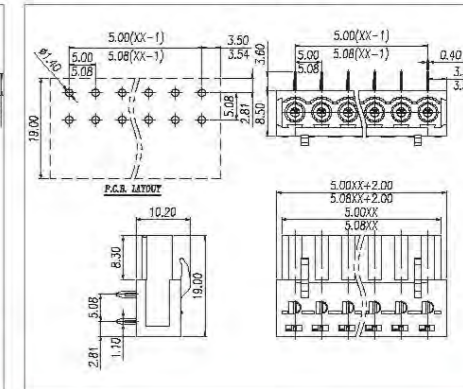
UL/CUL 技术参数 UL/CUL Technical Data			
等级 Use Group	B	C	D
额定电压 Rated Voltage [V]	300	-	300
额定电流 Rated Current [A]	15	-	10
接线范围 Wire Range	单芯线 Solid [AWG]	/	
	多芯线 Stranded [AWG]	/	
耐电压 Dielectric Voltage-Withstand	1.6KV		
IEC 技术参数 IEC Technical Data			
过电压类别 Overvoltage Category	III	II	I
污染等级 Contamination Class	3	2	2
额定电压 Rated Voltage [V]	320	320	630
额定电流 Rated Current [A]	12	12	12
额定冲击电压 Impulse withstand voltage [kV]	4	4	4
导线截面积 Conductor cross section	硬质导线 Solid [mm ²]	/	
	柔性导线 Flexible [mm ²]	/	
材料 Material			
绝缘材料 Insulation Material	PA66		
阻燃等级 Flame retardant rating	UL94V-0		
导体材料 Conductor Material	Copper alloy		
导体表面镀层 Plating of conductor surface	Sn plated		
一般参数 Other Data			
间距/极数 Pitch/Poles [mm]/[P]	5.0, 5.08/2~24		
剥线长度 Stripping Length [mm]	/		
螺丝/扭矩 Screw/Torque(Max) [N.m]	/		
工作温度 Operating temperature [°C]	-40~+105		
焊接温度 Soldering temperature	260°C /5S		
引脚尺寸 Pin dimensions [mm]	0.4*1.1		
PCB板孔径 PCB Hole Diameter [mm]	Ø1.4		



Pitch: 5.0/5.08mm

WJ2EDGA-5.0/5.08

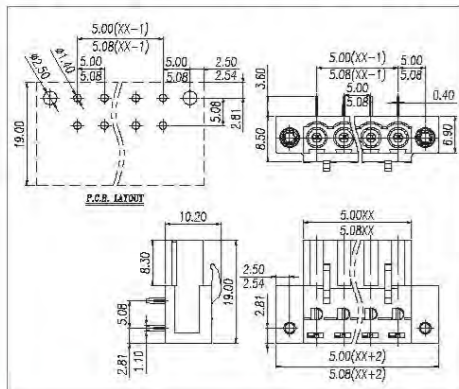
UL/CUL 技术参数 UL/CUL Technical Data			
等级 Use Group	B	C	D
额定电压 Rated Voltage [V]	300	-	300
额定电流 Rated Current [A]	15	-	10
接线范围 Wire Range	单芯线 Solid [AWG]	/	
	多芯线 Stranded [AWG]	/	
耐电压 Dielectric Voltage-Withstand	1.6KV		
IEC 技术参数 IEC Technical Data			
过电压类别 Overvoltage Category	III	II	I
污染等级 Contamination Class	3	2	2
额定电压 Rated Voltage [V]	320	320	630
额定电流 Rated Current [A]	12	12	12
额定冲击电压 Impulse withstand voltage [kV]	4	4	4
导线截面积 Conductor cross section	硬质导线 Solid [mm ²]	/	
	柔性导线 Flexible [mm ²]	/	
材料 Material			
绝缘材料 Insulation Material	PA66		
阻燃等级 Flame retardant rating	UL94V-0		
导体材料 Conductor Material	Copper alloy		
导体表面镀层 Plating of conductor surface	Sn plated		
一般参数 Other Data			
间距/极数 Pitch/Poles [mm]/[P]	5.0, 5.08/2~24		
剥线长度 Stripping Length [mm]	/		
螺丝/扭矩 Screw/Torque(Max) [N.m]	/		
工作温度 Operating temperature [°C]	-40~+105		
焊接温度 Soldering temperature	260°C /5S		
引脚尺寸 Pin dimensions [mm]	0.4*1.1		
PCB板孔径 PCB Hole Diameter [mm]	Ø1.4		





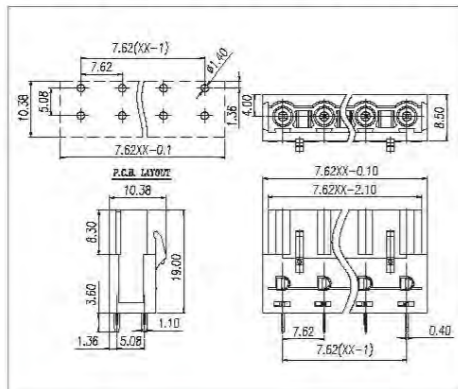
Pitch:5.0/5.08mm
WJ2EDGAM-5.0/5.08

UL/CUL 技术参数 UL/CUL Technical Data		UL	
等级 Use Group	B C D		
额定电压 Rated Voltage [V]	300 - 300		
额定电流 Rated Current [A]	15 - 10		
接线范围 Wire Range	单芯线 Solid [AWG]	/	
	多芯线 Stranded [AWG]	/	
耐电压 Dielectric Voltage-Withstand	1.6KV		
IEC 技术参数 IEC Technical Data		IEC	
过电压类别 Overvoltage Category	III IIII IIII		
污染等级 Contamination Class	3 2 2		
额定电压 Rated Voltage [V]	320 320 630		
额定电流 Rated Current [A]	12 12 12		
额定冲击电压 Impulse withstand voltage [KV]	4 4 4		
导线截面积 Conductor cross section	硬质导线 Solid [mm ²]	/	
	柔性导线 Flexible [mm ²]	/	
材料 Material		PA66	
绝缘材料 Insulation Material	PA66		
阻燃等级 Flame retardant rating	UL94V-0		
导体材料 Conductor Material	Copper alloy		
导体表面镀层 Plating of conductor surface	Sn plated		
一般参数 Other Data			
间距/极数 Pitch/Poles [mm]/[P]	5.0,5.08/2~24		
剥线长度 Stripping Length [mm]	/		
螺丝/扭矩 Screw/Torque(Max) [N.m]	/		
工作温度 Operating temperature [°C]	-40~+105		
焊锡温度 Soldering temperature	260°C /5S		
引针尺寸 Pin dimensions [mm]	0.4*1.1		
PCB板孔径 PCB Hole Diameter [mm]	Ø1.4		



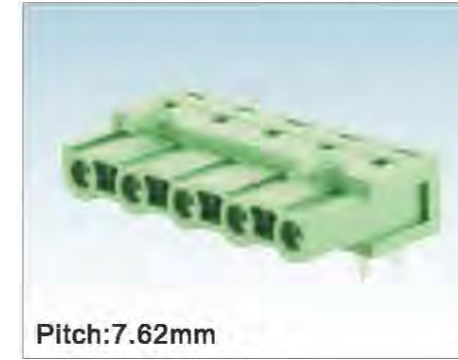
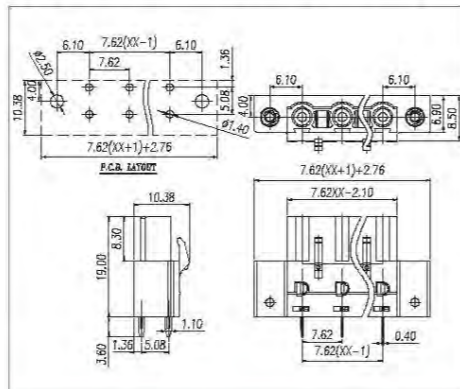
Pitch:7.62mm
WJ2EDGB-7.62

UL/CUL 技术参数 UL/CUL Technical Data		UL	
等级 Use Group	B C D		
额定电压 Rated Voltage [V]	300 - 300		
额定电流 Rated Current [A]	15 - 10		
接线范围 Wire Range	单芯线 Solid [AWG]	/	
	多芯线 Stranded [AWG]	/	
耐电压 Dielectric Voltage-Withstand	1.6KV		
IEC 技术参数 IEC Technical Data		IEC	
过电压类别 Overvoltage Category	III IIII IIII		
污染等级 Contamination Class	3 2 2		
额定电压 Rated Voltage [V]	500 630/1000		
额定电流 Rated Current [A]	12 12 12		
额定冲击电压 Impulse withstand voltage [KV]	6 6 6		
导线截面积 Conductor cross section	硬质导线 Solid [mm ²]	/	
	柔性导线 Flexible [mm ²]	/	
材料 Material		PA66	
绝缘材料 Insulation Material	PA66		
阻燃等级 Flame retardant rating	UL94V-0		
导体材料 Conductor Material	Copper alloy		
导体表面镀层 Plating of conductor surface	Sn plated		
一般参数 Other Data			
间距/极数 Pitch/Poles [mm]/[P]	7.62/2~16		
剥线长度 Stripping Length [mm]	/		
螺丝/扭矩 Screw/Torque(Max) [N.m]	/		
工作温度 Operating temperature [°C]	-40~+105		
焊锡温度 Soldering temperature	260°C /5S		
引针尺寸 Pin dimensions [mm]	0.4*1.1		
PCB板孔径 PCB Hole Diameter [mm]	Ø1.4		



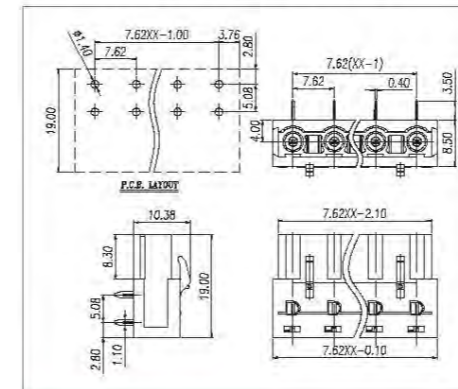
Pitch:7.62mm
WJ2EDGBM-7.62

UL/CUL 技术参数 UL/CUL Technical Data		UL	
等级 Use Group	B C D		
额定电压 Rated Voltage [V]	300 - 300		
额定电流 Rated Current [A]	15 - 10		
接线范围 Wire Range	单芯线 Solid [AWG]	/	
	多芯线 Stranded [AWG]	/	
耐电压 Dielectric Voltage-Withstand	1.6KV		
IEC 技术参数 IEC Technical Data		IEC	
过电压类别 Overvoltage Category	III IIII IIII		
污染等级 Contamination Class	3 2 2		
额定电压 Rated Voltage [V]	500 630/1000		
额定电流 Rated Current [A]	12 12 12		
额定冲击电压 Impulse withstand voltage [KV]	6 6 6		
导线截面积 Conductor cross section	硬质导线 Solid [mm ²]	/	
	柔性导线 Flexible [mm ²]	/	
材料 Material		PA66	
绝缘材料 Insulation Material	PA66		
阻燃等级 Flame retardant rating	UL94V-0		
导体材料 Conductor Material	Copper alloy		
导体表面镀层 Plating of conductor surface	Sn plated		
一般参数 Other Data			
间距/极数 Pitch/Poles [mm]/[P]	7.62/2~16		
剥线长度 Stripping Length [mm]	/		
螺丝/扭矩 Screw/Torque(Max) [N.m]	/		
工作温度 Operating temperature [°C]	-40~+105		
焊锡温度 Soldering temperature	260°C /5S		
引针尺寸 Pin dimensions [mm]	0.4*1.1		
PCB板孔径 PCB Hole Diameter [mm]	Ø1.4		



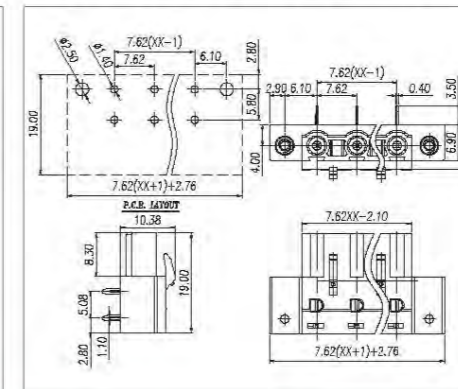
Pitch:7.62mm
WJ2EDGA-7.62

UL/CUL 技术参数 UL/CUL Technical Data		UL	
等级 Use Group	B C D		
额定电压 Rated Voltage [V]	300 - 300		
额定电流 Rated Current [A]	15 - 10		
接线范围 Wire Range	单芯线 Solid [AWG]	/	
	多芯线 Stranded [AWG]	/	
耐电压 Dielectric Voltage-Withstand	1.6KV		
IEC 技术参数 IEC Technical Data		IEC	
过电压类别 Overvoltage Category	III IIII IIII		
污染等级 Contamination Class	3 2 2		
额定电压 Rated Voltage [V]	500 630/1000		
额定电流 Rated Current [A]	12 12 12		
额定冲击电压 Impulse withstand voltage [KV]	6 6 6		
导线截面积 Conductor cross section	硬质导线 Solid [mm ²]	/	
	柔性导线 Flexible [mm ²]	/	
材料 Material		PA66	
绝缘材料 Insulation Material	PA66		
阻燃等级 Flame retardant rating	UL94V-0		
导体材料 Conductor Material	Copper alloy		
导体表面镀层 Plating of conductor surface	Sn plated		
一般参数 Other Data			
间距/极数 Pitch/Poles [mm]/[P]	7.62/2~16		
剥线长度 Stripping Length [mm]	/		
螺丝/扭矩 Screw/Torque(Max) [N.m]	/		
工作温度 Operating temperature [°C]	-40~+105		
焊锡温度 Soldering temperature	260°C /5S		
引针尺寸 Pin dimensions [mm]	0.4*1.1		
PCB板孔径 PCB Hole Diameter [mm]	Ø1.4		



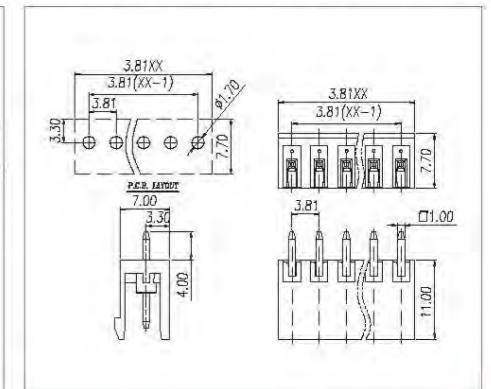
Pitch:7.62mm
WJ2EDGAM-7.62

UL/CUL 技术参数 UL/CUL Technical Data		UL	
等级 Use Group	B C D		
额定电压 Rated Voltage [V]	300 - 300		
额定电流 Rated Current [A]	15 - 10		
接线范围 Wire Range	单芯线 Solid [AWG]	/	
	多芯线 Stranded [AWG]	/	
耐电压 Dielectric Voltage-Withstand	1.6KV		
IEC 技术参数 IEC Technical Data		IEC	
过电压类别 Overvoltage Category	III IIII IIII		
污染等级 Contamination Class	3 2 2		
额定电压 Rated Voltage [V]	500 630/1000		
额定电流 Rated Current [A]	12 12 12		
额定冲击电压 Impulse withstand voltage [KV]	6 6 6		
导线截面积 Conductor cross section	硬质导线 Solid [mm ²]	/	
	柔性导线 Flexible [mm ²]	/	
材料 Material		PA66	
绝缘材料 Insulation Material	PA66		
阻燃等级 Flame retardant rating	UL94V-0		
导体材料 Conductor Material	Copper alloy		
导体表面镀层 Plating of conductor surface	Sn plated		
一般参数 Other Data			
间距/极数 Pitch/Poles [mm]/[P]	7.62/2~16		
剥线长度 Stripping Length [mm]	/		
螺丝/扭矩 Screw/Torque(Max) [N.m]	/		
工作温度 Operating temperature [°C]	-40~+105		
焊锡温度 Soldering temperature	260°C /5S		
引针尺寸 Pin dimensions [mm]	0.4*1.1		
PCB板孔径 PCB Hole Diameter [mm]	Ø1.4		



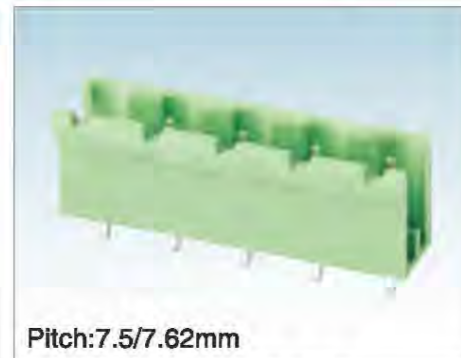
Pitch:3.81mm
WJ2EDGV-3.81

UL/CUL 技术参数 UL/CUL Technical Data		UL	
等级 Use Group	B C D		
额定电压 Rated Voltage [V]	300 - 300		
额定电流 Rated Current [A]	8 - 8		
接线范围 Wire Range	单芯线 Solid [AWG]	/	
	多芯线 Stranded [AWG]	/	
耐电压 Dielectric Voltage-Withstand	1.6KV		
IEC 技术参数 IEC Technical Data		IEC	
过电压类别 Overvoltage Category	III IIII IIII		
污染等级 Contamination Class	3 2 2		
额定电压 Rated Voltage [V]	160 160 250		
额定电流 Rated Current [A]	7 7 7		
额定冲击电压 Impulse withstand voltage [KV]	2.5 2.5 2.5		
导线截面积 Conductor cross section	硬质导线 Solid [mm ²]	/	
	柔性导线 Flexible [mm ²]	/	
材料 Material		PA66	
绝缘材料 Insulation Material	PA66		
阻燃等级 Flame retardant rating	UL94V-0		
导体材料 Conductor Material	Copper alloy		
导体表面镀层 Plating of conductor surface	Sn plated		
一般参数 Other Data			
间距/极数 Pitch/Poles [mm]/[P]	3.81/2-24		
剥线长度 Stripping Length [mm]	/		
螺丝/扭矩 Screw/Torque(Max) [N.m]	/		
工作温度 Operating temperature [°C]	-40~+105		
焊锡温度 Soldering temperature	260°C /5S		
引针尺寸 Pin dimensions [mm]	1.0*1.0		
PCB板孔径 PCB Hole Diameter [mm]	Ø1.7		

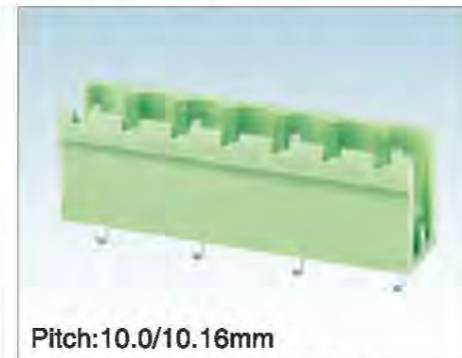




Pitch:5.0/5.08mm



Pitch:7.5/7.62mm



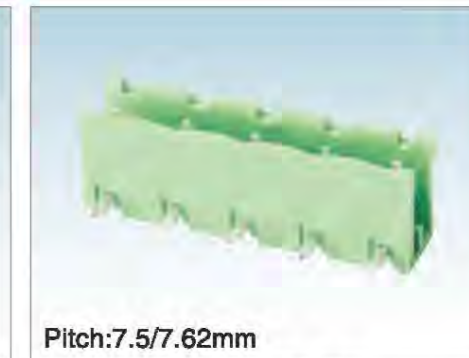
Pitch:10.0/10.16mm



Pitch:3.81mm



Pitch:5.0/5.08mm



Pitch:7.5/7.62mm

WJ2EDGV-5.0/5.08

WJ2EDGV-7.5/7.62

WJ2EDGV-10.0/10.16

WJ2EDGR-3.81

WJ2EDGR-5.0/5.08

WJ2EDGR-7.5/7.62

UL/CUL 技术参数 UL/CUL Technical Data									
等级	Use Group	B	C	D					
额定电压	Rated Voltage [V]	300	-	300					
额定电流	Rated Current [A]	15	-	10					
接线范围 Wire Range	单芯线 Solid [AWG]	/							
	多芯线 Stranded [AWG]	/							
耐压	Dielectric Voltage-Withstand	1.6KV							
IEC 技术参数 IEC Technical Data									
过电压类别	Overvoltage Category	III	II	II					
污染等级	Contamination Class	3	2	2					
额定电压	Rated Voltage [V]	250	320	630					
额定电流	Rated Current [A]	15	15	15					
额定冲击电压	Impulse withstand voltage [KV]	4	4	4					
导线截面积 Conductor cross section	硬质导线 Solid [mm ²]	/							
	柔性导线 Flexible [mm ²]	/							
材料 Material									
绝缘材料	Insulation Material	PA66							
阻燃等级	Flame retardant rating	UL94V-0							
导体材料	Conductor Material	Copper alloy							
导体表面镀层	Plating of conductor surface	Sn plated							
一般参数 Other Data									
间距/极数	Pitch/Poles [mm]/[P]	5.0,5.08/2-24							
剥线长度	Stripping Length [mm]	/							
螺丝/扭矩	Screw/Torque(Max)[N.m]	/							
工作温度	Operating temperature [°C]	-40~+105							
焊接温度	Soldering temperature	260°C /5S							
引针尺寸	Pin dimensions [mm]	1.0*1.0							
PCB板孔径	PCB Hole Diameter [mm]	Ø1.7							

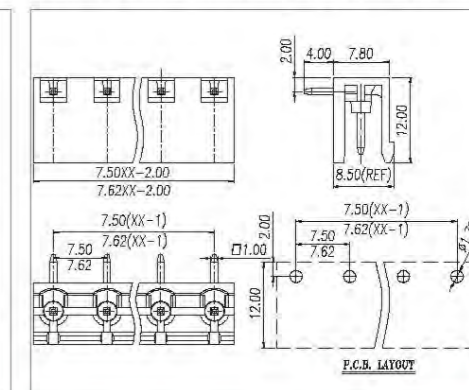
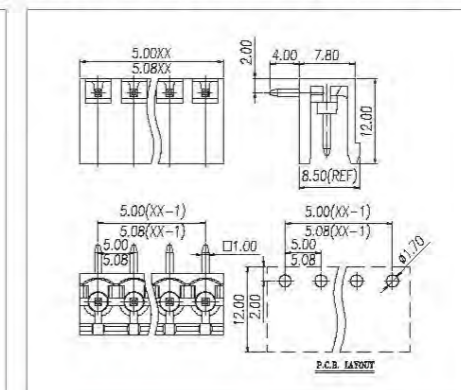
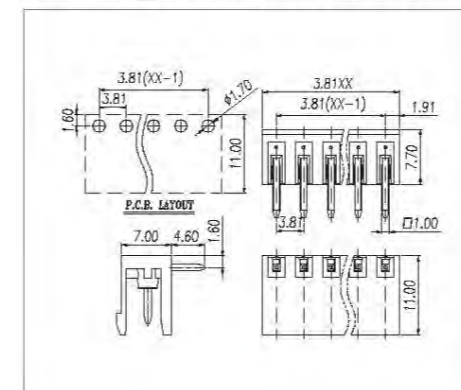
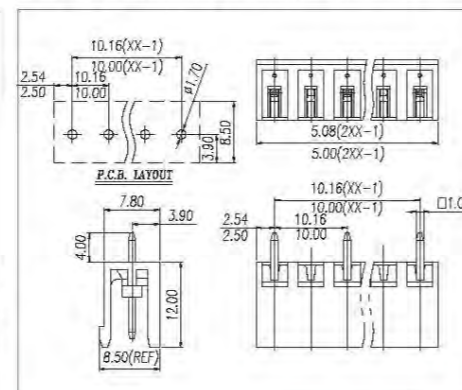
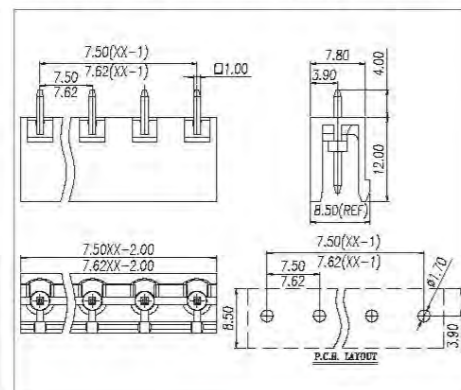
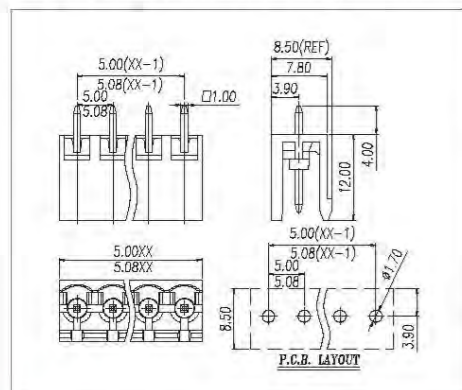
UL/CUL 技术参数 UL/CUL Technical Data									
等级	Use Group	B	C	D					
额定电压	Rated Voltage [V]	300	-	300					
额定电流	Rated Current [A]	15	-	10					
接线范围 Wire Range	单芯线 Solid [AWG]	/							
	多芯线 Stranded [AWG]	/							
耐压	Dielectric Voltage-Withstand	1.6KV							
IEC 技术参数 IEC Technical Data									
过电压类别	Overvoltage Category	III	II	II					
污染等级	Contamination Class	3	2	2					
额定电压	Rated Voltage [V]	400	630	630					
额定电流	Rated Current [A]	15	15	15					
额定冲击电压	Impulse withstand voltage [KV]	6	6	6					
导线截面积 Conductor cross section	硬质导线 Solid [mm ²]	/							
	柔性导线 Flexible [mm ²]	/							
材料 Material									
绝缘材料	Insulation Material	PA66							
阻燃等级	Flame retardant rating	UL94V-0							
导体材料	Conductor Material	Copper alloy							
导体表面镀层	Plating of conductor surface	Sn plated							
一般参数 Other Data									
间距/极数	Pitch/Poles [mm]/[P]	7.5,7.62/2-24							
剥线长度	Stripping Length [mm]	/							
螺丝/扭矩	Screw/Torque(Max)[N.m]	/							
工作温度	Operating temperature [°C]	-40~+105							
焊接温度	Soldering temperature	260°C /5S							
引针尺寸	Pin dimensions [mm]	1.0*1.0							
PCB板孔径	PCB Hole Diameter [mm]	Ø1.7							

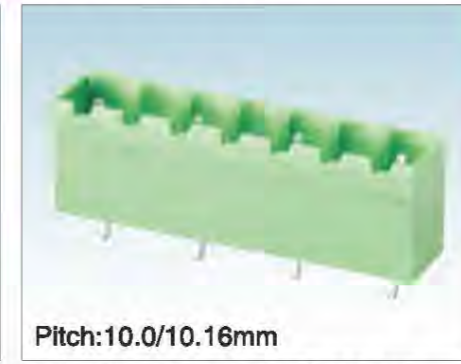
UL/CUL 技术参数 UL/CUL Technical Data									
等级	Use Group	B	C	D					
额定电压	Rated Voltage [V]	600	-	600					
额定电流	Rated Current [A]	15	-	5					
接线范围 Wire Range	单芯线 Solid [AWG]	/							
	多芯线 Stranded [AWG]	/							
耐压	Dielectric Voltage-Withstand	2.2KV							
IEC 技术参数 IEC Technical Data									
过电压类别	Overvoltage Category	III	II	II					
污染等级	Contamination Class	3	2	2					
额定电压	Rated Voltage [V]	630	1000	1000					
额定电流	Rated Current [A]	15	15	15					
额定冲击电压	Impulse withstand voltage [KV]	6	6	6					
导线截面积 Conductor cross section	硬质导线 Solid [mm ²]	/							
	柔性导线 Flexible [mm ²]	/							
材料 Material									
绝缘材料	Insulation Material	PA66							
阻燃等级	Flame retardant rating	UL94V-0							
导体材料	Conductor Material	Copper alloy							
导体表面镀层	Plating of conductor surface	Sn plated							
一般参数 Other Data									
间距/极数	Pitch/Poles [mm]/[P]	10.0,10.16/2-12							
剥线长度	Stripping Length [mm]	/							
螺丝/扭矩	Screw/Torque(Max)[N.m]	/							
工作温度	Operating temperature [°C]	-40~+105							
焊接温度	Soldering temperature	260°C /5S							
引针尺寸	Pin dimensions [mm]	1.0*1.0							
PCB板孔径	PCB Hole Diameter [mm]	Ø1.7							

UL/CUL 技术参数 UL/CUL Technical Data									
等级	Use Group	B	C	D					
额定电压	Rated Voltage [V]	300	-	300					
额定电流	Rated Current [A]	8	-	8					
接线范围 Wire Range	单芯线 Solid [AWG]	/							
	多芯线 Stranded [AWG]	/							
耐压	Dielectric Voltage-Withstand	1.6KV							
IEC 技术参数 IEC Technical Data									
过电压类别	Surge voltage category	II	II	II					
污染等级	Contamination Class	3	2	2					
额定电压	Rated Voltage [V]	160	160	250					
额定电流	Rated Current [A]	7	7	7					
额定冲击电压	Impulse withstand voltage [KV]	2.5	2.5	2.5					
导线截面积 Conductor cross section	硬质导线 Solid [mm ²]	/							
	柔性导线 Flexible [mm ²]	/							
材料 Material									
绝缘材料	Insulation Material	PA66							
阻燃等级	Inflammability Class	UL94V-0							
导体材料	Conductor Material	Copper alloy							
导体表面镀层	Conductor Plating	Sn plated							
一般参数 Other Data									
间距/极数	Pitch/Poles [mm]/[P]	3.81/2-24							
剥线长度	Stripping Length [mm]	/							
螺丝/扭矩	Screw/Torque(Max)[N.m]	/							
工作温度	Operating temperature [°C]	-40~+105							
焊接温度	Soldering temperature	260°C /5S							
引针尺寸	Pin dimensions [mm]	1.0*1.0							
PCB板孔径	PCB Hole Diameter [mm]	Ø1.7							

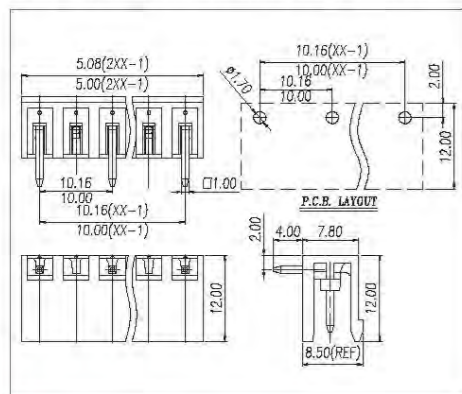
UL/CUL 技术参数 UL/CUL Technical Data									
等级	Use Group	B	C	D					
额定电压	Rated Voltage [V]	300	-	300					
额定电流	Rated Current [A]	15	-	10					
接线范围 Wire Range	单芯线 Solid [AWG]	/							
	多芯线 Stranded [AWG]	/							
耐压	Dielectric Voltage-Withstand	1.6KV							
IEC 技术参数 IEC Technical Data									
过电压类别	Overvoltage Category	III	II	II					
污染等级	Contamination Class	3	2	2					
额定电压	Rated Voltage [V]	250	320	630					
额定电流	Rated Current [A]	15	15	15					
额定冲击电压	Impulse withstand voltage [KV]	4	4	4					
导线截面积 Conductor cross section	硬质导线 Solid [mm ²]	/							
	柔性导线 Flexible [mm ²]	/							
材料 Material									
绝缘材料	Insulation Material	PA66							
阻燃等级	Flame retardant rating	UL94V-0							
导体材料	Conductor Material	Copper alloy							
导体表面镀层	Plating of conductor surface	Sn plated							
一般参数 Other Data									
间距/极数	Pitch/Poles [mm]/[P]	5.0,5.08/2-24							
剥线长度	Stripping Length [mm]	/							
螺丝/扭矩	Screw/Torque(Max)[N.m]	/							
工作温度	Operating temperature [°C]	-40~+105							
焊接温度	Soldering temperature	260°C /5S							
引针尺寸	Pin dimensions [mm]	1.0*1.0							
PCB板孔径	PCB Hole Diameter [mm]	Ø1.7							

UL/CUL 技术参数 UL/CUL Technical Data									
等级	Use Group	B	C	D					
额定电压	Rated Voltage [V]	300	-	300					
额定电流	Rated Current [A]	15	-	10					
接线范围 Wire Range	单芯线 Solid [AWG]	/							
	多芯线 Stranded [AWG]	/							
耐压	Dielectric Voltage-Withstand	1.6KV							
IEC 技术参数 IEC Technical Data									
过电压类别	Overvoltage Category	III	II	II					
污染等级	Contamination Class	3	2	2					
额定电压	Rated Voltage [V]	400	630	630					
额定电流	Rated Current [A]	15	15	15					
额定冲击电压	Impulse withstand voltage [KV]	6	6	6					
导线截面积 Conductor cross section	硬质导线 Solid [mm ²]	/							
	柔性导线 Flexible [mm ²]	/							
材料 Material									
绝缘材料	Insulation Material	PA66							
阻燃等级	Flame retardant rating	UL94V-0							
导体材料	Conductor Material	Copper alloy							
导体表面镀层	Plating of conductor surface	Sn plated							
一般参数 Other Data									
间距/极数	Pitch/Poles [mm]/[P]	7.5,7.62/2-24							
剥线长度	Stripping Length [mm]	/							
螺丝/扭矩	Screw/Torque(Max)[N.m]	/							
工作温度	Operating temperature [°C]	-40~+105							
焊接温度	Soldering temperature	260°C /5S							
引针尺寸	Pin dimensions [mm]	1.0*1.0							
PCB板孔径	PCB Hole Diameter [mm]	Ø1.7							

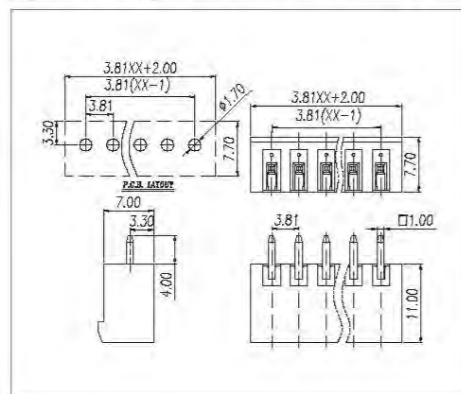



WJ2EDGR-10.0/10.16
WJ2EDGVC-3.81
WJ2EDGVC-5.0/5.08
WJ2EDGVC-7.5/7.62
WJ2EDGVC-10.0/10.16
WJ2EDGRC-3.81

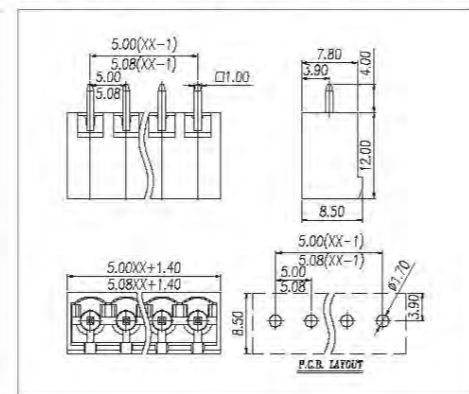
UL/CUL 技术参数		UL/CUL Technical Data		
等级	Use Group	B	C	D
额定电压	Rated Voltage [V]	600	-	600
额定电流	Rated Current [A]	15	-	5
接线范围	单芯线 Solid [AWG]	/		
	多芯线 Stranded [AWG]	/		
耐压	Dielectric Voltage-Withstand	2.2KV		
IEC 技术参数		IEC Technical Data		
过电压类别	Overvoltage Category	III	II	II
污染等级	Contamination Class	3	2	2
额定电压	Rated Voltage [V]	630	1000	1000
额定电流	Rated Current [A]	15	15	15
额定冲击电压	Impulse withstand voltage [KV]	6	6	6
导线截面积	硬质导线 Solid [mm ²]	/		
	柔性导线 Flexible [mm ²]	/		
材料 Material				
绝缘材料	Insulation Material	PA66		
阻燃等级	Flame retardant rating	UL94V-0		
导体材料	Conductor Material	Copper alloy		
导体表面镀层	Plating of conductor surface	Sn plated		
一般参数 Other Data				
间距/极数	Pitch/Poles [mm]/[P]	10.0, 10.16/2-12		
剥线长度	Stripping Length [mm]	/		
螺丝/扭矩	Screw/Torque(Max) [N.m]	/		
工作温度	Operating temperature [°C]	-40~+105		
焊锡温度	Soldering temperature	260°C/5S		
引针尺寸	Pin dimensions [mm]	1.0*1.0		
PCB板孔径	PCB Hole Diameter [mm]	Ø1.7		



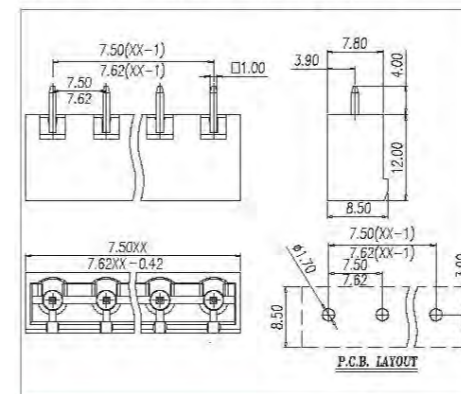
UL/CUL 技术参数		UL/CUL Technical Data		
等级	Use Group	B	C	D
额定电压	Rated Voltage [V]	300	-	300
额定电流	Rated Current [A]	8	-	8
接线范围	单芯线 Solid [AWG]	/		
	多芯线 Stranded [AWG]	/		
耐压	Dielectric Voltage-Withstand	1.6KV		
IEC 技术参数		IEC Technical Data		
过电压类别	Surge voltage category	III	II	II
污染等级	Contamination Class	3	2	2
额定电压	Rated Voltage [V]	160	160	250
额定电流	Rated Current [A]	7	7	7
额定冲击电压	Impulse withstand voltage [KV]	2.5	2.5	2.5
导线截面积	硬质导线 Solid [mm ²]	/		
	柔性导线 Flexible [mm ²]	/		
材料 Material				
绝缘材料	Insulation Material	PA66		
阻燃等级	Inflammability Class	UL94V-0		
导体材料	Conductor Material	Copper alloy		
导体表面镀层	Conductor Plating	Sn plated		
一般参数 Other Data				
间距/极数	Pitch/Poles [mm]/[P]	3.81/2-24		
剥线长度	Stripping Length [mm]	/		
螺丝/扭矩	Screw/Torque(Max) [N.m]	/		
工作温度	Operating temperature [°C]	-40~+105		
焊锡温度	Soldering temperature	260°C/5S		
引针尺寸	Pin dimensions [mm]	1.0*1.0		
PCB板孔径	PCB Hole Diameter [mm]	Ø1.7		



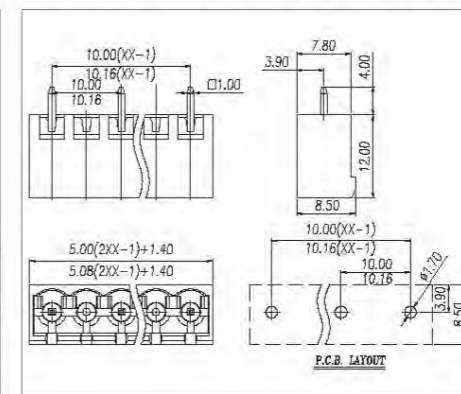
UL/CUL 技术参数		UL/CUL Technical Data		
等级	Use Group	B	C	D
额定电压	Rated Voltage [V]	300	-	300
额定电流	Rated Current [A]	15	-	10
接线范围	单芯线 Solid [AWG]	/		
	多芯线 Stranded [AWG]	/		
耐压	Dielectric Voltage-Withstand	1.6KV		
IEC 技术参数		IEC Technical Data		
过电压类别	Overvoltage Category	III	II	II
污染等级	Contamination Class	3	2	2
额定电压	Rated Voltage [V]	250	320	630
额定电流	Rated Current [A]	15	15	15
额定冲击电压	Impulse withstand voltage [KV]	4	4	4
导线截面积	硬质导线 Solid [mm ²]	/		
	柔性导线 Flexible [mm ²]	/		
材料 Material				
绝缘材料	Insulation Material	PA66		
阻燃等级	Flame retardant rating	UL94V-0		
导体材料	Conductor Material	Copper alloy		
导体表面镀层	Plating of conductor surface	Sn plated		
一般参数 Other Data				
间距/极数	Pitch/Poles [mm]/[P]	5.0, 5.08/2-24		
剥线长度	Stripping Length [mm]	/		
螺丝/扭矩	Screw/Torque(Max) [N.m]	/		
工作温度	Operating temperature [°C]	-40~+105		
焊锡温度	Soldering temperature	260°C/5S		
引针尺寸	Pin dimensions [mm]	1.0*1.0		
PCB板孔径	PCB Hole Diameter [mm]	Ø1.7		



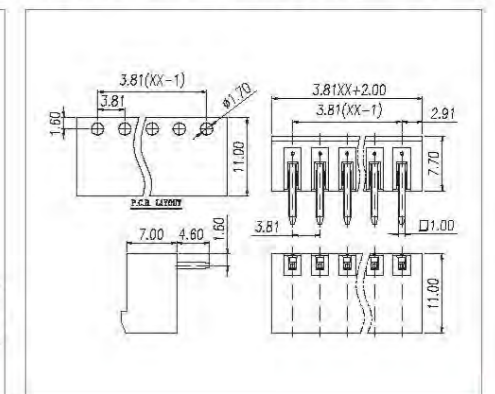
UL/CUL 技术参数		UL/CUL Technical Data		
等级	Use Group	B	C	D
额定电压	Rated Voltage [V]	300	-	300
额定电流	Rated Current [A]	15	-	10
接线范围	单芯线 Solid [AWG]	/		
	多芯线 Stranded [AWG]	/		
耐压	Dielectric Voltage-Withstand	1.6KV		
IEC 技术参数		IEC Technical Data		
过电压类别	Overvoltage Category	III	II	II
污染等级	Contamination Class	3	2	2
额定电压	Rated Voltage [V]	400	630	630
额定电流	Rated Current [A]	15	15	15
额定冲击电压	Impulse withstand voltage [KV]	6	6	6
导线截面积	硬质导线 Solid [mm ²]	/		
	柔性导线 Flexible [mm ²]	/		
材料 Material				
绝缘材料	Insulation Material	PA66		
阻燃等级	Flame retardant rating	UL94V-0		
导体材料	Conductor Material	Copper alloy		
导体表面镀层	Plating of conductor surface	Sn plated		
一般参数 Other Data				
间距/极数	Pitch/Poles [mm]/[P]	7.5, 7.62/2-24		
剥线长度	Stripping Length [mm]	/		
螺丝/扭矩	Screw/Torque(Max) [N.m]	/		
工作温度	Operating temperature [°C]	-40~+105		
焊锡温度	Soldering temperature	260°C/5S		
引针尺寸	Pin dimensions [mm]	1.0*1.0		
PCB板孔径	PCB Hole Diameter [mm]	Ø1.7		



UL/CUL 技术参数		UL/CUL Technical Data		
等级	Use Group	B	C	D
额定电压	Rated Voltage [V]	600	-	600
额定电流	Rated Current [A]	15	-	5
接线范围	单芯线 Solid [AWG]	/		
	多芯线 Stranded [AWG]	/		
耐压	Dielectric Voltage-Withstand	2.2KV		
IEC 技术参数		IEC Technical Data		
过电压类别	Overvoltage Category	III	II	II
污染等级	Contamination Class	3	2	2
额定电压	Rated Voltage [V]	630	1000	1000
额定电流	Rated Current [A]	15	15	15
额定冲击电压	Impulse withstand voltage [KV]	6	6	6
导线截面积	硬质导线 Solid [mm ²]	/		
	柔性导线 Flexible [mm ²]	/		
材料 Material				
绝缘材料	Insulation Material	PA66		
阻燃等级	Flame retardant rating	UL94V-0		
导体材料	Conductor Material	Copper alloy		
导体表面镀层	Plating of conductor surface	Sn plated		
一般参数 Other Data				
间距/极数	Pitch/Poles [mm]/[P]	10.0, 10.16/2-12		
剥线长度	Stripping Length [mm]	/		
螺丝/扭矩	Screw/Torque(Max) [N.m]	/		
工作温度	Operating temperature [°C]	-40~+105		
焊锡温度	Soldering temperature	260°C/5S		
引针尺寸	Pin dimensions [mm]	1.0*1.0		
PCB板孔径	PCB Hole Diameter [mm]	Ø1.7		



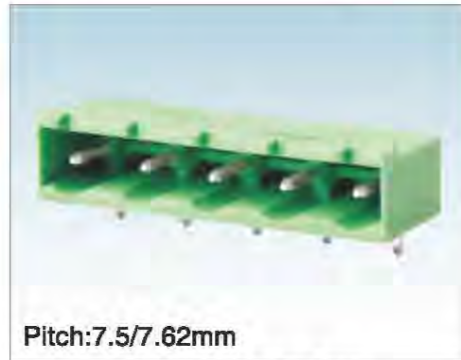
UL/CUL 技术参数		UL/CUL Technical Data		
等级	Use Group	B	C	D
额定电压	Rated Voltage [V]	300	-	300
额定电流	Rated Current [A]	8	-	8
接线范围	单芯线 Solid [AWG]	/		
	多芯线 Stranded [AWG]	/		
耐压	Dielectric Voltage-Withstand	1.6KV		
IEC 技术参数		IEC Technical Data		
过电压类别	Surge voltage category	III	II	II
污染等级	Contamination Class	3	2	2
额定电压	Rated Voltage [V]	160	160	250
额定电流	Rated Current [A]	7	7	7
额定冲击电压	Impulse withstand voltage [KV]	2.5	2.5	2.5
导线截面积	硬质导线 Solid [mm ²]	/		
	柔性导线 Flexible [mm ²]	/		
材料 Material				
绝缘材料	Insulation Material	PA66		
阻燃等级	Inflammability Class	UL94V-0		
导体材料	Conductor Material	Copper alloy		
导体表面镀层	Conductor Plating	Sn plated		
一般参数 Other Data				
间距/极数	Pitch/Poles [mm]/[P]	3.81/2-24		
剥线长度	Stripping Length [mm]	/		
螺丝/扭矩	Screw/Torque(Max) [N.m]	/		
工作温度	Operating temperature [°C]	-40~+105		
焊锡温度	Soldering temperature	260°C/5S		
引针尺寸	Pin dimensions [mm]	1.0*1.0		
PCB板孔径	PCB Hole Diameter [mm]	Ø1.7		





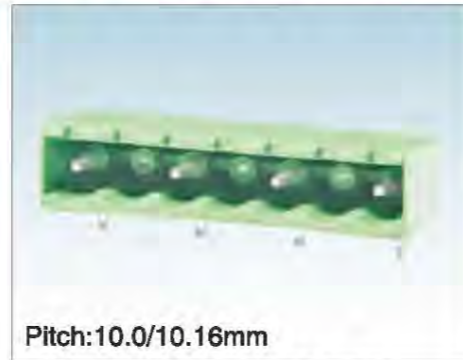
Pitch:5.0/5.08mm

WJ2EDGRC-5.0/5.08



Pitch:7.5/7.62mm

WJ2EDGRC-7.5/7.62



Pitch:10.0/10.16mm

WJ2EDGRC-10.0/10.16



Pitch:3.81mm

WJ2EDGVM-3.81



Pitch:5.0/5.08mm

WJ2EDGVM-5.0/5.08



Pitch:7.5/7.62mm

WJ2EDGVM-7.5/7.62

UL/CUL 技术参数 UL/CUL Technical Data		UL/CUL Technical Data	
等级 Use Group	B C D	300	- 300
额定电压 Rated Voltage [V]		300	- 300
额定电流 Rated Current [A]		15	- 10
接线范围 Wire Range	单芯线 Solid [AWG] 多芯线 Stranded [AWG]	/	/
耐电压 Dielectric Voltage-Withstand		1.6KV	

IEC 技术参数 IEC Technical Data		IEC Technical Data	
过电压类别 Overvoltage Category	III IIII IIII	III	III IIII IIII
污染等级 Contamination Class	3 2 2	3	2 2
额定电压 Rated Voltage [V]		250	320 630
额定电流 Rated Current [A]		15	15 15
额定冲击电压 Impulse withstand voltage [KV]		4	4 4
导线截面积 Conductor cross section	硬质导线 Solid [mm²] 柔性导线 Flexible [mm²]	/	/

材料 Material		Material	
绝缘材料 Insulation Material	PA66		
阻燃等级 Flame retardant rating	UL94V-0		
导体材料 Conductor Material	Copper alloy		
导体表面镀层 Plating of conductor surface	Sn plated		

一般参数 Other Data		Other Data	
间距/极数 Pitch/Poles [mm]/[P]	5.0,5.08/2-24		
剥线长度 Stripping Length [mm]	/		
螺丝/扭矩 Screw/Torque(Max) [N.m]	/		
工作温度 Operating temperature [°C]	-40~+105		
焊锡温度 Soldering temperature	260°C /5S		
引针尺寸 Pin dimensions [mm]	1.0*1.0		
PCB板孔径 PCB Hole Diameter [mm]	∅1.7		

UL/CUL 技术参数 UL/CUL Technical Data		UL/CUL Technical Data	
等级 Use Group	B C D	300	- 300
额定电压 Rated Voltage [V]		300	- 300
额定电流 Rated Current [A]		15	- 10
接线范围 Wire Range	单芯线 Solid [AWG] 多芯线 Stranded [AWG]	/	/
耐电压 Dielectric Voltage-Withstand		1.6KV	

IEC 技术参数 IEC Technical Data		IEC Technical Data	
过电压类别 Overvoltage Category	III IIII IIII	III	III IIII IIII
污染等级 Contamination Class	3 2 2	3	2 2
额定电压 Rated Voltage [V]		400	630 630
额定电流 Rated Current [A]		15	15 15
额定冲击电压 Impulse withstand voltage [KV]		6	6 6
导线截面积 Conductor cross section	硬质导线 Solid [mm²] 柔性导线 Flexible [mm²]	/	/

材料 Material		Material	
绝缘材料 Insulation Material	PA66		
阻燃等级 Flame retardant rating	UL94V-0		
导体材料 Conductor Material	Copper alloy		
导体表面镀层 Plating of conductor surface	Sn plated		

一般参数 Other Data		Other Data	
间距/极数 Pitch/Poles [mm]/[P]	7.5,7.62/2-24		
剥线长度 Stripping Length [mm]	/		
螺丝/扭矩 Screw/Torque(Max) [N.m]	/		
工作温度 Operating temperature [°C]	-40~+105		
焊锡温度 Soldering temperature	260°C /5S		
引针尺寸 Pin dimensions [mm]	1.0*1.0		
PCB板孔径 PCB Hole Diameter [mm]	∅1.7		

UL/CUL 技术参数 UL/CUL Technical Data		UL/CUL Technical Data	
等级 Use Group	B C D	600	- 600
额定电压 Rated Voltage [V]		600	- 600
额定电流 Rated Current [A]		15	- 5
接线范围 Wire Range	单芯线 Solid [AWG] 多芯线 Stranded [AWG]	/	/
耐电压 Dielectric Voltage-Withstand		2.2KV	

IEC 技术参数 IEC Technical Data		IEC Technical Data	
过电压类别 Overvoltage Category	III IIII IIII	III	III IIII IIII
污染等级 Contamination Class	3 2 2	3	2 2
额定电压 Rated Voltage [V]		630	1000/1000
额定电流 Rated Current [A]		15	15 15
额定冲击电压 Impulse withstand voltage [KV]		6	6 6
导线截面积 Conductor cross section	硬质导线 Solid [mm²] 柔性导线 Flexible [mm²]	/	/

材料 Material		Material	
绝缘材料 Insulation Material	PA66		
阻燃等级 Flame retardant rating	UL94V-0		
导体材料 Conductor Material	Copper alloy		
导体表面镀层 Plating of conductor surface	Sn plated		

一般参数 Other Data		Other Data	
间距/极数 Pitch/Poles [mm]/[P]	10.0,10.16/2-12		
剥线长度 Stripping Length [mm]	/		
螺丝/扭矩 Screw/Torque(Max) [N.m]	/		
工作温度 Operating temperature [°C]	-40~+105		
焊锡温度 Soldering temperature	260°C /5S		
引针尺寸 Pin dimensions [mm]	1.0*1.0		
PCB板孔径 PCB Hole Diameter [mm]	∅1.7		

UL/CUL 技术参数 UL/CUL Technical Data		UL/CUL Technical Data	
等级 Use Group	B C D	300	- 300
额定电压 Rated Voltage [V]		300	- 300
额定电流 Rated Current [A]		8	- 8
接线范围 Wire Range	单芯线 Solid [AWG] 多芯线 Stranded [AWG]	/	/
耐电压 Dielectric Voltage-Withstand		1.6KV	

IEC 技术参数 IEC Technical Data		IEC Technical Data	
过电压类别 Surge voltage category	III IIII IIII	III	III IIII IIII
污染等级 Contamination Class	3 2 2	3	2 2
额定电压 Rated Voltage [V]		160	160 250
额定电流 Rated Current [A]		7	7 7
额定冲击电压 Impulse withstand voltage [KV]		2.5	2.5 2.5
导线截面积 Conductor cross section	硬质导线 Solid [mm²] 柔性导线 Flexible [mm²]	/	/

材料 Material		Material	
绝缘材料 Insulation Material	PA66		
阻燃等级 Inflammability Class	UL94V-0		
导体材料 Conductor Material	Copper alloy		
导体表面镀层 Conductor Plating	Sn plated		

一般参数 Other Data		Other Data	
间距/极数 Pitch/Poles [mm]/[P]	3.81/2-24		
剥线长度 Stripping Length [mm]	/		
螺丝/扭矩 Screw/Torque(Max) [N.m]	/		
工作温度 Operating temperature [°C]	-40~+105		
焊锡温度 Soldering temperature	260°C/5S		
引针尺寸 Pin dimensions [mm]	1.0*1.0		
PCB板孔径 PCB Hole Diameter [mm]	∅1.7		

UL/CUL 技术参数 UL/CUL Technical Data		UL/CUL Technical Data	
等级 Use Group	B C D	300	- 300
额定电压 Rated Voltage [V]		300	- 300
额定电流 Rated Current [A]		15	- 10
接线范围 Wire Range	单芯线 Solid [AWG] 多芯线 Stranded [AWG]	/	/
耐电压 Dielectric Voltage-Withstand		1.6KV	

IEC 技术参数 IEC Technical Data		IEC Technical Data	
过电压类别 Overvoltage Category	III IIII IIII	III	III IIII IIII
污染等级 Contamination Class	3 2 2	3	2 2
额定电压 Rated Voltage [V]		250	320 630
额定电流 Rated Current [A]		15	15 15
额定冲击电压 Impulse withstand voltage [KV]		4	4 4
导线截面积 Conductor cross section	硬质导线 Solid [mm²] 柔性导线 Flexible [mm²]	/	/

材料 Material		Material	
绝缘材料 Insulation Material	PA66		
阻燃等级 Flame retardant rating	UL94V-0		
导体材料 Conductor Material	Copper alloy		
导体表面镀层 Plating of conductor surface	Sn plated		

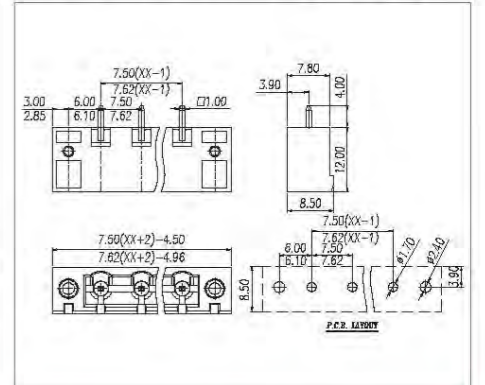
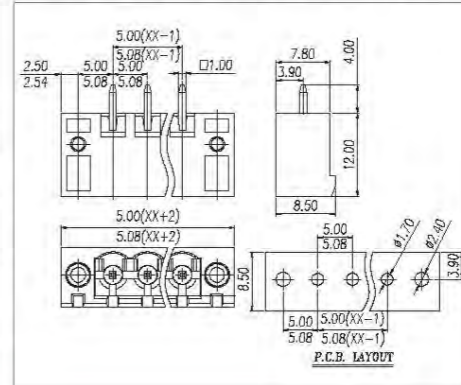
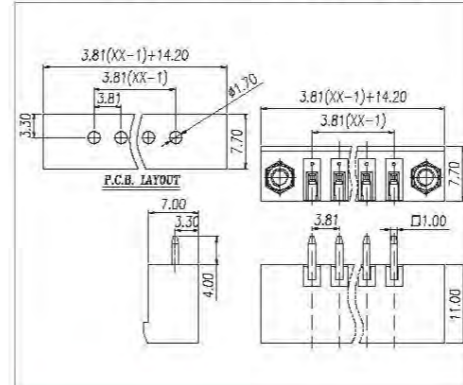
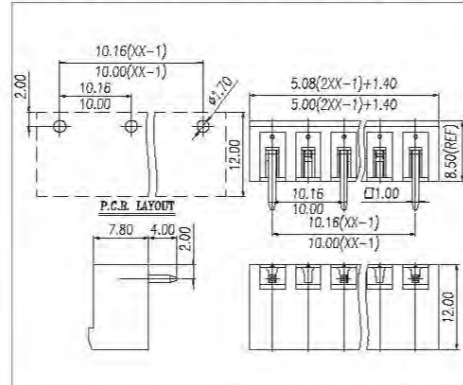
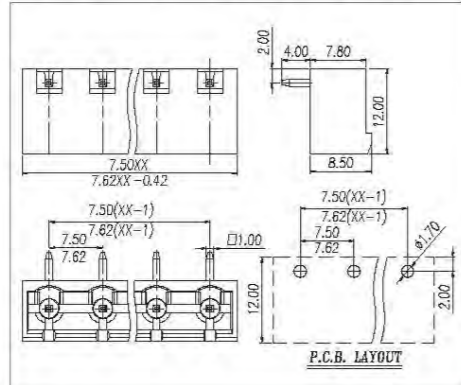
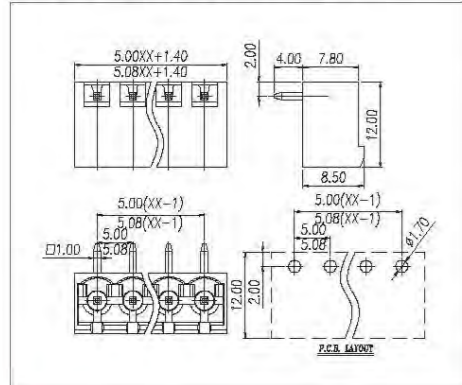
一般参数 Other Data		Other Data	
间距/极数 Pitch/Poles [mm]/[P]	5.0,5.08/2-24		
剥线长度 Stripping Length [mm]	/		
螺丝/扭矩 Screw/Torque(Max) [N.m]	/		
工作温度 Operating temperature [°C]	-40~+105		
焊锡温度 Soldering temperature	260°C /5S		
引针尺寸 Pin dimensions [mm]	1.0*1.0		
PCB板孔径 PCB Hole Diameter [mm]	∅1.7		

UL/CUL 技术参数 UL/CUL Technical Data		UL/CUL Technical Data	
等级 Use Group	B C D	300	- 300
额定电压 Rated Voltage [V]		300	- 300
额定电流 Rated Current [A]		15	- 10
接线范围 Wire Range	单芯线 Solid [AWG] 多芯线 Stranded [AWG]	/	/
耐电压 Dielectric Voltage-Withstand		1.6KV	

IEC 技术参数 IEC Technical Data		IEC Technical Data	
过电压类别 Overvoltage Category	III IIII IIII	III	III IIII IIII
污染等级 Contamination Class	3 2 2	3	2 2
额定电压 Rated Voltage [V]		400	630 630
额定电流 Rated Current [A]		15	15 15
额定冲击电压 Impulse withstand voltage [KV]		6	6 6
导线截面积 Conductor cross section	硬质导线 Solid [mm²] 柔性导线 Flexible [mm²]	/	/

材料 Material		Material	
绝缘材料 Insulation Material	PA66		
阻燃等级 Flame retardant rating	UL94V-0		
导体材料 Conductor Material	Copper alloy		
导体表面镀层 Plating of conductor surface	Sn plated		

一般参数 Other Data		Other Data	
间距/极数 Pitch/Poles [mm]/[P]	7.5,7.62/2-24		
剥线长度 Stripping Length [mm]	/		
螺丝/扭矩 Screw/Torque(Max) [N.m]	/		
工作温度 Operating temperature [°C]	-40~+105		
焊锡温度 Soldering temperature	260°C /5S		
引针尺寸 Pin dimensions [mm]	1.0*1.0		
PCB板孔径 PCB Hole Diameter [mm]	∅1.7		





Pitch:5.0/5.08mm
WJ2EDGRT-5.0/5.08

Pitch:5.0/5.08mm
WJ2EDGRTM-5.08

Pitch:5.0/5.08mm
WJ2EDGVTC-5.0/5.08

Pitch:5.0/5.08mm
WJ2EDGRTc-5.0/5.08

Pitch:5.0/5.08mm
WJ2EDGVH-5.0/5.08

Pitch:5.0/5.08mm
WJ2EDGVHM-5.0/5.08

UL/CUL 技术参数				
UL/CUL Technical Data				
等级 Use Group	B C D			
额定电压 Rated Voltage [V]	300 - 300			
额定电流 Rated Current [A]	15 - 10			
接线范围 Wire Range	单芯线 Solid [AWG]	/		
	多芯线 Stranded [AWG]	/		
耐电压 Dielectric Voltage-Withstand	1.6KV			
IEC 技术参数				
IEC Technical Data				
过电压类别 Overvoltage Category	III III II			
污染等级 Contamination Class	3 2 2			
额定电压 Rated Voltage [V]	250 320 400			
额定电流 Rated Current [A]	10 10 10			
额定冲击电压 Impulse withstand voltage [KV]	4 4 4			
导线截面积 Conductor cross section	硬质导线 Solid [mm²]	/		
	柔性导线 Flexible [mm²]	/		
材料 Material				
绝缘材料 Insulation Material	PA66			
阻燃等级 Flame retardant rating	UL94V-0			
导体材料 Conductor Material	Copper alloy			
导体表面镀层 Plating of conductor surface	Sn plated			
一般参数 Other Data				
间距/极数 Pitch/Poles [mm]/[P]	5.0,5.08 / 2*2-2*24			
剥线长度 Stripping Length [mm]	/			
螺丝/扭矩 Screw/Torque(Max) [N.m]	/			
工作温度 Operating temperature [°C]	-40~+105			
焊锡温度 Soldering temperature	260°C /5S			
引针尺寸 Pin dimensions [mm]	1.0*1.0			
PCB板孔径 PCB Hole Diameter [mm]	Ø1.7			

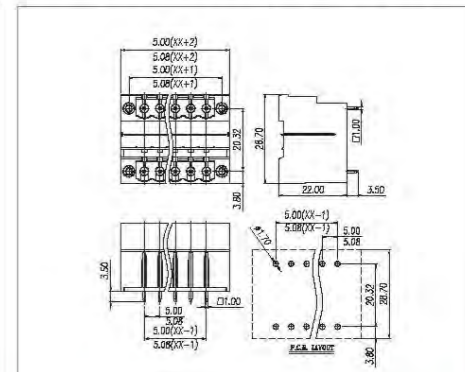
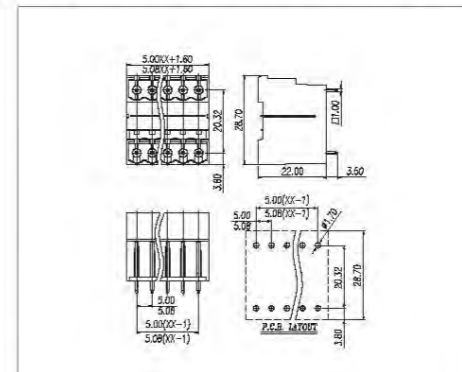
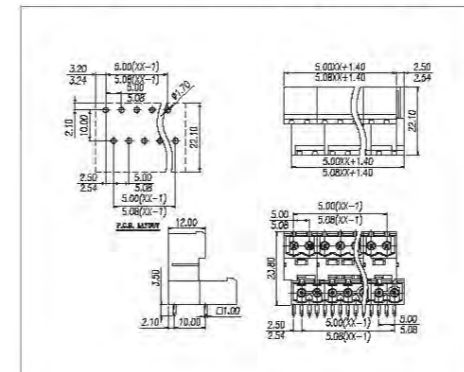
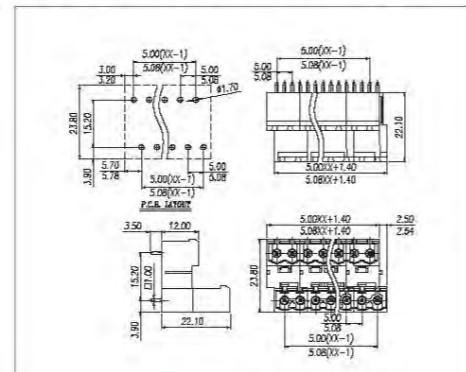
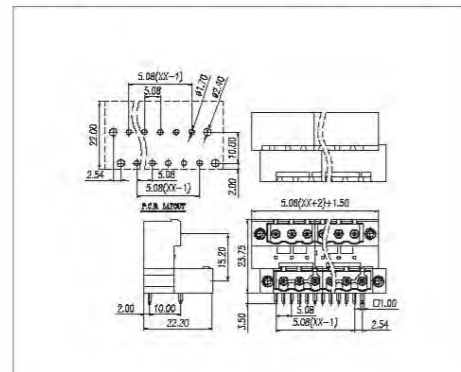
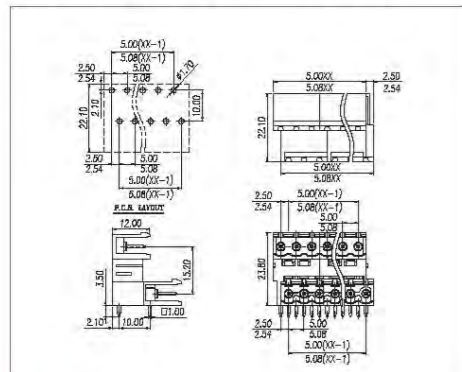
UL/CUL 技术参数				
UL/CUL Technical Data				
等级 Use Group	B C D			
额定电压 Rated Voltage [V]	300 - 300			
额定电流 Rated Current [A]	15 - 10			
接线范围 Wire Range	单芯线 Solid [AWG]	/		
	多芯线 Stranded [AWG]	/		
耐电压 Dielectric Voltage-Withstand	1.6KV			
IEC 技术参数				
IEC Technical Data				
过电压类别 Overvoltage Category	III III II			
污染等级 Contamination Class	3 2 2			
额定电压 Rated Voltage [V]	250 320 400			
额定电流 Rated Current [A]	10 10 10			
额定冲击电压 Impulse withstand voltage [KV]	4 4 4			
导线截面积 Conductor cross section	硬质导线 Solid [mm²]	/		
	柔性导线 Flexible [mm²]	/		
材料 Material				
绝缘材料 Insulation Material	PA66			
阻燃等级 Flame retardant rating	UL94V-0			
导体材料 Conductor Material	Copper alloy			
导体表面镀层 Plating of conductor surface	Sn plated			
一般参数 Other Data				
间距/极数 Pitch/Poles [mm]/[P]	5.08/2*2-2*24			
剥线长度 Stripping Length [mm]	/			
螺丝/扭矩 Screw/Torque(Max) [N.m]	/			
工作温度 Operating temperature [°C]	-40~+105			
焊锡温度 Soldering temperature	260°C /5S			
引针尺寸 Pin dimensions [mm]	1.0*1.0			
PCB板孔径 PCB Hole Diameter [mm]	Ø1.7			

UL/CUL 技术参数				
UL/CUL Technical Data				
等级 Use Group	B C D			
额定电压 Rated Voltage [V]	300 - 300			
额定电流 Rated Current [A]	15 - 10			
接线范围 Wire Range	单芯线 Solid [AWG]	/		
	多芯线 Stranded [AWG]	/		
耐电压 Dielectric Voltage-Withstand	1.6KV			
IEC 技术参数				
IEC Technical Data				
过电压类别 Overvoltage Category	III III II			
污染等级 Contamination Class	3 2 2			
额定电压 Rated Voltage [V]	250 320 400			
额定电流 Rated Current [A]	10 10 10			
额定冲击电压 Impulse withstand voltage [KV]	4 4 4			
导线截面积 Conductor cross section	硬质导线 Solid [mm²]	/		
	柔性导线 Flexible [mm²]	/		
材料 Material				
绝缘材料 Insulation Material	PA66			
阻燃等级 Flame retardant rating	UL94V-0			
导体材料 Conductor Material	Copper alloy			
导体表面镀层 Plating of conductor surface	Sn plated			
一般参数 Other Data				
间距/极数 Pitch/Poles [mm]/[P]	5.0,5.08 / 2*2-2*24			
剥线长度 Stripping Length [mm]	/			
螺丝/扭矩 Screw/Torque(Max) [N.m]	/			
工作温度 Operating temperature [°C]	-40~+105			
焊锡温度 Soldering temperature	260°C /5S			
引针尺寸 Pin dimensions [mm]	1.0*1.0			
PCB板孔径 PCB Hole Diameter [mm]	Ø1.7			

UL/CUL 技术参数				
UL/CUL Technical Data				
等级 Use Group	B C D			
额定电压 Rated Voltage [V]	300 - 300			
额定电流 Rated Current [A]	15 - 10			
接线范围 Wire Range	单芯线 Solid [AWG]	/		
	多芯线 Stranded [AWG]	/		
耐电压 Dielectric Voltage-Withstand	1.6KV			
IEC 技术参数				
IEC Technical Data				
过电压类别 Overvoltage Category	III III II			
污染等级 Contamination Class	3 2 2			
额定电压 Rated Voltage [V]	250 320 400			
额定电流 Rated Current [A]	10 10 10			
额定冲击电压 Impulse withstand voltage [KV]	4 4 4			
导线截面积 Conductor cross section	硬质导线 Solid [mm²]	/		
	柔性导线 Flexible [mm²]	/		
材料 Material				
绝缘材料 Insulation Material	PA66			
阻燃等级 Flame retardant rating	UL94V-0			
导体材料 Conductor Material	Copper alloy			
导体表面镀层 Plating of conductor surface	Sn plated			
一般参数 Other Data				
间距/极数 Pitch/Poles [mm]/[P]	5.0,5.08 / 2*2-2*24			
剥线长度 Stripping Length [mm]	/			
螺丝/扭矩 Screw/Torque(Max) [N.m]	/			
工作温度 Operating temperature [°C]	-40~+105			
焊锡温度 Soldering temperature	260°C /5S			
引针尺寸 Pin dimensions [mm]	1.0*1.0			
PCB板孔径 PCB Hole Diameter [mm]	Ø1.7			

UL/CUL 技术参数				
UL/CUL Technical Data				
等级 Use Group	B C D			
额定电压 Rated Voltage [V]	300 - 300			
额定电流 Rated Current [A]	15 - 10			
接线范围 Wire Range	单芯线 Solid [AWG]	/		
	多芯线 Stranded [AWG]	/		
耐电压 Dielectric Voltage-Withstand	1.6KV			
IEC 技术参数				
IEC Technical Data				
过电压类别 Overvoltage Category	III III II			
污染等级 Contamination Class	3 2 2			
额定电压 Rated Voltage [V]	250 320 630			
额定电流 Rated Current [A]	10 10 10			
额定冲击电压 Impulse withstand voltage [KV]	4 4 4			
导线截面积 Conductor cross section	硬质导线 Solid [mm²]	/		
	柔性导线 Flexible [mm²]	/		
材料 Material				
绝缘材料 Insulation Material	PA66			
阻燃等级 Flame retardant rating	UL94V-0			
导体材料 Conductor Material	Copper alloy			
导体表面镀层 Plating of conductor surface	Sn plated			
一般参数 Other Data				
间距/极数 Pitch/Poles [mm]/[P]	5.0,5.08 / 2*2-2*24			
剥线长度 Stripping Length [mm]	/			
螺丝/扭矩 Screw/Torque(Max) [N.m]	/			
工作温度 Operating temperature [°C]	-40~+105			
焊锡温度 Soldering temperature	260°C /5S			
引针尺寸 Pin dimensions [mm]	1.0*1.0			
PCB板孔径 PCB Hole Diameter [mm]	Ø1.7			

UL/CUL 技术参数				
UL/CUL Technical Data				
等级 Use Group	B C D			
额定电压 Rated Voltage [V]	300 - 300			
额定电流 Rated Current [A]	15 - 10			
接线范围 Wire Range	单芯线 Solid [AWG]	/		
	多芯线 Stranded [AWG]	/		
耐电压 Dielectric Voltage-Withstand	1.6KV			
IEC 技术参数				
IEC Technical Data				
过电压类别 Overvoltage Category	III III II			
污染等级 Contamination Class	3 2 2			
额定电压 Rated Voltage [V]	250 320 630			
额定电流 Rated Current [A]	10 10 10			
额定冲击电压 Impulse withstand voltage [KV]	4 4 4			
导线截面积 Conductor cross section	硬质导线 Solid [mm²]	/		
	柔性导线 Flexible [mm²]	/		
材料 Material				
绝缘材料 Insulation Material	PA66			
阻燃等级 Flame retardant rating	UL94V-0			
导体材料 Conductor Material	Copper alloy			
导体表面镀层 Plating of conductor surface	Sn plated			
一般参数 Other Data				
间距/极数 Pitch/Poles [mm]/[P]	5.0,5.08 / 2*2-2*24			
剥线长度 Stripping Length [mm]	/			
螺丝/扭矩 Screw/Torque(Max) [N.m]	/			
工作温度 Operating temperature [°C]	-40~+105			
焊锡温度 Soldering temperature	260°C /5S			
引针尺寸 Pin dimensions [mm]	1.0*1.0			
PCB板孔径 PCB Hole Diameter [mm]	Ø1.7			





Pitch:5.0/5.08mm



Pitch:5.0/5.08mm



Pitch:5.0/5.08mm



Pitch:5.0/5.08mm



Pitch:5.0/5.08mm



Pitch:5.0/5.08mm

WJ2EDGRH-5.0/5.08**WJ2EDGRHM-5.0/5.08****WJ2EDGRHB-THR-5.0/5.08****WJ2EDGRHBM-THR-5.0/5.08****WJ2EDGRHBN-THR-5.0/5.08****WJ2EDGVHB-THR-5.0/5.08**

UL/CUL 技术参数				
UL/CUL Technical Data				
等级	Use Group	B	C	D
额定电压	Rated Voltage [V]	300	-	300
额定电流	Rated Current [A]	15	-	10
接线范围	单芯线 Solid [AWG]	/		
	多芯线 Stranded [AWG]	/		
耐压	Dielectric Voltage-Withstand	1.6KV		
IEC 技术参数				
IEC Technical Data				
过电压类别	Overvoltage Category			
污染等级	Contamination Class	3	2	2
额定电压	Rated Voltage [V]	250	320	630
额定电流	Rated Current [A]	10	10	10
额定冲击电压	Impulse withstand voltage [KV]	4	4	4
导线截面积	硬质导线 Solid[mm ²]	/		
	柔性导线 Flexible[mm ²]	/		
材料 Material				
绝缘材料	Insulation Material	PA66		
阻燃等级	Flame retardant rating	UL94V-0		
导体材料	Conductor Material	Copper alloy		
导体表面镀层	Plating of conductor surface	Sn plated		
一般参数 Other Data				
间距/极数	Pitch/Poles [mm]/[P]	5.0,5.08/ 2*2-2*24		
剥线长度	Stripping Length [mm]	/		
螺丝/扭矩	Screw/Torque(Max)[N.m]	/		
工作温度	Operating temperature [°C]	-40~+105		
焊接温度	Soldering temperature	260°C /5S		
引针尺寸	Pin dimensions [mm]	1.0*1.0		
PCB板孔径	PCB Hole Diameter [mm]	Ø1.7		

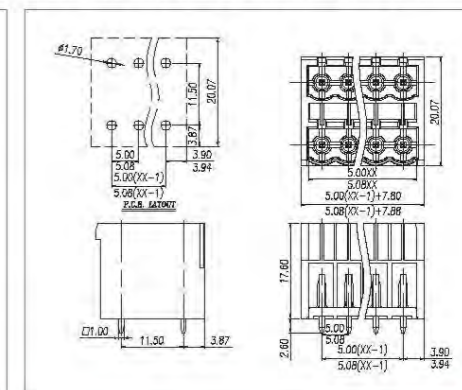
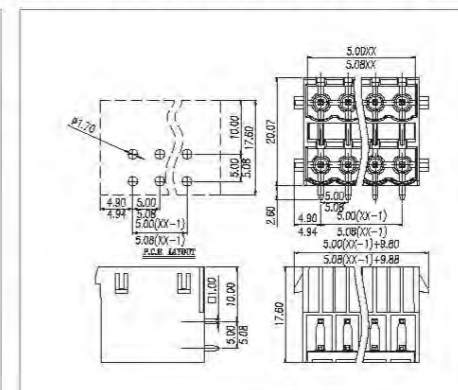
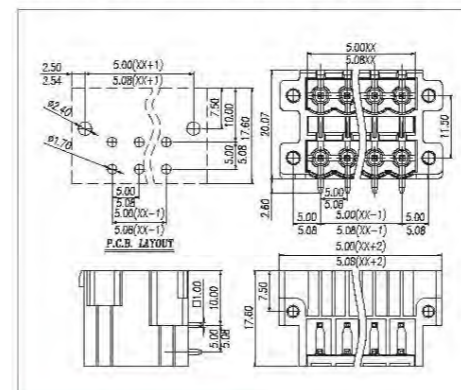
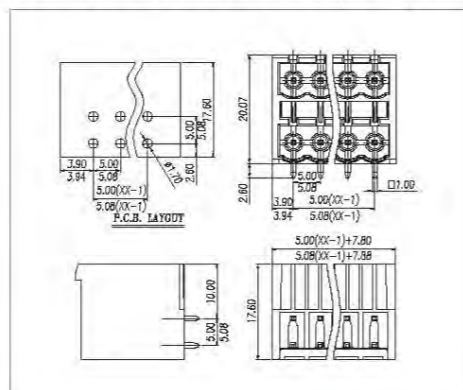
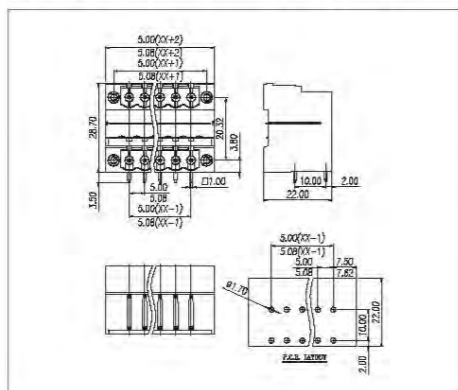
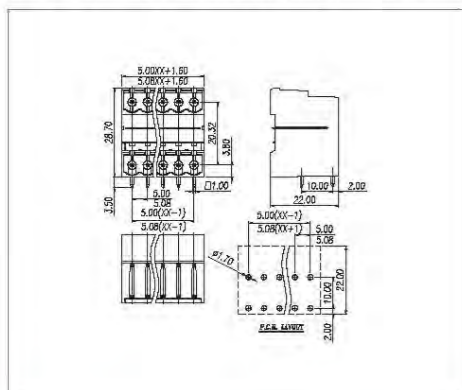
UL/CUL 技术参数				
UL/CUL Technical Data				
等级	Use Group	B	C	D
额定电压	Rated Voltage [V]	300	-	300
额定电流	Rated Current [A]	15	-	10
接线范围	单芯线 Solid [AWG]	/		
	多芯线 Stranded [AWG]	/		
耐压	Dielectric Voltage-Withstand	1.6KV		
IEC 技术参数				
IEC Technical Data				
过电压类别	Overvoltage Category			
污染等级	Contamination Class	3	2	2
额定电压	Rated Voltage [V]	250	320	630
额定电流	Rated Current [A]	10	10	10
额定冲击电压	Impulse withstand voltage [KV]	4	4	4
导线截面积	硬质导线 Solid[mm ²]	/		
	柔性导线 Flexible[mm ²]	/		
材料 Material				
绝缘材料	Insulation Material	PA66		
阻燃等级	Flame retardant rating	UL94V-0		
导体材料	Conductor Material	Copper alloy		
导体表面镀层	Plating of conductor surface	Sn plated		
一般参数 Other Data				
间距/极数	Pitch/Poles [mm]/[P]	5.0,5.08/ 2*2-2*24		
剥线长度	Stripping Length [mm]	/		
螺丝/扭矩	Screw/Torque(Max)[N.m]	/		
工作温度	Operating temperature [°C]	-40~+105		
焊接温度	Soldering temperature	260°C /5S		
引针尺寸	Pin dimensions [mm]	1.0*1.0		
PCB板孔径	PCB Hole Diameter [mm]	Ø1.7		

UL/CUL 技术参数				
UL/CUL Technical Data				
等级	Use Group	B	C	D
额定电压	Rated Voltage [V]	300	-	300
额定电流	Rated Current [A]	15	-	10
接线范围	单芯线 Solid [AWG]	/		
	多芯线 Stranded [AWG]	/		
耐压	Dielectric Voltage-Withstand	1.6KV		
IEC 技术参数				
IEC Technical Data				
过电压类别	Overvoltage Category			
污染等级	Contamination Class	3	2	2
额定电压	Rated Voltage [V]	250	320	400
额定电流	Rated Current [A]	12	12	12
额定冲击电压	Impulse withstand voltage [KV]	4	4	4
导线截面积	硬质导线 Solid[mm ²]	/		
	柔性导线 Flexible[mm ²]	/		
材料 Material				
绝缘材料	Insulation Material	LCP		
阻燃等级	Flame retardant rating	UL94V-0		
导体材料	Conductor Material	Copper alloy		
导体表面镀层	Plating of conductor surface	Sn plated		
一般参数 Other Data				
间距/极数	Pitch/Poles [mm]/[P]	5.0,5.08/ 2*2-2*24		
剥线长度	Stripping Length [mm]	/		
螺丝/扭矩	Screw/Torque(Max)[N.m]	/		
工作温度	Operating temperature [°C]	-40~+130		
焊接温度	Soldering temperature	285°C /10S		
引针尺寸	Pin dimensions [mm]	1.0*1.0		
PCB板孔径	PCB Hole Diameter [mm]	Ø1.7		

UL/CUL 技术参数				
UL/CUL Technical Data				
等级	Use Group	B	C	D
额定电压	Rated Voltage [V]	300	-	300
额定电流	Rated Current [A]	15	-	10
接线范围	单芯线 Solid [AWG]	/		
	多芯线 Stranded [AWG]	/		
耐压	Dielectric Voltage-Withstand	1.6KV		
IEC 技术参数				
IEC Technical Data				
过电压类别	Overvoltage Category			
污染等级	Contamination Class	3	2	2
额定电压	Rated Voltage [V]	250	320	400
额定电流	Rated Current [A]	12	12	12
额定冲击电压	Impulse withstand voltage [KV]	4	4	4
导线截面积	硬质导线 Solid[mm ²]	/		
	柔性导线 Flexible[mm ²]	/		
材料 Material				
绝缘材料	Insulation Material	LCP		
阻燃等级	Flame retardant rating	UL94V-0		
导体材料	Conductor Material	Copper alloy		
导体表面镀层	Plating of conductor surface	Sn plated		
一般参数 Other Data				
间距/极数	Pitch/Poles [mm]/[P]	5.0,5.08/ 2*2-2*24		
剥线长度	Stripping Length [mm]	/		
螺丝/扭矩	Screw/Torque(Max)[N.m]	/		
工作温度	Operating temperature [°C]	-40~+130		
焊接温度	Soldering temperature	285°C /10S		
引针尺寸	Pin dimensions [mm]	1.0*1.0		
PCB板孔径	PCB Hole Diameter [mm]	Ø1.7		

UL/CUL 技术参数				
UL/CUL Technical Data				
等级	Use Group	B	C	D
额定电压	Rated Voltage [V]	300	-	300
额定电流	Rated Current [A]	15	-	10
接线范围	单芯线 Solid [AWG]	/		
	多芯线 Stranded [AWG]	/		
耐压	Dielectric Voltage-Withstand	1.6KV		
IEC 技术参数				
IEC Technical Data				
过电压类别	Overvoltage Category			
污染等级	Contamination Class	3	2	2
额定电压	Rated Voltage [V]	250	320	400
额定电流	Rated Current [A]	12	12	12
额定冲击电压	Impulse withstand voltage [KV]	4	4	4
导线截面积	硬质导线 Solid[mm ²]	/		
	柔性导线 Flexible[mm ²]	/		
材料 Material				
绝缘材料	Insulation Material	LCP		
阻燃等级	Flame retardant rating	UL94V-0		
导体材料	Conductor Material	Copper alloy		
导体表面镀层	Plating of conductor surface	Sn plated		
一般参数 Other Data				
间距/极数	Pitch/Poles [mm]/[P]	5.0,5.08/ 2*2-2*24		
剥线长度	Stripping Length [mm]	/		
螺丝/扭矩	Screw/Torque(Max)[N.m]	/		
工作温度	Operating temperature [°C]	-40~+130		
焊接温度	Soldering temperature	285°C /10S		
引针尺寸	Pin dimensions [mm]	1.0*1.0		
PCB板孔径	PCB Hole Diameter [mm]	Ø1.7		

UL/CUL 技术参数				
UL/CUL Technical Data				
等级	Use Group	B	C	D
额定电压	Rated Voltage [V]	300	-	300
额定电流	Rated Current [A]	15	-	10
接线范围	单芯线 Solid [AWG]	/		
	多芯线 Stranded [AWG]	/		
耐压	Dielectric Voltage-Withstand	1.6KV		
IEC 技术参数				
IEC Technical Data				
过电压类别	Overvoltage Category			
污染等级	Contamination Class	3	2	2
额定电压	Rated Voltage [V]	250	320	400
额定电流	Rated Current [A]	12	12	12
额定冲击电压	Impulse withstand voltage [KV]	4	4	4
导线截面积	硬质导线 Solid[mm ²]	/		
	柔性导线 Flexible[mm ²]	/		
材料 Material				
绝缘材料	Insulation Material	LCP		
阻燃等级	Flame retardant rating	UL94V-0		
导体材料	Conductor Material	Copper alloy		
导体表面镀层	Plating of conductor surface	Sn plated		
一般参数 Other Data				
间距/极数	Pitch/Poles [mm]/[P]	5.0,5.08/ 2*2-2*24		
剥线长度	Stripping Length [mm]	/		
螺丝/扭矩	Screw/Torque(Max)[N.m]	/		
工作温度	Operating temperature [°C]	-40~+130		
焊接温度	Soldering temperature	285°C /10S		
引针尺寸	Pin dimensions [mm]	1.0*1.0		
PCB板孔径	PCB Hole Diameter [mm]	Ø1.7		





Pitch:5.0/5.08mm



Pitch:5.0/5.08mm



Pitch:5.08mm



Pitch:5.08mm



Pitch:5.08mm



Pitch:5.08mm

WJ2EDGVHBM-THR-5.0/5.08 WJ2EDGVHBN-THR-5.0/5.08
WJ2EDGVHC-5.08
WJ2EDGRHC-5.08
WJ2EDGVHCM-5.08
WJ2EDGRHCM-5.08

UL/CUL 技术参数 UL/CUL Technical Data			
等级 Use Group	B C D		
额定电压 Rated Voltage [V]	300	-	300
额定电流 Rated Current [A]	15	-	10
接线范围 Wire Range	单芯线 Solid [AWG]	/	
	多芯线 Stranded [AWG]	/	
耐压 Dielectric Voltage-Withstand	1.6KV		
IEC 技术参数 IEC Technical Data			
过电压类别 Overvoltage Category	III	III	II
污染等级 Contamination Class	3	2	2
额定电压 Rated Voltage [V]	250	320	400
额定电流 Rated Current [A]	12	12	12
额定冲击电压 Impulse withstand voltage [KV]	4	4	4
导线截面积 Conductor cross section	硬质导线 Solid [mm ²]	/	
	柔性导线 Flexible [mm ²]	/	
材料 Material			
绝缘材料 Insulation Material	LCP		
阻燃等级 Flame retardant rating	UL94V-0		
导体材料 Conductor Material	Copper alloy		
导体表面镀层 Plating of conductor surface	Sn plated		
一般参数 Other Data			
间距/极数 Pitch/Poles [mm]/[P]	5.0,5.08/2*2-2*24		
剥线长度 Stripping Length [mm]	/		
螺丝/扭矩 Screw/Torque(Max) [N.m]	/		
工作温度 Operating temperature [°C]	-40~+130		
焊锡温度 Soldering temperature	285°C /10S		
引针尺寸 Pin dimensions [mm]	1.0*1.0		
PCB板孔径 PCB Hole Diameter [mm]	Ø1.7		

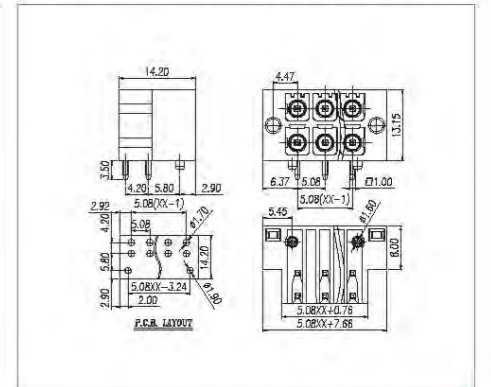
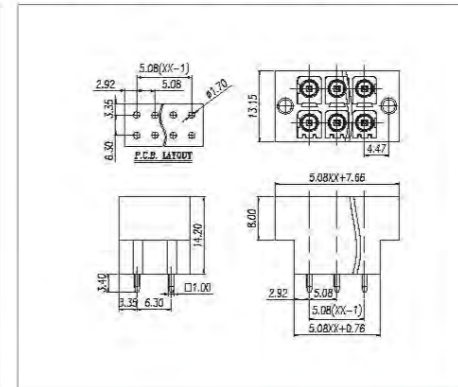
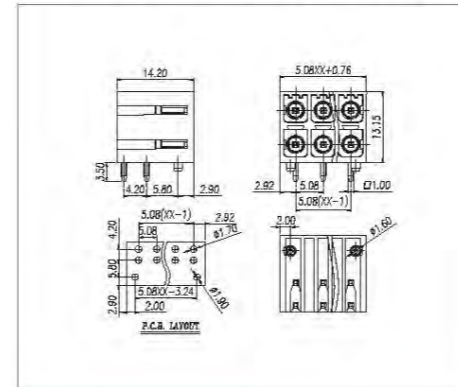
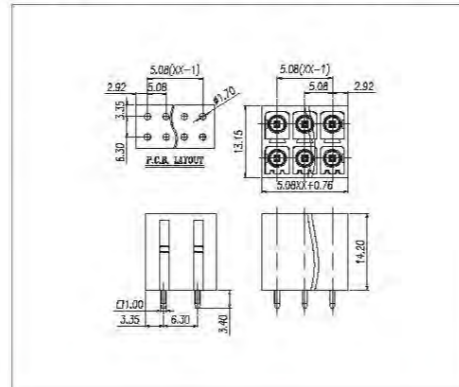
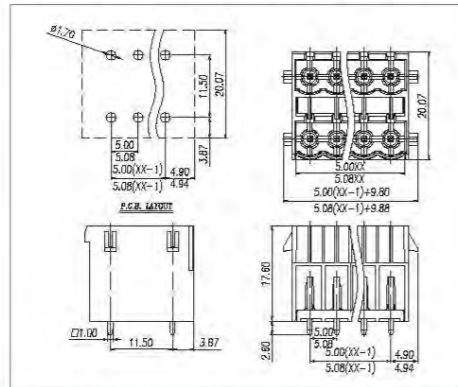
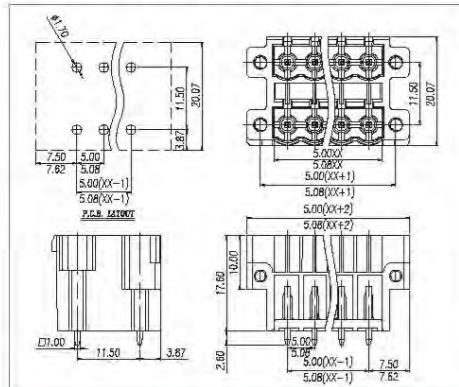
UL/CUL 技术参数 UL/CUL Technical Data			
等级 Use Group	B C D		
额定电压 Rated Voltage [V]	300	-	300
额定电流 Rated Current [A]	15	-	10
接线范围 Wire Range	单芯线 Solid [AWG]	/	
	多芯线 Stranded [AWG]	/	
耐压 Dielectric Voltage-Withstand	1.6KV		
IEC 技术参数 IEC Technical Data			
过电压类别 Overvoltage Category	III	III	II
污染等级 Contamination Class	3	2	2
额定电压 Rated Voltage [V]	250	320	400
额定电流 Rated Current [A]	12	12	12
额定冲击电压 Impulse withstand voltage [KV]	4	4	4
导线截面积 Conductor cross section	硬质导线 Solid [mm ²]	/	
	柔性导线 Flexible [mm ²]	/	
材料 Material			
绝缘材料 Insulation Material	LCP		
阻燃等级 Flame retardant rating	UL94V-0		
导体材料 Conductor Material	Copper alloy		
导体表面镀层 Plating of conductor surface	Sn plated		
一般参数 Other Data			
间距/极数 Pitch/Poles [mm]/[P]	5.0,5.08/2*2-2*24		
剥线长度 Stripping Length [mm]	/		
螺丝/扭矩 Screw/Torque(Max) [N.m]	/		
工作温度 Operating temperature [°C]	-40~+130		
焊锡温度 Soldering temperature	285°C /10S		
引针尺寸 Pin dimensions [mm]	1.0*1.0		
PCB板孔径 PCB Hole Diameter [mm]	Ø1.7		

UL/CUL 技术参数 UL/CUL Technical Data			
等级 Use Group	B C D		
额定电压 Rated Voltage [V]	300	-	300
额定电流 Rated Current [A]	10	-	10
接线范围 Wire Range	单芯线 Solid [AWG]	/	
	多芯线 Stranded [AWG]	/	
耐压 Dielectric Voltage-Withstand	1.6KV		
IEC 技术参数 IEC Technical Data			
过电压类别 Overvoltage Category	III	III	II
污染等级 Contamination Class	3	2	2
额定电压 Rated Voltage [V]	250	400	630
额定电流 Rated Current [A]	8	8	8
额定冲击电压 Impulse withstand voltage [KV]	4	4	4
导线截面积 Conductor cross section	硬质导线 Solid [mm ²]	/	
	柔性导线 Flexible [mm ²]	/	
材料 Material			
绝缘材料 Insulation Material	PA66		
阻燃等级 Flame retardant rating	UL94V-0		
导体材料 Conductor Material	Copper alloy		
导体表面镀层 Plating of conductor surface	Sn plated		
一般参数 Other Data			
间距/极数 Pitch/Poles [mm]/[P]	5.08/2*2-2*18		
剥线长度 Stripping Length [mm]	/		
螺丝/扭矩 Screw/Torque(Max) [N.m]	/		
工作温度 Operating temperature [°C]	-40~+105		
焊锡温度 Soldering temperature	260°C /5S		
引针尺寸 Pin dimensions [mm]	1.0*1.0		
PCB板孔径 PCB Hole Diameter [mm]	Ø1.7		

UL/CUL 技术参数 UL/CUL Technical Data			
等级 Use Group	B C D		
额定电压 Rated Voltage [V]	300	-	300
额定电流 Rated Current [A]	10	-	10
接线范围 Wire Range	单芯线 Solid [AWG]	/	
	多芯线 Stranded [AWG]	/	
耐压 Dielectric Voltage-Withstand	1.6KV		
IEC 技术参数 IEC Technical Data			
过电压类别 Overvoltage Category	III	III	II
污染等级 Contamination Class	3	2	2
额定电压 Rated Voltage [V]	250	400	630
额定电流 Rated Current [A]	8	8	8
额定冲击电压 Impulse withstand voltage [KV]	4	4	4
导线截面积 Conductor cross section	硬质导线 Solid [mm ²]	/	
	柔性导线 Flexible [mm ²]	/	
材料 Material			
绝缘材料 Insulation Material	PA66		
阻燃等级 Flame retardant rating	UL94V-0		
导体材料 Conductor Material	Copper alloy		
导体表面镀层 Plating of conductor surface	Sn plated		
一般参数 Other Data			
间距/极数 Pitch/Poles [mm]/[P]	5.08/2*2-2*18		
剥线长度 Stripping Length [mm]	/		
螺丝/扭矩 Screw/Torque(Max) [N.m]	/		
工作温度 Operating temperature [°C]	-40~+105		
焊锡温度 Soldering temperature	260°C /5S		
引针尺寸 Pin dimensions [mm]	1.0*1.0		
PCB板孔径 PCB Hole Diameter [mm]	Ø1.7		

UL/CUL 技术参数 UL/CUL Technical Data			
等级 Use Group	B C D		
额定电压 Rated Voltage [V]	300	-	300
额定电流 Rated Current [A]	10	-	10
接线范围 Wire Range	单芯线 Solid [AWG]	/	
	多芯线 Stranded [AWG]	/	
耐压 Dielectric Voltage-Withstand	1.6KV		
IEC 技术参数 IEC Technical Data			
过电压类别 Overvoltage Category	III	III	II
污染等级 Contamination Class	3	2	2
额定电压 Rated Voltage [V]	250	400	630
额定电流 Rated Current [A]	8	8	8
额定冲击电压 Impulse withstand voltage [KV]	4	4	4
导线截面积 Conductor cross section	硬质导线 Solid [mm ²]	/	
	柔性导线 Flexible [mm ²]	/	
材料 Material			
绝缘材料 Insulation Material	PA66		
阻燃等级 Flame retardant rating	UL94V-0		
导体材料 Conductor Material	Copper alloy		
导体表面镀层 Plating of conductor surface	Sn plated		
一般参数 Other Data			
间距/极数 Pitch/Poles [mm]/[P]	5.08/2*2-2*14		
剥线长度 Stripping Length [mm]	/		
螺丝/扭矩 Screw/Torque(Max) [N.m]	/		
工作温度 Operating temperature [°C]	-40~+105		
焊锡温度 Soldering temperature	260°C /5S		
引针尺寸 Pin dimensions [mm]	1.0*1.0		
PCB板孔径 PCB Hole Diameter [mm]	Ø1.7		

UL/CUL 技术参数 UL/CUL Technical Data			
等级 Use Group	B C D		
额定电压 Rated Voltage [V]	300	-	300
额定电流 Rated Current [A]	10	-	10
接线范围 Wire Range	单芯线 Solid [AWG]	/	
	多芯线 Stranded [AWG]	/	
耐压 Dielectric Voltage-Withstand	1.6KV		
IEC 技术参数 IEC Technical Data			
过电压类别 Overvoltage Category	III	III	II
污染等级 Contamination Class	3	2	2
额定电压 Rated Voltage [V]	250	400	630
额定电流 Rated Current [A]	8	8	8
额定冲击电压 Impulse withstand voltage [KV]	4	4	4
导线截面积 Conductor cross section	硬质导线 Solid [mm ²]	/	
	柔性导线 Flexible [mm ²]	/	
材料 Material			
绝缘材料 Insulation Material	PA66		
阻燃等级 Flame retardant rating	UL94V-0		
导体材料 Conductor Material	Copper alloy		
导体表面镀层 Plating of conductor surface	Sn plated		
一般参数 Other Data			
间距/极数 Pitch/Poles [mm]/[P]	5.08/2*2-2*14		
剥线长度 Stripping Length [mm]	/		
螺丝/扭矩 Screw/Torque(Max) [N.m]	/		
工作温度 Operating temperature [°C]	-40~+105		
焊锡温度 Soldering temperature	260°C /5S		
引针尺寸 Pin dimensions [mm]	1.0*1.0		
PCB板孔径 PCB Hole Diameter [mm]	Ø1.7		





Pitch:4.0mm

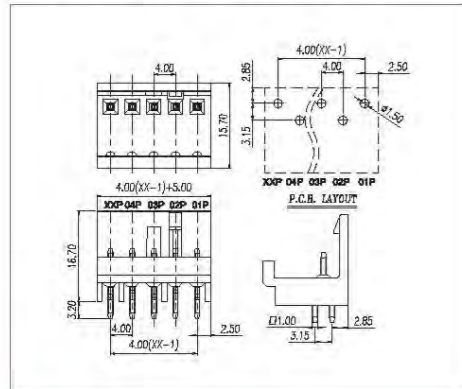
WJ2EDGJ-4.0

UL/CUL 技术参数 UL/CUL Technical Data		B	C	D
等级 Use Group		B	C	D
额定电压 Rated Voltage [V]		300	-	300
额定电流 Rated Current [A]		10	-	10
接线范围 Wire Range	单芯线 Solid [AWG] / 多芯线 Stranded [AWG]	/		
耐电压 Dielectric Voltage-Withstand		1.6KV		

IEC 技术参数 IEC Technical Data		II	III	II
过电压类别 Overvoltage Category		II	III	II
污染等级 Contamination Class		3	2	2
额定电压 Rated Voltage [V]		250	320	400
额定电流 Rated Current [A]		17.5	17.5	17.5
额定冲击电压 Impulse withstand voltage [KV]		4	4	4

材料 Material		
绝缘材料 Insulation Material	PA66	
阻燃等级 Flame retardant rating	UL94V-0	
导体材料 Conductor Material	Copper alloy	
导体表面镀层 Plating of conductor surface	Sn plated	

一般参数 Other Data		
间距/极数 Pitch/Poles [mm]/[P]	4.0/2-24	
剥线长度 Stripping Length [mm]	/	
螺丝/扭矩 Screw/Torque(Max)[N.m]	/	
工作温度 Operating temperature[°C]	-40~+105	
焊锡温度 Soldering temperature	260°C /5S	
引针尺寸 Pin dimensions [mm]	1.0*1.0	
PCB板孔径 PCB Hole Diameter [mm]	Ø1.5	



Pitch:5.08mm

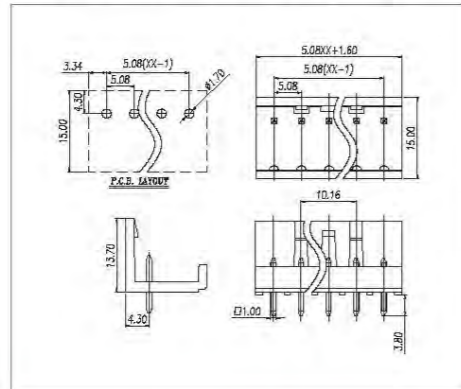
WJ2EDGJ-5.08

UL/CUL 技术参数 UL/CUL Technical Data		B	C	D
等级 Use Group		B	C	D
额定电压 Rated Voltage [V]		300	-	-
额定电流 Rated Current [A]		18	-	-
接线范围 Wire Range	单芯线 Solid [AWG] / 多芯线 Stranded [AWG]	/		
耐电压 Dielectric Voltage-Withstand		1.6KV		

IEC 技术参数 IEC Technical Data		II	III	II
过电压类别 Overvoltage Category		II	III	II
污染等级 Contamination Class		3	2	2
额定电压 Rated Voltage [V]		250	320	400
额定电流 Rated Current [A]		12	12	12
额定冲击电压 Impulse withstand voltage [KV]		4	4	4

材料 Material		
绝缘材料 Insulation Material	PA66	
阻燃等级 Flame retardant rating	UL94V-0	
导体材料 Conductor Material	Copper alloy	
导体表面镀层 Plating of conductor surface	Sn plated	

一般参数 Other Data		
间距/极数 Pitch/Poles [mm]/[P]	5.08/2-24	
剥线长度 Stripping Length [mm]	/	
螺丝/扭矩 Screw/Torque(Max)[N.m]	/	
工作温度 Operating temperature[°C]	-40~+105	
焊锡温度 Soldering temperature	260°C /5S	
引针尺寸 Pin dimensions [mm]	1.0*1.0	
PCB板孔径 PCB Hole Diameter [mm]	Ø1.7	



Pitch:5.0/5.08mm

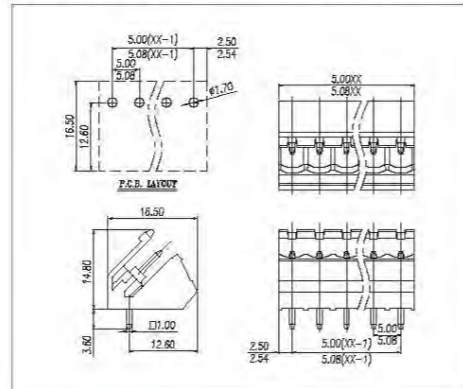
WJ2EDGL-5.0/5.08

UL/CUL 技术参数 UL/CUL Technical Data		B	C	D
等级 Use Group		B	C	D
额定电压 Rated Voltage [V]		300	-	300
额定电流 Rated Current [A]		15	-	10
接线范围 Wire Range	单芯线 Solid [AWG] / 多芯线 Stranded [AWG]	/		
耐电压 Dielectric Voltage-Withstand		1.6KV		

IEC 技术参数 IEC Technical Data		II	III	II
过电压类别 Overvoltage Category		II	III	II
污染等级 Contamination Class		3	2	2
额定电压 Rated Voltage [V]		250	320	400
额定电流 Rated Current [A]		12	12	12
额定冲击电压 Impulse withstand voltage [KV]		4	4	4

材料 Material		
绝缘材料 Insulation Material	PA66	
阻燃等级 Flame retardant rating	UL94V-0	
导体材料 Conductor Material	Copper alloy	
导体表面镀层 Plating of conductor surface	Sn plated	

一般参数 Other Data		
间距/极数 Pitch/Poles [mm]/[P]	5.0, 5.08/2~24	
剥线长度 Stripping Length [mm]	/	
螺丝/扭矩 Screw/Torque(Max)[N.m]	/	
工作温度 Operating temperature[°C]	-40~+105	
焊锡温度 Soldering temperature	260°C /5S	
引针尺寸 Pin dimensions [mm]	1.0*1.0	
PCB板孔径 PCB Hole Diameter [mm]	Ø1.7	



Pitch:5.0/5.08mm

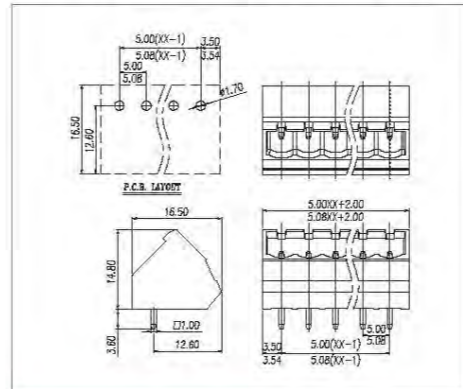
WJ2EDGLC-5.0/5.08

UL/CUL 技术参数 UL/CUL Technical Data		B	C	D
等级 Use Group		B	C	D
额定电压 Rated Voltage [V]		300	-	300
额定电流 Rated Current [A]		15	-	10
接线范围 Wire Range	单芯线 Solid [AWG] / 多芯线 Stranded [AWG]	/		
耐电压 Dielectric Voltage-Withstand		1.6KV		

IEC 技术参数 IEC Technical Data		II	III	II
过电压类别 Overvoltage Category		II	III	II
污染等级 Contamination Class		3	2	2
额定电压 Rated Voltage [V]		250	320	400
额定电流 Rated Current [A]		12	12	12
额定冲击电压 Impulse withstand voltage [KV]		4	4	4

材料 Material		
绝缘材料 Insulation Material	PA66	
阻燃等级 Flame retardant rating	UL94V-0	
导体材料 Conductor Material	Copper alloy	
导体表面镀层 Plating of conductor surface	Sn plated	

一般参数 Other Data		
间距/极数 Pitch/Poles [mm]/[P]	5.0, 5.08/2~24	
剥线长度 Stripping Length [mm]	/	
螺丝/扭矩 Screw/Torque(Max)[N.m]	/	
工作温度 Operating temperature[°C]	-40~+105	
焊锡温度 Soldering temperature	260°C /5S	
引针尺寸 Pin dimensions [mm]	1.0*1.0	
PCB板孔径 PCB Hole Diameter [mm]	Ø1.7	



Pitch:5.0/5.08mm

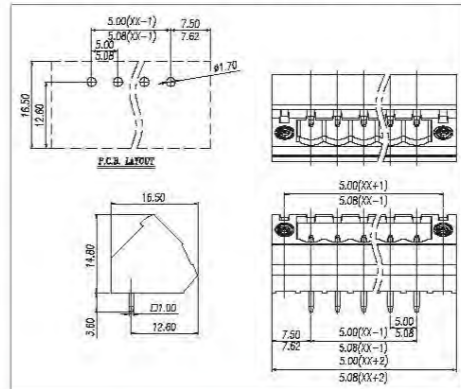
WJ2EDGLM-5.0/5.08

UL/CUL 技术参数 UL/CUL Technical Data		B	C	D
等级 Use Group		B	C	D
额定电压 Rated Voltage [V]		300	-	300
额定电流 Rated Current [A]		15	-	10
接线范围 Wire Range	单芯线 Solid [AWG] / 多芯线 Stranded [AWG]	/		
耐电压 Dielectric Voltage-Withstand		1.6KV		

IEC 技术参数 IEC Technical Data		II	III	II
过电压类别 Overvoltage Category		II	III	II
污染等级 Contamination Class		3	2	2
额定电压 Rated Voltage [V]		250	320	400
额定电流 Rated Current [A]		12	12	12
额定冲击电压 Impulse withstand voltage [KV]		4	4	4

材料 Material		
绝缘材料 Insulation Material	PA66	
阻燃等级 Flame retardant rating	UL94V-0	
导体材料 Conductor Material	Copper alloy	
导体表面镀层 Plating of conductor surface	Sn plated	

一般参数 Other Data		
间距/极数 Pitch/Poles [mm]/[P]	5.0, 5.08/2~24	
剥线长度 Stripping Length [mm]	/	
螺丝/扭矩 Screw/Torque(Max)[N.m]	/	
工作温度 Operating temperature[°C]	-40~+105	
焊锡温度 Soldering temperature	260°C /5S	
引针尺寸 Pin dimensions [mm]	1.0*1.0	
PCB板孔径 PCB Hole Diameter [mm]	Ø1.7	



Pitch:5.08mm

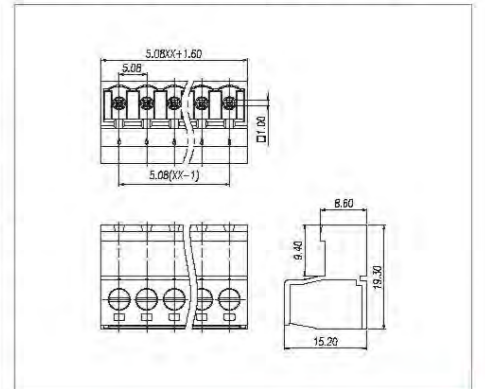
WJ2EDGKR-5.08

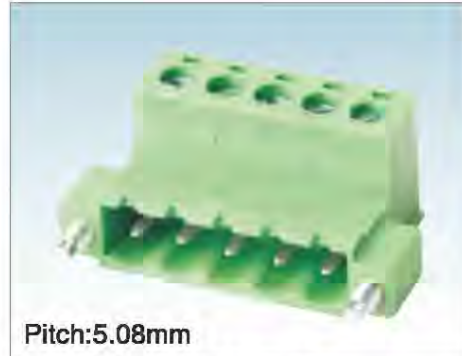
UL/CUL 技术参数 UL/CUL Technical Data		B	C	D
等级 Use Group		B	C	D
额定电压 Rated Voltage [V]		300	-	300
额定电流 Rated Current [A]		15	-	10
接线范围 Wire Range	单芯线 Solid [AWG] / 多芯线 Stranded [AWG]	28~12		
耐电压 Dielectric Voltage-Withstand		1.6KV		

IEC 技术参数 IEC Technical Data		II	III	II
过电压类别 Overvoltage Category		II	III	II
污染等级 Contamination Class		3	2	2
额定电压 Rated Voltage [V]		250	320	630
额定电流 Rated Current [A]		12	12	12
额定冲击电压 Impulse withstand voltage [KV]		4	4	4

材料 Material		
绝缘材料 Insulation Material	PA66	
阻燃等级 Flame retardant rating	UL94V-0	
导体材料 Conductor Material	Copper alloy	
导体表面镀层 Plating of conductor surface	Sn plated	

一般参数 Other Data		
间距/极数 Pitch/Poles [mm]/[P]	5.08/2~24	
剥线长度 Stripping Length [mm]	7-8	
螺丝/扭矩 Screw/Torque(Max)[N.m]	M3/0.5	
工作温度 Operating temperature[°C]	-40~+105	
焊锡温度 Soldering temperature	/	
引针尺寸 Pin dimensions [mm]	/	
PCB板孔径 PCB Hole Diameter [mm]	/	





Pitch:5.08mm

WJ2EDGKRM-5.08



Pitch:5.08mm

WJ2EDGKRN-5.08



Pitch:5.08mm

WJ2EDGKRL-5.08



Pitch:7.62mm

WJ2EDGKR-7.62



Pitch:7.62mm

WJ2EDGKRM-7.62



Pitch:7.62mm

WJ2EDGKRN-7.62

UL/CUL 技术参数 UL/CUL Technical Data			
等级	Use Group	B	C D
额定电压	Rated Voltage [V]	300	- 300
额定电流	Rated Current [A]	15	- 10
接线范围 Wire Range	单芯线 Solid [AWG]	28~12	
	多芯线 Stranded [AWG]	28~12	
耐电压	Dielectric Voltage-Withstand	1.6KV	
IEC 技术参数 IEC Technical Data			
过电压类别	Overvoltage Category	III	III II
污染等级	Contamination Class	3	2 2
额定电压	Rated Voltage [V]	250	320 630
额定电流	Rated Current [A]	12	12 12
额定冲击电压	Impulse withstand voltage [KV]	4	4 4
导线截面积 Conductor cross section	硬质导线 Solid [mm²]	0.2~2.5	
	柔性导线 Flexible [mm²]	0.2~2.5	
材料 Material			
绝缘材料	Insulation Material	PA66	
阻燃等级	Flame retardant rating	UL94V-0	
导体材料	Conductor Material	Copper alloy	
导体表面镀层	Plating of conductor surface	Sn plated	
一般参数 Other Data			
间距/极数	Pitch/Poles [mm]/[P]	5.08/2~24	
剥线长度	Stripping Length [mm]	7-8	
螺丝/扭矩	Screw/Torque(Max) [N.m]	M3/0.5	
工作温度	Operating temperature [°C]	-40~+105	
焊锡温度	Soldering temperature	/	
引针尺寸	Pin dimensions [mm]	/	
PCB板孔径	PCB Hole Diameter [mm]	/	

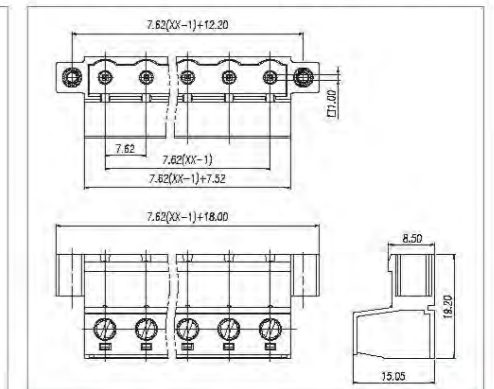
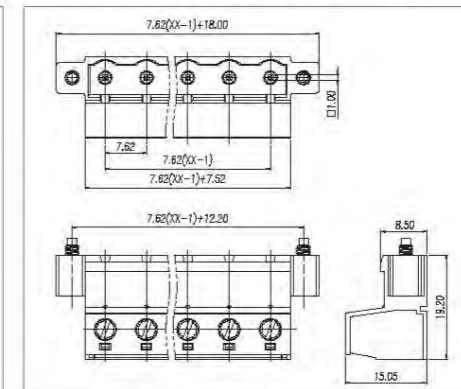
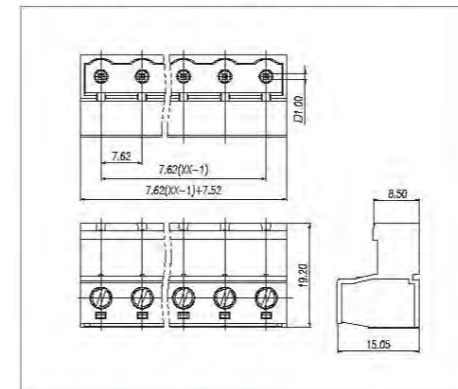
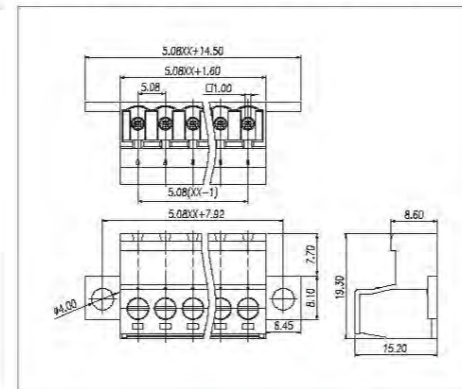
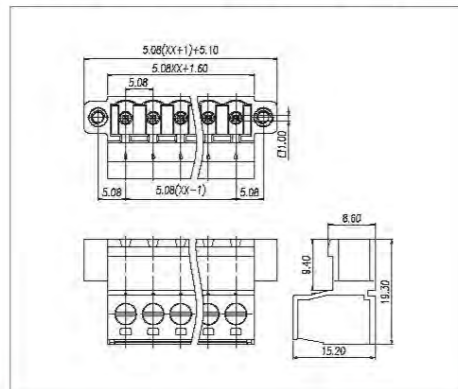
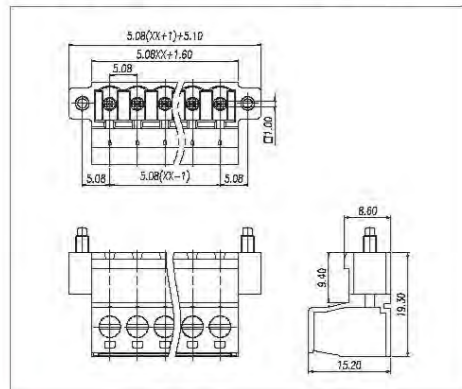
UL/CUL 技术参数 UL/CUL Technical Data			
等级	Use Group	B	C D
额定电压	Rated Voltage [V]	300	- 300
额定电流	Rated Current [A]	15	- 10
接线范围 Wire Range	单芯线 Solid [AWG]	28~12	
	多芯线 Stranded [AWG]	28~12	
耐电压	Dielectric Voltage-Withstand	1.6KV	
IEC 技术参数 IEC Technical Data			
过电压类别	Overvoltage Category	III	III II
污染等级	Contamination Class	3	2 2
额定电压	Rated Voltage [V]	250	320 630
额定电流	Rated Current [A]	12	12 12
额定冲击电压	Impulse withstand voltage [KV]	4	4 4
导线截面积 Conductor cross section	硬质导线 Solid [mm²]	0.2~2.5	
	柔性导线 Flexible [mm²]	0.2~2.5	
材料 Material			
绝缘材料	Insulation Material	PA66	
阻燃等级	Flame retardant rating	UL94V-0	
导体材料	Conductor Material	Copper alloy	
导体表面镀层	Plating of conductor surface	Sn plated	
一般参数 Other Data			
间距/极数	Pitch/Poles [mm]/[P]	5.08/2~24	
剥线长度	Stripping Length [mm]	7~8	
螺丝/扭矩	Screw/Torque(Max) [N.m]	M3/0.5	
工作温度	Operating temperature [°C]	-40~+105	
焊锡温度	Soldering temperature	/	
引针尺寸	Pin dimensions [mm]	/	
PCB板孔径	PCB Hole Diameter [mm]	/	

UL/CUL 技术参数 UL/CUL Technical Data			
等级	Use Group	B	C D
额定电压	Rated Voltage [V]	300	- 300
额定电流	Rated Current [A]	15	- 10
接线范围 Wire Range	单芯线 Solid [AWG]	28~12	
	多芯线 Stranded [AWG]	28~12	
耐电压	Dielectric Voltage-Withstand	1.6KV	
IEC 技术参数 IEC Technical Data			
过电压类别	Overvoltage Category	III	III II
污染等级	Contamination Class	3	2 2
额定电压	Rated Voltage [V]	250	320 630
额定电流	Rated Current [A]	12	12 12
额定冲击电压	Impulse withstand voltage [KV]	4	4 4
导线截面积 Conductor cross section	硬质导线 Solid [mm²]	0.2-2.5	
	柔性导线 Flexible [mm²]	0.2-2.5	
材料 Material			
绝缘材料	Insulation Material	PA66	
阻燃等级	Inflammability Class	UL94V-0	
导体材料	Conductor Material	Copper alloy	
导体表面镀层	Conductor Plating	Sn plated	
一般参数 Other Data			
间距/极数	Pitch/Poles [mm]/[P]	5.08/2-24	
剥线长度	Stripping Length [mm]	7-8	
螺丝/扭矩	Screw/Torque(Max) [N.m]	M3/0.5	
工作温度	Operating temperature [°C]	-40~+105	
焊锡温度	Soldering temperature	/	
引针尺寸	Pin dimensions [mm]	/	
PCB板孔径	PCB Hole Diameter [mm]	/	

UL/CUL 技术参数 UL/CUL Technical Data			
等级	Use Group	B	C D
额定电压	Rated Voltage [V]	300	- 300
额定电流	Rated Current [A]	15	- 10
接线范围 Wire Range	单芯线 Solid [AWG]	28~12	
	多芯线 Stranded [AWG]	28~12	
耐电压	Dielectric Voltage-Withstand	1.6KV	
IEC 技术参数 IEC Technical Data			
过电压类别	Overvoltage Category	III	III II
污染等级	Contamination Class	3	2 2
额定电压	Rated Voltage [V]	400	630 1000
额定电流	Rated Current [A]	12	12 12
额定冲击电压	Impulse withstand voltage [KV]	6	6 6
导线截面积 Conductor cross section	硬质导线 Solid [mm²]	0.2~2.5	
	柔性导线 Flexible [mm²]	0.2~2.5	
材料 Material			
绝缘材料	Insulation Material	PA66	
阻燃等级	Flame retardant rating	UL94V-0	
导体材料	Conductor Material	Copper alloy	
导体表面镀层	Plating of conductor surface	Sn plated	
一般参数 Other Data			
间距/极数	Pitch/Poles [mm]/[P]	7.62/2~24	
剥线长度	Stripping Length [mm]	7~8	
螺丝/扭矩	Screw/Torque(Max) [N.m]	M3/0.5	
工作温度	Operating temperature [°C]	-40~+105	
焊锡温度	Soldering temperature	/	
引针尺寸	Pin dimensions [mm]	/	
PCB板孔径	PCB Hole Diameter [mm]	/	

UL/CUL 技术参数 UL/CUL Technical Data			
等级	Use Group	B	C D
额定电压	Rated Voltage [V]	300	- 300
额定电流	Rated Current [A]	15	- 10
接线范围 Wire Range	单芯线 Solid [AWG]	28~12	
	多芯线 Stranded [AWG]	28~12	
耐电压	Dielectric Voltage-Withstand	1.6KV	
IEC 技术参数 IEC Technical Data			
过电压类别	Overvoltage Category	III	III II
污染等级	Contamination Class	3	2 2
额定电压	Rated Voltage [V]	400	630 1000
额定电流	Rated Current [A]	12	12 12
额定冲击电压	Impulse withstand voltage [KV]	6	6 6
导线截面积 Conductor cross section	硬质导线 Solid [mm²]	0.2~2.5	
	柔性导线 Flexible [mm²]	0.2~2.5	
材料 Material			
绝缘材料	Insulation Material	PA66	
阻燃等级	Flame retardant rating	UL94V-0	
导体材料	Conductor Material	Copper alloy	
导体表面镀层	Plating of conductor surface	Sn plated	
一般参数 Other Data			
间距/极数	Pitch/Poles [mm]/[P]	7.62/2~24	
剥线长度	Stripping Length [mm]	7~8	
螺丝/扭矩	Screw/Torque(Max) [N.m]	M3/0.5	
工作温度	Operating temperature [°C]	-40~+105	
焊锡温度	Soldering temperature	/	
引针尺寸	Pin dimensions [mm]	/	
PCB板孔径	PCB Hole Diameter [mm]	/	

UL/CUL 技术参数 UL/CUL Technical Data			
等级	Use Group	B	C D
额定电压	Rated Voltage [V]	300	- 300
额定电流	Rated Current [A]	15	- 10
接线范围 Wire Range	单芯线 Solid [AWG]	28~12	
	多芯线 Stranded [AWG]	28~12	
耐电压	Dielectric Voltage-Withstand	1.6KV	
IEC 技术参数 IEC Technical Data			
过电压类别	Overvoltage Category	III	III II
污染等级	Contamination Class	3	2 2
额定电压	Rated Voltage [V]	400	630 1000
额定电流	Rated Current [A]	12	12 12
额定冲击电压	Impulse withstand voltage [KV]	6	6 6
导线截面积 Conductor cross section	硬质导线 Solid [mm²]	0.2~2.5	
	柔性导线 Flexible [mm²]	0.2~2.5	
材料 Material			
绝缘材料	Insulation Material	PA66	
阻燃等级	Flame retardant rating	UL94V-0	
导体材料	Conductor Material	Copper alloy	
导体表面镀层	Plating of conductor surface	Sn plated	
一般参数 Other Data			
间距/极数	Pitch/Poles [mm]/[P]	7.62/2~24	
剥线长度	Stripping Length [mm]	7~8	
螺丝/扭矩	Screw/Torque(Max) [N.m]	M3/0.5	
工作温度	Operating temperature [°C]	-40~+105	
焊锡温度	Soldering temperature	/	
引针尺寸	Pin dimensions [mm]	/	
PCB板孔径	PCB Hole Diameter [mm]	/	





Pitch:5.0/5.08mm
WJ2EDGKDR-5.0/5.08



Pitch:5.0/5.08mm
WJ2EDGKDRM-5.0/5.08



Pitch:5.0/5.08mm
WJ2EDGKDRN-5.0/5.08



Pitch:5.0/5.08mm
WJ2EDGKDRG-5.0/5.08



Pitch:5.08mm
WJ2EDGKRZ-5.08



Pitch:5.08mm
WJ2EDGKRZM-5.08

UL/CUL 技术参数 UL/CUL Technical Data			
等级 Use Group	B C D		
额定电压 Rated Voltage [V]	300	-	300
额定电流 Rated Current [A]	10	-	10
接线范围 Wire Range	单芯线 Solid [AWG] 28~12		
	多芯线 Stranded [AWG] 28~12		
耐电压 Dielectric Voltage-Withstand	1.6KV		
IEC 技术参数 IEC Technical Data			
过电压类别 Overvoltage Category	III	III	II
污染等级 Contamination Class	3	2	2
额定电压 Rated Voltage [V]	320	320	630
额定电流 Rated Current [A]	12	12	12
额定冲击电压 Impulse withstand voltage [KV]	4	4	4
导线截面积 Conductor cross section	硬质导线 Solid [mm ²] 0.2~2.5		
	柔性导线 Flexible [mm ²] 0.2~2.5		
材料 Material			
绝缘材料 Insulation Material	PA66		
阻燃等级 Flame retardant rating	UL94V-0		
导体材料 Conductor Material	Copper alloy		
导体表面镀层 Plating of conductor surface	Sn plated		
一般参数 Other Data			
间距/极数 Pitch/Poles [mm]/[P]	5.0,5.08/2~24		
剥线长度 Stripping Length [mm]	9-10		
螺丝/扭矩 Screw/Torque(Max) [N.m]	/		
工作温度 Operating temperature [°C]	-40~+105		
焊锡温度 Soldering temperature	/		
引针尺寸 Pin dimensions [mm]	/		
PCB板孔径 PCB Hole Diameter [mm]	/		

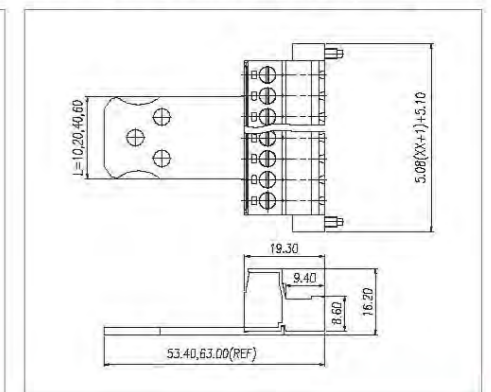
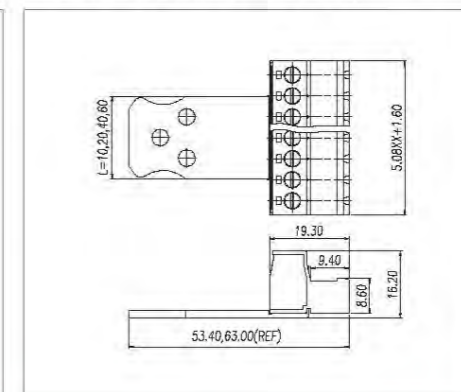
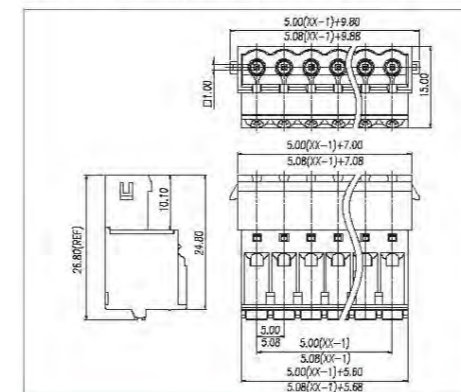
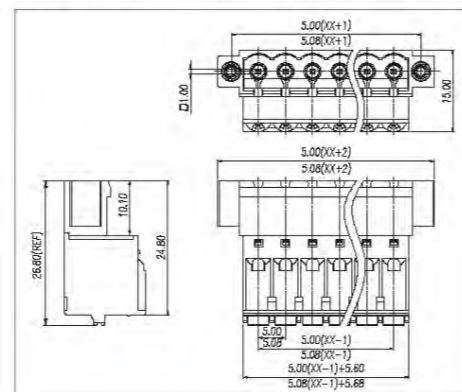
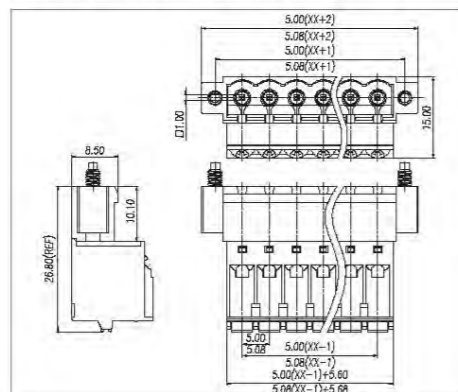
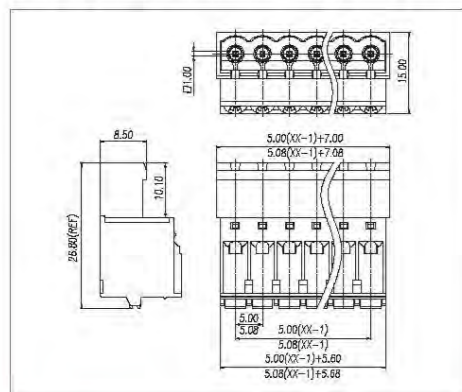
UL/CUL 技术参数 UL/CUL Technical Data			
等级 Use Group	B C D		
额定电压 Rated Voltage [V]	300	-	300
额定电流 Rated Current [A]	10	-	10
接线范围 Wire Range	单芯线 Solid [AWG] 28~12		
	多芯线 Stranded [AWG] 28~12		
耐电压 Dielectric Voltage-Withstand	1.6KV		
IEC 技术参数 IEC Technical Data			
过电压类别 Overvoltage Category	III	III	II
污染等级 Contamination Class	3	2	2
额定电压 Rated Voltage [V]	320	320	630
额定电流 Rated Current [A]	12	12	12
额定冲击电压 Impulse withstand voltage [KV]	4	4	4
导线截面积 Conductor cross section	硬质导线 Solid [mm ²] 0.2~2.5		
	柔性导线 Flexible [mm ²] 0.2~2.5		
材料 Material			
绝缘材料 Insulation Material	PA66		
阻燃等级 Flame retardant rating	UL94V-0		
导体材料 Conductor Material	Copper alloy		
导体表面镀层 Plating of conductor surface	Sn plated		
一般参数 Other Data			
间距/极数 Pitch/Poles [mm]/[P]	5.0,5.08/2~24		
剥线长度 Stripping Length [mm]	9-10		
螺丝/扭矩 Screw/Torque(Max) [N.m]	/		
工作温度 Operating temperature [°C]	-40~+105		
焊锡温度 Soldering temperature	/		
引针尺寸 Pin dimensions [mm]	/		
PCB板孔径 PCB Hole Diameter [mm]	/		

UL/CUL 技术参数 UL/CUL Technical Data			
等级 Use Group	B C D		
额定电压 Rated Voltage [V]	300	-	300
额定电流 Rated Current [A]	10	-	10
接线范围 Wire Range	单芯线 Solid [AWG] 28~12		
	多芯线 Stranded [AWG] 28~12		
耐电压 Dielectric Voltage-Withstand	1.6KV		
IEC 技术参数 IEC Technical Data			
过电压类别 Overvoltage Category	III	III	II
污染等级 Contamination Class	3	2	2
额定电压 Rated Voltage [V]	320	320	630
额定电流 Rated Current [A]	12	12	12
额定冲击电压 Impulse withstand voltage [KV]	4	4	4
导线截面积 Conductor cross section	硬质导线 Solid [mm ²] 0.2~2.5		
	柔性导线 Flexible [mm ²] 0.2~2.5		
材料 Material			
绝缘材料 Insulation Material	PA66		
阻燃等级 Flame retardant rating	UL94V-0		
导体材料 Conductor Material	Copper alloy		
导体表面镀层 Plating of conductor surface	Sn plated		
一般参数 Other Data			
间距/极数 Pitch/Poles [mm]/[P]	5.0,5.08/2~24		
剥线长度 Stripping Length [mm]	9-10		
螺丝/扭矩 Screw/Torque(Max) [N.m]	/		
工作温度 Operating temperature [°C]	-40~+105		
焊锡温度 Soldering temperature	/		
引针尺寸 Pin dimensions [mm]	/		
PCB板孔径 PCB Hole Diameter [mm]	/		

UL/CUL 技术参数 UL/CUL Technical Data			
等级 Use Group	B C D		
额定电压 Rated Voltage [V]	300	-	300
额定电流 Rated Current [A]	10	-	10
接线范围 Wire Range	单芯线 Solid [AWG] 28~12		
	多芯线 Stranded [AWG] 28~12		
耐电压 Dielectric Voltage-Withstand	1.6KV		
IEC 技术参数 IEC Technical Data			
过电压类别 Overvoltage Category	III	III	II
污染等级 Contamination Class	3	2	2
额定电压 Rated Voltage [V]	320	320	630
额定电流 Rated Current [A]	12	12	12
额定冲击电压 Impulse withstand voltage [KV]	4	4	4
导线截面积 Conductor cross section	硬质导线 Solid [mm ²] 0.2~2.5		
	柔性导线 Flexible [mm ²] 0.2~2.5		
材料 Material			
绝缘材料 Insulation Material	PA66		
阻燃等级 Flame retardant rating	UL94V-0		
导体材料 Conductor Material	Copper alloy		
导体表面镀层 Plating of conductor surface	Sn plated		
一般参数 Other Data			
间距/极数 Pitch/Poles [mm]/[P]	5.0,5.08/2~24		
剥线长度 Stripping Length [mm]	9-10		
螺丝/扭矩 Screw/Torque(Max) [N.m]	/		
工作温度 Operating temperature [°C]	-40~+105		
焊锡温度 Soldering temperature	/		
引针尺寸 Pin dimensions [mm]	/		
PCB板孔径 PCB Hole Diameter [mm]	/		

UL/CUL 技术参数 UL/CUL Technical Data			
等级 Use Group	B C D		
额定电压 Rated Voltage [V]	300	-	300
额定电流 Rated Current [A]	15	-	10
接线范围 Wire Range	单芯线 Solid [AWG] 28~12		
	多芯线 Stranded [AWG] 28~12		
耐电压 Dielectric Voltage-Withstand	1.6KV		
IEC 技术参数 IEC Technical Data			
过电压类别 Overvoltage Category	III	III	II
污染等级 Contamination Class	3	2	2
额定电压 Rated Voltage [V]	250	320	630
额定电流 Rated Current [A]	12	12	12
额定冲击电压 Impulse withstand voltage [KV]	4	4	4
导线截面积 Conductor cross section	硬质导线 Solid [mm ²] 0.2~2.5		
	柔性导线 Flexible [mm ²] 0.2~2.5		
材料 Material			
绝缘材料 Insulation Material	PA66		
阻燃等级 Flame retardant rating	UL94V-0		
导体材料 Conductor Material	Copper alloy		
导体表面镀层 Plating of conductor surface	Sn plated		
一般参数 Other Data			
间距/极数 Pitch/Poles [mm]/[P]	5.08/2~24		
剥线长度 Stripping Length [mm]	7~8		
螺丝/扭矩 Screw/Torque(Max) [N.m]	M3/0.5		
工作温度 Operating temperature [°C]	-40~+105		
焊锡温度 Soldering temperature	/		
引针尺寸 Pin dimensions [mm]	/		
PCB板孔径 PCB Hole Diameter [mm]	/		

UL/CUL 技术参数 UL/CUL Technical Data			
等级 Use Group	B C D		
额定电压 Rated Voltage [V]	300	-	300
额定电流 Rated Current [A]	15	-	10
接线范围 Wire Range	单芯线 Solid [AWG] 28~12		
	多芯线 Stranded [AWG] 28~12		
耐电压 Dielectric Voltage-Withstand	1.6KV		
IEC 技术参数 IEC Technical Data			
过电压类别 Overvoltage Category	III	III	II
污染等级 Contamination Class	3	2	2
额定电压 Rated Voltage [V]	250	320	630
额定电流 Rated Current [A]	12	12	12
额定冲击电压 Impulse withstand voltage [KV]	4	4	4
导线截面积 Conductor cross section	硬质导线 Solid [mm ²] 0.2~2.5		
	柔性导线 Flexible [mm ²] 0.2~2.5		
材料 Material			
绝缘材料 Insulation Material	PA66		
阻燃等级 Flame retardant rating	UL94V-0		
导体材料 Conductor Material	Copper alloy		
导体表面镀层 Plating of conductor surface	Sn plated		
一般参数 Other Data			
间距/极数 Pitch/Poles [mm]/[P]	5.08/2~24		
剥线长度 Stripping Length [mm]	7-8		
螺丝/扭矩 Screw/Torque(Max) [N.m]	M3/0.5		
工作温度 Operating temperature [°C]	-40~+105		
焊锡温度 Soldering temperature	/		
引针尺寸 Pin dimensions [mm]	/		
PCB板孔径 PCB Hole Diameter [mm]	/		





WJ2EDGGB-5.08



WJ2EDGGBM-5.08



WJ2EDGVK-5.08



WJ2EDGVKM-5.08



WJ2EDGUVK-5.08



WJ2EDGUVKM-5.08

UL/CUL 技术参数		UL/CUL Technical Data	
等级 Use Group	B C D	300	- 300
额定电压 Rated Voltage [V]	300 - 300		
额定电流 Rated Current [A]	15 - 10		
接线范围 Wire Range	单芯线 Solid [AWG]	28~12	
	多芯线 Stranded [AWG]	28~12	
耐电压 Dielectric Voltage-Withstand	1.6KV		
IEC 技术参数			
IEC Technical Data			
过电压类别 Overvoltage Category	III II I		
污染等级 Contamination Class	3 2 2		
额定电压 Rated Voltage [V]	320 320 630		
额定电流 Rated Current [A]	12 12 12		
额定冲击电压 Impulse withstand voltage [KV]	4 4 4		
导线截面积 Conductor cross section	硬质导线 Solid [mm ²]	0.2~2.5	
	柔性导线 Flexible [mm ²]	0.2~2.5	
材料 Material			
绝缘材料 Insulation Material	PA66		
阻燃等级 Flame retardant rating	UL94V-0		
导体材料 Conductor Material	Copper alloy		
导体表面镀层 Plating of conductor surface	Sn plated		
一般参数 Other Data			
间距/极数 Pitch/Poles [mm]/[P]	5.08/2~24		
剥线长度 Stripping Length [mm]	7-8		
螺丝/扭矩 Screw/Torque(Max) [N.m]	M3/0.5		
工作温度 Operating temperature [°C]	-40~+105		
焊锡温度 Soldering temperature	/		
引针尺寸 Pin dimensions [mm]	/		
PCB板孔径 PCB Hole Diameter [mm]	/		

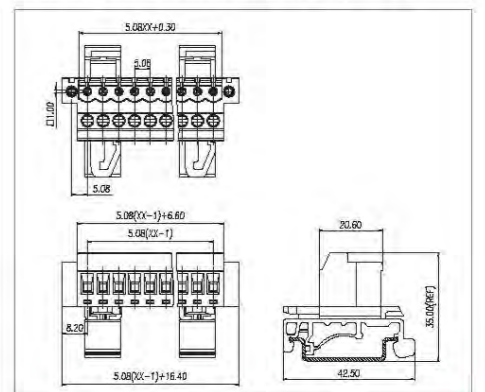
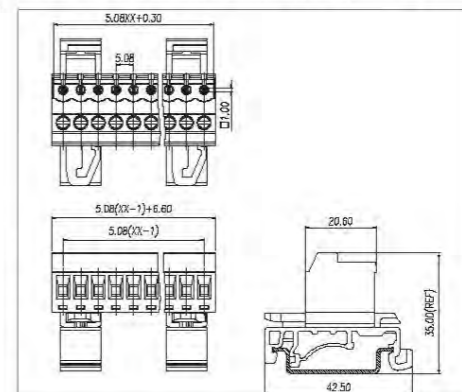
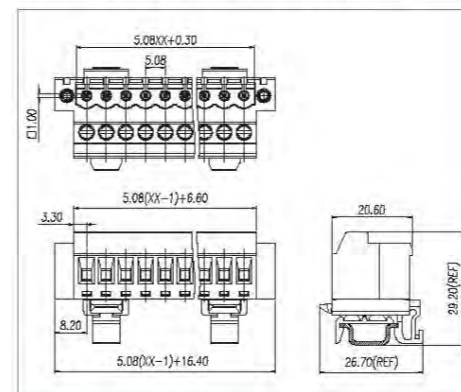
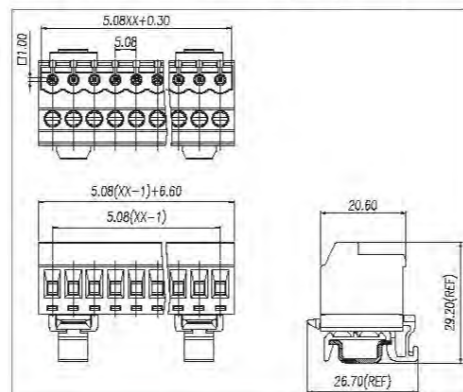
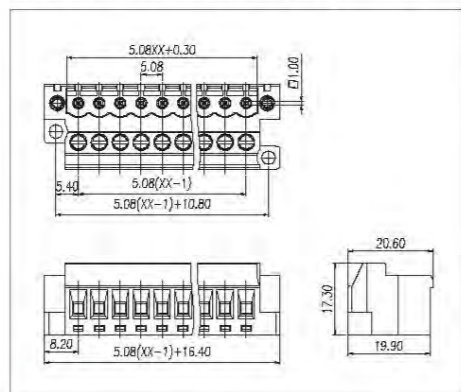
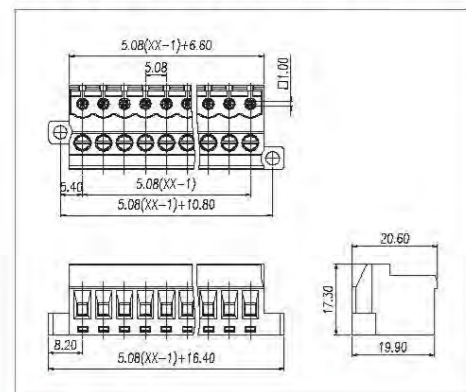
UL/CUL 技术参数		UL/CUL Technical Data	
等级 Use Group	B C D	300	- 300
额定电压 Rated Voltage [V]	300 - 300		
额定电流 Rated Current [A]	15 - 10		
接线范围 Wire Range	单芯线 Solid [AWG]	28~12	
	多芯线 Stranded [AWG]	28~12	
耐电压 Dielectric Voltage-Withstand	1.6KV		
IEC 技术参数			
IEC Technical Data			
过电压类别 Overvoltage Category	III II I		
污染等级 Contamination Class	3 2 2		
额定电压 Rated Voltage [V]	320 320 630		
额定电流 Rated Current [A]	12 12 12		
额定冲击电压 Impulse withstand voltage [KV]	4 4 4		
导线截面积 Conductor cross section	硬质导线 Solid [mm ²]	0.2~2.5	
	柔性导线 Flexible [mm ²]	0.2~2.5	
材料 Material			
绝缘材料 Insulation Material	PA66		
阻燃等级 Flame retardant rating	UL94V-0		
导体材料 Conductor Material	Copper alloy		
导体表面镀层 Plating of conductor surface	Sn plated		
一般参数 Other Data			
间距/极数 Pitch/Poles [mm]/[P]	5.08/2~24		
剥线长度 Stripping Length [mm]	7-8		
螺丝/扭矩 Screw/Torque(Max) [N.m]	M3/0.5		
工作温度 Operating temperature [°C]	-40~+105		
焊锡温度 Soldering temperature	/		
引针尺寸 Pin dimensions [mm]	/		
PCB板孔径 PCB Hole Diameter [mm]	/		

UL/CUL 技术参数		UL/CUL Technical Data	
等级 Use Group	B C D	300	- 300
额定电压 Rated Voltage [V]	300 - 300		
额定电流 Rated Current [A]	15 - 10		
接线范围 Wire Range	单芯线 Solid [AWG]	28~12	
	多芯线 Stranded [AWG]	28~12	
耐电压 Dielectric Voltage-Withstand	1.6KV		
IEC 技术参数			
IEC Technical Data			
过电压类别 Overvoltage Category	III II I		
污染等级 Contamination Class	3 2 2		
额定电压 Rated Voltage [V]	320 320 630		
额定电流 Rated Current [A]	12 12 12		
额定冲击电压 Impulse withstand voltage [KV]	4 4 4		
导线截面积 Conductor cross section	硬质导线 Solid [mm ²]	0.2~2.5	
	柔性导线 Flexible [mm ²]	0.2~2.5	
材料 Material			
绝缘材料 Insulation Material	PA66		
阻燃等级 Flame retardant rating	UL94V-0		
导体材料 Conductor Material	Copper alloy		
导体表面镀层 Plating of conductor surface	Sn plated		
一般参数 Other Data			
间距/极数 Pitch/Poles [mm]/[P]	5.08/2~24		
剥线长度 Stripping Length [mm]	7-8		
螺丝/扭矩 Screw/Torque(Max) [N.m]	M3/0.5		
工作温度 Operating temperature [°C]	-40~+105		
焊锡温度 Soldering temperature	/		
引针尺寸 Pin dimensions [mm]	/		
PCB板孔径 PCB Hole Diameter [mm]	/		

UL/CUL 技术参数		UL/CUL Technical Data	
等级 Use Group	B C D	300	- 300
额定电压 Rated Voltage [V]	300 - 300		
额定电流 Rated Current [A]	15 - 10		
接线范围 Wire Range	单芯线 Solid [AWG]	28~12	
	多芯线 Stranded [AWG]	28~12	
耐电压 Dielectric Voltage-Withstand	1.6KV		
IEC 技术参数			
IEC Technical Data			
过电压类别 Overvoltage Category	III II I		
污染等级 Contamination Class	3 2 2		
额定电压 Rated Voltage [V]	320 320 630		
额定电流 Rated Current [A]	12 12 12		
额定冲击电压 Impulse withstand voltage [KV]	4 4 4		
导线截面积 Conductor cross section	硬质导线 Solid [mm ²]	0.2~2.5	
	柔性导线 Flexible [mm ²]	0.2~2.5	
材料 Material			
绝缘材料 Insulation Material	PA66		
阻燃等级 Flame retardant rating	UL94V-0		
导体材料 Conductor Material	Copper alloy		
导体表面镀层 Plating of conductor surface	Sn plated		
一般参数 Other Data			
间距/极数 Pitch/Poles [mm]/[P]	5.08/2~24		
剥线长度 Stripping Length [mm]	7~8		
螺丝/扭矩 Screw/Torque(Max) [N.m]	M3/0.5		
工作温度 Operating temperature [°C]	-40~+105		
焊锡温度 Soldering temperature	/		
引针尺寸 Pin dimensions [mm]	/		
PCB板孔径 PCB Hole Diameter [mm]	/		

UL/CUL 技术参数		UL/CUL Technical Data	
等级 Use Group	B C D	300	- 300
额定电压 Rated Voltage [V]	300 - 300		
额定电流 Rated Current [A]	15 - 10		
接线范围 Wire Range	单芯线 Solid [AWG]	28~12	
	多芯线 Stranded [AWG]	28~12	
耐电压 Dielectric Voltage-Withstand	1.6KV		
IEC 技术参数			
IEC Technical Data			
过电压类别 Overvoltage Category	III II I		
污染等级 Contamination Class	3 2 2		
额定电压 Rated Voltage [V]	320 320 630		
额定电流 Rated Current [A]	12 12 12		
额定冲击电压 Impulse withstand voltage [KV]	4 4 4		
导线截面积 Conductor cross section	硬质导线 Solid [mm ²]	0.2~2.5	
	柔性导线 Flexible [mm ²]	0.2~2.5	
材料 Material			
绝缘材料 Insulation Material	PA66		
阻燃等级 Flame retardant rating	UL94V-0		
导体材料 Conductor Material	Copper alloy		
导体表面镀层 Plating of conductor surface	Sn plated		
一般参数 Other Data			
间距/极数 Pitch/Poles [mm]/[P]	5.08/2~24		
剥线长度 Stripping Length [mm]	7-8		
螺丝/扭矩 Screw/Torque(Max) [N.m]	M3/0.5		
工作温度 Operating temperature [°C]	-40~+105		
焊锡温度 Soldering temperature	/		
引针尺寸 Pin dimensions [mm]	/		
PCB板孔径 PCB Hole Diameter [mm]	/		

UL/CUL 技术参数		UL/CUL Technical Data	
等级 Use Group	B C D	300	- 300
额定电压 Rated Voltage [V]	300 - 300		
额定电流 Rated Current [A]	15 - 10		
接线范围 Wire Range	单芯线 Solid [AWG]	28~12	
	多芯线 Stranded [AWG]	28~12	
耐电压 Dielectric Voltage-Withstand	1.6KV		
IEC 技术参数			
IEC Technical Data			
过电压类别 Overvoltage Category	III II I		
污染等级 Contamination Class	3 2 2		
额定电压 Rated Voltage [V]	320 320 630		
额定电流 Rated Current [A]	12 12 12		
额定冲击电压 Impulse withstand voltage [KV]	4 4 4		
导线截面积 Conductor cross section	硬质导线 Solid [mm ²]	0.2~2.5	
	柔性导线 Flexible [mm ²]	0.2~2.5	
材料 Material			
绝缘材料 Insulation Material	PA66		
阻燃等级 Flame retardant rating	UL94V-0		
导体材料 Conductor Material	Copper alloy		
导体表面镀层 Plating of conductor surface	Sn plated		
一般参数 Other Data			
间距/极数 Pitch/Poles [mm]/[P]	5.08/2~24		
剥线长度 Stripping Length [mm]	7~8		
螺丝/扭矩 Screw/Torque(Max) [N.m]	M3/0.5		
工作温度 Operating temperature [°C]	-40~+105		
焊锡温度 Soldering temperature	/		
引针尺寸 Pin dimensions [mm]	/		
PCB板孔径 PCB Hole Diameter [mm]	/		

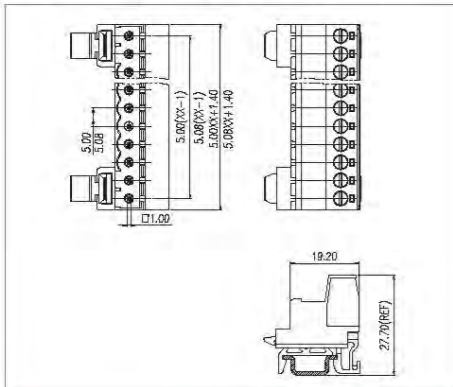




Pitch:5.0/5.08mm

WJ2EDGRK-5.0/5.08

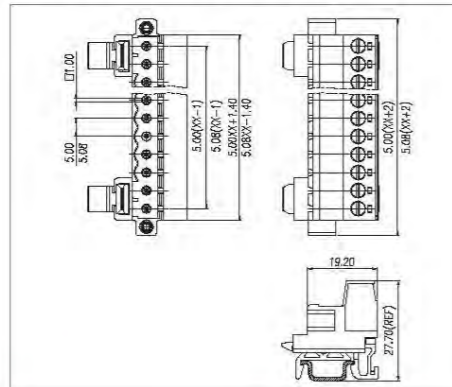
UL/CUL 技术参数 UL/CUL Technical Data			
等级 Use Group	B C D		
额定电压 Rated Voltage [V]	300 - 300		
额定电流 Rated Current [A]	15 - 10		
接线范围 Wire Range	单芯线 Solid [AWG]	28~12	
	多芯线 Stranded [AWG]	28~12	
耐电压 Dielectric Voltage-Withstand	1.6KV		
IEC 技术参数 IEC Technical Data			
过电压类别 Overvoltage Category	III IIII IIII		
污染等级 Contamination Class	3 2 2		
额定电压 Rated Voltage [V]	250 320 630		
额定电流 Rated Current [A]	12 12 12		
额定冲击电压 Impulse withstand voltage [KV]	4 4 4		
导线截面积 Conductor cross section	硬质导线 Solid [mm²]	0.2~2.5	
	柔性导线 Flexible [mm²]	0.2~2.5	
材料 Material			
绝缘材料 Insulation Material	PA66		
阻燃等级 Flame retardant rating	UL94V-0		
导体材料 Conductor Material	Copper alloy		
导体表面镀层 Plating of conductor surface	Sn plated		
一般参数 Other Data			
间距/极数 Pitch/Poles [mm]/[P]	5.0,5.08/2~24		
剥线长度 Stripping Length [mm]	7-8		
螺丝/扭矩 Screw/Torque(Max)[N.m]	M3/0.5		
工作温度 Operating temperature [°C]	-40~+105		
焊接温度 Soldering temperature	/		
引针尺寸 Pin dimensions [mm]	/		
PCB板孔径 PCB Hole Diameter [mm]	/		



Pitch:5.0/5.08mm

WJ2EDGRKM-5.0/5.08

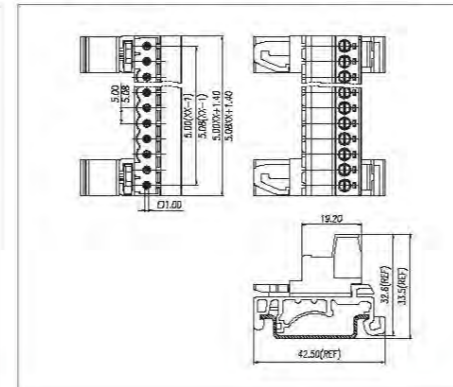
UL/CUL 技术参数 UL/CUL Technical Data			
等级 Use Group	B C D		
额定电压 Rated Voltage [V]	300 - 300		
额定电流 Rated Current [A]	15 - 10		
接线范围 Wire Range	单芯线 Solid [AWG]	28~12	
	多芯线 Stranded [AWG]	28~12	
耐电压 Dielectric Voltage-Withstand	1.6KV		
IEC 技术参数 IEC Technical Data			
过电压类别 Overvoltage Category	III IIII IIII		
污染等级 Contamination Class	3 2 2		
额定电压 Rated Voltage [V]	250 320 630		
额定电流 Rated Current [A]	12 12 12		
额定冲击电压 Impulse withstand voltage [KV]	4 4 4		
导线截面积 Conductor cross section	硬质导线 Solid [mm²]	0.2~2.5	
	柔性导线 Flexible [mm²]	0.2~2.5	
材料 Material			
绝缘材料 Insulation Material	PA66		
阻燃等级 Flame retardant rating	UL94V-0		
导体材料 Conductor Material	Copper alloy		
导体表面镀层 Plating of conductor surface	Sn plated		
一般参数 Other Data			
间距/极数 Pitch/Poles [mm]/[P]	5.0,5.08/2~24		
剥线长度 Stripping Length [mm]	7-8		
螺丝/扭矩 Screw/Torque(Max)[N.m]	M3/0.5		
工作温度 Operating temperature [°C]	-40~+105		
焊接温度 Soldering temperature	/		
引针尺寸 Pin dimensions [mm]	/		
PCB板孔径 PCB Hole Diameter [mm]	/		



Pitch:5.0/5.08mm

WJ2EDGURK-5.0/5.08

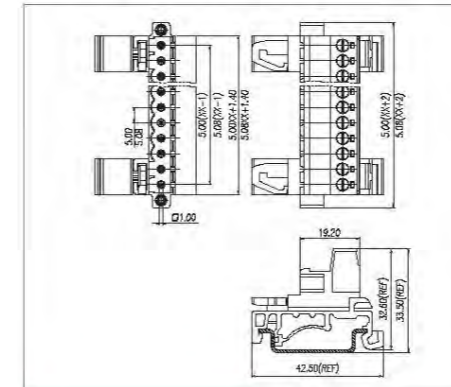
UL/CUL 技术参数 UL/CUL Technical Data			
等级 Use Group	B C D		
额定电压 Rated Voltage [V]	300 - 300		
额定电流 Rated Current [A]	15 - 10		
接线范围 Wire Range	单芯线 Solid [AWG]	28~12	
	多芯线 Stranded [AWG]	28~12	
耐电压 Dielectric Voltage-Withstand	1.6KV		
IEC 技术参数 IEC Technical Data			
过电压类别 Overvoltage Category	III IIII IIII		
污染等级 Contamination Class	3 2 2		
额定电压 Rated Voltage [V]	250 320 630		
额定电流 Rated Current [A]	12 12 12		
额定冲击电压 Impulse withstand voltage [KV]	4 4 4		
导线截面积 Conductor cross section	硬质导线 Solid [mm²]	0.2~2.5	
	柔性导线 Flexible [mm²]	0.2~2.5	
材料 Material			
绝缘材料 Insulation Material	PA66		
阻燃等级 Flame retardant rating	UL94V-0		
导体材料 Conductor Material	Copper alloy		
导体表面镀层 Plating of conductor surface	Sn plated		
一般参数 Other Data			
间距/极数 Pitch/Poles [mm]/[P]	5.0,5.08/2~24		
剥线长度 Stripping Length [mm]	7-8		
螺丝/扭矩 Screw/Torque(Max)[N.m]	M3/0.5		
工作温度 Operating temperature [°C]	-40~+105		
焊接温度 Soldering temperature	/		
引针尺寸 Pin dimensions [mm]	/		
PCB板孔径 PCB Hole Diameter [mm]	/		



Pitch:5.0/5.08mm

WJ2EDGURKM-5.0/5.08

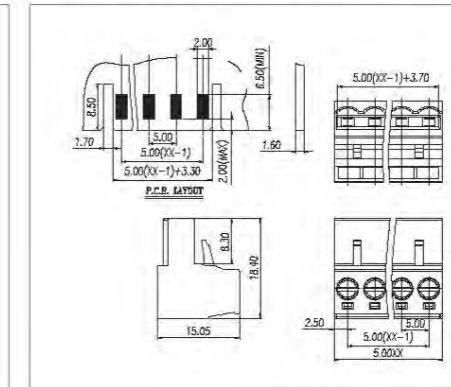
UL/CUL 技术参数 UL/CUL Technical Data			
等级 Use Group	B C D		
额定电压 Rated Voltage [V]	300 - 300		
额定电流 Rated Current [A]	15 - 10		
接线范围 Wire Range	单芯线 Solid [AWG]	28~12	
	多芯线 Stranded [AWG]	28~12	
耐电压 Dielectric Voltage-Withstand	1.6KV		
IEC 技术参数 IEC Technical Data			
过电压类别 Overvoltage Category	III IIII IIII		
污染等级 Contamination Class	3 2 2		
额定电压 Rated Voltage [V]	250 320 630		
额定电流 Rated Current [A]	12 12 12		
额定冲击电压 Impulse withstand voltage [KV]	4 4 4		
导线截面积 Conductor cross section	硬质导线 Solid [mm²]	0.2~2.5	
	柔性导线 Flexible [mm²]	0.2~2.5	
材料 Material			
绝缘材料 Insulation Material	PA66		
阻燃等级 Flame retardant rating	UL94V-0		
导体材料 Conductor Material	Copper alloy		
导体表面镀层 Plating of conductor surface	Sn plated		
一般参数 Other Data			
间距/极数 Pitch/Poles [mm]/[P]	5.0,5.08/2~24		
剥线长度 Stripping Length [mm]	7-8		
螺丝/扭矩 Screw/Torque(Max)[N.m]	M3/0.5		
工作温度 Operating temperature [°C]	-40~+105		
焊接温度 Soldering temperature	/		
引针尺寸 Pin dimensions [mm]	/		
PCB板孔径 PCB Hole Diameter [mm]	/		



Pitch:5.0mm

WJ2EDGKP-5.0

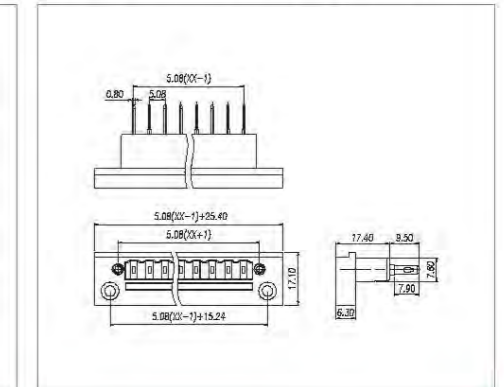
UL/CUL 技术参数 UL/CUL Technical Data			
等级 Use Group	B C D		
额定电压 Rated Voltage [V]	300 - 300		
额定电流 Rated Current [A]	10 - 10		
接线范围 Wire Range	单芯线 Solid [AWG]	28~12	
	多芯线 Stranded [AWG]	28~12	
耐电压 Dielectric Voltage-Withstand	1.6KV		
IEC 技术参数 IEC Technical Data			
过电压类别 Overvoltage Category	III IIII IIII		
污染等级 Contamination Class	3 2 2		
额定电压 Rated Voltage [V]	160 250 320		
额定电流 Rated Current [A]	17.5 17.5 17.5		
额定冲击电压 Impulse withstand voltage [KV]	4 4 4		
导线截面积 Conductor cross section	硬质导线 Solid [mm²]	0.2~2.5	
	柔性导线 Flexible [mm²]	0.2~2.5	
材料 Material			
绝缘材料 Insulation Material	PA66		
阻燃等级 Flame retardant rating	UL94V-0		
导体材料 Conductor Material	Copper alloy		
导体表面镀层 Plating of conductor surface	Sn plated		
一般参数 Other Data			
间距/极数 Pitch/Poles [mm]/[P]	5.0/2~24		
剥线长度 Stripping Length [mm]	7-8		
螺丝/扭矩 Screw/Torque(Max)[N.m]	M3/0.5		
工作温度 Operating temperature [°C]	-40~+105		
焊接温度 Soldering temperature	/		
引针尺寸 Pin dimensions [mm]	/		
PCB板孔径 PCB Hole Diameter [mm]	/		



Pitch: 5.08mm

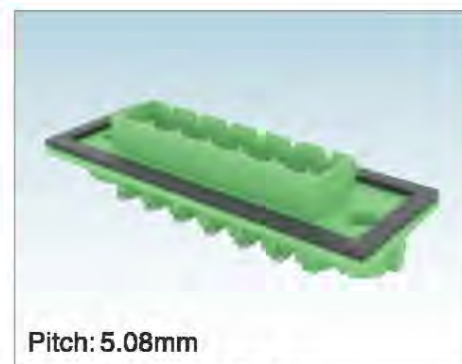
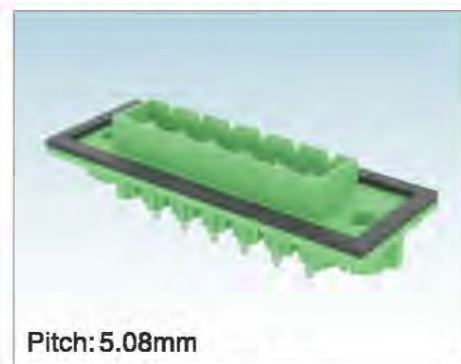
WJ2CDGM-5.08

UL/CUL 技术参数 UL/CUL Technical Data			
等级 Use Group	B C D		
额定电压 Rated Voltage [V]	300 - 300		
额定电流 Rated Current [A]	15 - 10		
接线范围 Wire Range	单芯线 Solid [AWG]	/	
	多芯线 Stranded [AWG]	/	
耐电压 Dielectric Voltage-Withstand	1.6KV		
IEC 技术参数 IEC Technical Data			
过电压类别 Overvoltage Category	III IIII IIII		
污染等级 Contamination Class	3 2 2		
额定电压 Rated Voltage [V]	320 320 630		
额定电流 Rated Current [A]	12 12 12		
额定冲击电压 Impulse withstand voltage [KV]	4 4 4		
导线截面积 Conductor cross section	硬质导线 Solid [mm²]	/	
	柔性导线 Flexible [mm²]	/	
材料 Material			
绝缘材料 Insulation Material	PA66		
阻燃等级 Flame retardant rating	UL94V-0		
导体材料 Conductor Material	Copper alloy		
导体表面镀层 Plating of conductor surface	Sn plated		
一般参数 Other Data			
间距/极数 Pitch/Poles [mm]/[P]	5.08/2~24		
剥线长度 Stripping Length [mm]	/		
螺丝/扭矩 Screw/Torque(Max)[N.m]	/		
工作温度 Operating temperature [°C]	-40~+105		
焊接温度 Soldering temperature	/		
引针尺寸 Pin dimensions [mm]	/		
PCB板孔径 PCB Hole Diameter [mm]	/		





ISO14001 ISO45001 ISO9001 ISO80079-34 ISO/TS 22163



Pitch: 5.08mm
WJ2CDGVC-5.08

Pitch: 5.08mm
WJ2CDGRC-5.08

Pitch: 5.08mm
WJ2CDGVM-5.08

Pitch: 5.08mm
WJ2CDGRM-5.08

Pitch: 5.08mm
WJ2CDBVC-5.08

Pitch: 5.08mm
WJ2CDBRC-5.08

UL/CUL 技术参数
UL/CUL Technical Data

等级	Use Group	B	C	D
额定电压	Rated Voltage [V]	300	-	300
额定电流	Rated Current [A]	15	-	10
接线范围	单芯线 Solid [AWG]	/		
Wire Range	多芯线 Stranded [AWG]	/		
耐电压	Dielectric Voltage-Withstand	1.6KV		

IEC 技术参数
IEC Technical Data

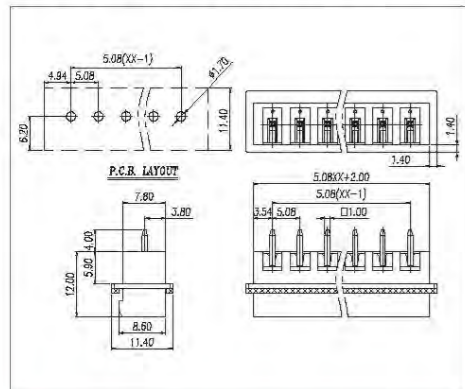
过电压类别	Overvoltage Category	III	II	II
污染等级	Contamination Class	3	2	2
额定电压	Rated Voltage [V]	250	320	400
额定电流	Rated Current [A]	10	10	10
额定冲击电压	Impulse withstand voltage [KV]	4	4	4
导线截面积	硬质导线 Solid [mm ²]	/		
Conductor cross section	柔性导线 Flexible [mm ²]	/		

材料 Material

绝缘材料	Insulation Material	PBT
阻燃等级	Flame retardant rating	UL94V-0
导体材料	Conductor Material	Copper alloy
导体表面镀层	Plating of conductor surface	Sn plated

一般参数 Other Data

间距/极数	Pitch/Poles [mm]/[P]	5.08/2~24
剥线长度	Stripping Length [mm]	/
螺丝/扭矩	Screw/Torque(Max) [N.m]	/
工作温度	Operating temperature [°C]	-40~+105
焊锡温度	Soldering temperature	260°C /5S
引针尺寸	Pin dimensions [mm]	1.0*1.0
PCB板孔径	PCB Hole Diameter [mm]	∅1.7



UL/CUL 技术参数
UL/CUL Technical Data

等级	Use Group	B	C	D
额定电压	Rated Voltage [V]	300	-	300
额定电流	Rated Current [A]	15	-	10
接线范围	单芯线 Solid [AWG]	/		
Wire Range	多芯线 Stranded [AWG]	/		
耐电压	Dielectric Voltage-Withstand	1.6KV		

IEC 技术参数
IEC Technical Data

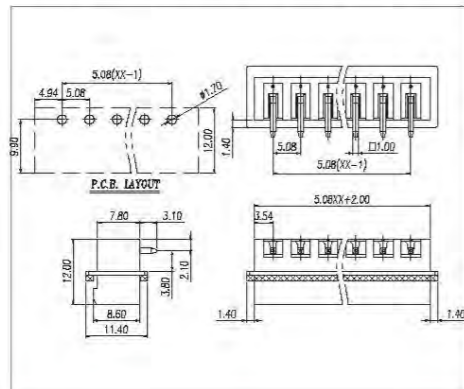
过电压类别	Overvoltage Category	III	II	II
污染等级	Contamination Class	3	2	2
额定电压	Rated Voltage [V]	250	320	400
额定电流	Rated Current [A]	10	10	10
额定冲击电压	Impulse withstand voltage [KV]	4	4	4
导线截面积	硬质导线 Solid [mm ²]	/		
Conductor cross section	柔性导线 Flexible [mm ²]	/		

材料 Material

绝缘材料	Insulation Material	PBT
阻燃等级	Flame retardant rating	UL94V-0
导体材料	Conductor Material	Copper alloy
导体表面镀层	Plating of conductor surface	Sn plated

一般参数 Other Data

间距/极数	Pitch/Poles [mm]/[P]	5.08/2~24
剥线长度	Stripping Length [mm]	/
螺丝/扭矩	Screw/Torque(Max) [N.m]	/
工作温度	Operating temperature [°C]	-40~+105
焊锡温度	Soldering temperature	260°C /5S
引针尺寸	Pin dimensions [mm]	1.0*1.0
PCB板孔径	PCB Hole Diameter [mm]	∅1.7



UL/CUL 技术参数
UL/CUL Technical Data

等级	Use Group	B	C	D
额定电压	Rated Voltage [V]	300	-	300
额定电流	Rated Current [A]	15	-	10
接线范围	单芯线 Solid [AWG]	/		
Wire Range	多芯线 Stranded [AWG]	/		
耐电压	Dielectric Voltage-Withstand	1.6KV		

IEC 技术参数
IEC Technical Data

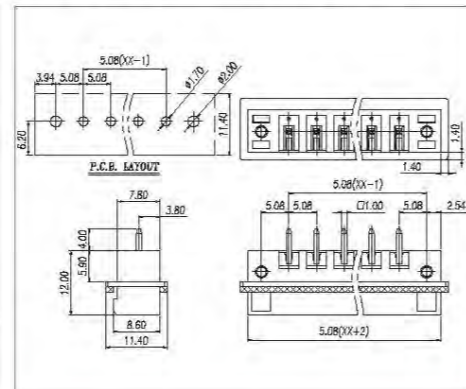
过电压类别	Overvoltage Category	III	II	II
污染等级	Contamination Class	3	2	2
额定电压	Rated Voltage [V]	250	320	400
额定电流	Rated Current [A]	10	10	10
额定冲击电压	Impulse withstand voltage [KV]	4	4	4
导线截面积	硬质导线 Solid [mm ²]	/		
Conductor cross section	柔性导线 Flexible [mm ²]	/		

材料 Material

绝缘材料	Insulation Material	PBT
阻燃等级	Flame retardant rating	UL94V-0
导体材料	Conductor Material	Copper alloy
导体表面镀层	Plating of conductor surface	Sn plated

一般参数 Other Data

间距/极数	Pitch/Poles [mm]/[P]	5.08/2~24
剥线长度	Stripping Length [mm]	/
螺丝/扭矩	Screw/Torque(Max) [N.m]	/
工作温度	Operating temperature [°C]	-40~+105
焊锡温度	Soldering temperature	260°C /5S
引针尺寸	Pin dimensions [mm]	1.0*1.0
PCB板孔径	PCB Hole Diameter [mm]	∅1.7



UL/CUL 技术参数
UL/CUL Technical Data

等级	Use Group	B	C	D
额定电压	Rated Voltage [V]	300	-	300
额定电流	Rated Current [A]	15	-	10
接线范围	单芯线 Solid [AWG]	/		
Wire Range	多芯线 Stranded [AWG]	/		
耐电压	Dielectric Voltage-Withstand	1.6KV		

IEC 技术参数
IEC Technical Data

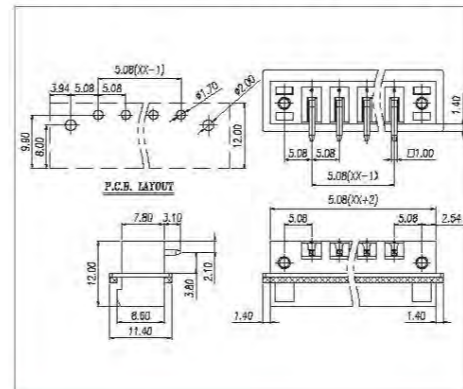
过电压类别	Overvoltage Category	III	II	II
污染等级	Contamination Class	3	2	2
额定电压	Rated Voltage [V]	250	320	400
额定电流	Rated Current [A]	10	10	10
额定冲击电压	Impulse withstand voltage [KV]	4	4	4
导线截面积	硬质导线 Solid [mm ²]	/		
Conductor cross section	柔性导线 Flexible [mm ²]	/		

材料 Material

绝缘材料	Insulation Material	PBT
阻燃等级	Flame retardant rating	UL94V-0
导体材料	Conductor Material	Copper alloy
导体表面镀层	Plating of conductor surface	Sn plated

一般参数 Other Data

间距/极数	Pitch/Poles [mm]/[P]	5.08/2~24
剥线长度	Stripping Length [mm]	/
螺丝/扭矩	Screw/Torque(Max) [N.m]	/
工作温度	Operating temperature [°C]	-40~+105
焊锡温度	Soldering temperature	260°C /5S
引针尺寸	Pin dimensions [mm]	1.0*1.0
PCB板孔径	PCB Hole Diameter [mm]	∅1.7



UL/CUL 技术参数
UL/CUL Technical Data

等级	Use Group	B	C	D
额定电压	Rated Voltage [V]	300	-	300
额定电流	Rated Current [A]	15	-	10
接线范围	单芯线 Solid [AWG]	/		
Wire Range	多芯线 Stranded [AWG]	/		
耐电压	Dielectric Voltage-Withstand	1.6KV		

IEC 技术参数
IEC Technical Data

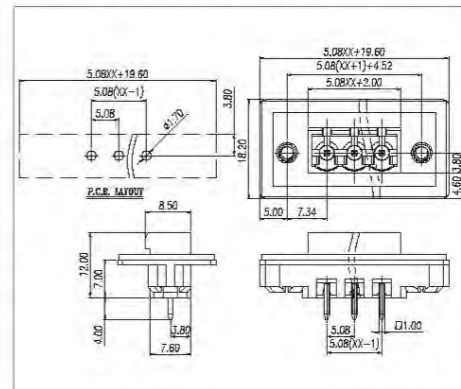
过电压类别	Overvoltage Category	III	II	II
污染等级	Contamination Class	3	2	2
额定电压	Rated Voltage [V]	250	320	400
额定电流	Rated Current [A]	12	12	12
额定冲击电压	Impulse withstand voltage [KV]	4	4	4
导线截面积	硬质导线 Solid [mm ²]	/		
Conductor cross section	柔性导线 Flexible [mm ²]	/		

材料 Material

绝缘材料	Insulation Material	PA66+GF
阻燃等级	Flame retardant rating	UL94V-0
导体材料	Conductor Material	Copper alloy
导体表面镀层	Plating of conductor surface	Sn plated

一般参数 Other Data

间距/极数	Pitch/Poles [mm]/[P]	5.08/2~22
剥线长度	Stripping Length [mm]	/
螺丝/扭矩	Screw/Torque(Max) [N.m]	/
工作温度	Operating temperature [°C]	-40~+105
焊锡温度	Soldering temperature	260°C /5S
引针尺寸	Pin dimensions [mm]	1.0*1.0
PCB板孔径	PCB Hole Diameter [mm]	∅1.7



UL/CUL 技术参数
UL/CUL Technical Data

等级	Use Group	B	C	D
额定电压	Rated Voltage [V]	300	-	300
额定电流	Rated Current [A]	15	-	10
接线范围	单芯线 Solid [AWG]	/		
Wire Range	多芯线 Stranded [AWG]	/		
耐电压	Dielectric Voltage-Withstand	1.6KV		

IEC 技术参数
IEC Technical Data

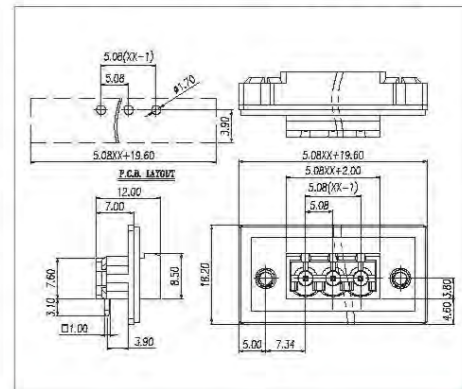
过电压类别	Overvoltage Category	III	II	II
污染等级	Contamination Class	3	2	2
额定电压	Rated Voltage [V]	250	320	400
额定电流	Rated Current [A]	12	12	12
额定冲击电压	Impulse withstand voltage [KV]	4	4	4
导线截面积	硬质导线 Solid [mm ²]	/		
Conductor cross section	柔性导线 Flexible [mm ²]	/		

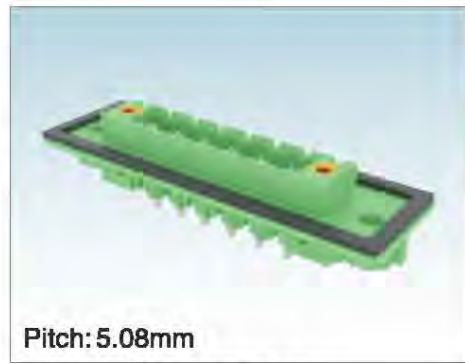
材料 Material

绝缘材料	Insulation Material	PA66+GF
阻燃等级	Flame retardant rating	UL94V-0
导体材料	Conductor Material	Copper alloy
导体表面镀层	Plating of conductor surface	Sn plated

一般参数 Other Data

间距/极数	Pitch/Poles [mm]/[P]	5.08/2~22
剥线长度	Stripping Length [mm]	/
螺丝/扭矩	Screw/Torque(Max) [N.m]	/
工作温度	Operating temperature [°C]	-40~+105
焊锡温度	Soldering temperature	260°C /5S
引针尺寸	Pin dimensions [mm]	1.0*1.0
PCB板孔径	PCB Hole Diameter [mm]	∅1.7

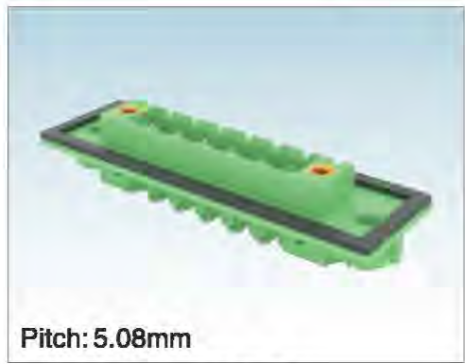
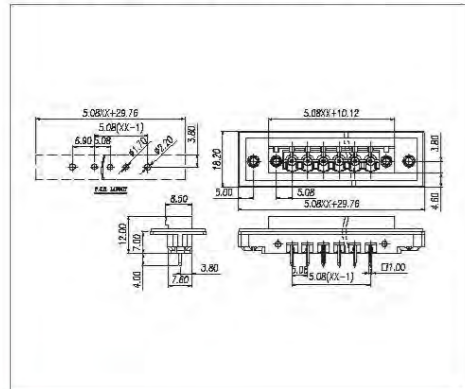




Pitch: 5.08mm

WJ2CDBVM-5.08

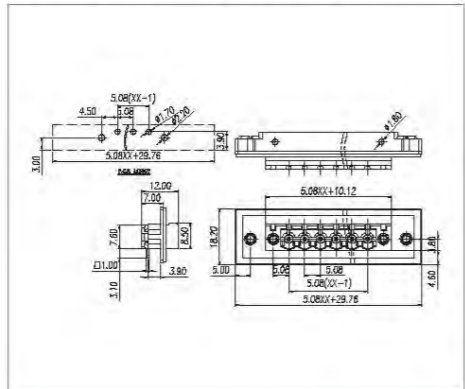
UL/CUL 技术参数 UL/CUL Technical Data			
等级	Use Group	B	C D
额定电压	Rated Voltage [V]	300	- 300
额定电流	Rated Current [A]	15	- 10
接线范围	单芯线 Solid [AWG]	/	/
Wire Range	多芯线 Stranded [AWG]	/	/
耐电压	Dielectric Voltage-Withstand	1.6KV	
IEC 技术参数 IEC Technical Data			
过电压类别	Overvoltage Category	III	III II
污染等级	Contamination Class	3	2 2
额定电压	Rated Voltage [V]	250	320 400
额定电流	Rated Current [A]	12	12 12
额定冲击电压	Impulse withstand voltage [kV]	4	4 4
导线截面积	硬质导线 Solid [mm ²]	/	/
Conductor cross section	柔性导线 Flexible [mm ²]	/	/
材料 Material			
绝缘材料	Insulation Material	PA66+GF	
阻燃等级	Flame retardant rating	UL94V-0	
导体材料	Conductor Material	Copper alloy	
导体表面镀层	Plating of conductor surface	Sn plated	
一般参数 Other Data			
间距/极数	Pitch/Poles [mm]/[P]	5.08/2~22	
剥线长度	Stripping Length [mm]	/	
螺丝/扭矩	Screw/Torque(Max) [N.m]	/	
工作温度	Operating temperature [°C]	-40~+105	
焊锡温度	Soldering temperature	260°C /5S	
引针尺寸	Pin dimensions [mm]	1.0*1.0	
PCB板孔径	PCB Hole Diameter [mm]	Ø1.7	



Pitch: 5.08mm

WJ2CDBRM-5.08

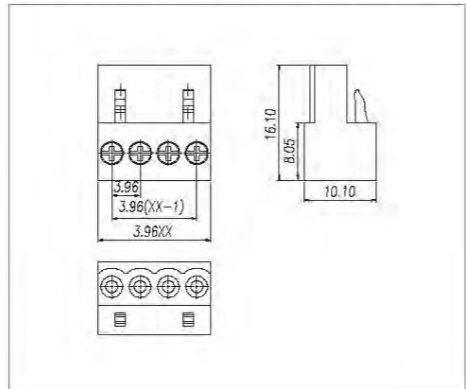
UL/CUL 技术参数 UL/CUL Technical Data			
等级	Use Group	B	C D
额定电压	Rated Voltage [V]	300	- 300
额定电流	Rated Current [A]	15	- 10
接线范围	单芯线 Solid [AWG]	/	/
Wire Range	多芯线 Stranded [AWG]	/	/
耐电压	Dielectric Voltage-Withstand	1.6KV	
IEC 技术参数 IEC Technical Data			
过电压类别	Overvoltage Category	III	III II
污染等级	Contamination Class	3	2 2
额定电压	Rated Voltage [V]	250	320 400
额定电流	Rated Current [A]	12	12 12
额定冲击电压	Impulse withstand voltage [kV]	4	4 4
导线截面积	硬质导线 Solid [mm ²]	/	/
Conductor cross section	柔性导线 Flexible [mm ²]	/	/
材料 Material			
绝缘材料	Insulation Material	PA66+GF	
阻燃等级	Flame retardant rating	UL94V-0	
导体材料	Conductor Material	Copper alloy	
导体表面镀层	Plating of conductor surface	Sn plated	
一般参数 Other Data			
间距/极数	Pitch/Poles [mm]/[P]	5.08/2~22	
剥线长度	Stripping Length [mm]	/	
螺丝/扭矩	Screw/Torque(Max) [N.m]	/	
工作温度	Operating temperature [°C]	-40~+105	
焊锡温度	Soldering temperature	260°C /5S	
引针尺寸	Pin dimensions [mm]	1.0*1.0	
PCB板孔径	PCB Hole Diameter [mm]	Ø1.7	



Pitch: 3.96mm

HT396K-3.96

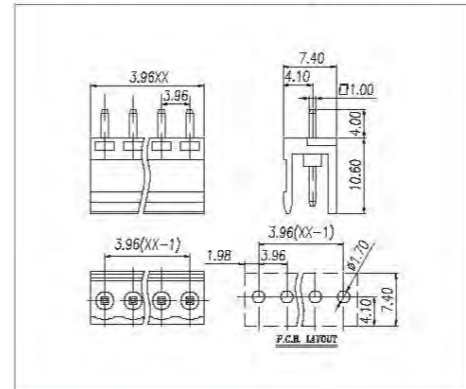
UL/CUL 技术参数 UL/CUL Technical Data			
等级	Use Group	B	C D
额定电压	Rated Voltage [V]	300	- -
额定电流	Rated Current [A]	8	- -
接线范围	单芯线 Solid [AWG]	26~16	
Wire Range	多芯线 Stranded [AWG]	26~16	
耐电压	Dielectric Voltage-Withstand	1.6KV	
IEC 技术参数 IEC Technical Data			
过电压类别	Overvoltage Category	III	III II
污染等级	Contamination Class	3	2 2
额定电压	Rated Voltage [V]	160	160 320
额定电流	Rated Current [A]	10	10 10
额定冲击电压	Impulse withstand voltage [kV]	4	4 4
导线截面积	硬质导线 Solid [mm ²]	0.2~1.0	
Conductor cross section	柔性导线 Flexible [mm ²]	0.2~1.0	
材料 Material			
绝缘材料	Insulation Material	PA66	
阻燃等级	Flame retardant rating	UL94V-0	
导体材料	Conductor Material	Copper alloy	
导体表面镀层	Plating of conductor surface	Ni plated	
一般参数 Other Data			
间距/极数	Pitch/Poles [mm]/[P]	3.96/2~24	
剥线长度	Stripping Length [mm]	5~6	
螺丝/扭矩	Screw/Torque(Max) [N.m]	M2/0.2	
工作温度	Operating temperature [°C]	-40~+105	
焊锡温度	Soldering temperature	/	
引针尺寸	Pin dimensions [mm]	/	
PCB板孔径	PCB Hole Diameter [mm]	/	



Pitch: 3.96mm

HT396V-3.96

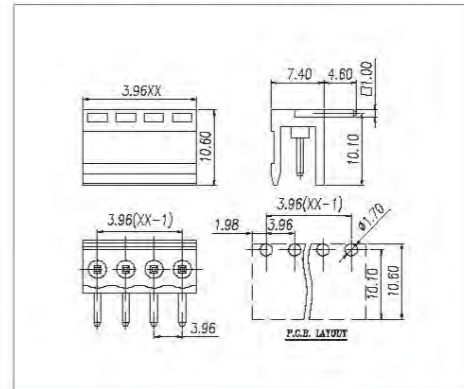
UL/CUL 技术参数 UL/CUL Technical Data			
等级	Use Group	B	C D
额定电压	Rated Voltage [V]	300	- -
额定电流	Rated Current [A]	8	- -
接线范围	单芯线 Solid [AWG]	/	
Wire Range	多芯线 Stranded [AWG]	/	
耐电压	Dielectric Voltage-Withstand	1.6KV	
IEC 技术参数 IEC Technical Data			
过电压类别	Overvoltage Category	III	III II
污染等级	Contamination Class	3	2 2
额定电压	Rated Voltage [V]	160	160 320
额定电流	Rated Current [A]	10	10 10
额定冲击电压	Impulse withstand voltage [kV]	4	4 4
导线截面积	硬质导线 Solid [mm ²]	/	
Conductor cross section	柔性导线 Flexible [mm ²]	/	
材料 Material			
绝缘材料	Insulation Material	PA66	
阻燃等级	Flame retardant rating	UL94V-0	
导体材料	Conductor Material	Copper alloy	
导体表面镀层	Plating of conductor surface	Sn plated	
一般参数 Other Data			
间距/极数	Pitch/Poles [mm]/[P]	3.96/2~24	
剥线长度	Stripping Length [mm]	/	
螺丝/扭矩	Screw/Torque(Max) [N.m]	/	
工作温度	Operating temperature [°C]	-40~+105	
焊锡温度	Soldering temperature	260°C /5S	
引针尺寸	Pin dimensions [mm]	1.0*1.0	
PCB板孔径	PCB Hole Diameter [mm]	Ø1.7	



Pitch: 3.96mm

HT396R-3.96

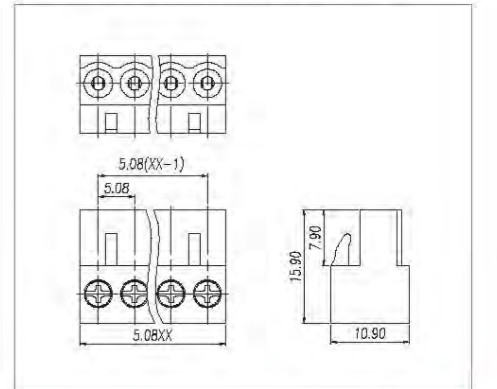
UL/CUL 技术参数 UL/CUL Technical Data			
等级	Use Group	B	C D
额定电压	Rated Voltage [V]	300	- -
额定电流	Rated Current [A]	8	- -
接线范围	单芯线 Solid [AWG]	/	
Wire Range	多芯线 Stranded [AWG]	/	
耐电压	Dielectric Voltage-Withstand	1.6KV	
IEC 技术参数 IEC Technical Data			
过电压类别	Overvoltage Category	III	III II
污染等级	Contamination Class	3	2 2
额定电压	Rated Voltage [V]	160	160 320
额定电流	Rated Current [A]	10	10 10
额定冲击电压	Impulse withstand voltage [kV]	4	4 4
导线截面积	硬质导线 Solid [mm ²]	/	
Conductor cross section	柔性导线 Flexible [mm ²]	/	
材料 Material			
绝缘材料	Insulation Material	PA66	
阻燃等级	Flame retardant rating	UL94V-0	
导体材料	Conductor Material	Copper alloy	
导体表面镀层	Plating of conductor surface	Sn plated	
一般参数 Other Data			
间距/极数	Pitch/Poles [mm]/[P]	3.96/2~24	
剥线长度	Stripping Length [mm]	/	
螺丝/扭矩	Screw/Torque(Max) [N.m]	/	
工作温度	Operating temperature [°C]	-40~+105	
焊锡温度	Soldering temperature	260°C /5S	
引针尺寸	Pin dimensions [mm]	1.0*1.0	
PCB板孔径	PCB Hole Diameter [mm]	Ø1.7	



Pitch: 5.08mm

HT508K-5.08

UL/CUL 技术参数 UL/CUL Technical Data			
等级	Use Group	B	C D
额定电压	Rated Voltage [V]	300	- -
额定电流	Rated Current [A]	10	- -
接线范围	单芯线 Solid [AWG]	22~14	
Wire Range	多芯线 Stranded [AWG]	22~14	
耐电压	Dielectric Voltage-Withstand	1.6KV	
IEC 技术参数 IEC Technical Data			
过电压类别	Overvoltage Category	III	III II
污染等级	Contamination Class	3	2 2
额定电压	Rated Voltage [V]	250	320 400
额定电流	Rated Current [A]	12	12 12
额定冲击电压	Impulse withstand voltage [kV]	4	4 4
导线截面积	硬质导线 Solid [mm ²]	0.2~1.5	
Conductor cross section	柔性导线 Flexible [mm ²]	0.2~1.5	
材料 Material			
绝缘材料	Insulation Material	PA66	
阻燃等级	Flame retardant rating	UL94V-0	
导体材料	Conductor Material	Copper alloy	
导体表面镀层	Plating of conductor surface	Ni plated	
一般参数 Other Data			
间距/极数	Pitch/Poles [mm]/[P]	5.08/2~24	
剥线长度	Stripping Length [mm]	5~6	
螺丝/扭矩	Screw/Torque(Max) [N.m]	M2.5/0.4	
工作温度	Operating temperature [°C]	-40~+105	
焊锡温度	Soldering temperature	/	
引针尺寸	Pin dimensions [mm]	/	
PCB板孔径	PCB Hole Diameter [mm]	/	





Pitch:5.08mm

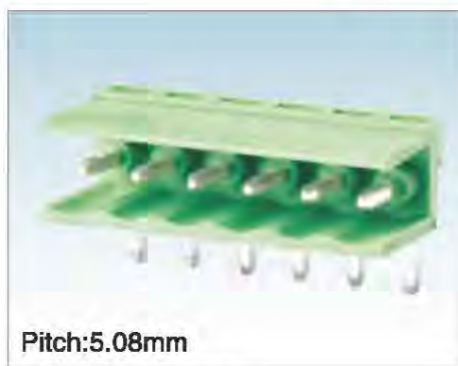
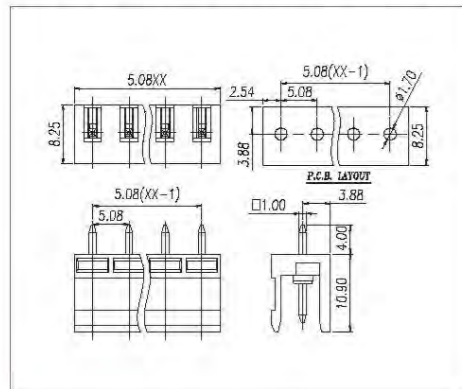
HT508V-5.08

UL/CUL 技术参数 UL/CUL Technical Data		B	C	D
等级 Use Group				
额定电压 Rated Voltage [V]		300	-	-
额定电流 Rated Current [A]		10	-	-
接线范围 Wire Range	单芯线 Solid [AWG]	/		
	多芯线 Stranded [AWG]	/		
耐电压 Dielectric Voltage-Withstand		1.6KV		

IEC 技术参数 IEC Technical Data		III	II	I
过电压类别 Overvoltage Category				
污染等级 Contamination Class		3	2	2
额定电压 Rated Voltage [V]		250	320	400
额定电流 Rated Current [A]		12	12	12
额定冲击电压 Impulse withstand voltage [KV]		4	4	4
		4	4	4
导线截面积 Conductor cross section	硬质导线 Solid [mm ²]	/		
	柔性导线 Flexible [mm ²]	/		

材料 Material		
绝缘材料 Insulation Material		PA66
阻燃等级 Flame retardant rating		UL94V-0
导体材料 Conductor Material		Copper alloy
导体表面镀层 Plating of conductor surface		Sn plated

一般参数 Other Data		
间距/极数 Pitch/Poles [mm]/[P]		5.08/2~24
剥线长度 Stripping Length [mm]		/
螺丝/扭矩 Screw/Torque(Max) [N.m]		/
工作温度 Operating temperature [°C]		-40~+105
焊锡温度 Soldering temperature		260°C /5S
引针尺寸 Pin dimensions [mm]		1.0*1.0
PCB板孔径 PCB Hole Diameter [mm]		∅1.7



Pitch:5.08mm

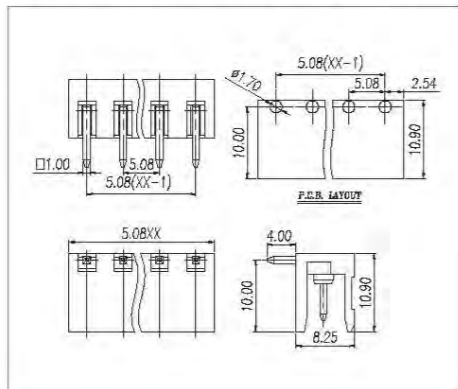
HT508R-5.08

UL/CUL 技术参数 UL/CUL Technical Data		B	C	D
等级 Use Group				
额定电压 Rated Voltage [V]		300	-	-
额定电流 Rated Current [A]		10	-	-
接线范围 Wire Range	单芯线 Solid [AWG]	/		
	多芯线 Stranded [AWG]	/		
耐电压 Dielectric Voltage-Withstand		1.6KV		

IEC 技术参数 IEC Technical Data		III	II	I
过电压类别 Overvoltage Category				
污染等级 Contamination Class		3	2	2
额定电压 Rated Voltage [V]		250	320	400
额定电流 Rated Current [A]		12	12	12
额定冲击电压 Impulse withstand voltage [KV]		4	4	4
		4	4	4
导线截面积 Conductor cross section	硬质导线 Solid [mm ²]	/		
	柔性导线 Flexible [mm ²]	/		

材料 Material		
绝缘材料 Insulation Material		PA66
阻燃等级 Flame retardant rating		UL94V-0
导体材料 Conductor Material		Copper alloy
导体表面镀层 Plating of conductor surface		Sn plated

一般参数 Other Data		
间距/极数 Pitch/Poles [mm]/[P]		5.08/2~24
剥线长度 Stripping Length [mm]		/
螺丝/扭矩 Screw/Torque(Max) [N.m]		/
工作温度 Operating temperature [°C]		-40~+105
焊锡温度 Soldering temperature		260°C /5S
引针尺寸 Pin dimensions [mm]		1.0*1.0
PCB板孔径 PCB Hole Diameter [mm]		∅1.7



Pitch:7.62mm

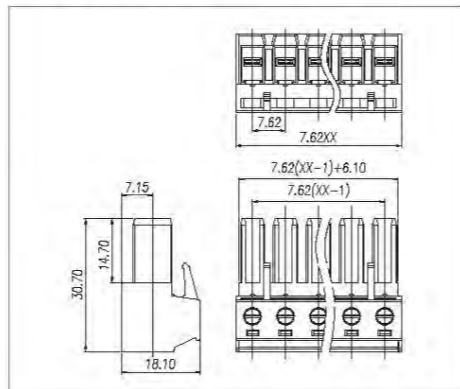
WJ3EDGK-7.62

UL/CUL 技术参数 UL/CUL Technical Data		B	C	D
等级 Use Group				
额定电压 Rated Voltage [V]		300	-	300
额定电流 Rated Current [A]		30	-	10
接线范围 Wire Range	单芯线 Solid [AWG]	28~10		
	多芯线 Stranded [AWG]	28~10		
耐电压 Dielectric Voltage-Withstand		1.6KV		

IEC 技术参数 IEC Technical Data		III	II	I
过电压类别 Overvoltage Category				
污染等级 Contamination Class		3	2	2
额定电压 Rated Voltage [V]		400	630	1000
额定电流 Rated Current [A]		20	20	20
额定冲击电压 Impulse withstand voltage [KV]		6	6	6
		6	6	6
导线截面积 Conductor cross section	硬质导线 Solid [mm ²]	0.5~4		
	柔性导线 Flexible [mm ²]	0.5~4		

材料 Material		
绝缘材料 Insulation Material		PA66
阻燃等级 Flame retardant rating		UL94V-0
导体材料 Conductor Material		Copper alloy
导体表面镀层 Plating of conductor surface		Sn plated

一般参数 Other Data		
间距/极数 Pitch/Poles [mm]/[P]		7.62/2~24
剥线长度 Stripping Length [mm]		8~9
螺丝/扭矩 Screw/Torque(Max) [N.m]		M3/0.5
工作温度 Operating temperature [°C]		-40~+105
焊锡温度 Soldering temperature		/
引针尺寸 Pin dimensions [mm]		/
PCB板孔径 PCB Hole Diameter [mm]		/



Pitch:7.62mm

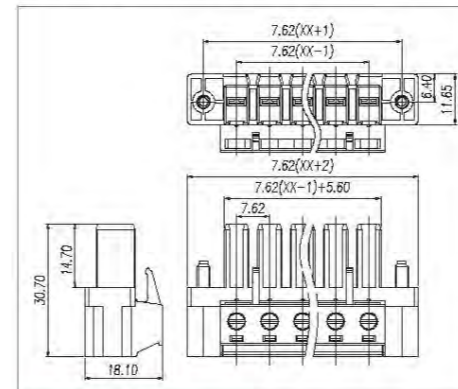
WJ3EDGKM-7.62

UL/CUL 技术参数 UL/CUL Technical Data		B	C	D
等级 Use Group				
额定电压 Rated Voltage [V]		300	-	300
额定电流 Rated Current [A]		30	-	10
接线范围 Wire Range	单芯线 Solid [AWG]	28~10		
	多芯线 Stranded [AWG]	28~10		
耐电压 Dielectric Voltage-Withstand		1.6KV		

IEC 技术参数 IEC Technical Data		III	II	I
过电压类别 Overvoltage Category				
污染等级 Contamination Class		3	2	2
额定电压 Rated Voltage [V]		400	630	1000
额定电流 Rated Current [A]		20	20	20
额定冲击电压 Impulse withstand voltage [KV]		6	6	6
		6	6	6
导线截面积 Conductor cross section	硬质导线 Solid [mm ²]	0.5~4		
	柔性导线 Flexible [mm ²]	0.5~4		

材料 Material		
绝缘材料 Insulation Material		PA66
阻燃等级 Flame retardant rating		UL94V-0
导体材料 Conductor Material		Copper alloy
导体表面镀层 Plating of conductor surface		Sn plated

一般参数 Other Data		
间距/极数 Pitch/Poles [mm]/[P]		7.62/2~24
剥线长度 Stripping Length [mm]		8~9
螺丝/扭矩 Screw/Torque(Max) [N.m]		M3/0.5
工作温度 Operating temperature [°C]		-40~+105
焊锡温度 Soldering temperature		/
引针尺寸 Pin dimensions [mm]		/
PCB板孔径 PCB Hole Diameter [mm]		/



Pitch:7.62mm

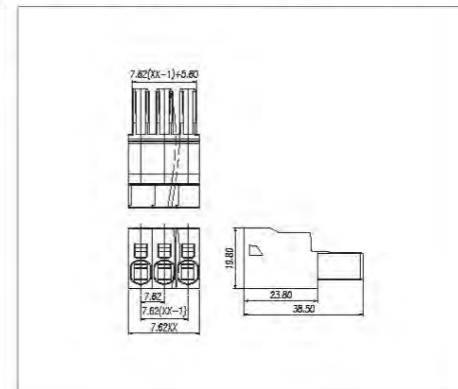
WJ3EDGKV-7.62

UL/CUL 技术参数 UL/CUL Technical Data		B	C	D
等级 Use Group				
额定电压 Rated Voltage [V]		600	600	-
额定电流 Rated Current [A]		35	35	-
接线范围 Wire Range	单芯线 Solid [AWG]	24~8		
	多芯线 Stranded [AWG]	24~8		
耐电压 Dielectric Voltage-Withstand		2.2KV		

IEC 技术参数 IEC Technical Data		III	II	I
过电压类别 Overvoltage Category				
污染等级 Contamination Class		3	2	2
额定电压 Rated Voltage [V]		1000	1000	1000
额定电流 Rated Current [A]		41	41	41
额定冲击电压 Impulse withstand voltage [KV]		8	8	6
		8	8	6
导线截面积 Conductor cross section	硬质导线 Solid [mm ²]	0.2~6.0		
	柔性导线 Flexible [mm ²]	0.2~6.0		

材料 Material		
绝缘材料 Insulation Material		PA66
阻燃等级 Flame retardant rating		UL94V-0
导体材料 Conductor Material		Copper alloy
导体表面镀层 Plating of conductor surface		Sn plated

一般参数 Other Data		
间距/极数 Pitch/Poles [mm]/[P]		7.62/2~12
剥线长度 Stripping Length [mm]		14~15
螺丝/扭矩 Screw/Torque(Max) [N.m]		/
工作温度 Operating temperature [°C]		-40~+105
焊锡温度 Soldering temperature		/
引针尺寸 Pin dimensions [mm]		/
PCB板孔径 PCB Hole Diameter [mm]		/



Pitch:7.62mm

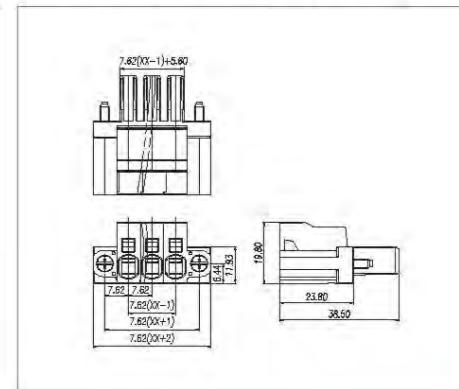
WJ3EDGKVM-7.62

UL/CUL 技术参数 UL/CUL Technical Data		B	C	D
等级 Use Group				
额定电压 Rated Voltage [V]		600	600	-
额定电流 Rated Current [A]		35	35	-
接线范围 Wire Range	单芯线 Solid [AWG]	24~8		
	多芯线 Stranded [AWG]	24~8		
耐电压 Dielectric Voltage-Withstand		2.2KV		

IEC 技术参数 IEC Technical Data		III	II	I
过电压类别 Overvoltage Category				
污染等级 Contamination Class		3	2	2
额定电压 Rated Voltage [V]		1000	1000	1000
额定电流 Rated Current [A]		41	41	41
额定冲击电压 Impulse withstand voltage [KV]		8	8	6
		8	8	6
导线截面积 Conductor cross section	硬质导线 Solid [mm ²]	0.2~6.0		
	柔性导线 Flexible [mm ²]	0.2~6.0		

材料 Material		
绝缘材料 Insulation Material		PA66
阻燃等级 Flame retardant rating		UL94V-0
导体材料 Conductor Material		Copper alloy
导体表面镀层 Plating of conductor surface		Sn plated

一般参数 Other Data		
间距/极数 Pitch/Poles [mm]/[P]		7.62/2~12
剥线长度 Stripping Length [mm]		14~15
螺丝/扭矩 Screw/Torque(Max) [N.m]		/
工作温度 Operating temperature [°C]		-40~+105
焊锡温度 Soldering temperature		/
引针尺寸 Pin dimensions [mm]		/
PCB板孔径 PCB Hole Diameter [mm]		/

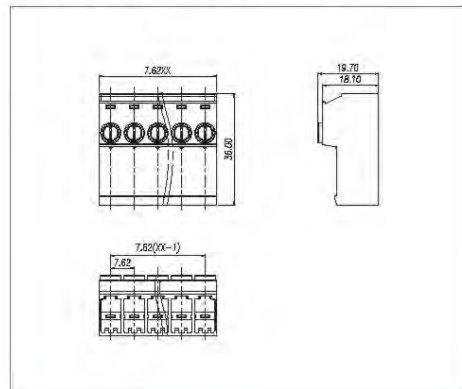




Pitch:7.62mm

WJ3EDGKR-7.62

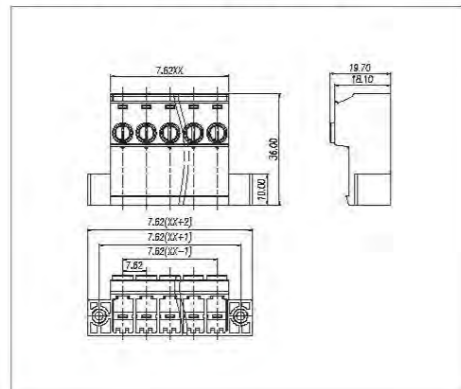
UL/CUL 技术参数		UL/CUL Technical Data	
等级	Use Group	B	C D
额定电压	Rated Voltage [V]	600	600 -
额定电流	Rated Current [A]	41	41 -
接线范围	单芯线 Solid [AWG]	24~8	
	多芯线 Stranded [AWG]	24~8	
耐电压	Dielectric Voltage-Withstand	2.2KV	
IEC 技术参数		IEC Technical Data	
过电压类别	Overvoltage Category	III	II I
污染等级	Contamination Class	3	2 2
额定电压	Rated Voltage [V]	1000	1000/1000
额定电流	Rated Current [A]	41	41 41
额定冲击电压	Impulse withstand voltage [KV]	8	8 8
导线截面积	硬质导线 Solid [mm ²]	0.2~6.0	
	柔性导线 Flexible [mm ²]	0.2~6.0	
材料 Material		PA66	
绝缘材料	Insulation Material	PA66	
阻燃等级	Flame retardant rating	UL94V-0	
导体材料	Conductor Material	Copper alloy	
导体表面镀层	Plating of conductor surface	Sn plated	
一般参数 Other Data		7.62/2~12	
间距/极数	Pitch/Poles [mm]/[P]	7.62/2~12	
剥线长度	Stripping Length [mm]	10	
螺丝/扭矩	Screw/Torque(Max) [N.m]	M3/0.5	
工作温度	Operating temperature [°C]	-40~+105	
焊锡温度	Soldering temperature	/	
引针尺寸	Pin dimensions [mm]	/	
PCB板孔径	PCB Hole Diameter [mm]	/	



Pitch:7.62mm

WJ3EDGKR-7.62

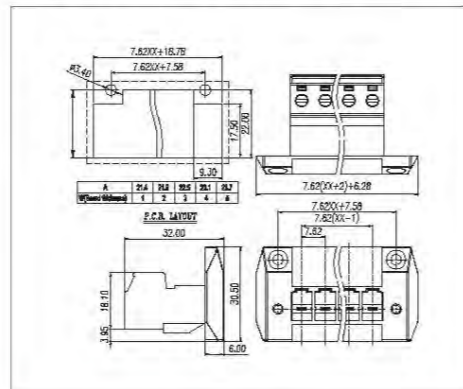
UL/CUL 技术参数		UL/CUL Technical Data	
等级	Use Group	B	C D
额定电压	Rated Voltage [V]	600	600 -
额定电流	Rated Current [A]	41	41 -
接线范围	单芯线 Solid [AWG]	24~8	
	多芯线 Stranded [AWG]	24~8	
耐电压	Dielectric Voltage-Withstand	2.2KV	
IEC 技术参数		IEC Technical Data	
过电压类别	Overvoltage Category	III	II I
污染等级	Contamination Class	3	2 2
额定电压	Rated Voltage [V]	1000	1000/1000
额定电流	Rated Current [A]	41	41 41
额定冲击电压	Impulse withstand voltage [KV]	8	8 8
导线截面积	硬质导线 Solid [mm ²]	0.2~6.0	
	柔性导线 Flexible [mm ²]	0.2~6.0	
材料 Material		PA66	
绝缘材料	Insulation Material	PA66	
阻燃等级	Flame retardant rating	UL94V-0	
导体材料	Conductor Material	Copper alloy	
导体表面镀层	Plating of conductor surface	Sn plated	
一般参数 Other Data		7.62/2~12	
间距/极数	Pitch/Poles [mm]/[P]	7.62/2~12	
剥线长度	Stripping Length [mm]	10	
螺丝/扭矩	Screw/Torque(Max) [N.m]	M3/0.5	
工作温度	Operating temperature [°C]	-40~+105	
焊锡温度	Soldering temperature	/	
引针尺寸	Pin dimensions [mm]	/	
PCB板孔径	PCB Hole Diameter [mm]	/	



Pitch:7.62mm

WJ3EDGKR-7.62

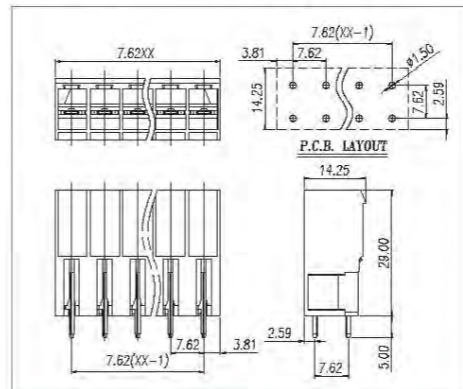
UL/CUL 技术参数		UL/CUL Technical Data	
等级	Use Group	B	C D
额定电压	Rated Voltage [V]	300	300 600
额定电流	Rated Current [A]	35	35 5
接线范围	单芯线 Solid [AWG]	30~10	
	多芯线 Stranded [AWG]	30~10	
耐电压	Dielectric Voltage-Withstand	1.6KV	
IEC 技术参数		IEC Technical Data	
过电压类别	Overvoltage Category	III	II I
污染等级	Contamination Class	3	2 2
额定电压	Rated Voltage [V]	400	630/1000
额定电流	Rated Current [A]	20	20 20
额定冲击电压	Impulse withstand voltage [KV]	6	6 6
导线截面积	硬质导线 Solid [mm ²]	0.2~4.0	
	柔性导线 Flexible [mm ²]	0.2~4.0	
材料 Material		PA66	
绝缘材料	Insulation Material	PA66	
阻燃等级	Flame retardant rating	UL94V-0	
导体材料	Conductor Material	Copper alloy	
导体表面镀层	Plating of conductor surface	Sn plated	
一般参数 Other Data		7.62/2~12	
间距/极数	Pitch/Poles [mm]/[P]	7.62/2~12	
剥线长度	Stripping Length [mm]	7~8	
螺丝/扭矩	Screw/Torque(Max) [N.m]	M3/0.5	
工作温度	Operating temperature [°C]	-40~+105	
焊锡温度	Soldering temperature	/	
引针尺寸	Pin dimensions [mm]	/	
PCB板孔径	PCB Hole Diameter [mm]	/	



Pitch:7.62mm

WJ3EDGVC-7.62

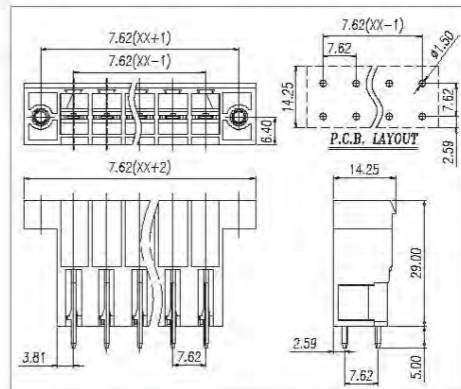
UL/CUL 技术参数		UL/CUL Technical Data	
等级	Use Group	B	C D
额定电压	Rated Voltage [V]	300	300 300
额定电流	Rated Current [A]	30	30 10
接线范围	单芯线 Solid [AWG]	/	
	多芯线 Stranded [AWG]	/	
耐电压	Dielectric Voltage-Withstand	1.6KV	
IEC 技术参数		IEC Technical Data	
过电压类别	Overvoltage Category	III	II I
污染等级	Contamination Class	3	2 2
额定电压	Rated Voltage [V]	400	630/1000
额定电流	Rated Current [A]	20	20 20
额定冲击电压	Impulse withstand voltage [KV]	6	6 6
导线截面积	硬质导线 Solid [mm ²]	/	
	柔性导线 Flexible [mm ²]	/	
材料 Material		PA66	
绝缘材料	Insulation Material	PA66	
阻燃等级	Flame retardant rating	UL94V-0	
导体材料	Conductor Material	Copper alloy	
导体表面镀层	Plating of conductor surface	Sn plated	
一般参数 Other Data		7.62/2~24	
间距/极数	Pitch/Poles [mm]/[P]	7.62/2~24	
剥线长度	Stripping Length [mm]	/	
螺丝/扭矩	Screw/Torque(Max) [N.m]	/	
工作温度	Operating temperature [°C]	-40~+105	
焊锡温度	Soldering temperature	260°C /5S	
引针尺寸	Pin dimensions [mm]	0.8*1.0	
PCB板孔径	PCB Hole Diameter [mm]	Ø1.5	



Pitch:7.62mm

WJ3EDGVM-7.62

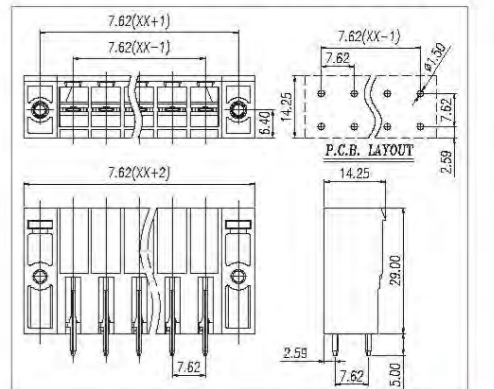
UL/CUL 技术参数		UL/CUL Technical Data	
等级	Use Group	B	C D
额定电压	Rated Voltage [V]	300	300 300
额定电流	Rated Current [A]	30	30 10
接线范围	单芯线 Solid [AWG]	/	
	多芯线 Stranded [AWG]	/	
耐电压	Dielectric Voltage-Withstand	1.6KV	
IEC 技术参数		IEC Technical Data	
过电压类别	Overvoltage Category	III	II I
污染等级	Contamination Class	3	2 2
额定电压	Rated Voltage [V]	400	630/1000
额定电流	Rated Current [A]	20	20 20
额定冲击电压	Impulse withstand voltage [KV]	6	6 6
导线截面积	硬质导线 Solid [mm ²]	/	
	柔性导线 Flexible [mm ²]	/	
材料 Material		PA66	
绝缘材料	Insulation Material	PA66	
阻燃等级	Flame retardant rating	UL94V-0	
导体材料	Conductor Material	Copper alloy	
导体表面镀层	Plating of conductor surface	Sn plated	
一般参数 Other Data		7.62/2~24	
间距/极数	Pitch/Poles [mm]/[P]	7.62/2~24	
剥线长度	Stripping Length [mm]	/	
螺丝/扭矩	Screw/Torque(Max) [N.m]	/	
工作温度	Operating temperature [°C]	-40~+105	
焊锡温度	Soldering temperature	260°C /5S	
引针尺寸	Pin dimensions [mm]	0.8*1.0	
PCB板孔径	PCB Hole Diameter [mm]	Ø1.5	



Pitch:7.62mm

WJ3EDGVZM-7.62

UL/CUL 技术参数		UL/CUL Technical Data	
等级	Use Group	B	C D
额定电压	Rated Voltage [V]	300	300 300
额定电流	Rated Current [A]	30	30 10
接线范围	单芯线 Solid [AWG]	/	
	多芯线 Stranded [AWG]	/	
耐电压	Dielectric Voltage-Withstand	1.6KV	
IEC 技术参数		IEC Technical Data	
过电压类别	Overvoltage Category	III	II I
污染等级	Contamination Class	3	2 2
额定电压	Rated Voltage [V]	400	630/1000
额定电流	Rated Current [A]	20	20 20
额定冲击电压	Impulse withstand voltage [KV]	6	6 6
导线截面积	硬质导线 Solid [mm ²]	/	
	柔性导线 Flexible [mm ²]	/	
材料 Material		PA66	
绝缘材料	Insulation Material	PA66	
阻燃等级	Flame retardant rating	UL94V-0	
导体材料	Conductor Material	Copper alloy	
导体表面镀层	Plating of conductor surface	Sn plated	
一般参数 Other Data		7.62/2~24	
间距/极数	Pitch/Poles [mm]/[P]	7.62/2~24	
剥线长度	Stripping Length [mm]	/	
螺丝/扭矩	Screw/Torque(Max) [N.m]	/	
工作温度	Operating temperature [°C]	-40~+105	
焊锡温度	Soldering temperature	260°C /5S	
引针尺寸	Pin dimensions [mm]	0.8*1.0	
PCB板孔径	PCB Hole Diameter [mm]	Ø1.5	

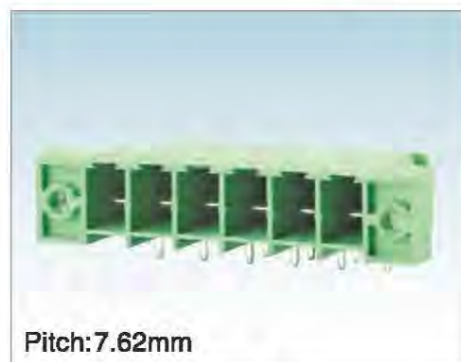
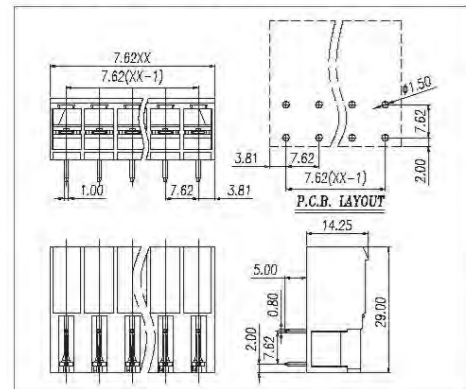




Pitch:7.62mm

WJ3EDGRC-7.62

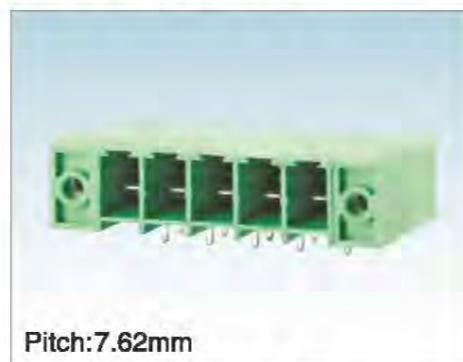
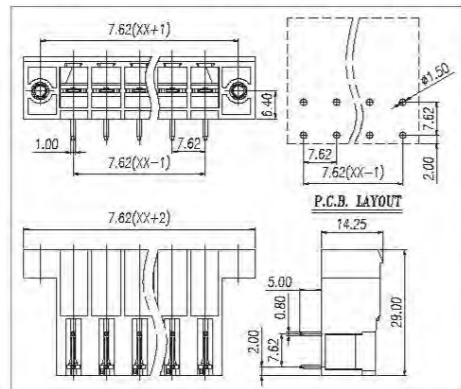
UL/CUL 技术参数				
UL/CUL Technical Data				
等级	Use Group	B	C	D
额定电压	Rated Voltage [V]	300	300	300
额定电流	Rated Current [A]	30	30	10
接线范围	单芯线 Solid [AWG]	/		
Wire Range	多芯线 Stranded [AWG]	/		
耐电压	Dielectric Voltage-Withstand	1.6KV		
IEC 技术参数				
IEC Technical Data				
过电压类别	Overvoltage Category	III	III	II
污染等级	Contamination Class	3	2	2
额定电压	Rated Voltage [V]	400	630	1000
额定电流	Rated Current [A]	20	20	20
额定冲击电压	Impulse withstand voltage [KV]	6	6	6
导线截面积	硬质导线 Solid [mm ²]	/		
Conductor cross section	柔性导线 Flexible [mm ²]	/		
材料 Material				
绝缘材料	Insulation Material	PA66		
阻燃等级	Flame retardant rating	UL94V-0		
导体材料	Conductor Material	Copper alloy		
导体表面镀层	Plating of conductor surface	Sn plated		
一般参数 Other Data				
间距/极数	Pitch/Poles [mm]/[P]	7.62/2~24		
剥线长度	Stripping Length [mm]	/		
螺丝/扭矩	Screw/Torque(Max) [N.m]	/		
工作温度	Operating temperature [°C]	-40~+105		
焊锡温度	Soldering temperature	260°C /5S		
引针尺寸	Pin dimensions [mm]	0.8*1.0		
PCB板孔径	PCB Hole Diameter [mm]	∅1.5		



Pitch:7.62mm

WJ3EDGRM-7.62

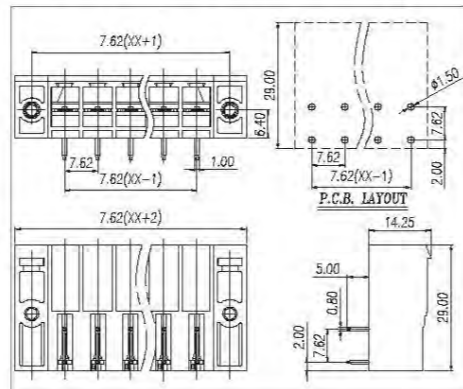
UL/CUL 技术参数				
UL/CUL Technical Data				
等级	Use Group	B	C	D
额定电压	Rated Voltage [V]	300	300	300
额定电流	Rated Current [A]	30	30	10
接线范围	单芯线 Solid [AWG]	/		
Wire Range	多芯线 Stranded [AWG]	/		
耐电压	Dielectric Voltage-Withstand	1.6KV		
IEC 技术参数				
IEC Technical Data				
过电压类别	Overvoltage Category	III	III	II
污染等级	Contamination Class	3	2	2
额定电压	Rated Voltage [V]	400	630	1000
额定电流	Rated Current [A]	20	20	20
额定冲击电压	Impulse withstand voltage [KV]	6	6	6
导线截面积	硬质导线 Solid [mm ²]	/		
Conductor cross section	柔性导线 Flexible [mm ²]	/		
材料 Material				
绝缘材料	Insulation Material	PA66		
阻燃等级	Flame retardant rating	UL94V-0		
导体材料	Conductor Material	Copper alloy		
导体表面镀层	Plating of conductor surface	Sn plated		
一般参数 Other Data				
间距/极数	Pitch/Poles [mm]/[P]	7.62/2~24		
剥线长度	Stripping Length [mm]	/		
螺丝/扭矩	Screw/Torque(Max) [N.m]	/		
工作温度	Operating temperature [°C]	-40~+105		
焊锡温度	Soldering temperature	260°C /5S		
引针尺寸	Pin dimensions [mm]	0.8*1.0		
PCB板孔径	PCB Hole Diameter [mm]	∅1.5		



Pitch:7.62mm

WJ3EDGRZM-7.62

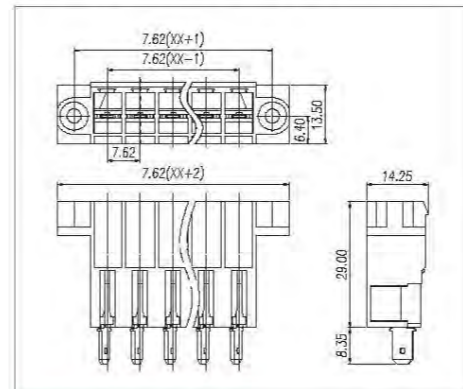
UL/CUL 技术参数				
UL/CUL Technical Data				
等级	Use Group	B	C	D
额定电压	Rated Voltage [V]	300	300	300
额定电流	Rated Current [A]	30	30	10
接线范围	单芯线 Solid [AWG]	/		
Wire Range	多芯线 Stranded [AWG]	/		
耐电压	Dielectric Voltage-Withstand	1.6KV		
IEC 技术参数				
IEC Technical Data				
过电压类别	Overvoltage Category	III	III	II
污染等级	Contamination Class	3	2	2
额定电压	Rated Voltage [V]	400	630	1000
额定电流	Rated Current [A]	20	20	20
额定冲击电压	Impulse withstand voltage [KV]	6	6	6
导线截面积	硬质导线 Solid [mm ²]	/		
Conductor cross section	柔性导线 Flexible [mm ²]	/		
材料 Material				
绝缘材料	Insulation Material	PA66		
阻燃等级	Flame retardant rating	UL94V-0		
导体材料	Conductor Material	Copper alloy		
导体表面镀层	Plating of conductor surface	Sn plated		
一般参数 Other Data				
间距/极数	Pitch/Poles [mm]/[P]	7.62/2~24		
剥线长度	Stripping Length [mm]	/		
螺丝/扭矩	Screw/Torque(Max) [N.m]	/		
工作温度	Operating temperature [°C]	-40~+105		
焊锡温度	Soldering temperature	260°C /5S		
引针尺寸	Pin dimensions [mm]	0.8*1.0		
PCB板孔径	PCB Hole Diameter [mm]	∅1.5		



Pitch:7.62mm

WJ3CDGM-7.62

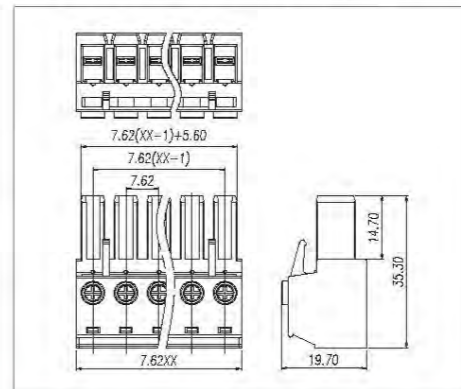
UL/CUL 技术参数				
UL/CUL Technical Data				
等级	Use Group	B	C	D
额定电压	Rated Voltage [V]	300	300	300
额定电流	Rated Current [A]	30	30	10
接线范围	单芯线 Solid [AWG]	/		
Wire Range	多芯线 Stranded [AWG]	/		
耐电压	Dielectric Voltage-Withstand	1.6KV		
IEC 技术参数				
IEC Technical Data				
过电压类别	Overvoltage Category	III	III	II
污染等级	Contamination Class	3	2	2
额定电压	Rated Voltage [V]	400	400	800
额定电流	Rated Current [A]	15	15	15
额定冲击电压	Impulse withstand voltage [KV]	6	6	6
导线截面积	硬质导线 Solid [mm ²]	/		
Conductor cross section	柔性导线 Flexible [mm ²]	/		
材料 Material				
绝缘材料	Insulation Material	PA66		
阻燃等级	Flame retardant rating	UL94V-0		
导体材料	Conductor Material	Copper alloy		
导体表面镀层	Plating of conductor surface	Sn plated		
一般参数 Other Data				
间距/极数	Pitch/Poles [mm]/[P]	7.62/2~24		
剥线长度	Stripping Length [mm]	/		
螺丝/扭矩	Screw/Torque(Max) [N.m]	/		
工作温度	Operating temperature [°C]	-40~+105		
焊锡温度	Soldering temperature	/		
引针尺寸	Pin dimensions [mm]	0.8*4.8		
PCB板孔径	PCB Hole Diameter [mm]	/		



Pitch:7.62mm

WJ3EDGKH-7.62

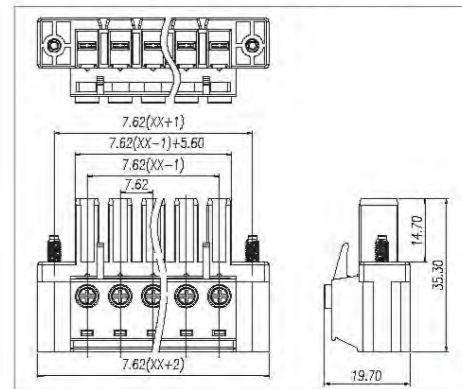
UL/CUL 技术参数				
UL/CUL Technical Data				
等级	Use Group	B	C	D
额定电压	Rated Voltage [V]	300	-	300
额定电流	Rated Current [A]	41	-	10
接线范围	单芯线 Solid [AWG]	24~8		
Wire Range	多芯线 Stranded [AWG]	24~8		
耐电压	Dielectric Voltage-Withstand	1.6KV		
IEC 技术参数				
IEC Technical Data				
过电压类别	Overvoltage Category	III	III	II
污染等级	Contamination Class	3	2	2
额定电压	Rated Voltage [V]	1000	1000	1000
额定电流	Rated Current [A]	41	41	41
额定冲击电压	Impulse withstand voltage [KV]	8	8	6
导线截面积	硬质导线 Solid [mm ²]	0.2~6		
Conductor cross section	柔性导线 Flexible [mm ²]	0.2~6		
材料 Material				
绝缘材料	Insulation Material	PA66		
阻燃等级	Flame retardant rating	UL94V-0		
导体材料	Conductor Material	Copper alloy		
导体表面镀层	Plating of conductor surface	Sn plated		
一般参数 Other Data				
间距/极数	Pitch/Poles [mm]/[P]	7.62/2-12		
剥线长度	Stripping Length [mm]	10		
螺丝/扭矩	Screw/Torque(Max) [N.m]	M3/0.5		
工作温度	Operating temperature [°C]	-40~+105		
焊锡温度	Soldering temperature	/		
引针尺寸	Pin dimensions [mm]	/		
PCB板孔径	PCB Hole Diameter [mm]	/		



Pitch:7.62mm

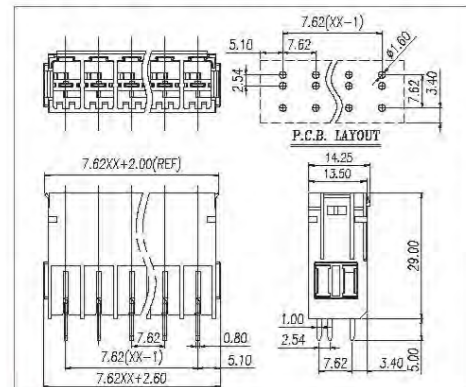
WJ3EDGKHM-7.62

UL/CUL 技术参数				
UL/CUL Technical Data				
等级	Use Group	B	C	D
额定电压	Rated Voltage [V]	300	-	300
额定电流	Rated Current [A]	41	-	10
接线范围	单芯线 Solid [AWG]	24~8		
Wire Range	多芯线 Stranded [AWG]	24~8		
耐电压	Dielectric Voltage-Withstand	1.6KV		
IEC 技术参数				
IEC Technical Data				
过电压类别	Overvoltage Category	III	III	II
污染等级	Contamination Class	3	2	2
额定电压	Rated Voltage [V]	1000	1000	1000
额定电流	Rated Current [A]	41	41	41
额定冲击电压	Impulse withstand voltage [KV]	8	8	6
导线截面积	硬质导线 Solid [mm ²]	0.2~6		
Conductor cross section	柔性导线 Flexible [mm ²]	0.2~6		
材料 Material				
绝缘材料	Insulation Material	PA66		
阻燃等级	Flame retardant rating	UL94V-0		
导体材料	Conductor Material	Copper alloy		
导体表面镀层	Plating of conductor surface	Sn plated		
一般参数 Other Data				
间距/极数	Pitch/Poles [mm]/[P]	7.62/2-12		
剥线长度	Stripping Length [mm]	10		
螺丝/扭矩	Screw/Torque(Max) [N.m]	M3/0.5		
工作温度	Operating temperature [°C]	-40~+105		
焊锡温度	Soldering temperature	/		
引针尺寸	Pin dimensions [mm]	/		
PCB板孔径	PCB Hole Diameter [mm]	/		

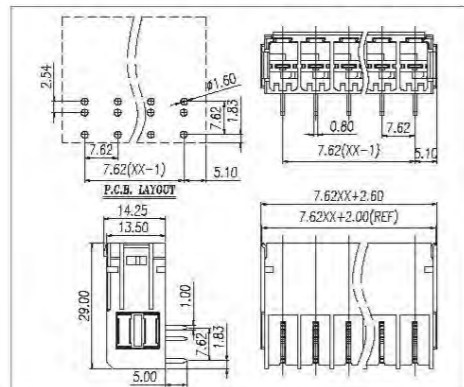



WJ3EDGVH-7.62

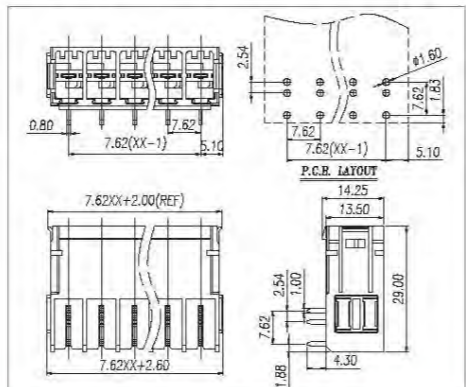
UL/CUL 技术参数 UL/CUL Technical Data				
等级 Use Group	B C D			
额定电压 Rated Voltage [V]	300 300 300			
额定电流 Rated Current [A]	41 41 10			
接线范围 Wire Range	单芯线 Solid [AWG]	/		
	多芯线 Stranded [AWG]	/		
耐电压 Dielectric Voltage-Withstand	1.6KV			
IEC 技术参数 IEC Technical Data				
过电压类别 Overvoltage Category	III IIII II			
污染等级 Contamination Class	3 2 2			
额定电压 Rated Voltage [V]	630 630 1000			
额定电流 Rated Current [A]	41 41 41			
额定冲击电压 Impulse withstand voltage [KV]	6 6 6			
导线截面积 Conductor cross section	硬质导线 Solid [mm ²]	/		
	柔性导线 Flexible [mm ²]	/		
材料 Material				
绝缘材料 Insulation Material	PA66			
阻燃等级 Flame retardant rating	UL94V-0			
导体材料 Conductor Material	Copper alloy			
导体表面镀层 Plating of conductor surface	Sn plated			
一般参数 Other Data				
间距/极数 Pitch/Poles [mm]/[P]	7.62/2-12			
剥线长度 Stripping Length [mm]	/			
螺丝/扭矩 Screw/Torque(Max) [N.m]	/			
工作温度 Operating temperature [°C]	-40~+105			
焊锡温度 Soldering temperature	260°C /5S			
引针尺寸 Pin dimensions [mm]	1.0*0.8			
PCB板孔径 PCB Hole Diameter [mm]	Ø1.6			


WJ3EDGRH-7.62

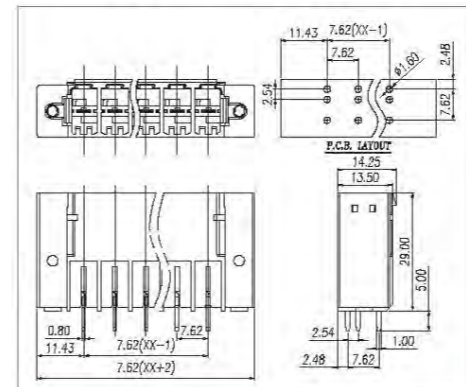
UL/CUL 技术参数 UL/CUL Technical Data				
等级 Use Group	B C D			
额定电压 Rated Voltage [V]	300 300 300			
额定电流 Rated Current [A]	41 41 10			
接线范围 Wire Range	单芯线 Solid [AWG]	/		
	多芯线 Stranded [AWG]	/		
耐电压 Dielectric Voltage-Withstand	1.6KV			
IEC 技术参数 IEC Technical Data				
过电压类别 Overvoltage Category	III IIII II			
污染等级 Contamination Class	3 2 2			
额定电压 Rated Voltage [V]	630 630 1000			
额定电流 Rated Current [A]	41 41 41			
额定冲击电压 Impulse withstand voltage [KV]	6 6 6			
导线截面积 Conductor cross section	硬质导线 Solid [mm ²]	/		
	柔性导线 Flexible [mm ²]	/		
材料 Material				
绝缘材料 Insulation Material	PA66			
阻燃等级 Flame retardant rating	UL94V-0			
导体材料 Conductor Material	Copper alloy			
导体表面镀层 Plating of conductor surface	Sn plated			
一般参数 Other Data				
间距/极数 Pitch/Poles [mm]/[P]	7.62/2-12			
剥线长度 Stripping Length [mm]	/			
螺丝/扭矩 Screw/Torque(Max) [N.m]	/			
工作温度 Operating temperature [°C]	-40~+105			
焊锡温度 Soldering temperature	260°C /5S			
引针尺寸 Pin dimensions [mm]	1.0*0.8			
PCB板孔径 PCB Hole Diameter [mm]	Ø1.6			


WJ3EDGRRH-7.62

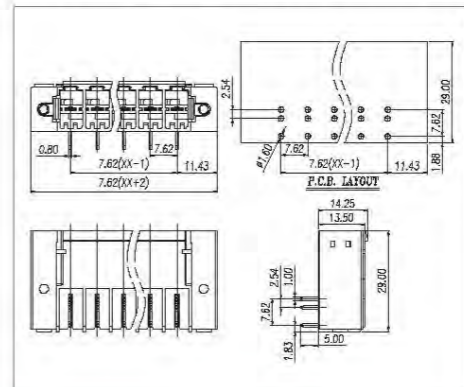
UL/CUL 技术参数 UL/CUL Technical Data				
等级 Use Group	B C D			
额定电压 Rated Voltage [V]	300 300 300			
额定电流 Rated Current [A]	41 41 10			
接线范围 Wire Range	单芯线 Solid [AWG]	/		
	多芯线 Stranded [AWG]	/		
耐电压 Dielectric Voltage-Withstand	1.6KV			
IEC 技术参数 IEC Technical Data				
过电压类别 Overvoltage Category	III IIII II			
污染等级 Contamination Class	3 2 2			
额定电压 Rated Voltage [V]	630 630 1000			
额定电流 Rated Current [A]	41 41 41			
额定冲击电压 Impulse withstand voltage [KV]	6 6 6			
导线截面积 Conductor cross section	硬质导线 Solid [mm ²]	/		
	柔性导线 Flexible [mm ²]	/		
材料 Material				
绝缘材料 Insulation Material	PA66			
阻燃等级 Flame retardant rating	UL94V-0			
导体材料 Conductor Material	Copper alloy			
导体表面镀层 Plating of conductor surface	Sn plated			
一般参数 Other Data				
间距/极数 Pitch/Poles [mm]/[P]	7.62/2-12			
剥线长度 Stripping Length [mm]	/			
螺丝/扭矩 Screw/Torque(Max) [N.m]	/			
工作温度 Operating temperature [°C]	-40~+105			
焊锡温度 Soldering temperature	260°C /5S			
引针尺寸 Pin dimensions [mm]	1.0*0.8			
PCB板孔径 PCB Hole Diameter [mm]	Ø1.6			


WJ3EDGVHM-7.62

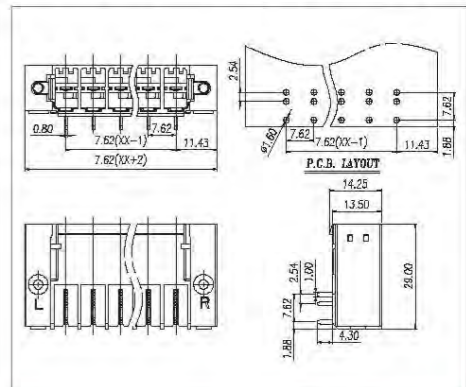
UL/CUL 技术参数 UL/CUL Technical Data				
等级 Use Group	B C D			
额定电压 Rated Voltage [V]	300 300 300			
额定电流 Rated Current [A]	41 41 10			
接线范围 Wire Range	单芯线 Solid [AWG]	/		
	多芯线 Stranded [AWG]	/		
耐电压 Dielectric Voltage-Withstand	1.6KV			
IEC 技术参数 IEC Technical Data				
过电压类别 Surge voltage category	III IIII II			
污染等级 Contamination Class	3 2 2			
额定电压 Rated Voltage [V]	630 630 1000			
额定电流 Rated Current [A]	41 41 41			
额定冲击电压 Impulse withstand voltage [KV]	6 6 6			
导线截面积 Conductor cross section	硬质导线 Solid [mm ²]	/		
	柔性导线 Flexible [mm ²]	/		
材料 Material				
绝缘材料 Insulation Material	PA66			
阻燃等级 Inflammability Class	UL94V-0			
导体材料 Conductor Material	Copper alloy			
导体表面镀层 Conductor Plating	Sn plated			
一般参数 Other Data				
间距/极数 Pitch/Poles [mm]/[P]	7.62/2-12			
剥线长度 Stripping Length [mm]	/			
螺丝/扭矩 Screw/Torque(Max) [N.m]	/			
工作温度 Operating temperature [°C]	-40~+105			
焊锡温度 Soldering temperature	260°C/5S			
引针尺寸 Pin dimensions [mm]	0.8*1.0			
PCB板孔径 PCB Hole Diameter [mm]	Ø1.6			


WJ3EDGRHM-7.62

UL/CUL 技术参数 UL/CUL Technical Data				
等级 Use Group	B C D			
额定电压 Rated Voltage [V]	300 300 300			
额定电流 Rated Current [A]	41 41 10			
接线范围 Wire Range	单芯线 Solid [AWG]	/		
	多芯线 Stranded [AWG]	/		
耐电压 Dielectric Voltage-Withstand	1.6KV			
IEC 技术参数 IEC Technical Data				
过电压类别 Surge voltage category	III IIII II			
污染等级 Contamination Class	3 2 2			
额定电压 Rated Voltage [V]	630 630 1000			
额定电流 Rated Current [A]	41 41 41			
额定冲击电压 Impulse withstand voltage [KV]	6 6 6			
导线截面积 Conductor cross section	硬质导线 Solid [mm ²]	/		
	柔性导线 Flexible [mm ²]	/		
材料 Material				
绝缘材料 Insulation Material	PA66			
阻燃等级 Inflammability Class	UL94V-0			
导体材料 Conductor Material	Copper alloy			
导体表面镀层 Conductor Plating	Sn plated			
一般参数 Other Data				
间距/极数 Pitch/Poles [mm]/[P]	7.62/2-12			
剥线长度 Stripping Length [mm]	/			
螺丝/扭矩 Screw/Torque(Max) [N.m]	/			
工作温度 Operating temperature [°C]	-40~+105			
焊锡温度 Soldering temperature	260°C/5S			
引针尺寸 Pin dimensions [mm]	0.8*1.0			
PCB板孔径 PCB Hole Diameter [mm]	Ø1.6			


WJ3EDGRRHM-7.62

UL/CUL 技术参数 UL/CUL Technical Data				
等级 Use Group	B C D			
额定电压 Rated Voltage [V]	300 300 300			
额定电流 Rated Current [A]	41 41 10			
接线范围 Wire Range	单芯线 Solid [AWG]	/		
	多芯线 Stranded [AWG]	/		
耐电压 Dielectric Voltage-Withstand	1.6KV			
IEC 技术参数 IEC Technical Data				
过电压类别 Surge voltage category	III IIII II			
污染等级 Contamination Class	3 2 2			
额定电压 Rated Voltage [V]	630 630 1000			
额定电流 Rated Current [A]	41 41 41			
额定冲击电压 Impulse withstand voltage [KV]	6 6 6			
导线截面积 Conductor cross section	硬质导线 Solid [mm ²]	/		
	柔性导线 Flexible [mm ²]	/		
材料 Material				
绝缘材料 Insulation Material	PA66			
阻燃等级 Inflammability Class	UL94V-0			
导体材料 Conductor Material	Copper alloy			
导体表面镀层 Conductor Plating	Sn plated			
一般参数 Other Data				
间距/极数 Pitch/Poles [mm]/[P]	7.62/2-12			
剥线长度 Stripping Length [mm]	/			
螺丝/扭矩 Screw/Torque(Max) [N.m]	/			
工作温度 Operating temperature [°C]	-40~+105			
焊锡温度 Soldering temperature	260°C/5S			
引针尺寸 Pin dimensions [mm]	0.8*1.0			
PCB板孔径 PCB Hole Diameter [mm]	Ø1.6			

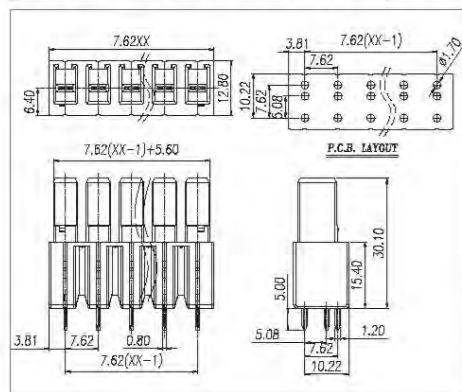




Pitch:7.62mm

WJ3EDGB-7.62

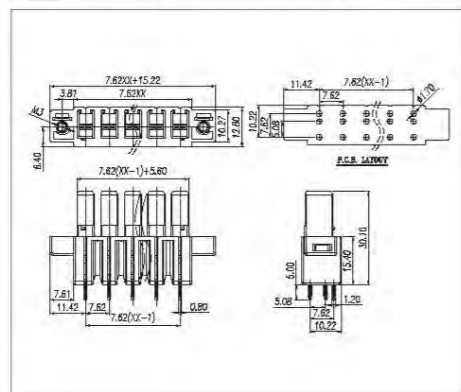
UL/CUL 技术参数 UL/CUL Technical Data		B	C	D
等级 Use Group				
额定电压 Rated Voltage [V]		300	300	600
额定电流 Rated Current [A]		41	41	5
接线范围 Wire Range	单芯线 Solid [AWG]	/		
	多芯线 Stranded [AWG]	/		
耐电压 Dielectric Voltage-Withstand	1.6KV			
IEC 技术参数 IEC Technical Data				
过电压类别 Surge voltage category		III	III	II
污染等级 Contamination Class		3	2	2
额定电压 Rated Voltage [V]		630	630	1000
额定电流 Rated Current [A]		41	41	41
额定冲击电压 Impulse withstand voltage [KV]		6	6	6
导线截面积 Conductor cross section	硬质导线 Solid [mm ²]	/		
	柔性导线 Flexible [mm ²]	/		
材料 Material				
绝缘材料 Insulation Material	PA66			
阻燃等级 Inflammability Class	UL94V-0			
导体材料 Conductor Material	Copper alloy			
导体表面镀层 Conductor Plating	Sn plated			
一般参数 Other Data				
间距/极数 Pitch/Poles [mm]/[P]	7.62/2~12			
剥线长度 Stripping Length [mm]	/			
螺丝/扭矩 Screw/Torque(Max) [N.m]	/			
工作温度 Operating temperature [°C]	-40~+105			
焊锡温度 Soldering temperature	260°C/5S			
引针尺寸 Pin dimensions [mm]	0.8*1.2			
PCB板孔径 PCB Hole Diameter [mm]	Ø1.7			



Pitch:7.62mm

WJ3EDGBM-7.62

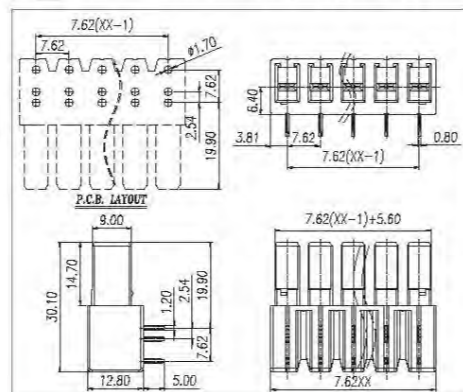
UL/CUL 技术参数 UL/CUL Technical Data		B	C	D
等级 Use Group				
额定电压 Rated Voltage [V]		300	300	600
额定电流 Rated Current [A]		41	41	5
接线范围 Wire Range	单芯线 Solid [AWG]	/		
	多芯线 Stranded [AWG]	/		
耐电压 Dielectric Voltage-Withstand	1.6KV			
IEC 技术参数 IEC Technical Data				
过电压类别 Surge voltage category		III	III	II
污染等级 Contamination Class		3	2	2
额定电压 Rated Voltage [V]		630	630	1000
额定电流 Rated Current [A]		41	41	41
额定冲击电压 Impulse withstand voltage [KV]		6	6	6
导线截面积 Conductor cross section	硬质导线 Solid [mm ²]	/		
	柔性导线 Flexible [mm ²]	/		
材料 Material				
绝缘材料 Insulation Material	PA66			
阻燃等级 Inflammability Class	UL94V-0			
导体材料 Conductor Material	Copper alloy			
导体表面镀层 Conductor Plating	Sn plated			
一般参数 Other Data				
间距/极数 Pitch/Poles [mm]/[P]	7.62/2~12			
剥线长度 Stripping Length [mm]	/			
螺丝/扭矩 Screw/Torque(Max) [N.m]	/			
工作温度 Operating temperature [°C]	-40~+105			
焊锡温度 Soldering temperature	260°C/5S			
引针尺寸 Pin dimensions [mm]	0.8*1.2			
PCB板孔径 PCB Hole Diameter [mm]	Ø1.7			



Pitch:7.62mm

WJ3EDGA-7.62

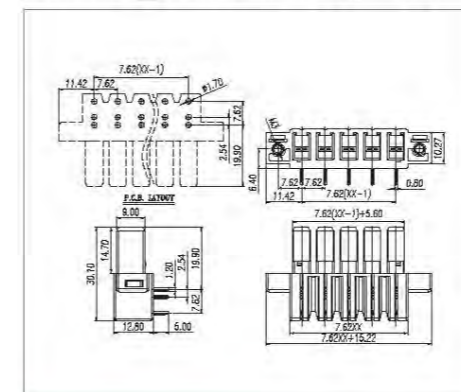
UL/CUL 技术参数 UL/CUL Technical Data		B	C	D
等级 Use Group				
额定电压 Rated Voltage [V]		300	300	600
额定电流 Rated Current [A]		41	41	5
接线范围 Wire Range	单芯线 Solid [AWG]	/		
	多芯线 Stranded [AWG]	/		
耐电压 Dielectric Voltage-Withstand	1.6KV			
IEC 技术参数 IEC Technical Data				
过电压类别 Surge voltage category		III	III	II
污染等级 Contamination Class		3	2	2
额定电压 Rated Voltage [V]		630	630	1000
额定电流 Rated Current [A]		41	41	41
额定冲击电压 Impulse withstand voltage [KV]		6	6	6
导线截面积 Conductor cross section	硬质导线 Solid [mm ²]	/		
	柔性导线 Flexible [mm ²]	/		
材料 Material				
绝缘材料 Insulation Material	PA66			
阻燃等级 Inflammability Class	UL94V-0			
导体材料 Conductor Material	Copper alloy			
导体表面镀层 Conductor Plating	Sn plated			
一般参数 Other Data				
间距/极数 Pitch/Poles [mm]/[P]	7.62/2~12			
剥线长度 Stripping Length [mm]	/			
螺丝/扭矩 Screw/Torque(Max) [N.m]	/			
工作温度 Operating temperature [°C]	-40~+105			
焊锡温度 Soldering temperature	260°C/5S			
引针尺寸 Pin dimensions [mm]	0.8*1.2			
PCB板孔径 PCB Hole Diameter [mm]	Ø1.7			



Pitch:7.62mm

WJ3EDGAM-7.62

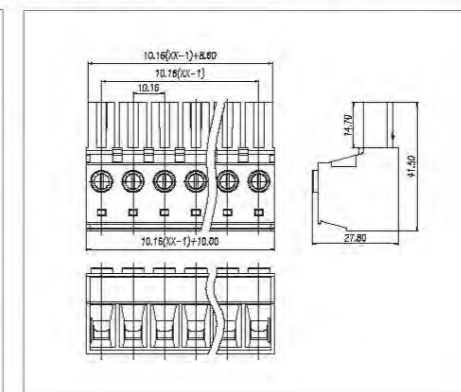
UL/CUL 技术参数 UL/CUL Technical Data		B	C	D
等级 Use Group				
额定电压 Rated Voltage [V]		300	300	600
额定电流 Rated Current [A]		41	41	5
接线范围 Wire Range	单芯线 Solid [AWG]	/		
	多芯线 Stranded [AWG]	/		
耐电压 Dielectric Voltage-Withstand	1.6KV			
IEC 技术参数 IEC Technical Data				
过电压类别 Surge voltage category		III	III	II
污染等级 Contamination Class		3	2	2
额定电压 Rated Voltage [V]		630	630	1000
额定电流 Rated Current [A]		41	41	41
额定冲击电压 Impulse withstand voltage [KV]		6	6	6
导线截面积 Conductor cross section	硬质导线 Solid [mm ²]	/		
	柔性导线 Flexible [mm ²]	/		
材料 Material				
绝缘材料 Insulation Material	PA66			
阻燃等级 Inflammability Class	UL94V-0			
导体材料 Conductor Material	Copper alloy			
导体表面镀层 Conductor Plating	Sn plated			
一般参数 Other Data				
间距/极数 Pitch/Poles [mm]/[P]	7.62/2~12			
剥线长度 Stripping Length [mm]	/			
螺丝/扭矩 Screw/Torque(Max) [N.m]	/			
工作温度 Operating temperature [°C]	-40~+105			
焊锡温度 Soldering temperature	260°C/5S			
引针尺寸 Pin dimensions [mm]	0.8*1.2			
PCB板孔径 PCB Hole Diameter [mm]	Ø1.7			



Pitch:10.16mm

WJ3EDGK-10.16

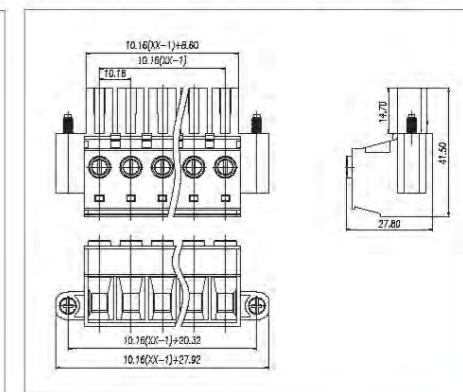
UL/CUL 技术参数 UL/CUL Technical Data		B	C	D
等级 Use Group				
额定电压 Rated Voltage [V]		600	600	600
额定电流 Rated Current [A]		55	55	5
接线范围 Wire Range	单芯线 Solid [AWG]	20~6		
	多芯线 Stranded [AWG]	20~6		
耐电压 Dielectric Voltage-Withstand	2.2KV			
IEC 技术参数 IEC Technical Data				
过电压类别 Overvoltage Category		III	III	II
污染等级 Contamination Class		3	2	2
额定电压 Rated Voltage [V]		1000	1000	1000
额定电流 Rated Current [A]		76	76	76
额定冲击电压 Impulse withstand voltage [KV]		8	8	6
导线截面积 Conductor cross section	硬质导线 Solid [mm ²]	0.5~16		
	柔性导线 Flexible [mm ²]	0.5~16		
材料 Material				
绝缘材料 Insulation Material	PA66			
阻燃等级 Flame retardant rating	UL94V-0			
导体材料 Conductor Material	Copper alloy			
导体表面镀层 Plating of conductor surface	Sn plated			
一般参数 Other Data				
间距/极数 Pitch/Poles [mm]/[P]	10.16/2~18			
剥线长度 Stripping Length [mm]	13~14			
螺丝/扭矩 Screw/Torque(Max) [N.m]	M4/1.2			
工作温度 Operating temperature [°C]	-40~+105			
焊锡温度 Soldering temperature	/			
引针尺寸 Pin dimensions [mm]	/			
PCB板孔径 PCB Hole Diameter [mm]	/			



Pitch:10.16mm

WJ3EDGKM-10.16

UL/CUL 技术参数 UL/CUL Technical Data		B	C	D
等级 Use Group				
额定电压 Rated Voltage [V]		600	600	600
额定电流 Rated Current [A]		55	55	5
接线范围 Wire Range	单芯线 Solid [AWG]	20~6		
	多芯线 Stranded [AWG]	20~6		
耐电压 Dielectric Voltage-Withstand	2.2KV			
IEC 技术参数 IEC Technical Data				
过电压类别 Overvoltage Category		III	III	II
污染等级 Contamination Class		3	2	2
额定电压 Rated Voltage [V]		1000	1000	1000
额定电流 Rated Current [A]		76	76	76
额定冲击电压 Impulse withstand voltage [KV]		8	8	6
导线截面积 Conductor cross section	硬质导线 Solid [mm ²]	0.5~16		
	柔性导线 Flexible [mm ²]	0.5~16		
材料 Material				
绝缘材料 Insulation Material	PA66			
阻燃等级 Flame retardant rating	UL94V-0			
导体材料 Conductor Material	Copper alloy			
导体表面镀层 Plating of conductor surface	Sn plated			
一般参数 Other Data				
间距/极数 Pitch/Poles [mm]/[P]	10.16/2~16			
剥线长度 Stripping Length [mm]	13~14			
螺丝/扭矩 Screw/Torque(Max) [N.m]	M4/1.2			
工作温度 Operating temperature [°C]	-40~+105			
焊锡温度 Soldering temperature	/			
引针尺寸 Pin dimensions [mm]	/			
PCB板孔径 PCB Hole Diameter [mm]	/			

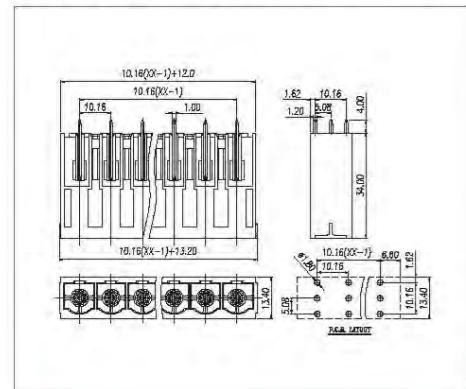




Pitch:10.16mm

WJ3EDGVC-10.16

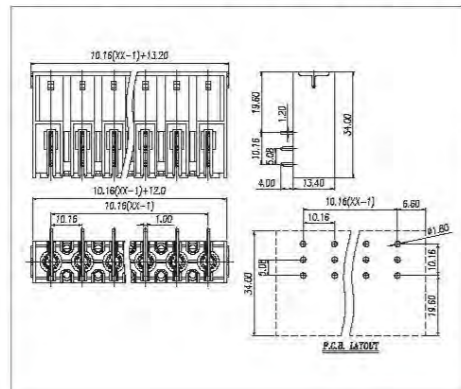
UL/CUL 技术参数 UL/CUL Technical Data		.UL.		
等级 Use Group	B C D			
额定电压 Rated Voltage [V]	300 300 300			
额定电流 Rated Current [A]	55 55 10			
接线范围 Wire Range	单芯线 Solid [AWG]	/		
	多芯线 Stranded [AWG]	/		
耐电压 Dielectric Voltage-Withstand	1.6KV			
IEC 技术参数 IEC Technical Data				
过电压类别 Overvoltage Category	III III II			
污染等级 Contamination Class	3 2 2			
额定电压 Rated Voltage [V]	1000 1000 1000			
额定电流 Rated Current [A]	76 76 76			
额定冲击电压 Impulse withstand voltage [KV]	8 8 6			
导线截面积 Conductor cross section	硬质导线 Solid [mm ²]	/		
	柔性导线 Flexible [mm ²]	/		
材料 Material				
绝缘材料 Insulation Material	PA66			
阻燃等级 Flame retardant rating	UL94V-0			
导体材料 Conductor Material	Copper alloy			
导体表面镀层 Plating of conductor surface	Sn plated			
一般参数 Other Data				
间距/极数 Pitch/Poles [mm]/[P]	10.16/2~18			
剥线长度 Stripping Length [mm]	/			
螺丝/扭矩 Screw/Torque(Max) [N.m]	/			
工作温度 Operating temperature [°C]	-40~+105			
焊锡温度 Soldering temperature	260°C /5S			
引针尺寸 Pin dimensions [mm]	1.0*1.2			
PCB板孔径 PCB Hole Diameter [mm]	Ø1.8			



Pitch:10.16mm

WJ3EDGRC-10.16

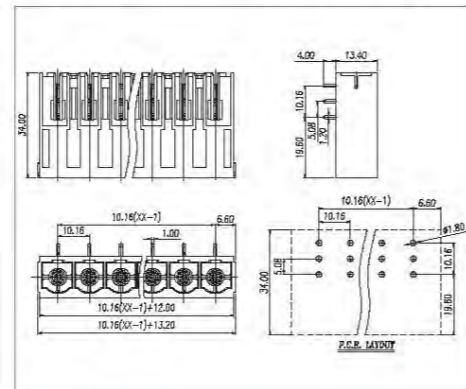
UL/CUL 技术参数 UL/CUL Technical Data		.UL.		
等级 Use Group	B C D			
额定电压 Rated Voltage [V]	300 300 300			
额定电流 Rated Current [A]	55 55 10			
接线范围 Wire Range	单芯线 Solid [AWG]	/		
	多芯线 Stranded [AWG]	/		
耐电压 Dielectric Voltage-Withstand	1.6KV			
IEC 技术参数 IEC Technical Data				
过电压类别 Overvoltage Category	III III II			
污染等级 Contamination Class	3 2 2			
额定电压 Rated Voltage [V]	1000 1000 1000			
额定电流 Rated Current [A]	76 76 76			
额定冲击电压 Impulse withstand voltage [KV]	8 8 6			
导线截面积 Conductor cross section	硬质导线 Solid [mm ²]	/		
	柔性导线 Flexible [mm ²]	/		
材料 Material				
绝缘材料 Insulation Material	PA66			
阻燃等级 Flame retardant rating	UL94V-0			
导体材料 Conductor Material	Copper alloy			
导体表面镀层 Plating of conductor surface	Sn plated			
一般参数 Other Data				
间距/极数 Pitch/Poles [mm]/[P]	10.16/2~18			
剥线长度 Stripping Length [mm]	/			
螺丝/扭矩 Screw/Torque(Max) [N.m]	/			
工作温度 Operating temperature [°C]	-40~+105			
焊锡温度 Soldering temperature	260°C /5S			
引针尺寸 Pin dimensions [mm]	1.0*1.2			
PCB板孔径 PCB Hole Diameter [mm]	Ø1.8			



Pitch:10.16mm

WJ3EDGRR-10.16

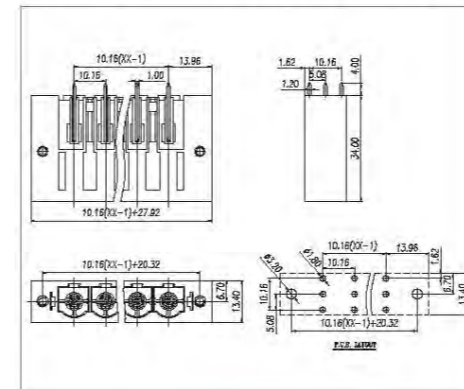
UL/CUL 技术参数 UL/CUL Technical Data		.UL.		
等级 Use Group	B C D			
额定电压 Rated Voltage [V]	300 300 300			
额定电流 Rated Current [A]	55 55 10			
接线范围 Wire Range	单芯线 Solid [AWG]	/		
	多芯线 Stranded [AWG]	/		
耐电压 Dielectric Voltage-Withstand	1.6KV			
IEC 技术参数 IEC Technical Data				
过电压类别 Overvoltage Category	III III II			
污染等级 Contamination Class	3 2 2			
额定电压 Rated Voltage [V]	1000 1000 1000			
额定电流 Rated Current [A]	76 76 76			
额定冲击电压 Impulse withstand voltage [KV]	8 8 6			
导线截面积 Conductor cross section	硬质导线 Solid [mm ²]	/		
	柔性导线 Flexible [mm ²]	/		
材料 Material				
绝缘材料 Insulation Material	PA66			
阻燃等级 Flame retardant rating	UL94V-0			
导体材料 Conductor Material	Copper alloy			
导体表面镀层 Plating of conductor surface	Sn plated			
一般参数 Other Data				
间距/极数 Pitch/Poles [mm]/[P]	10.16/2~18			
剥线长度 Stripping Length [mm]	/			
螺丝/扭矩 Screw/Torque(Max) [N.m]	/			
工作温度 Operating temperature [°C]	-40~+105			
焊锡温度 Soldering temperature	260°C /5S			
引针尺寸 Pin dimensions [mm]	1.0*1.2			
PCB板孔径 PCB Hole Diameter [mm]	Ø1.8			



Pitch:10.16mm

WJ3EDGVM-10.16

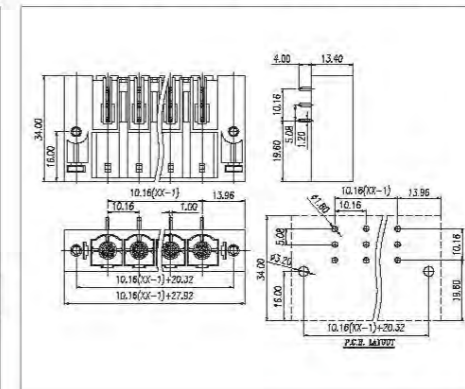
UL/CUL 技术参数 UL/CUL Technical Data		.UL.		
等级 Use Group	B C D			
额定电压 Rated Voltage [V]	300 300 300			
额定电流 Rated Current [A]	55 55 10			
接线范围 Wire Range	单芯线 Solid [AWG]	/		
	多芯线 Stranded [AWG]	/		
耐电压 Dielectric Voltage-Withstand	1.6KV			
IEC 技术参数 IEC Technical Data				
过电压类别 Overvoltage Category	III III II			
污染等级 Contamination Class	3 2 2			
额定电压 Rated Voltage [V]	1000 1000 1000			
额定电流 Rated Current [A]	76 76 76			
额定冲击电压 Impulse withstand voltage [KV]	8 8 6			
导线截面积 Conductor cross section	硬质导线 Solid [mm ²]	/		
	柔性导线 Flexible [mm ²]	/		
材料 Material				
绝缘材料 Insulation Material	PA66			
阻燃等级 Flame retardant rating	UL94V-0			
导体材料 Conductor Material	Copper alloy			
导体表面镀层 Plating of conductor surface	Sn plated			
一般参数 Other Data				
间距/极数 Pitch/Poles [mm]/[P]	10.16/2~16			
剥线长度 Stripping Length [mm]	/			
螺丝/扭矩 Screw/Torque(Max) [N.m]	/			
工作温度 Operating temperature [°C]	-40~+105			
焊锡温度 Soldering temperature	260°C /5S			
引针尺寸 Pin dimensions [mm]	1.0*1.2			
PCB板孔径 PCB Hole Diameter [mm]	Ø1.8			



Pitch:10.16mm

WJ3EDGRM-10.16

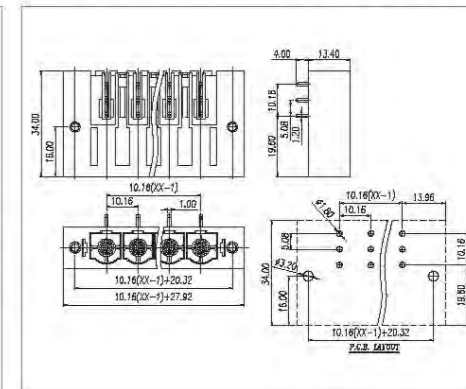
UL/CUL 技术参数 UL/CUL Technical Data		.UL.		
等级 Use Group	B C D			
额定电压 Rated Voltage [V]	300 300 300			
额定电流 Rated Current [A]	55 55 10			
接线范围 Wire Range	单芯线 Solid [AWG]	/		
	多芯线 Stranded [AWG]	/		
耐电压 Dielectric Voltage-Withstand	1.6KV			
IEC 技术参数 IEC Technical Data				
过电压类别 Overvoltage Category	III III II			
污染等级 Contamination Class	3 2 2			
额定电压 Rated Voltage [V]	1000 1000 1000			
额定电流 Rated Current [A]	76 76 76			
额定冲击电压 Impulse withstand voltage [KV]	8 8 6			
导线截面积 Conductor cross section	硬质导线 Solid [mm ²]	/		
	柔性导线 Flexible [mm ²]	/		
材料 Material				
绝缘材料 Insulation Material	PA66			
阻燃等级 Flame retardant rating	UL94V-0			
导体材料 Conductor Material	Copper alloy			
导体表面镀层 Plating of conductor surface	Sn plated			
一般参数 Other Data				
间距/极数 Pitch/Poles [mm]/[P]	10.16/2~16			
剥线长度 Stripping Length [mm]	/			
螺丝/扭矩 Screw/Torque(Max) [N.m]	/			
工作温度 Operating temperature [°C]	-40~+105			
焊锡温度 Soldering temperature	260°C /5S			
引针尺寸 Pin dimensions [mm]	1.0*1.2			
PCB板孔径 PCB Hole Diameter [mm]	Ø1.8			



Pitch:10.16mm

WJ3EDGRRM-10.16

UL/CUL 技术参数 UL/CUL Technical Data		.UL.		
等级 Use Group	B C D			
额定电压 Rated Voltage [V]	300 300 300			
额定电流 Rated Current [A]	55 55 10			
接线范围 Wire Range	单芯线 Solid [AWG]	/		
	多芯线 Stranded [AWG]	/		
耐电压 Dielectric Voltage-Withstand	1.6KV			
IEC 技术参数 IEC Technical Data				
过电压类别 Overvoltage Category	III III II			
污染等级 Contamination Class	3 2 2			
额定电压 Rated Voltage [V]	1000 1000 1000			
额定电流 Rated Current [A]	76 76 76			
额定冲击电压 Impulse withstand voltage [KV]	8 8 6			
导线截面积 Conductor cross section	硬质导线 Solid [mm ²]	/		
	柔性导线 Flexible [mm ²]	/		
材料 Material				
绝缘材料 Insulation Material	PA66			
阻燃等级 Flame retardant rating	UL94V-0			
导体材料 Conductor Material	Copper alloy			
导体表面镀层 Plating of conductor surface	Sn plated			
一般参数 Other Data				
间距/极数 Pitch/Poles [mm]/[P]	10.16/2~16			
剥线长度 Stripping Length [mm]	/			
螺丝/扭矩 Screw/Torque(Max) [N.m]	/			
工作温度 Operating temperature [°C]	-40~+105			
焊锡温度 Soldering temperature	260°C /5S			
引针尺寸 Pin dimensions [mm]	1.0*1.2			
PCB板孔径 PCB Hole Diameter [mm]	Ø1.8			

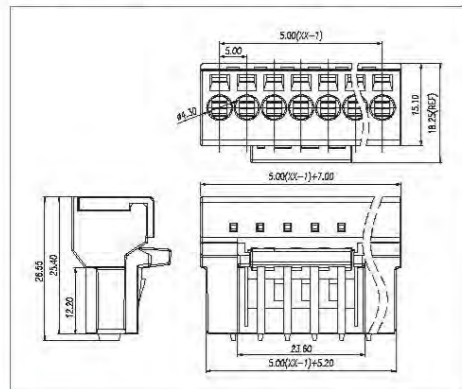




Pitch:5.0mm

WJ9KS-5.0

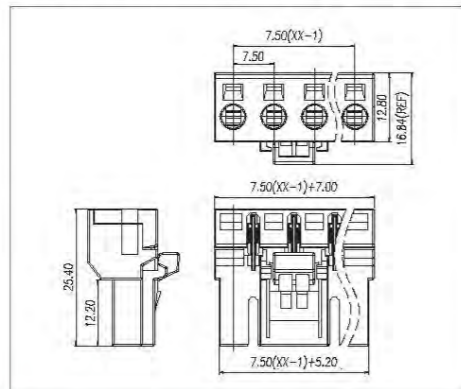
UL/CUL 技术参数 UL/CUL Technical Data		UL	
等级 Use Group	B C D		
额定电压 Rated Voltage [V]	300 - 300		
额定电流 Rated Current [A]	16 - 10		
接线范围 Wire Range	单芯线 Solid [AWG]	28-12	
	多芯线 Stranded [AWG]	28-12	
耐电压 Dielectric Voltage-Withstand	1.6KV		
IEC 技术参数 IEC Technical Data			
过电压类别 Overvoltage Category	III III II		
污染等级 Contamination Class	3 2 2		
额定电压 Rated Voltage [V]	160 160 320		
额定电流 Rated Current [A]	20 20 20		
额定冲击电压 Impulse withstand voltage [KV]	4 4 4		
导线截面积 Conductor cross section	硬质导线 Solid [mm ²]	0.2-2.5	
	柔性导线 Flexible [mm ²]	0.2-2.5	
材料 Material			
绝缘材料 Insulation Material	PA66		
阻燃等级 Flame retardant rating	UL94V-0		
导体材料 Conductor Material	Copper alloy		
导体表面镀层 Plating of conductor surface	Au plated area		
一般参数 Other Data			
间距/极数 Pitch/Poles [mm]/[P]	5.0/02,04-14		
剥线长度 Stripping Length [mm]	7-8		
螺丝/扭矩 Screw/Torque(Max) [N.m]	/		
工作温度 Operating temperature [°C]	-40~+105		
焊锡温度 Soldering temperature	/		
引针尺寸 Pin dimensions [mm]	/		
PCB板孔径 PCB Hole Diameter [mm]	/		



Pitch:7.5mm

WJ9KS-7.5

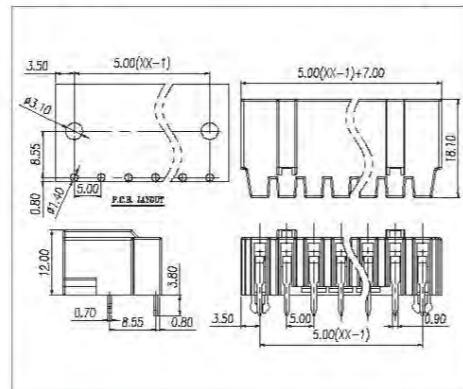
UL/CUL 技术参数 UL/CUL Technical Data		UL	
等级 Use Group	B C D		
额定电压 Rated Voltage [V]	300 300 600		
额定电流 Rated Current [A]	16 16 5		
接线范围 Wire Range	单芯线 Solid [AWG]	28-12	
	多芯线 Stranded [AWG]	28-12	
耐电压 Dielectric Voltage-Withstand	1.6KV		
IEC 技术参数 IEC Technical Data			
过电压类别 Overvoltage Category	III III II		
污染等级 Contamination Class	3 2 2		
额定电压 Rated Voltage [V]	500 630 1000		
额定电流 Rated Current [A]	20 20 20		
额定冲击电压 Impulse withstand voltage [KV]	6 6 6		
导线截面积 Conductor cross section	硬质导线 Solid [mm ²]	0.2-2.5	
	柔性导线 Flexible [mm ²]	0.2-2.5	
材料 Material			
绝缘材料 Insulation Material	PA66		
阻燃等级 Flame retardant rating	UL94V-0		
导体材料 Conductor Material	Copper alloy		
导体表面镀层 Plating of conductor surface	Au plated area		
一般参数 Other Data			
间距/极数 Pitch/Poles [mm]/[P]	7.5/02-09,11		
剥线长度 Stripping Length [mm]	7-8		
螺丝/扭矩 Screw/Torque(Max) [N.m]	/		
工作温度 Operating temperature [°C]	-40~+105		
焊锡温度 Soldering temperature	/		
引针尺寸 Pin dimensions [mm]	/		
PCB板孔径 PCB Hole Diameter [mm]	/		



Pitch:5.0mm

WJ9RC-5.0

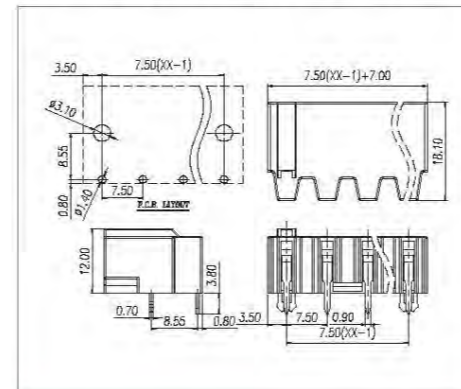
UL/CUL 技术参数 UL/CUL Technical Data		UL	
等级 Use Group	B C D		
额定电压 Rated Voltage [V]	300 - 300		
额定电流 Rated Current [A]	16 - 10		
接线范围 Wire Range	单芯线 Solid [AWG]	/	
	多芯线 Stranded [AWG]	/	
耐电压 Dielectric Voltage-Withstand	1.6KV		
IEC 技术参数 IEC Technical Data			
过电压类别 Overvoltage Category	III III II		
污染等级 Contamination Class	3 2 2		
额定电压 Rated Voltage [V]	160 160 320		
额定电流 Rated Current [A]	20 20 20		
额定冲击电压 Impulse withstand voltage [KV]	4 4 4		
导线截面积 Conductor cross section	硬质导线 Solid [mm ²]	/	
	柔性导线 Flexible [mm ²]	/	
材料 Material			
绝缘材料 Insulation Material	PA66		
阻燃等级 Flame retardant rating	UL94V-0		
导体材料 Conductor Material	Copper alloy		
导体表面镀层 Plating of conductor surface	Au plated area		
一般参数 Other Data			
间距/极数 Pitch/Poles [mm]/[P]	5.0/02,04-14		
剥线长度 Stripping Length [mm]	/		
螺丝/扭矩 Screw/Torque(Max) [N.m]	/		
工作温度 Operating temperature [°C]	-40~+105		
焊锡温度 Soldering temperature	260°C /5S		
引针尺寸 Pin dimensions [mm]	0.7*0.9		
PCB板孔径 PCB Hole Diameter [mm]	Ø1.4		



Pitch:7.5mm

WJ9RC-7.5

UL/CUL 技术参数 UL/CUL Technical Data		UL	
等级 Use Group	B C D		
额定电压 Rated Voltage [V]	300 300 600		
额定电流 Rated Current [A]	16 16 5		
接线范围 Wire Range	单芯线 Solid [AWG]	/	
	多芯线 Stranded [AWG]	/	
耐电压 Dielectric Voltage-Withstand	1.6KV		
IEC 技术参数 IEC Technical Data			
过电压类别 Overvoltage Category	III III II		
污染等级 Contamination Class	3 2 2		
额定电压 Rated Voltage [V]	500 630 1000		
额定电流 Rated Current [A]	20 20 20		
额定冲击电压 Impulse withstand voltage [KV]	6 6 6		
导线截面积 Conductor cross section	硬质导线 Solid [mm ²]	/	
	柔性导线 Flexible [mm ²]	/	
材料 Material			
绝缘材料 Insulation Material	LCP		
阻燃等级 Flame retardant rating	UL94V-0		
导体材料 Conductor Material	Copper alloy		
导体表面镀层 Plating of conductor surface	Au plated area		
一般参数 Other Data			
间距/极数 Pitch/Poles [mm]/[P]	7.5/02-09,11		
剥线长度 Stripping Length [mm]	/		
螺丝/扭矩 Screw/Torque(Max) [N.m]	/		
工作温度 Operating temperature [°C]	-40~130		
焊锡温度 Soldering temperature	285°C		
引针尺寸 Pin dimensions [mm]	0.7*0.9		
PCB板孔径 PCB Hole Diameter [mm]	Ø1.4		

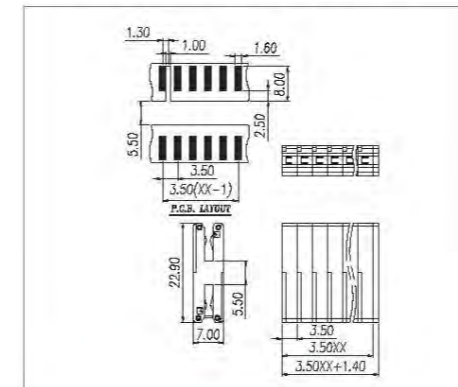




Pitch:3.5mm

WJPCP-3.5

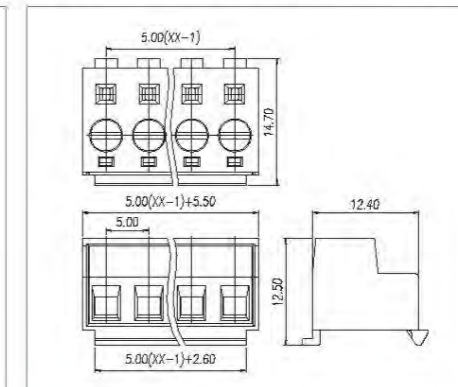
UL/CUL 技术参数		UL/CUL Technical Data		UL	
等级	Use Group	B	C	D	
额定电压	Rated Voltage [V]	150	-	-	
额定电流	Rated Current [A]	8	-	-	
接线范围 Wire Range	单芯线 Solid [AWG]	/			
	多芯线 Stranded [AWG]	/			
耐电压	Dielectric Voltage-Withstand	1.3KV			
IEC 技术参数		IEC Technical Data			
过电压类别	Surge voltage category	III	III	II	
污染等级	Contamination Class	3	2	2	
额定电压	Rated Voltage [V]	160	200	320	
额定电流	Rated Current [A]	8	8	8	
额定冲击电压	Impulse withstand voltage [KV]	2.5	2.5	2.5	
导线截面积 Conductor cross section	硬质导线 Solid [mm ²]	/			
	柔性导线 Flexible [mm ²]	/			
材料 Material					
绝缘材料	Insulation Material	PA66			
阻燃等级	Inflammability Class	UL94V-0			
导体材料	Conductor Material	Copper alloy			
导体表面镀层	Conductor Plating	Sn plated			
一般参数 Other Data					
间距/极数	Pitch/Poles [mm]/[P]	3.5/2-24			
剥线长度	Stripping Length [mm]	/			
螺丝/扭矩	Screw/Torque(Max) [N.m]	/			
工作温度	Operating temperature [°C]	-40~+105			
锡焊温度	Soldering temperature	/			
引针尺寸	Pin dimensions [mm]	/			
PCB板孔径	PCB Hole Diameter [mm]	/			



Pitch:5.0mm

WJ331-5.0

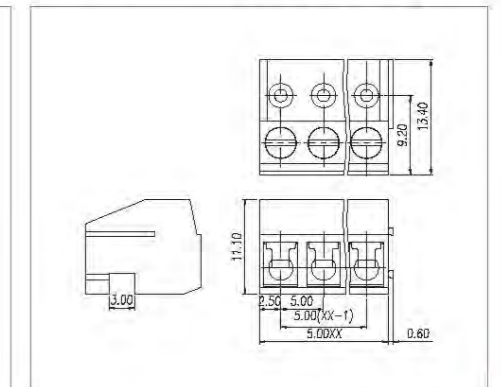
UL/CUL 技术参数		UL/CUL Technical Data		UL	
等级	Use Group	B	C	D	
额定电压	Rated Voltage [V]	300	-	300	
额定电流	Rated Current [A]	12	-	10	
接线范围 Wire Range	单芯线 Solid [AWG]	28~14			
	多芯线 Stranded [AWG]	28~14			
耐电压	Dielectric Voltage-Withstand	1.6KV			
IEC 技术参数		IEC Technical Data			
过电压类别	Overvoltage Category	III	III	II	
污染等级	Contamination Class	3	2	2	
额定电压	Rated Voltage [V]	250	320	400	
额定电流	Rated Current [A]	12	12	12	
额定冲击电压	Impulse withstand voltage [KV]	4	4	4	
导线截面积 Conductor cross section	硬质导线 Solid [mm ²]	0.5~1.5			
	柔性导线 Flexible [mm ²]	0.5~1.5			
材料 Material					
绝缘材料	Insulation Material	PA66			
阻燃等级	Flame retardant rating	UL94V-0			
导体材料	Conductor Material	Copper alloy			
导体表面镀层	Plating of conductor surface	Sn plated			
一般参数 Other Data					
间距/极数	Pitch/Poles [mm]/[P]	5.0/2~24			
剥线长度	Stripping Length [mm]	5~6			
螺丝/扭矩	Screw/Torque(Max) [N.m]	M2.5/0.4			
工作温度	Operating temperature [°C]	-40~+105			
锡焊温度	Soldering temperature	/			
引针尺寸	Pin dimensions [mm]	/			
PCB板孔径	PCB Hole Diameter [mm]	/			



Pitch:5.0mm

WJ332K-5.0

UL/CUL 技术参数		UL/CUL Technical Data		UL	
等级	Use Group	B	C	D	
额定电压	Rated Voltage [V]	300	-	300	
额定电流	Rated Current [A]	10	-	10	
接线范围 Wire Range	单芯线 Solid [AWG]	28~16			
	多芯线 Stranded [AWG]	28~16			
耐电压	Dielectric Voltage-Withstand	1.6KV			
IEC 技术参数		IEC Technical Data			
过电压类别	Overvoltage Category	III	III	II	
污染等级	Contamination Class	3	2	2	
额定电压	Rated Voltage [V]	250	320	400	
额定电流	Rated Current [A]	12	12	12	
额定冲击电压	Impulse withstand voltage [KV]	4	4	4	
导线截面积 Conductor cross section	硬质导线 Solid [mm ²]	0.2~1.5			
	柔性导线 Flexible [mm ²]	0.2~1.5			
材料 Material					
绝缘材料	Insulation Material	PA66			
阻燃等级	Flame retardant rating	UL94V-0			
导体材料	Conductor Material	Copper alloy			
导体表面镀层	Plating of conductor surface	Sn plated			
一般参数 Other Data					
间距/极数	Pitch/Poles [mm]/[P]	5.0/2~24			
剥线长度	Stripping Length [mm]	5~6			
螺丝/扭矩	Screw/Torque(Max) [N.m]	M2.5/0.4			
工作温度	Operating temperature [°C]	-40~+105			
锡焊温度	Soldering temperature	/			
引针尺寸	Pin dimensions [mm]	/			
PCB板孔径	PCB Hole Diameter [mm]	/			





Pitch:3.5mm



Pitch:5.0mm



Pitch:3.5mm



Pitch:5.0mm



Pitch:5.0mm



Pitch:3.5mm

WJ333K-3.5

WJ333K-5.0

WJ335K-3.5

WJ332J-5.0

WJ332J-THR-5.0

WJ333J-3.5

UL/CUL 技术参数 UL/CUL Technical Data			
等级 Use Group	B C D		
额定电压 Rated Voltage [V]	300 - 300		
额定电流 Rated Current [A]	8 - 8		
接线范围 Wire Range	单芯线 Solid [AWG]	28~16	
	多芯线 Stranded [AWG]	28~16	
耐电压 Dielectric Voltage-Withstand	1.6KV		
IEC 技术参数 IEC Technical Data			
过电压类别 Overvoltage Category	II II II		
污染等级 Contamination Class	3 2 2		
额定电压 Rated Voltage [V]	160 250 250		
额定电流 Rated Current [A]	8 8 8		
额定冲击电压 Impulse withstand voltage [KV]	2.5 2.5 2.5		
导线截面积 Conductor cross section	硬质导线 Solid [mm ²]	0.2~1.0	
	柔性导线 Flexible [mm ²]	0.2~1.0	
材料 Material			
绝缘材料 Insulation Material	PA66		
阻燃等级 Flame retardant rating	UL94V-0		
导体材料 Conductor Material	Copper alloy		
导体表面镀层 Plating of conductor surface	Sn plated		
一般参数 Other Data			
间距/极数 Pitch/Poles [mm]/[P]	3.5/2~24		
剥线长度 Stripping Length [mm]	5~6		
螺丝/扭矩 Screw/Torque(Max) [N.m]	M2/0.2		
工作温度 Operating temperature [°C]	-40~+105		
焊接温度 Soldering temperature	/		
引针尺寸 Pin dimensions [mm]	/		
PCB板孔径 PCB Hole Diameter [mm]	/		

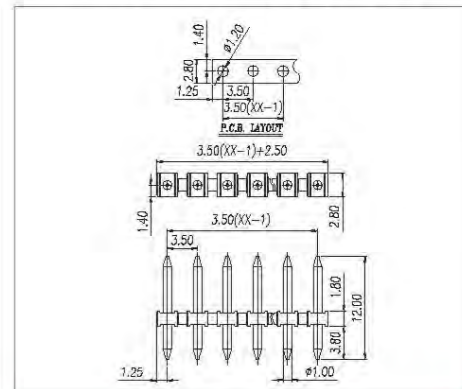
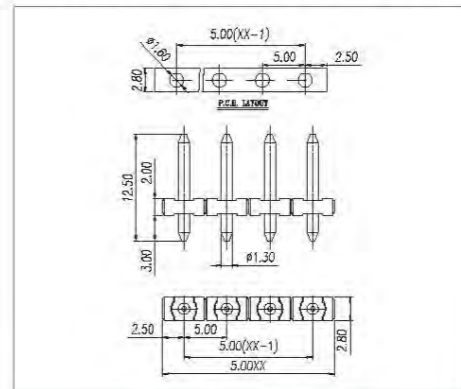
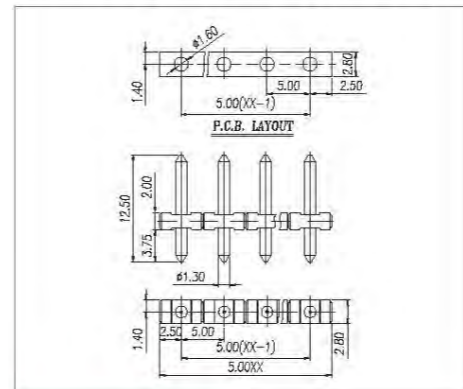
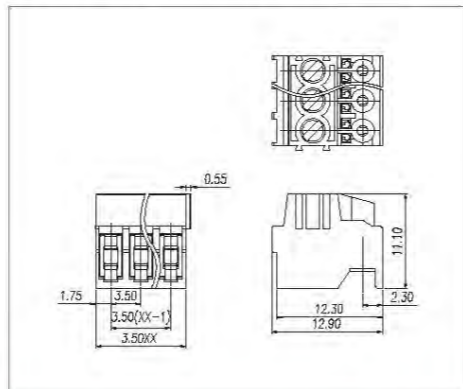
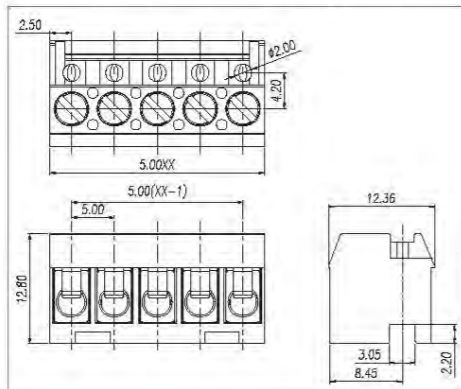
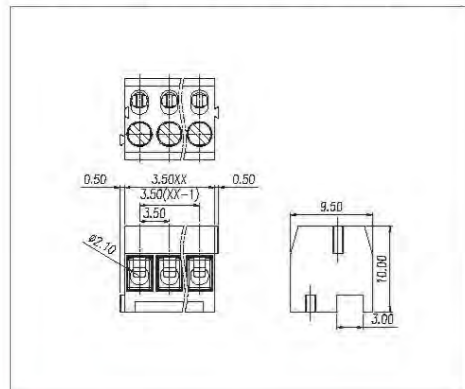
UL/CUL 技术参数 UL/CUL Technical Data			
等级 Use Group	B C D		
额定电压 Rated Voltage [V]	300 - 300		
额定电流 Rated Current [A]	12 - 10		
接线范围 Wire Range	单芯线 Solid [AWG]	28~12	
	多芯线 Stranded [AWG]	28~12	
耐电压 Dielectric Voltage-Withstand	1.6KV		
IEC 技术参数 IEC Technical Data			
过电压类别 Overvoltage Category	II II II		
污染等级 Contamination Class	3 2 2		
额定电压 Rated Voltage [V]	100 320 320		
额定电流 Rated Current [A]	10 10 10		
额定冲击电压 Impulse withstand voltage [KV]	2.5 2.5 2.5		
导线截面积 Conductor cross section	硬质导线 Solid [mm ²]	0.5~2.5	
	柔性导线 Flexible [mm ²]	0.5~2.5	
材料 Material			
绝缘材料 Insulation Material	PA66		
阻燃等级 Flame retardant rating	UL94V-0		
导体材料 Conductor Material	Copper alloy		
导体表面镀层 Plating of conductor surface	Sn plated		
一般参数 Other Data			
间距/极数 Pitch/Poles [mm]/[P]	5.0/2~24		
剥线长度 Stripping Length [mm]	5~6		
螺丝/扭矩 Screw/Torque(Max) [N.m]	M3/0.5		
工作温度 Operating temperature [°C]	-40~+105		
焊接温度 Soldering temperature	/		
引针尺寸 Pin dimensions [mm]	/		
PCB板孔径 PCB Hole Diameter [mm]	/		

UL/CUL 技术参数 UL/CUL Technical Data			
等级 Use Group	B C D		
额定电压 Rated Voltage [V]	300 - 300		
额定电流 Rated Current [A]	10 - 10		
接线范围 Wire Range	单芯线 Solid [AWG]	26~16	
	多芯线 Stranded [AWG]	26~16	
耐电压 Dielectric Voltage-Withstand	1.6KV		
IEC 技术参数 IEC Technical Data			
过电压类别 Overvoltage Category	II II II		
污染等级 Contamination Class	3 2 2		
额定电压 Rated Voltage [V]	160 200 400		
额定电流 Rated Current [A]	8 8 8		
额定冲击电压 Impulse withstand voltage [KV]	2.5 2.5 2.5		
导线截面积 Conductor cross section	硬质导线 Solid [mm ²]	0.2~1.5	
	柔性导线 Flexible [mm ²]	0.2~1.5	
材料 Material			
绝缘材料 Insulation Material	PA66		
阻燃等级 Flame retardant rating	UL94V-0		
导体材料 Conductor Material	Copper alloy		
导体表面镀层 Plating of conductor surface	Sn plated		
一般参数 Other Data			
间距/极数 Pitch/Poles [mm]/[P]	3.5/2~24		
剥线长度 Stripping Length [mm]	4~5		
螺丝/扭矩 Screw/Torque(Max) [N.m]	M2/0.2		
工作温度 Operating temperature [°C]	-40~+105		
焊接温度 Soldering temperature	/		
引针尺寸 Pin dimensions [mm]	/		
PCB板孔径 PCB Hole Diameter [mm]	/		

UL/CUL 技术参数 UL/CUL Technical Data			
等级 Use Group	B C D		
额定电压 Rated Voltage [V]	300 - 300		
额定电流 Rated Current [A]	10 - 10		
接线范围 Wire Range	单芯线 Solid [AWG]	/	
	多芯线 Stranded [AWG]	/	
耐电压 Dielectric Voltage-Withstand	1.6KV		
IEC 技术参数 IEC Technical Data			
过电压类别 Overvoltage Category	II II II		
污染等级 Contamination Class	3 2 2		
额定电压 Rated Voltage [V]	250 320 400		
额定电流 Rated Current [A]	12 12 12		
额定冲击电压 Impulse withstand voltage [KV]	4 4 4		
导线截面积 Conductor cross section	硬质导线 Solid [mm ²]	/	
	柔性导线 Flexible [mm ²]	/	
材料 Material			
绝缘材料 Insulation Material	PBT		
阻燃等级 Flame retardant rating	UL94V-0		
导体材料 Conductor Material	Copper alloy		
导体表面镀层 Plating of conductor surface	Sn plated		
一般参数 Other Data			
间距/极数 Pitch/Poles [mm]/[P]	5.0/2~24		
剥线长度 Stripping Length [mm]	/		
螺丝/扭矩 Screw/Torque(Max) [N.m]	/		
工作温度 Operating temperature [°C]	-30~+120		
焊接温度 Soldering temperature	260°C /5S		
引针尺寸 Pin dimensions [mm]	Ø1.3		
PCB板孔径 PCB Hole Diameter [mm]	Ø1.6		

UL/CUL 技术参数 UL/CUL Technical Data			
等级 Use Group	B C D		
额定电压 Rated Voltage [V]	300 - 300		
额定电流 Rated Current [A]	16 - 10		
接线范围 Wire Range	单芯线 Solid [AWG]	/	
	多芯线 Stranded [AWG]	/	
耐电压 Dielectric Voltage-Withstand	1.6KV		
IEC 技术参数 IEC Technical Data			
过电压类别 Overvoltage Category	II II II		
污染等级 Contamination Class	3 2 2		
额定电压 Rated Voltage [V]	250 320 400		
额定电流 Rated Current [A]	12 12 12		
额定冲击电压 Impulse withstand voltage [KV]	4 4 4		
导线截面积 Conductor cross section	硬质导线 Solid [mm ²]	/	
	柔性导线 Flexible [mm ²]	/	
材料 Material			
绝缘材料 Insulation Material	LCP		
阻燃等级 Flame retardant rating	UL94V-0		
导体材料 Conductor Material	Copper alloy		
导体表面镀层 Plating of conductor surface	Sn plated		
一般参数 Other Data			
间距/极数 Pitch/Poles [mm]/[P]	5.0/2~24		
剥线长度 Stripping Length [mm]	/		
螺丝/扭矩 Screw/Torque(Max) [N.m]	/		
工作温度 Operating temperature [°C]	-40~+130		
焊接温度 Soldering temperature	285°C/10S		
引针尺寸 Pin dimensions [mm]	Ø1.3		
PCB板孔径 PCB Hole Diameter [mm]	Ø1.6		

UL/CUL 技术参数 UL/CUL Technical Data			
等级 Use Group	B C D		
额定电压 Rated Voltage [V]	300 - 300		
额定电流 Rated Current [A]	8 - 8		
接线范围 Wire Range	单芯线 Solid [AWG]	/	
	多芯线 Stranded [AWG]	/	
耐电压 Dielectric Voltage-Withstand	1.6KV		
IEC 技术参数 IEC Technical Data			
过电压类别 Overvoltage Category	II II II		
污染等级 Contamination Class	3 2 2		
额定电压 Rated Voltage [V]	160 250 250		
额定电流 Rated Current [A]	8 8 8		
额定冲击电压 Impulse withstand voltage [KV]	2.5 2.5 2.5		
导线截面积 Conductor cross section	硬质导线 Solid [mm ²]	/	
	柔性导线 Flexible [mm ²]	/	
材料 Material			
绝缘材料 Insulation Material	PBT		
阻燃等级 Flame retardant rating	UL94V-0		
导体材料 Conductor Material	Copper alloy		
导体表面镀层 Plating of conductor surface	Sn plated		
一般参数 Other Data			
间距/极数 Pitch/Poles [mm]/[P]	3.5/2~24		
剥线长度 Stripping Length [mm]	/		
螺丝/扭矩 Screw/Torque(Max) [N.m]	/		
工作温度 Operating temperature [°C]	-30~+120		
焊接温度 Soldering temperature	260°C /5S		
引针尺寸 Pin dimensions [mm]	Ø1.0		
PCB板孔径 PCB Hole Diameter [mm]	Ø1.2		

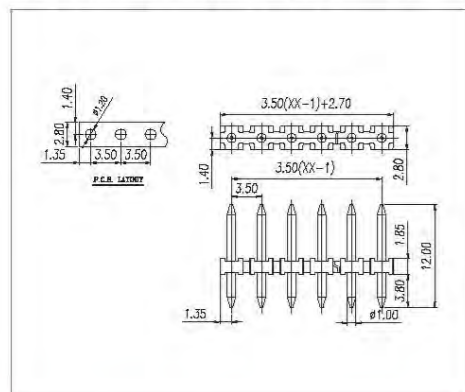




Pitch:3.5mm

WJ333J-THR-3.5

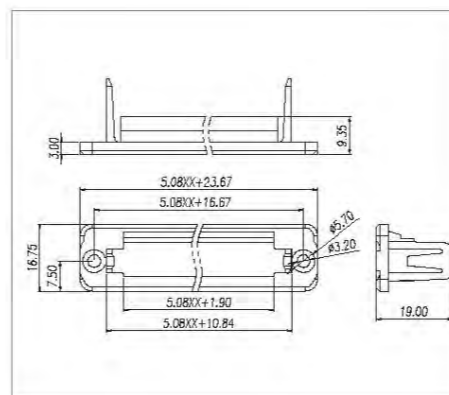
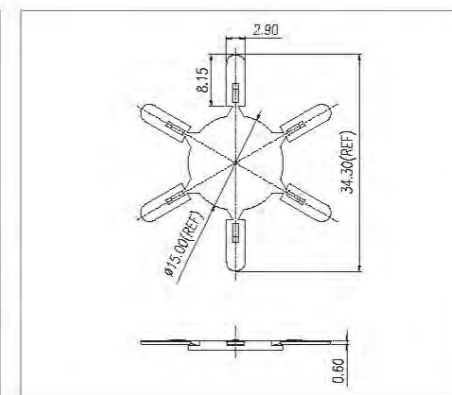
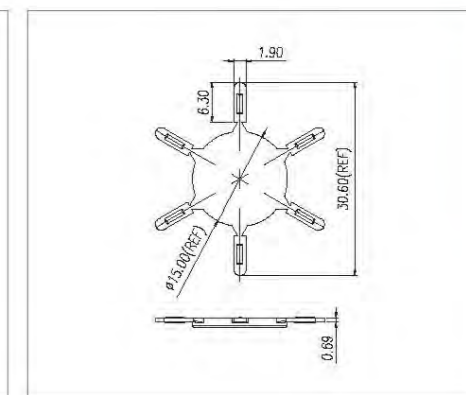
UL/CUL 技术参数 UL/CUL Technical Data		B	C	D
等级 Use Group				
额定电压 Rated Voltage [V]		300	-	300
额定电流 Rated Current [A]		10	-	10
接线范围 Wire Range	单芯线 Solid [AWG]	/		
	多芯线 Stranded [AWG]	/		
耐电压 Dielectric Voltage-Withstand		1.6KV		
IEC 技术参数 IEC Technical Data				
过电压类别 Overvoltage Category		II	III	III
污染等级 Contamination Class		3	2	2
额定电压 Rated Voltage [V]		160	250	250
额定电流 Rated Current [A]		8	8	8
额定冲击电压 Impulse withstand voltage [KV]		2.5	2.5	2.5
导线截面积 Conductor cross section	硬质导线 Solid [mm ²]	/		
	柔性导线 Flexible [mm ²]	/		
材料 Material				
绝缘材料 Insulation Material		LCP		
阻燃等级 Flame retardant rating		UL94V-0		
导体材料 Conductor Material		Copper alloy		
导体表面镀层 Plating of conductor surface		Sn plated		
一般参数 Other Data				
间距/极数 Pitch/Poles [mm]/[P]		3.5/2~24		
剥线长度 Stripping Length [mm]		/		
螺丝/扭矩 Screw/Torque(Max) [N.m]		/		
工作温度 Operating temperature [°C]		-40~+130		
锡焊温度 Soldering temperature		285°C/10S		
引针尺寸 Pin dimensions [mm]		Ø1.0		
PCB板孔径 PCB Hole Diameter [mm]		Ø1.2		



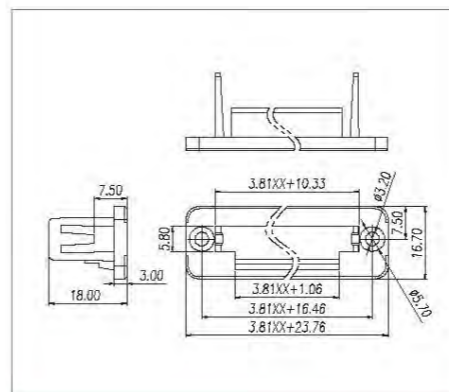
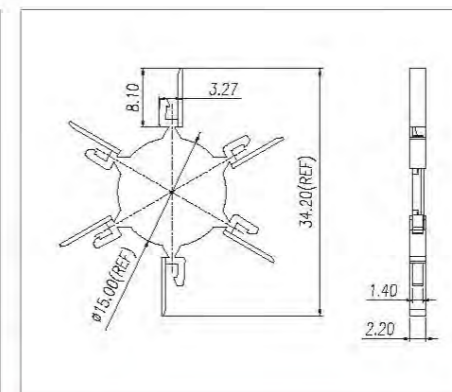
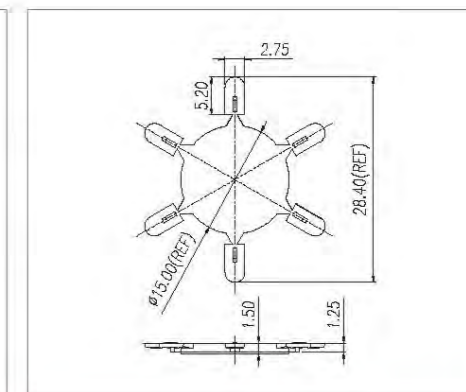
ISO14001 ISO45001 ISO9001 ISO80079-34 ISO/TS 22163



Pitch:5.08mm

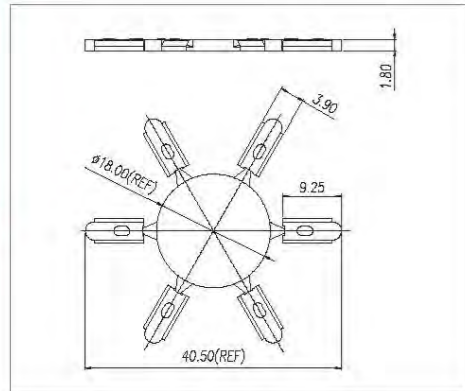
WJM01-5.08

WJ2EDG-PWI

WJ15EDG-PWI-2.5


Pitch:3.81mm

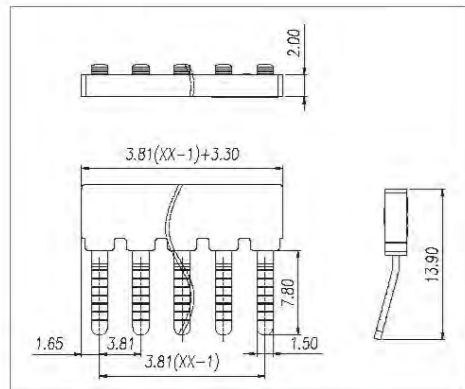
WJM02-3.81

WJ2EDG-PWP

WJ15EDG-PWP




WJ3EDG-PWI



WJG04-3.81



WJ331/WJ332/WJ333 产品互配选型参考表 WJ331/WJ332/WJ333 Product Matched Reference Table

PCB Headers	WJ332J-5.0	WJ333J-3.5	WJ332J-THR-5.0	WJ333J-THR-3.5														
	Plugs																	
WJ331-5.0	●		●															
WJ332K-5.0	●		●															
WJ333K-5.0	●		●															
WJ333K-3.5		●		●														
WJ335K-3.5		●		●														

插拔式产品互配选型参考表 Plug-in Type Product Matched Reference Table

PCB Headers	WJ2EDG VMG-THT -5.08	WJ2EDG RMG-THT -5.08
	Plugs	
WJ2EDGKDBG-5.08	●	

PCB Headers	WJ15VD-THR-2.54	WJ24VC-7.62	WJ24KR-7.62
	Plugs		
WJ15KV-THR-2.54	●		
WJ24KV-7.62		●	●

PCB Headers	WJ2EDG VHC-5.08	WJ2EDG VHCM-5.08
	Plugs	
WJ2EDGKNH-5.08	●	
WJ2EDGKNHM-5.08		●

插拔式产品互配选型参考表 Plug-in Type Product Matched Reference Table

PCB Headers Plugs	WJ15EDGVH -THT-3.5/3.81	WJ15EDGVH M-THT-3.5/3.81	WJ15EDGVH N-THT-3.5/3.81	WJ15EDGV H3C-THT-3.5	WJ15EDGV H3M-THT-3.5	WJ15EDGV H3N-THT-3.5	WJ15EDGV H3C-3.5	WJ15EDGV H3M-3.5	WJ15EDGV H3N-3.5	WJ15EDGV HC-THR-3.5	WJ15EDGV HCM-THR-3.5	WJ15EDGV HSC-THR-2.54	WJ15EDGV HSM-THR-2.54	WJ15EDGV HS-THR-3.5	WJ15EDGV HSM-THR-3.5	WJ15EDGV HS-3.5	WJ15EDGV HSM-3.5	WJ15EDGV KNR-3.5	WJ15EDGV KNRT-3.5	WJ15EDGV VG-3.5/3.81	WJ15EDGV KDR-3.81	WJ15EDGV KDRN-3.81	PCB Headers Plugs	
	WJ15EDGRH -THT-3.5/3.81	WJ15EDGRH M-THT-3.5/3.81	WJ15EDGRH N-THT-3.5/3.81	WJ15EDGR H3C-THT-3.5	WJ15EDGR H3M-THT-3.5	WJ15EDGR H3N-THT-3.5	WJ15EDGR H3C-3.5	WJ15EDGR H3M-3.5	WJ15EDGR H3N-3.5	WJ15EDGR HC-THR-3.5	WJ15EDGR HCM-THR-3.5	WJ15EDGR HSC-THR-2.54	WJ15EDGR HSM-THR-2.54	WJ15EDGR HS-THR-3.5	WJ15EDGR HSM-THR-3.5	WJ15EDGR HS-3.5	WJ15EDGR HSM-3.5	WJ15EDGR KNR-3.5	WJ15EDGR KNRT-3.5	WJ15EDGR VG-3.5/3.81	WJ15EDGR KDR-3.81	WJ15EDGR KDRN-3.81		
WJ15EDGKN-3.5/3.81	●			●			●											●			●		WJ15KV-3.5/3.81	
WJ15EDGKNM-3.5/3.81		●			●			●															●	WJ15KVM-3.5/3.81
WJ15EDGKNG-3.5/3.81			●			●			●											●	●			WJ15KVG-3.5/3.81
WJ15EDGKN-B-3.5/3.81	●																							
WJ15EDGKNM-B-3.5/3.81		●																						
WJ15EDGKNG-B-3.5/3.81			●																					
WJ15EDGKNH-3.5										●														
WJ15EDGKNHM-3.5											●													
WJ15EDGKNHG-3.5											●													
WJ15EDGKNHB-2.54												●												
WJ15EDGKNHBM-2.54													●											
WJ15EDGKNHBG-2.54														●										
WJ15EDGKNHB-3.5														●										
WJ15EDGKNHBM-3.5															●									
WJ15EDGKNHBG-3.5																●								
WJ15EDGKSH-3.5														●										
WJ15EDGKSHM-3.5																	●							
WJ15EDGKSHG-3.5																		●						

PCB Headers Plugs	WJ15EDG VC-2.5	WJ15EDG VC-2.54	WJ15EDGVC-THR-3.5/3.81	WJ15EDGM-THR-3.5/3.81	WJ15EDG KR-3.5/3.81	WJ15EDG KRM-3.5/3.81	WJ15EDG KRN-3.5/3.81	WJ15EDG VF-3.81	WJ15EDG GB-3.81	WJ15EDG GBM-3.81	WJ15EDG LC-3.5/3.81	WJ15EDG LM-3.5/3.81	WJ15EDG VC-3.5/3.81	WJ15EDG VM-3.5/3.81	WJ15EDG KNRG-3.5	WJ15EDG M-3.81	WJ15EDG VT-3.5/3.81	WJ15EDG VTM-3.5/3.81	WJ15EDG VH-3.5/3.81	WJ15EDG VHM-3.5/3.81	WJ15EDG VC-5.08	WJ15EDG VM-5.08	WJ15EDG VMG-3.5/3.81	WJ15EDG KDR-3.81	WJ15EDG KDRN-3.81	PCB Headers Plugs
	WJ15EDG RC-2.5	WJ15EDG RC-2.54	WJ15EDGRC-THR-3.5/3.81	WJ15EDGRM-THR-3.5/3.81									WJ15EDG RC-3.5/3.81	WJ15EDG RM-3.5/3.81			WJ15EDG RT-3.5/3.81	WJ15EDG RTM-3.5/3.81	WJ15EDG RH-3.5/3.81	WJ15EDG RHM-3.5/3.81	WJ15EDG RC-5.08	WJ15EDG RM-5.08	WJ15EDG RMG-3.5/3.81			
WJ15EDGKD-2.5	●																									
WJ15EDGK-2.54		●																								
WJ15EDGK-3.5/3.81			●		●			●	●				●					●		●						
WJ15EDGKM-3.5/3.81				●																						
WJ15EDGKA-3.5/3.81			●		●			●	●				●													
WJ15EDGKAM-3.5/3.81				●																						
WJ15EDGKB-3.5/3.81			●		●			●	●				●													
WJ15EDGKBM-3.5/3.81				●																						
WJ15EDGKC-3.81			●		●			●	●				●													
WJ15EDGKCM-3.81				●																						
WJ15EDGKD-3.5/3.81			●		●			●	●				●													
WJ15EDGKDM-3.5/3.81				●																						
WJ15EDGKD-3.5/3.81			●		●			●	●				●													
WJ15EDGKDH-3.5/3.81				●																						
WJ15EDGKDHM-3.5/3.81				●																						
WJ15EDGA-3.5/3.81			●		●								●													
WJ15EDGB-3.5/3.81			●		●								●													
WJ15EDGAM-3.5/3.81								●					●													
WJ15EDGBM-3.5/3.81								●					●													
WJ15EDGAG-3.5															●											
WJ15EDGBG-3.5															●											
WJ15EDGK-5.08																										
WJ15EDGKM-5.08																										
WJ15EDGKGB-3.5/3.81																										

插拔式产品互配选型参考表 Plug-in Type Product Matched Reference Table

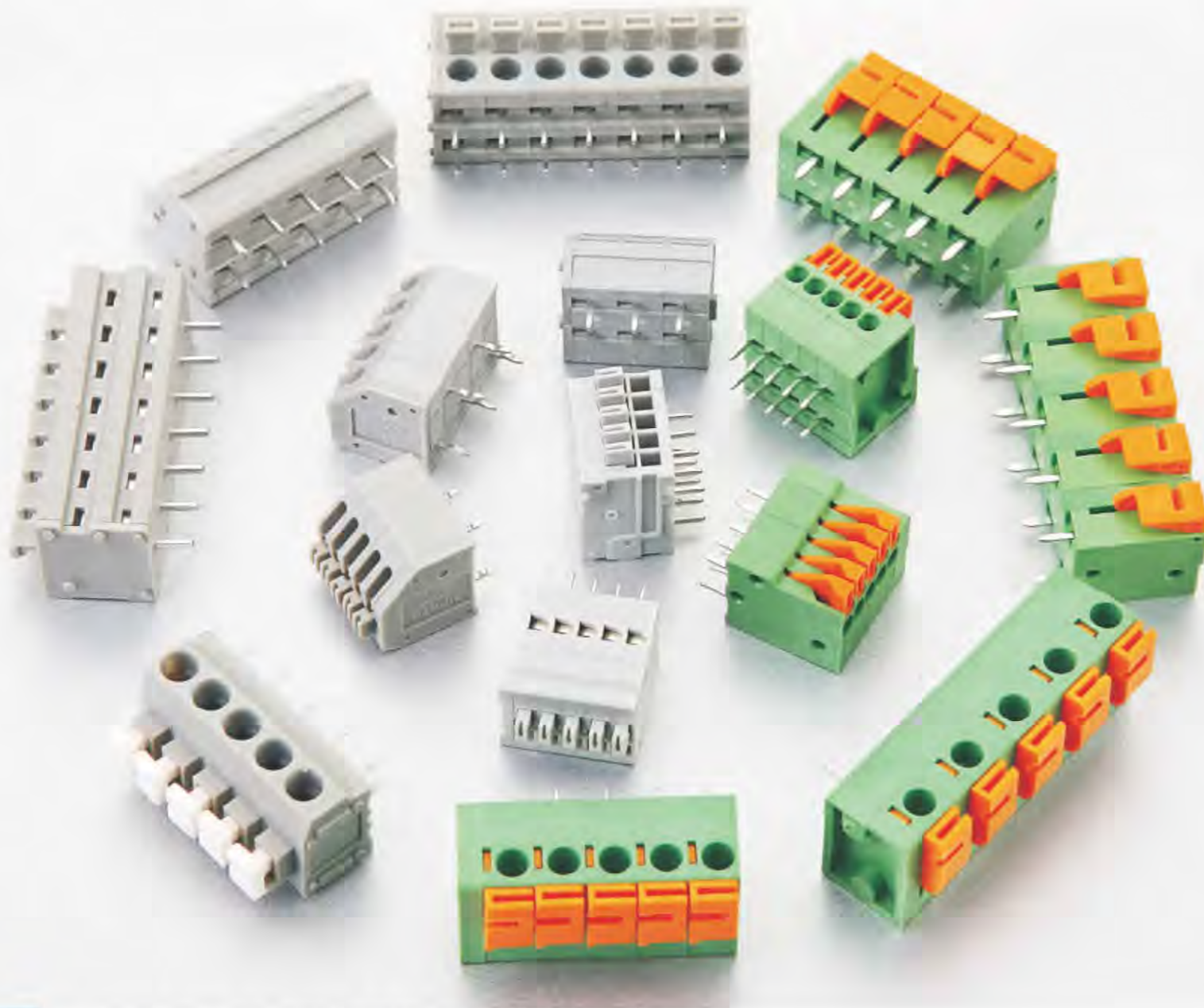
PCB Headers Plugs	WJ2EDGV	WJ2EDGVM	WJ2EDGV-	WJ2EDGV-	WJ2EDGVM-	WJ2EDGVM-	WJ2EDGV-	WJ2EDGVM-	WJ2EDGRR-	WJ2EDGRR-	WJ2EDGV-	WJ2EDGVM-	WJ2EDGV-	WJ2EDG	WJ2EDGVH			WJ2EDGVHB	WJ2EDGVHB	WJ2EDGJ	WJ2EDGL-	WJ2EDGLM-	WJ2EDGKD	WJ2EDGKD	WJ2EDGKD	WJ2EDGKD	WJ2EDGKR	WJ2EDGKR	WJ2EDGKR	WJ2EDGKR	WJ2EDGKR	WJ2EDGKR	WJ2EDGKR	WJ2CDGVC	WJ2CDGVM	WJ2CDGM		
	-3.81	-3.81	5.0/5.08	10.0/10.16	5.0/5.08	10.0/10.16	THT-5.0/5.08	THT-5.0/5.08	5.0/5.08	M-5.0/5.08	5.08	5.0/5.08	5.0/5.08	-5.0/5.08	LF-5.0	B-THR-5.0			M-THR-5.0	N-THR-5.0	-5.08	5.0/5.08	5.0/5.08	R-5.0/5.08	RM-5.0/5.08	RN-5.0/5.08	RG-5.0/5.08	-5.0/5.08	M-5.0/5.08	N-5.0/5.08	Z-5.0/5.08	ZM-5.0/5.08	-5.08	-5.08	-5.0/5.08			
	WJ2EDGR	WJ2EDGRM	WJ2EDGR-	WJ2EDGR-	WJ2EDGRM-	WJ2EDGRM-	WJ2EDGR-	WJ2EDGRM-	WJ2EDGRR-		WJ2EDGRG-	WJ2EDGRT-	WJ2EDGRH-	WJ2EDGRTM	WJ2EDGR	WJ2EDGRH			WJ2EDGRHB	WJ2EDGRHB	WJ2EDGJ	WJ2EDGLC-												WJ2CDGRC	WJ2CDGRM			
	-3.81	-3.81	5.0/5.08	10.0/10.16	5.0/5.08	10.0/10.16	THT-5.0/5.08	THT-5.0/5.08	C-5.0/5.08		5.08	5.0/5.08	5.0/5.08	-5.0/5.08	RF-5.0	B-THR-5.0			M-THR-5.0	N-THR-5.0	-4.0	5.0/5.08											WJ2CDB	WJ2CDB	WJ2CDB			
WJ2EDGRC		WJ2EDGRC-	WJ2EDGRC-			WJ2EDGRC-					WJ2EDGRC-		WJ2EDGRC-																				WJ2CDB	WJ2CDB	WJ2CDB			
-3.81		5.0/5.08	10.0/10.16			THT-5.0/5.08					-5.0/5.08		-5.0/5.08																			R/RC-5.08	RCM-5.08					
WJ2EDGKL-3.81	●																																					
WJ2EDGKM-3.81		●																																				
WJ2EDGK-5.0/5.08			●			●		●				●	●		●							●		●					●						●			
WJ2EDGK-10.0/10.16				●																																		
WJ2EDGKM-5.0/5.08					●			●																			●							●		●		
WJ2EDGKM-10.0/10.16						●																																
WJ2EDGKA-5.0/5.08			●				●		●				●	●								●		●					●									
WJ2EDGKAM-5.0/5.08					●			●		●				●									●		●				●									
WJ2EDGKB-5.0/5.08			●				●		●				●	●								●		●					●									
WJ2EDGKB-5.0/5.08			●				●		●				●	●								●		●					●									
WJ2EDGKB-5.0/5.08			●				●		●				●	●								●		●					●									
WJ2EDGKB-5.0/5.08			●				●		●				●	●								●		●					●									
WJ2EDGKB-5.0/5.08			●				●		●				●	●								●		●					●									
WJ2EDGKB-5.0/5.08			●				●		●				●	●								●		●					●									
WJ2EDGKB-5.0/5.08			●				●		●				●	●								●		●					●									
WJ2EDGKB-5.0/5.08			●				●		●				●	●								●		●					●									
WJ2EDGKB-5.0/5.08			●				●		●				●	●								●		●					●									
WJ2EDGKB-5.0/5.08			●				●		●				●	●								●		●					●									
WJ2EDGKB-5.0/5.08			●				●		●				●	●								●		●					●									
WJ2EDGKB-5.0/5.08			●				●		●				●	●								●		●					●									
WJ2EDGKB-5.0/5.08			●				●		●				●	●								●		●					●									
WJ2EDGKB-5.0/5.08			●				●		●				●	●								●		●					●									
WJ2EDGKB-5.0/5.08			●				●		●				●	●								●		●					●									
WJ2EDGKB-5.0/5.08			●				●		●				●	●								●		●					●									
WJ2EDGKB-5.0/5.08			●				●		●				●	●								●		●					●									
WJ2EDGKB-5.0/5.08			●				●		●				●	●								●		●					●									
WJ2EDGKB-5.0/5.08			●				●		●				●	●								●		●					●									
WJ2EDGKB-5.0/5.08			●				●		●				●	●								●		●					●									
WJ2EDGKB-5.0/5.08			●				●		●				●	●								●		●					●									
WJ2EDGKB-5.0/5.08			●				●		●				●	●								●		●					●									
WJ2EDGKB-5.0/5.08			●				●		●				●	●								●		●					●									
WJ2EDGKB-5.0/5.08			●				●		●				●	●								●		●					●									
WJ2EDGKB-5.0/5.08			●				●		●				●	●								●		●					●									
WJ2EDGKB-5.0/5.08			●				●		●				●	●								●		●					●									
WJ2EDGKB-5.0/5.08			●				●		●				●	●								●		●					●									
WJ2EDGKB-5.0/5.08			●				●		●				●	●								●		●					●									
WJ2EDGKB-5.0/5.08			●				●		●				●	●								●		●					●									
WJ2EDGKB-5.0/5.08			●				●		●				●	●								●		●					●									
WJ2EDGKB-5.0/5.08			●				●		●				●	●								●		●					●									
WJ2EDGKB-5.0/5.08			●				●		●				●	●								●		●					●									
WJ2EDGKB-5.0/5.08			●				●		●				●	●								●		●					●									
WJ2EDGKB-5.0/5.08			●				●		●				●	●								●		●					●									
WJ2EDGKB-5.0/5.08			●				●		●				●	●								●		●					●									
WJ2EDGKB-5.0/5.08			●				●		●				●	●								●		●					●									
WJ2EDGKB-5.0/5.08			●				●		●				●	●								●		●					●									
WJ2EDGKB-5.0/5.08			●				●		●				●	●								●		●					●									
WJ2EDGKB-5.0/5.08			●				●		●				●	●								●		●					●									
WJ2EDGKB-5.0/5.08			●				●		●				●	●								●		●					●									
WJ2EDGKB-5.0/5.08			●				●		●				●	●								●		●					●									
WJ2EDGKB-5.0/5.08			●				●		●				●	●								●		●					●									
WJ2EDGKB-5.0/5.08			●				●		●				●	●								●		●					●									
WJ2EDGKB-5.0/5.08			●				●		●				●	●								●		●					●									
WJ2EDGKB-5.0/5.08			●				●		●				●	●								●		●					●									
W																																						

插拔式产品互配选型参考表 Plug-in Type Product Matched Reference Table

PCB Headers	WJ9RC-5.0	WJ9RC-7.5											
	Plugs												
WJ9KS-5.0	●												
WJ9KS-7.5		●											

PCB Headers	WJ3EDG VC-7.62	WJ3EDG VM-7.62	WJ3CDG M-7.62	WJ3EDG VH-7.62	WJ3EDG VHM-7.62	WJ3EDG VC-10.16	WJ3EDG VM-10.16	WJ3EDG KRP-7.62	WJ3EDG KR-7.62	WJ3EDG KRN-7.62				
	Plugs	WJ3EDG RC-7.62	WJ3EDG RM-7.62		WJ3EDG RH-7.62	WJ3EDG RHM-7.62	WJ3EDG RC-10.16	WJ3EDG RM-10.16						
		WJ3EDG VZM-7.62		WJ3EDG RRH-7.62	WJ3EDG RRHM-7.62	WJ3EDG RRC-10.16	WJ3EDG RRM-10.16							
		WJ3EDG RZM-7.62												
WJ3EDGK-7.62	●		●											
WJ3EDGKM-7.62		●						●						
WJ3EDGKH-7.62				●					●					
WJ3EDGKHM-7.62					●			●		●				
WJ3EDGK-10.16						●								
WJ3EDGKM-10.16							●							
WJ3EDGB-7.62				●					●					
WJ3EDGA-7.62				●					●					
WJ3EDGKV-7.62				●										
WJ3EDGKVM-7.62					●									

PCB Headers	WJ2EDGV-7.57.62	WJ2EDGVM-7.57.62	WJ2EDGVG-7.57.62	WJ2EDGKR-7.62	WJ2EDGKR M-7.62	WJ2EDGKR N-7.62								
	Plugs	WJ2EDGR-7.57.62	WJ2EDGRM-7.57.62	WJ2EDGRG-7.57.62										
	WJ2EDGVC-7.57.62													
	WJ2EDGRC-7.57.62													
WJ2EDGK-7.57.62	●			●										
WJ2EDGKM-7.57.62		●				●								
WJ2EDGKA-7.57.62	●			●										
WJ2EDGKAM-7.57.62		●				●								
WJ2EDGKB-7.57.62	●			●										
WJ2EDGKBM-7.57.62		●				●								
WJ2EDGKC-7.62	●			●										
WJ2EDGKCM-7.62		●				●								
WJ2EDGKD-7.57.62	●			●										
WJ2EDGKDM-7.57.62		●				●								
WJ2EDGKDG-7.57.62			●											
WJ2EDGA-7.62	●			●										
WJ2EDGAM-7.62					●									
WJ2EDGB-7.62	●			●										
WJ2EDGBM-7.62					●									



弹簧式PCB接线端子 PCB SPRING TERMINAL BLOCK

弹簧式PCB接线端子，接线方式分笼式弹簧连接和V形弹簧连接，可以连接截面为0.08mm²至16mm²的所有类型的导线，间距2.5mm至10.16mm可供选择，可以同螺钉连接PCB接线端子相互替代使用，增加了灵活性。产品设计符合IEC60998、UL1059、UL486E、CSA C22.2 No.158等国际标准。

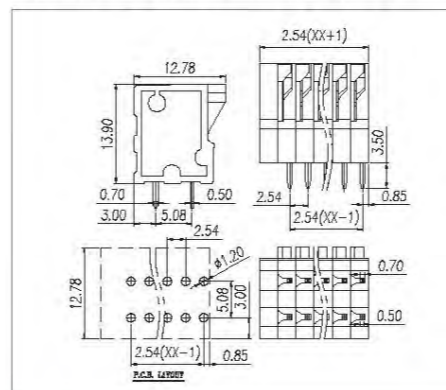
PCB Spring terminal blocks, available with two connection methods cage clamp contact and dish clamp contact. Provide the wire size from 0.08mm² to 16mm², Available with different pitches from 2.5mm to 10.16 mm. It can be used instead of printed circuit universal screw terminal blocks, more flexible. The product is designed in accordance with IEC 60998, UL1059, CSA C22.2 NO.158 standards.

ISO14001 ISO45001 ISO9001 ISO80079-34 ISO/TS 22163



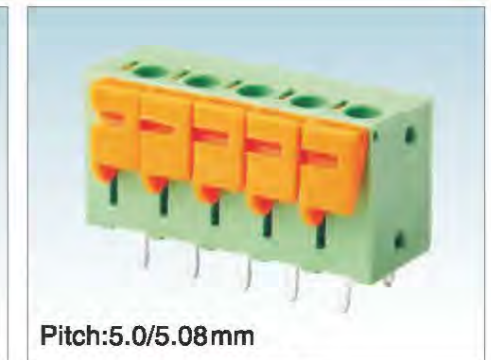
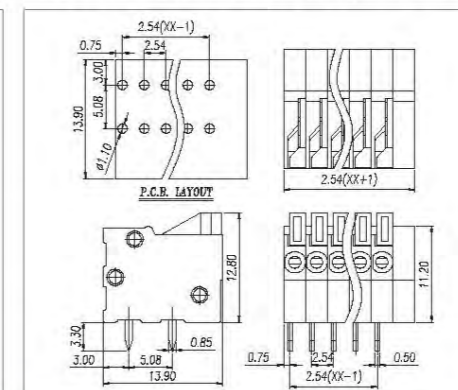
Pitch:2.54mm
WJ141V-2.54

UL/CUL 技术参数 UL/CUL Technical Data		.UL.		
等级	Use Group	B	C	D
额定电压	Rated Voltage [V]	150	-	-
额定电流	Rated Current [A]	4	-	-
接线范围 Wire Range	单芯线 Solid [AWG]	26~18		
	多芯线 Stranded [AWG]	26~18		
耐压	Dielectric Voltage-Withstand	1.3KV		
IEC 技术参数 IEC Technical Data				
过电压类别	Overvoltage Category	III	II	II
污染等级	Contamination Class	3	2	2
额定电压	Rated Voltage [V]	63	160	320
额定电流	Rated Current [A]	6	6	6
额定冲击电压	Impulse withstand voltage [KV]	2.5	2.5	2.5
导线截面积 Conductor cross section	硬质导线 Solid [mm ²]	0.2~0.5		
	柔性导线 Flexible [mm ²]	0.2~0.5		
材料 Material				
绝缘材料	Insulation Material	PA66		
阻燃等级	Flame retardant rating	UL94V-0		
导体材料	Conductor Material	Copper alloy		
导体表面镀层	Plating of conductor surface	Sn Plated		
一般参数 Other Data				
间距/极数	Pitch/Poles [mm]/[P]	2.54/1~30		
剥线长度	Stripping Length [mm]	11		
螺丝/扭矩	Screw/Torque(Max) [N.m]	/		
工作温度	Operating temperature [°C]	-40~+105		
焊锡温度	Soldering temperature	260°C/5S		
引针尺寸	Pin dimensions [mm]	0.7*0.5		
PCB板孔径	PCB Hole Diameter [mm]	Ø1.2		



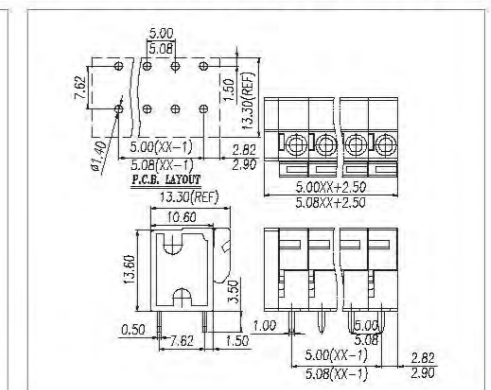
Pitch:2.54mm
WJ141R-2.54

UL/CUL 技术参数 UL/CUL Technical Data		.UL.		
等级	Use Group	B	C	D
额定电压	Rated Voltage [V]	150	-	-
额定电流	Rated Current [A]	4	-	-
接线范围 Wire Range	单芯线 Solid [AWG]	26~18		
	多芯线 Stranded [AWG]	26~18		
耐压	Dielectric Voltage-Withstand	1.3KV		
IEC 技术参数 IEC Technical Data				
过电压类别	Overvoltage Category	III	II	II
污染等级	Contamination Class	3	2	2
额定电压	Rated Voltage [V]	63	160	320
额定电流	Rated Current [A]	6	6	6
额定冲击电压	Impulse withstand voltage [KV]	2.5	2.5	2.5
导线截面积 Conductor cross section	硬质导线 Solid [mm ²]	0.2~0.5		
	柔性导线 Flexible [mm ²]	0.2~0.5		
材料 Material				
绝缘材料	Insulation Material	PA66		
阻燃等级	Flame retardant rating	UL94V-0		
导体材料	Conductor Material	Copper alloy		
导体表面镀层	Plating of conductor surface	Sn Plated		
一般参数 Other Data				
间距/极数	Pitch/Poles [mm]/[P]	2.54/1~30		
剥线长度	Stripping Length [mm]	11		
螺丝/扭矩	Screw/Torque(Max) [N.m]	/		
工作温度	Operating temperature [°C]	-40~+105		
焊锡温度	Soldering temperature	260°C/5S		
引针尺寸	Pin dimensions [mm]	0.8*0.5		
PCB板孔径	PCB Hole Diameter [mm]	Ø1.1		



Pitch:5.0/5.08mm
WJ142V-5.0/5.08

UL/CUL 技术参数 UL/CUL Technical Data		.UL.		
等级	Use Group	B	C	D
额定电压	Rated Voltage [V]	300	-	300
额定电流	Rated Current [A]	10	-	10
接线范围 Wire Range	单芯线 Solid [AWG]	24~14		
	多芯线 Stranded [AWG]	24~14		
耐压	Dielectric Voltage-Withstand	1.6KV		
IEC 技术参数 IEC Technical Data				
过电压类别	Overvoltage Category	III	II	II
污染等级	Contamination Class	3	2	2
额定电压	Rated Voltage [V]	320	320	630
额定电流	Rated Current [A]	15	15	15
额定冲击电压	Impulse withstand voltage [KV]	4	4	4
导线截面积 Conductor cross section	硬质导线 Solid [mm ²]	0.2~1.5		
	柔性导线 Flexible [mm ²]	0.2~1.5		
材料 Material				
绝缘材料	Insulation Material	PA66		
阻燃等级	Flame retardant rating	UL94V-0		
导体材料	Conductor Material	Copper alloy		
导体表面镀层	Plating of conductor surface	Sn plated		
一般参数 Other Data				
间距/极数	Pitch/Poles [mm]/[P]	5.0,5.08/1~30		
剥线长度	Stripping Length [mm]	10		
螺丝/扭矩	Screw/Torque(Max) [N.m]	/		
工作温度	Operating temperature [°C]	-40~+105		
焊锡温度	Soldering temperature	260°C/5S		
引针尺寸	Pin dimensions [mm]	1.0*0.5		
PCB板孔径	PCB Hole Diameter [mm]	Ø1.4		





Pitch:5.0/5.08mm



Pitch:7.5/7.62mm



Pitch:7.5/7.62mm



Pitch:2.5mm



Pitch:2.54mm



Pitch:2.5mm

WJ142R-5.0/5.08

WJ142V-7.5/7.62

WJ142R-7.5/7.62

WJ211V-2.5

WJ211V-2.54

WJ211R-2.5

UL/CUL 技术参数
UL/CUL Technical Data

等级	Use Group	B	C	D
额定电压	Rated Voltage [V]	300	-	300
额定电流	Rated Current [A]	10	-	10
接线范围 Wire Range	单芯线 Solid [AWG]	24~14		
	多芯线 Stranded [AWG]	24~14		
耐电压	Dielectric Voltage-Withstand	1.6KV		

IEC 技术参数
IEC Technical Data

过电压类别	Overvoltage Category	III	II	I
污染等级	Contamination Class	3	2	2
额定电压	Rated Voltage [V]	320	320	630
额定电流	Rated Current [A]	15	15	15
额定冲击电压	Impulse withstand voltage [KV]	4	4	4

导线截面积 Conductor cross section	硬质导线 Solid [mm²]	0.2~1.5
	柔性导线 Flexible [mm²]	0.2~1.5

材料 Material

绝缘材料	Insulation Material	PA66
阻燃等级	Flame retardant rating	UL94V-0
导体材料	Conductor Material	Copper alloy
导体表面镀层	Plating of conductor surface	Sn plated

一般参数 Other Data

间距/极数	Pitch/Poles [mm]/[P]	5.0,5.08/1~30
剥线长度	Stripping Length [mm]	10~11
螺丝/扭矩	Screw/Torque(Max) [N.m]	/
工作温度	Operating temperature [°C]	-40~+105
焊锡温度	Soldering temperature	260°C/5S
引针尺寸	Pin dimensions [mm]	1.0*0.5
PCB板孔径	PCB Hole Diameter [mm]	Ø1.4

UL/CUL 技术参数
UL/CUL Technical Data

等级	Use Group	B	C	D
额定电压	Rated Voltage [V]	300	-	300
额定电流	Rated Current [A]	10	-	10
接线范围 Wire Range	单芯线 Solid [AWG]	24~14		
	多芯线 Stranded [AWG]	24~14		
耐电压	Dielectric Voltage-Withstand	1.6KV		

IEC 技术参数
IEC Technical Data

过电压类别	Overvoltage Category	III	II	I
污染等级	Contamination Class	3	2	2
额定电压	Rated Voltage [V]	500	630	1000
额定电流	Rated Current [A]	15	15	15
额定冲击电压	Impulse withstand voltage [KV]	6	6	6

导线截面积 Conductor cross section	硬质导线 Solid [mm²]	0.2~1.5
	柔性导线 Flexible [mm²]	0.2~1.5

材料 Material

绝缘材料	Insulation Material	PA66
阻燃等级	Flame retardant rating	UL94V-0
导体材料	Conductor Material	Copper alloy
导体表面镀层	Plating of conductor surface	Sn plated

一般参数 Other Data

间距/极数	Pitch/Poles [mm]/[P]	7.5,7.62/2~24
剥线长度	Stripping Length [mm]	10
螺丝/扭矩	Screw/Torque(Max) [N.m]	/
工作温度	Operating temperature [°C]	-40~+105
焊锡温度	Soldering temperature	260°C/5S
引针尺寸	Pin dimensions [mm]	1.0*0.5
PCB板孔径	PCB Hole Diameter [mm]	Ø1.4

UL/CUL 技术参数
UL/CUL Technical Data

等级	Use Group	B	C	D
额定电压	Rated Voltage [V]	300	-	300
额定电流	Rated Current [A]	10	-	10
接线范围 Wire Range	单芯线 Solid [AWG]	24~14		
	多芯线 Stranded [AWG]	24~14		
耐电压	Dielectric Voltage-Withstand	1.6KV		

IEC 技术参数
IEC Technical Data

过电压类别	Overvoltage Category	III	II	I
污染等级	Contamination Class	3	2	2
额定电压	Rated Voltage [V]	500	630	1000
额定电流	Rated Current [A]	15	15	15
额定冲击电压	Impulse withstand voltage [KV]	6	6	6

导线截面积 Conductor cross section	硬质导线 Solid [mm²]	0.2~1.5
	柔性导线 Flexible [mm²]	0.2~1.5

材料 Material

绝缘材料	Insulation Material	PA66
阻燃等级	Flame retardant rating	UL94V-0
导体材料	Conductor Material	Copper alloy
导体表面镀层	Plating of conductor surface	Sn plated

一般参数 Other Data

间距/极数	Pitch/Poles [mm]/[P]	7.5,7.62/2~24
剥线长度	Stripping Length [mm]	10~11
螺丝/扭矩	Screw/Torque(Max) [N.m]	/
工作温度	Operating temperature [°C]	-40~+105
焊锡温度	Soldering temperature	260°C/5S
引针尺寸	Pin dimensions [mm]	1.0*0.5
PCB板孔径	PCB Hole Diameter [mm]	Ø1.4

UL/CUL 技术参数
UL/CUL Technical Data

等级	Use Group	B	C	D
额定电压	Rated Voltage [V]	150	-	-
额定电流	Rated Current [A]	5	-	-
接线范围 Wire Range	单芯线 Solid [AWG]	26~18		
	多芯线 Stranded [AWG]	26~18		
耐电压	Dielectric Voltage-Withstand	1.3KV		

IEC 技术参数
IEC Technical Data

过电压类别	Overvoltage Category	III	II	I
污染等级	Contamination Class	3	2	2
额定电压	Rated Voltage [V]	63	160	320
额定电流	Rated Current [A]	6	6	6
额定冲击电压	Impulse withstand voltage [KV]	2.5	2.5	2.5

导线截面积 Conductor cross section	硬质导线 Solid [mm²]	0.2~0.5
	柔性导线 Flexible [mm²]	0.2~0.5

材料 Material

绝缘材料	Insulation Material	PA66
阻燃等级	Flame retardant rating	UL94V-0
导体材料	Conductor Material	Copper alloy
导体表面镀层	Plating of conductor surface	Sn Plated

一般参数 Other Data

间距/极数	Pitch/Poles [mm]/[P]	2.5/1~30
剥线长度	Stripping Length [mm]	11
螺丝/扭矩	Screw/Torque(Max) [N.m]	/
工作温度	Operating temperature [°C]	-40~+105
焊锡温度	Soldering temperature	260°C/5S
引针尺寸	Pin dimensions [mm]	0.7*0.4
PCB板孔径	PCB Hole Diameter [mm]	Ø1.0

UL/CUL 技术参数
UL/CUL Technical Data

等级	Use Group	B	C	D
额定电压	Rated Voltage [V]	150	-	-
额定电流	Rated Current [A]	5	-	-
接线范围 Wire Range	单芯线 Solid [AWG]	26~18		
	多芯线 Stranded [AWG]	26~18		
耐电压	Dielectric Voltage-Withstand	1.3KV		

IEC 技术参数
IEC Technical Data

过电压类别	Overvoltage Category	III	II	I
污染等级	Contamination Class	3	2	2
额定电压	Rated Voltage [V]	63	160	320
额定电流	Rated Current [A]	6	6	6
额定冲击电压	Impulse withstand voltage [KV]	2.5	2.5	2.5

导线截面积 Conductor cross section	硬质导线 Solid [mm²]	0.2~0.5
	柔性导线 Flexible [mm²]	0.2~0.5

材料 Material

绝缘材料	Insulation Material	PA66
阻燃等级	Flame retardant rating	UL94V-0
导体材料	Conductor Material	Copper alloy
导体表面镀层	Plating of conductor surface	Sn plated

一般参数 Other Data

间距/极数	Pitch/Poles [mm]/[P]	2.54/1~30
剥线长度	Stripping Length [mm]	11
螺丝/扭矩	Screw/Torque(Max) [N.m]	/
工作温度	Operating temperature [°C]	-40~+105
焊锡温度	Soldering temperature	260°C/5S
引针尺寸	Pin dimensions [mm]	0.7*0.4
PCB板孔径	PCB Hole Diameter [mm]	Ø1.0

UL/CUL 技术参数
UL/CUL Technical Data

等级	Use Group	B	C	D
额定电压	Rated Voltage [V]	150	-	-
额定电流	Rated Current [A]	5	-	-
接线范围 Wire Range	单芯线 Solid [AWG]	26~18		
	多芯线 Stranded [AWG]	26~18		
耐电压	Dielectric Voltage-Withstand	1.3KV		

IEC 技术参数
IEC Technical Data

过电压类别	Overvoltage Category	III	II	I
污染等级	Contamination Class	3	2	2
额定电压	Rated Voltage [V]	63	160	320
额定电流	Rated Current [A]	6	6	6
额定冲击电压	Impulse withstand voltage [KV]	2.5	2.5	2.5

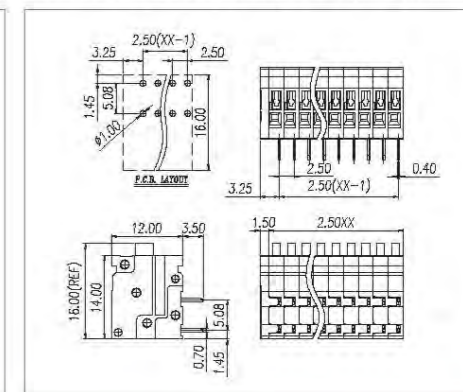
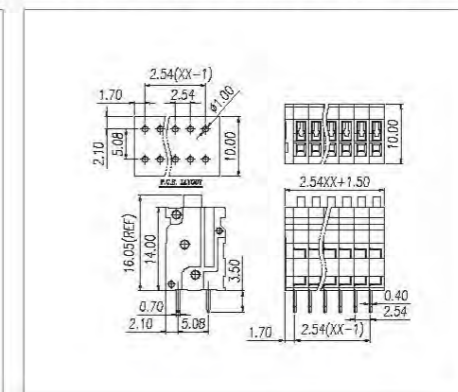
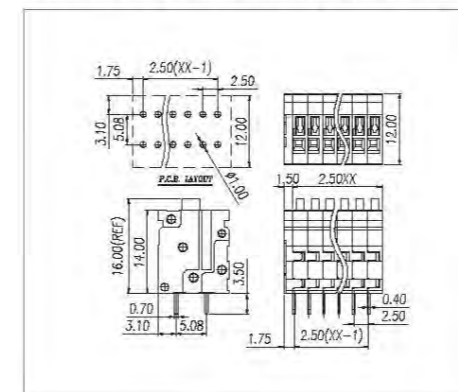
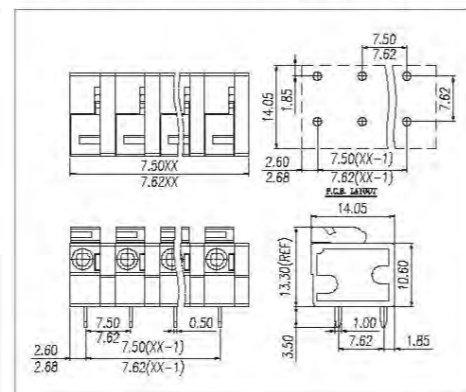
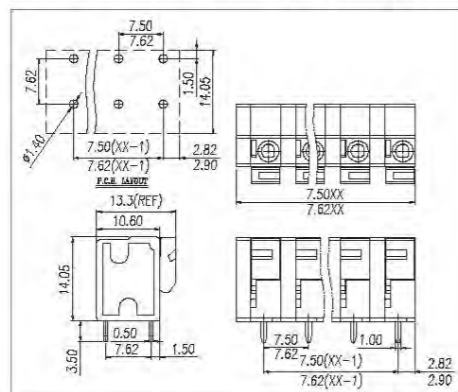
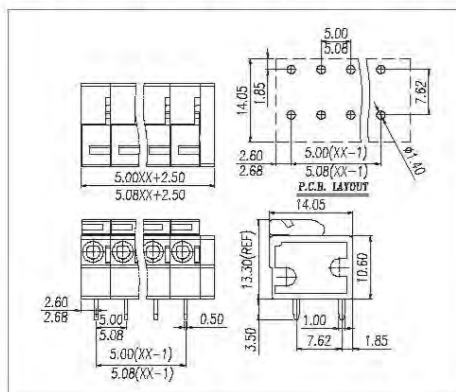
导线截面积 Conductor cross section	硬质导线 Solid [mm²]	0.2~0.5
	柔性导线 Flexible [mm²]	0.2~0.5

材料 Material

绝缘材料	Insulation Material	PA66
阻燃等级	Flame retardant rating	UL94V-0
导体材料	Conductor Material	Copper alloy
导体表面镀层	Plating of conductor surface	Sn plated

一般参数 Other Data

间距/极数	Pitch/Poles [mm]/[P]	2.5/1~30
剥线长度	Stripping Length [mm]	11
螺丝/扭矩	Screw/Torque(Max) [N.m]	/
工作温度	Operating temperature [°C]	-40~+105
焊锡温度	Soldering temperature	260°C/5S
引针尺寸	Pin dimensions [mm]	0.7*0.4
PCB板孔径	PCB Hole Diameter [mm]	Ø1.0





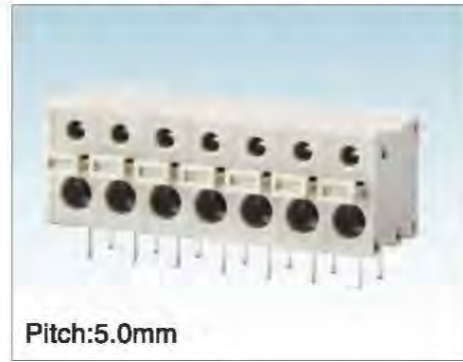
Pitch:2.54mm

WJ211R-2.54



Pitch:5.0mm

WJ211V-5.0



Pitch:5.0mm

WJ211R-5.0



Pitch:3.5mm

WJ212S-THR-3.5



Pitch:5.0mm

WJ212S-THR-5.0



Pitch:3.5/3.81mm

WJ212V-THR-3.5/3.81

UL/CUL 技术参数 UL/CUL Technical Data		UL/CUL Technical Data		
等级 Use Group	B C D	B	C	D
额定电压 Rated Voltage [V]	150 - -			
额定电流 Rated Current [A]	5 - -			
接线范围 Wire Range	单芯线 Solid [AWG]	26~18		
	多芯线 Stranded [AWG]	26~18		
耐电压 Dielectric Voltage-Withstand	1.3KV			
IEC 技术参数 IEC Technical Data		IEC Technical Data		
过电压类别 Overvoltage Category	III IIII IIII			
污染等级 Contamination Class	3 2 2			
额定电压 Rated Voltage [V]	63 160 320			
额定电流 Rated Current [A]	6 6 6			
额定冲击电压 Impulse withstand voltage [KV]	2.5 2.5 2.5			
导线截面积 Conductor cross section	硬质导线 Solid [mm ²]	0.2~0.5		
	柔性导线 Flexible [mm ²]	0.2~0.5		
材料 Material		Material		
绝缘材料 Insulation Material	PA66			
阻燃等级 Flame retardant rating	UL94V-0			
导体材料 Conductor Material	Copper alloy			
导体表面镀层 Plating of conductor surface	Sn plated			
一般参数 Other Data		Other Data		
间距/极数 Pitch/Poles [mm]/[P]	2.54/1~30			
剥线长度 Stripping Length [mm]	11			
螺丝/扭矩 Screw/Torque(Max) [N.m]	/			
工作温度 Operating temperature [°C]	-40~+105			
焊锡温度 Soldering temperature	260°C/5S			
引针尺寸 Pin dimensions [mm]	0.7*0.4			
PCB板孔径 PCB Hole Diameter [mm]	Ø1.0			

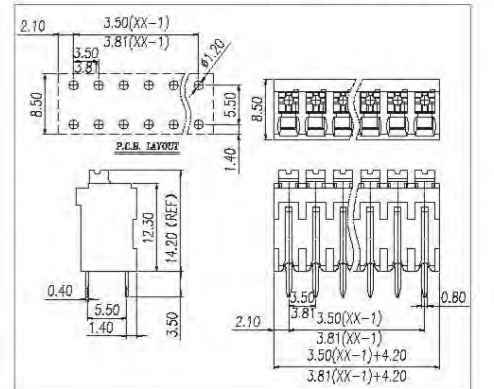
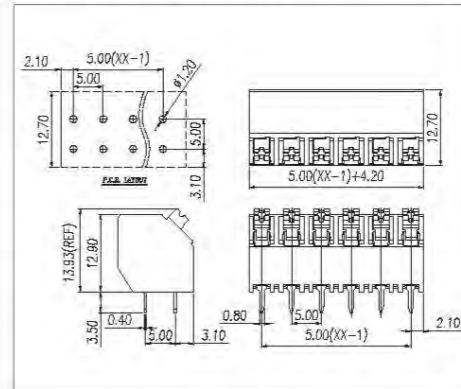
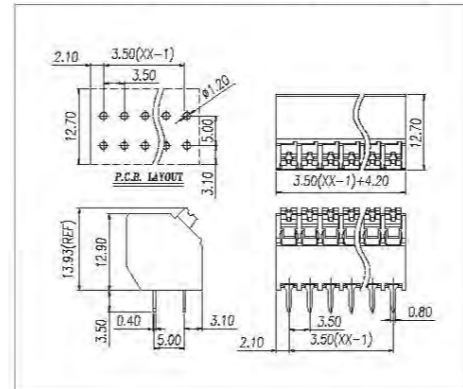
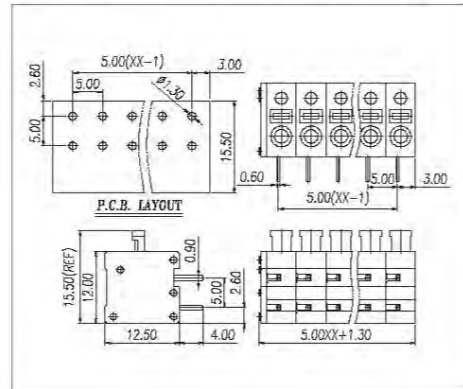
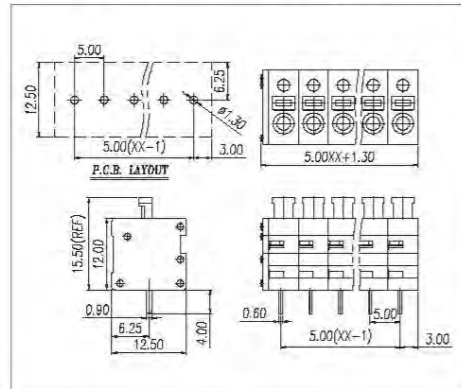
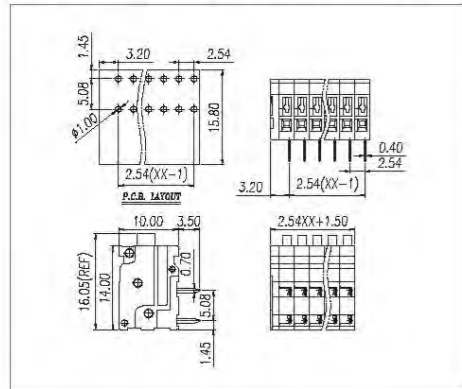
UL/CUL 技术参数 UL/CUL Technical Data		UL/CUL Technical Data		
等级 Use Group	B C D	B	C	D
额定电压 Rated Voltage [V]	300 - -			
额定电流 Rated Current [A]	10 - -			
接线范围 Wire Range	单芯线 Solid [AWG]	26~14		
	多芯线 Stranded [AWG]	26~14		
耐电压 Dielectric Voltage-Withstand	1.6KV			
IEC 技术参数 IEC Technical Data		IEC Technical Data		
过电压类别 Overvoltage Category	III IIII IIII			
污染等级 Contamination Class	3 2 2			
额定电压 Rated Voltage [V]	320 320 630			
额定电流 Rated Current [A]	17.5 17.5 17.5			
额定冲击电压 Impulse withstand voltage [KV]	4 4 4			
导线截面积 Conductor cross section	硬质导线 Solid [mm ²]	0.2~1.5		
	柔性导线 Flexible [mm ²]	0.2~1.5		
材料 Material		Material		
绝缘材料 Insulation Material	PA66			
阻燃等级 Flame retardant rating	UL94V-0			
导体材料 Conductor Material	Copper alloy			
导体表面镀层 Plating of conductor surface	Sn plated			
一般参数 Other Data		Other Data		
间距/极数 Pitch/Poles [mm]/[P]	5.0/1~30			
剥线长度 Stripping Length [mm]	8			
螺丝/扭矩 Screw/Torque(Max) [N.m]	/			
工作温度 Operating temperature [°C]	-40~+105			
焊锡温度 Soldering temperature	260°C/5S			
引针尺寸 Pin dimensions [mm]	0.9*0.6			
PCB板孔径 PCB Hole Diameter [mm]	Ø1.3			

UL/CUL 技术参数 UL/CUL Technical Data		UL/CUL Technical Data		
等级 Use Group	B C D	B	C	D
额定电压 Rated Voltage [V]	300 - -			
额定电流 Rated Current [A]	10 - -			
接线范围 Wire Range	单芯线 Solid [AWG]	26~14		
	多芯线 Stranded [AWG]	26~14		
耐电压 Dielectric Voltage-Withstand	1.6KV			
IEC 技术参数 IEC Technical Data		IEC Technical Data		
过电压类别 Overvoltage Category	III IIII IIII			
污染等级 Contamination Class	3 2 2			
额定电压 Rated Voltage [V]	320 320 630			
额定电流 Rated Current [A]	17.5 17.5 17.5			
额定冲击电压 Impulse withstand voltage [KV]	4 4 4			
导线截面积 Conductor cross section	硬质导线 Solid [mm ²]	0.2~1.5		
	柔性导线 Flexible [mm ²]	0.2~1.5		
材料 Material		Material		
绝缘材料 Insulation Material	PA66			
阻燃等级 Flame retardant rating	UL94V-0			
导体材料 Conductor Material	Copper alloy			
导体表面镀层 Plating of conductor surface	Sn plated			
一般参数 Other Data		Other Data		
间距/极数 Pitch/Poles [mm]/[P]	5.0/1~30			
剥线长度 Stripping Length [mm]	8			
螺丝/扭矩 Screw/Torque(Max) [N.m]	/			
工作温度 Operating temperature [°C]	-40~+105			
焊锡温度 Soldering temperature	260°C/5S			
引针尺寸 Pin dimensions [mm]	0.9*0.6			
PCB板孔径 PCB Hole Diameter [mm]	Ø1.3			

UL/CUL 技术参数 UL/CUL Technical Data		UL/CUL Technical Data		
等级 Use Group	B C D	B	C	D
额定电压 Rated Voltage [V]	300 - 300			
额定电流 Rated Current [A]	10 - 10			
接线范围 Wire Range	单芯线 Solid [AWG]	24~16		
	多芯线 Stranded [AWG]	24~16		
耐电压 Dielectric Voltage-Withstand	1.6KV			
IEC 技术参数 IEC Technical Data		IEC Technical Data		
过电压类别 Overvoltage Category	III IIII IIII			
污染等级 Contamination Class	3 2 2			
额定电压 Rated Voltage [V]	160 160 320			
额定电流 Rated Current [A]	17.5 17.5 17.5			
额定冲击电压 Impulse withstand voltage [KV]	2.5 2.5 2.5			
导线截面积 Conductor cross section	硬质导线 Solid [mm ²]	0.2~1.5		
	柔性导线 Flexible [mm ²]	0.2~1.5		
材料 Material		Material		
绝缘材料 Insulation Material	LCP			
阻燃等级 Flame retardant rating	UL94V-0			
导体材料 Conductor Material	Copper alloy			
导体表面镀层 Plating of conductor surface	Sn Plated			
一般参数 Other Data		Other Data		
间距/极数 Pitch/Poles [mm]/[P]	3.5/2~24			
剥线长度 Stripping Length [mm]	7~8			
螺丝/扭矩 Screw/Torque(Max) [N.m]	/			
工作温度 Operating temperature [°C]	-40~+130			
焊锡温度 Soldering temperature	285°C/10S			
引针尺寸 Pin dimensions [mm]	0.8*0.4			
PCB板孔径 PCB Hole Diameter [mm]	Ø1.2			

UL/CUL 技术参数 UL/CUL Technical Data		UL/CUL Technical Data		
等级 Use Group	B C D	B	C	D
额定电压 Rated Voltage [V]	300 - 300			
额定电流 Rated Current [A]	10 - 10			
接线范围 Wire Range	单芯线 Solid [AWG]	24~16		
	多芯线 Stranded [AWG]	24~16		
耐电压 Dielectric Voltage-Withstand	1.6KV			
IEC 技术参数 IEC Technical Data		IEC Technical Data		
过电压类别 Overvoltage Category	III IIII IIII			
污染等级 Contamination Class	3 2 2			
额定电压 Rated Voltage [V]	250 320 500			
额定电流 Rated Current [A]	17.5 17.5 17.5			
额定冲击电压 Impulse withstand voltage [KV]	4 4 4			
导线截面积 Conductor cross section	硬质导线 Solid [mm ²]	0.2~1.5		
	柔性导线 Flexible [mm ²]	0.2~1.5		
材料 Material		Material		
绝缘材料 Insulation Material	LCP			
阻燃等级 Flame retardant rating	UL94V-0			
导体材料 Conductor Material	Copper alloy			
导体表面镀层 Plating of conductor surface	Sn plated			
一般参数 Other Data		Other Data		
间距/极数 Pitch/Poles [mm]/[P]	5.0/2~24			
剥线长度 Stripping Length [mm]	7~8			
螺丝/扭矩 Screw/Torque(Max) [N.m]	/			
工作温度 Operating temperature [°C]	-40~+130			
焊锡温度 Soldering temperature	285°C/10S			
引针尺寸 Pin dimensions [mm]	0.8*0.4			
PCB板孔径 PCB Hole Diameter [mm]	Ø1.2			

UL/CUL 技术参数 UL/CUL Technical Data		UL/CUL Technical Data		
等级 Use Group	B C D	B	C	D
额定电压 Rated Voltage [V]	300 - 300			
额定电流 Rated Current [A]	10 - 10			
接线范围 Wire Range	单芯线 Solid [AWG]	24~16		
	多芯线 Stranded [AWG]	24~16		
耐电压 Dielectric Voltage-Withstand	1.6KV			
IEC 技术参数 IEC Technical Data		IEC Technical Data		
过电压类别 Overvoltage Category	III IIII IIII			
污染等级 Contamination Class	3 2 2			
额定电压 Rated Voltage [V]	160 160 320			
额定电流 Rated Current [A]	17.5 17.5 17.5			
额定冲击电压 Impulse withstand voltage [KV]	2.5 2.5 2.5			
导线截面积 Conductor cross section	硬质导线 Solid [mm ²]	0.2~1.5		
	柔性导线 Flexible [mm ²]	0.2~1.5		
材料 Material		Material		
绝缘材料 Insulation Material	LCP			
阻燃等级 Flame retardant rating	UL94V-0			
导体材料 Conductor Material	Copper alloy			
导体表面镀层 Plating of conductor surface	Sn plated			
一般参数 Other Data		Other Data		
间距/极数 Pitch/Poles [mm]/[P]	3.5, 3.81/2~24			
剥线长度 Stripping Length [mm]	7~8			
螺丝/扭矩 Screw/Torque(Max) [N.m]	/			
工作温度 Operating temperature [°C]	-40~+130			
焊锡温度 Soldering temperature	285°C/10S			
引针尺寸 Pin dimensions [mm]	0.8*0.4			
PCB板孔径 PCB Hole Diameter [mm]	Ø1.2			

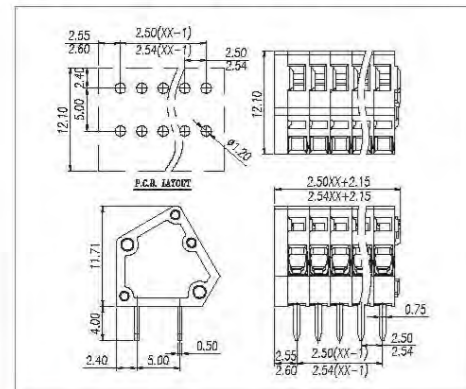




Pitch: 2.5/2.54mm

WJ213B-2.5/2.54

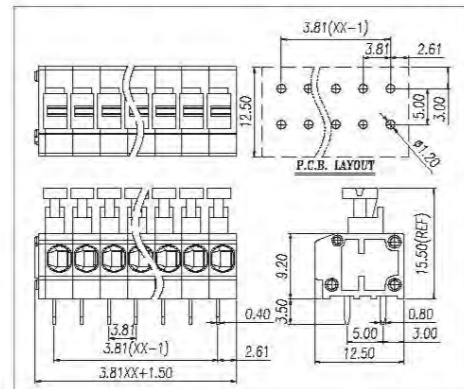
UL/CUL 技术参数		UL/CUL Technical Data		UL/CUL 技术参数	
等级	Use Group	B	C	D	
额定电压	Rated Voltage [V]	150	-	-	
额定电流	Rated Current [A]	4	-	-	
接线范围	单芯线 Solid [AWG]	28~20			
	多芯线 Stranded [AWG]	28~20			
耐电压	Dielectric Voltage-Withstand	1.3KV			
IEC 技术参数		IEC Technical Data		IEC 技术参数	
过电压类别	Overvoltage Category	II	III	II	
污染等级	Contamination Class	3	2	2	
额定电压	Rated Voltage [V]	63	160	320	
额定电流	Rated Current [A]	6	6	6	
额定冲击电压	Impulse withstand voltage [KV]	2.5	2.5	2.5	
导线截面积	硬质导线 Solid [mm ²]	0.2~0.5			
	柔性导线 Flexible [mm ²]	0.2~0.5			
材料 Material		PA66			
绝缘材料	Insulation Material	PA66			
阻燃等级	Flame retardant rating	UL94V-0			
导体材料	Conductor Material	Copper alloy			
导体表面镀层	Plating of conductor surface	Sn plated			
一般参数 Other Data		一般参数 Other Data		一般参数 Other Data	
间距/极数	Pitch/Poles [mm]/[P]	2.5, 2.54/1~30			
剥线长度	Stripping Length [mm]	5~6			
螺丝/扭矩	Screw/Torque(Max) [N.m]	/			
工作温度	Operating temperature [°C]	-40~+105			
焊锡温度	Soldering temperature	260°C/5S			
引针尺寸	Pin dimensions [mm]	0.75*0.5			
PCB板孔径	PCB Hole Diameter [mm]	Ø1.2			



Pitch: 3.81mm

WJ235A-3.81

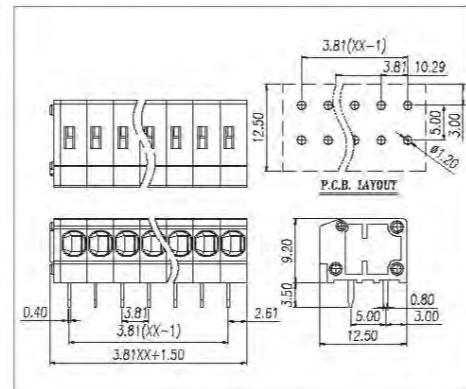
UL/CUL 技术参数		UL/CUL Technical Data		UL/CUL 技术参数	
等级	Use Group	B	C	D	
额定电压	Rated Voltage [V]	300	-	300	
额定电流	Rated Current [A]	5	-	5	
接线范围	单芯线 Solid [AWG]	22~18			
	多芯线 Stranded [AWG]	22~18			
耐电压	Dielectric Voltage-Withstand	1.6KV			
IEC 技术参数		IEC Technical Data		IEC 技术参数	
过电压类别	Overvoltage Category	III	III	II	
污染等级	Contamination Class	3	2	2	
额定电压	Rated Voltage [V]	200	320	500	
额定电流	Rated Current [A]	17.5	17.5	17.5	
额定冲击电压	Impulse withstand voltage [KV]	4	4	4	
导线截面积	硬质导线 Solid [mm ²]	0.5~1.5			
	柔性导线 Flexible [mm ²]	0.75~1.5			
材料 Material		PA66			
绝缘材料	Insulation Material	PA66			
阻燃等级	Flame retardant rating	UL94V-0			
导体材料	Conductor Material	Copper alloy			
导体表面镀层	Plating of conductor surface	Sn plated			
一般参数 Other Data		一般参数 Other Data		一般参数 Other Data	
间距/极数	Pitch/Poles [mm]/[P]	3.81/1~30			
剥线长度	Stripping Length [mm]	9~10			
螺丝/扭矩	Screw/Torque(Max) [N.m]	/			
工作温度	Operating temperature [°C]	-40~+105			
焊锡温度	Soldering temperature	260°C/5S			
引针尺寸	Pin dimensions [mm]	0.8*0.4			
PCB板孔径	PCB Hole Diameter [mm]	Ø1.2			



Pitch: 3.81mm

WJ235B-3.81

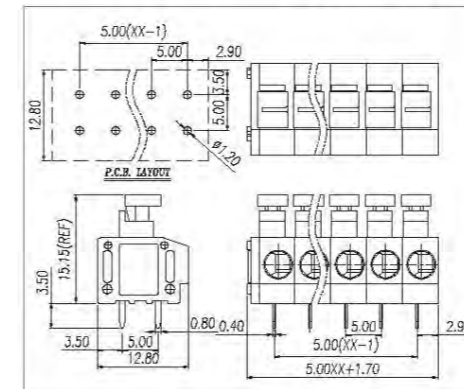
UL/CUL 技术参数		UL/CUL Technical Data		UL/CUL 技术参数	
等级	Use Group	B	C	D	
额定电压	Rated Voltage [V]	300	-	300	
额定电流	Rated Current [A]	5	-	5	
接线范围	单芯线 Solid [AWG]	22~18			
	多芯线 Stranded [AWG]	22~18			
耐电压	Dielectric Voltage-Withstand	1.6KV			
IEC 技术参数		IEC Technical Data		IEC 技术参数	
过电压类别	Overvoltage Category	III	III	II	
污染等级	Contamination Class	3	2	2	
额定电压	Rated Voltage [V]	200	320	500	
额定电流	Rated Current [A]	17.5	17.5	17.5	
额定冲击电压	Impulse withstand voltage [KV]	4	4	4	
导线截面积	硬质导线 Solid [mm ²]	0.5~1.5			
	柔性导线 Flexible [mm ²]	0.75~1.5			
材料 Material		PA66			
绝缘材料	Insulation Material	PA66			
阻燃等级	Flame retardant rating	UL94V-0			
导体材料	Conductor Material	Copper alloy			
导体表面镀层	Plating of conductor surface	Sn plated			
一般参数 Other Data		一般参数 Other Data		一般参数 Other Data	
间距/极数	Pitch/Poles [mm]/[P]	3.81/1~30			
剥线长度	Stripping Length [mm]	9~10			
螺丝/扭矩	Screw/Torque(Max) [N.m]	/			
工作温度	Operating temperature [°C]	-40~+105			
焊锡温度	Soldering temperature	260°C/5S			
引针尺寸	Pin dimensions [mm]	0.8*0.4			
PCB板孔径	PCB Hole Diameter [mm]	Ø1.2			



Pitch: 5.0mm

WJ235A-5.0

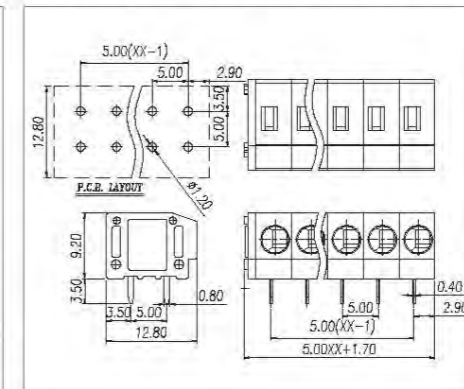
UL/CUL 技术参数		UL/CUL Technical Data		UL/CUL 技术参数	
等级	Use Group	B	C	D	
额定电压	Rated Voltage [V]	300	-	300	
额定电流	Rated Current [A]	5	-	5	
接线范围	单芯线 Solid [AWG]	22~18			
	多芯线 Stranded [AWG]	22~18			
耐电压	Dielectric Voltage-Withstand	1.6KV			
IEC 技术参数		IEC Technical Data		IEC 技术参数	
过电压类别	Overvoltage Category	III	III	II	
污染等级	Contamination Class	3	2	2	
额定电压	Rated Voltage [V]	250	320	630	
额定电流	Rated Current [A]	17.5	17.5	17.5	
额定冲击电压	Impulse withstand voltage [KV]	4	4	4	
导线截面积	硬质导线 Solid [mm ²]	0.5~1.5			
	柔性导线 Flexible [mm ²]	0.75~1.5			
材料 Material		PA66			
绝缘材料	Insulation Material	PA66			
阻燃等级	Flame retardant rating	UL94V-0			
导体材料	Conductor Material	Copper alloy			
导体表面镀层	Plating of conductor surface	Sn plated			
一般参数 Other Data		一般参数 Other Data		一般参数 Other Data	
间距/极数	Pitch/Poles [mm]/[P]	5.0/1~30			
剥线长度	Stripping Length [mm]	9~10			
螺丝/扭矩	Screw/Torque(Max) [N.m]	/			
工作温度	Operating temperature [°C]	-40~+105			
焊锡温度	Soldering temperature	260°C/5S			
引针尺寸	Pin dimensions [mm]	0.8*0.4			
PCB板孔径	PCB Hole Diameter [mm]	Ø1.2			



Pitch: 5.0mm

WJ235B-5.0

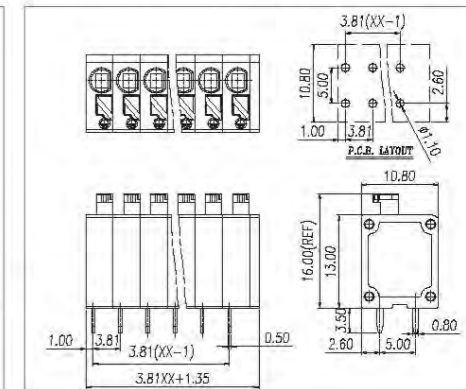
UL/CUL 技术参数		UL/CUL Technical Data		UL/CUL 技术参数	
等级	Use Group	B	C	D	
额定电压	Rated Voltage [V]	300	-	300	
额定电流	Rated Current [A]	5	-	5	
接线范围	单芯线 Solid [AWG]	22~18			
	多芯线 Stranded [AWG]	22~18			
耐电压	Dielectric Voltage-Withstand	1.6KV			
IEC 技术参数		IEC Technical Data		IEC 技术参数	
过电压类别	Overvoltage Category	III	III	II	
污染等级	Contamination Class	3	2	2	
额定电压	Rated Voltage [V]	250	320	630	
额定电流	Rated Current [A]	17.5	17.5	17.5	
额定冲击电压	Impulse withstand voltage [KV]	4	4	4	
导线截面积	硬质导线 Solid [mm ²]	0.5~1.5			
	柔性导线 Flexible [mm ²]	0.75~1.5			
材料 Material		PA66			
绝缘材料	Insulation Material	PA66			
阻燃等级	Flame retardant rating	UL94V-0			
导体材料	Conductor Material	Copper alloy			
导体表面镀层	Plating of conductor surface	Sn plated			
一般参数 Other Data		一般参数 Other Data		一般参数 Other Data	
间距/极数	Pitch/Poles [mm]/[P]	5.0/1~30			
剥线长度	Stripping Length [mm]	9~10			
螺丝/扭矩	Screw/Torque(Max) [N.m]	/			
工作温度	Operating temperature [°C]	-40~+105			
焊锡温度	Soldering temperature	260°C/5S			
引针尺寸	Pin dimensions [mm]	0.8*0.4			
PCB板孔径	PCB Hole Diameter [mm]	Ø1.2			



Pitch: 3.81mm

WJ236-3.81

UL/CUL 技术参数		UL/CUL Technical Data		UL/CUL 技术参数	
等级	Use Group	B	C	D	
额定电压	Rated Voltage [V]	300	-	300	
额定电流	Rated Current [A]	10	-	10	
接线范围	单芯线 Solid [AWG]	20~16			
	多芯线 Stranded [AWG]	20~16			
耐电压	Dielectric Voltage-Withstand	1.6KV			
IEC 技术参数		IEC Technical Data		IEC 技术参数	
过电压类别	Overvoltage Category	III	III	II	
污染等级	Contamination Class	3	2	2	
额定电压	Rated Voltage [V]	250	320	630	
额定电流	Rated Current [A]	10	10	10	
额定冲击电压	Impulse withstand voltage [KV]	4	4	4	
导线截面积	硬质导线 Solid [mm ²]	0.5~1.5			
	柔性导线 Flexible [mm ²]	0.5~1.5			
材料 Material		PA66			
绝缘材料	Insulation Material	PA66			
阻燃等级	Flame retardant rating	UL94V-0			
导体材料	Conductor Material	Copper alloy			
导体表面镀层	Plating of conductor surface	Sn plated			
一般参数 Other Data		一般参数 Other Data		一般参数 Other Data	
间距/极数	Pitch/Poles [mm]/[P]	3.81/1~24			
剥线长度	Stripping Length [mm]	8~9			
螺丝/扭矩	Screw/Torque(Max) [N.m]	/			
工作温度	Operating temperature [°C]	-40~+105			
焊锡温度	Soldering temperature	260°C/5S			
引针尺寸	Pin dimensions [mm]	0.8*0.5			
PCB板孔径	PCB Hole Diameter [mm]	Ø1.1			

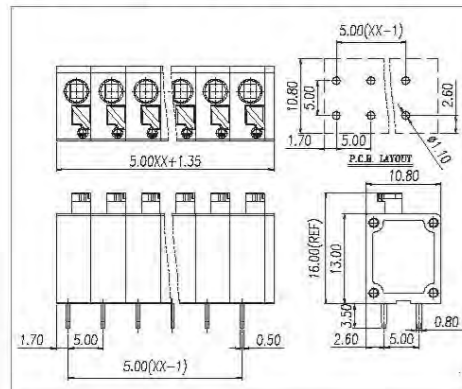




Pitch: 5.0mm

WJ236-5.0

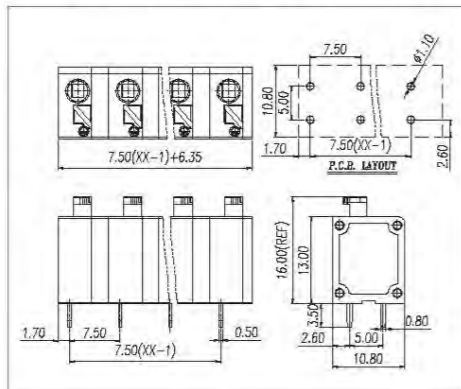
UL/CUL 技术参数 UL/CUL Technical Data		UL		
等级 Use Group	B C D			
额定电压 Rated Voltage [V]	300 - 300			
额定电流 Rated Current [A]	10 - 10			
接线范围 Wire Range	单芯线 Solid [AWG]	20~16		
	多芯线 Stranded [AWG]	20~16		
耐电压 Dielectric Voltage-Withstand	1.6KV			
IEC 技术参数 IEC Technical Data		IEC		
过电压类别 Overvoltage Category	II III II			
污染等级 Contamination Class	3 2 2			
额定电压 Rated Voltage [V]	320 320 630			
额定电流 Rated Current [A]	10 10 10			
额定冲击电压 Impulse withstand voltage [KV]	4 4 4			
导线截面积 Conductor cross section	硬质导线 Solid [mm ²]	0.5~1.5		
	柔性导线 Flexible [mm ²]	0.5~1.5		
材料 Material				
绝缘材料 Insulation Material	PA66			
阻燃等级 Flame retardant rating	UL94V-0			
导体材料 Conductor Material	Copper alloy			
导体表面镀层 Plating of conductor surface	Sn plated			
一般参数 Other Data				
间距/极数 Pitch/Poles [mm]/[P]	5.0/1~24			
剥线长度 Stripping Length [mm]	8~9			
螺丝/扭矩 Screw/Torque(Max) [N.m]	/			
工作温度 Operating temperature [°C]	-40~+105			
焊锡温度 Soldering temperature	260°C/5S			
引针尺寸 Pin dimensions [mm]	0.8*0.5			
PCB板孔径 PCB Hole Diameter [mm]	Ø1.1			



Pitch: 7.5mm

WJ236-7.5

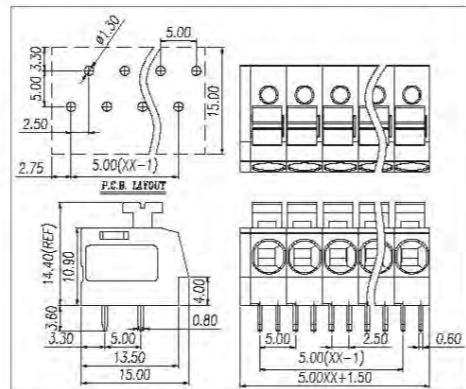
UL/CUL 技术参数 UL/CUL Technical Data		UL		
等级 Use Group	B C D			
额定电压 Rated Voltage [V]	300 - 300			
额定电流 Rated Current [A]	10 - 10			
接线范围 Wire Range	单芯线 Solid [AWG]	20~16		
	多芯线 Stranded [AWG]	20~16		
耐电压 Dielectric Voltage-Withstand	1.6KV			
IEC 技术参数 IEC Technical Data		IEC		
过电压类别 Overvoltage Category	II III II			
污染等级 Contamination Class	3 2 2			
额定电压 Rated Voltage [V]	320 320 630			
额定电流 Rated Current [A]	10 10 10			
额定冲击电压 Impulse withstand voltage [KV]	4 4 4			
导线截面积 Conductor cross section	硬质导线 Solid [mm ²]	0.5~1.5		
	柔性导线 Flexible [mm ²]	0.5~1.5		
材料 Material				
绝缘材料 Insulation Material	PA66			
阻燃等级 Flame retardant rating	UL94V-0			
导体材料 Conductor Material	Copper alloy			
导体表面镀层 Plating of conductor surface	Sn plated			
一般参数 Other Data				
间距/极数 Pitch/Poles [mm]/[P]	7.5/1~24			
剥线长度 Stripping Length [mm]	8~9			
螺丝/扭矩 Screw/Torque(Max) [N.m]	/			
工作温度 Operating temperature [°C]	-40~+105			
焊锡温度 Soldering temperature	260°C/5S			
引针尺寸 Pin dimensions [mm]	0.8*0.5			
PCB板孔径 PCB Hole Diameter [mm]	Ø1.1			



Pitch: 5.0mm

WJ237-5.0

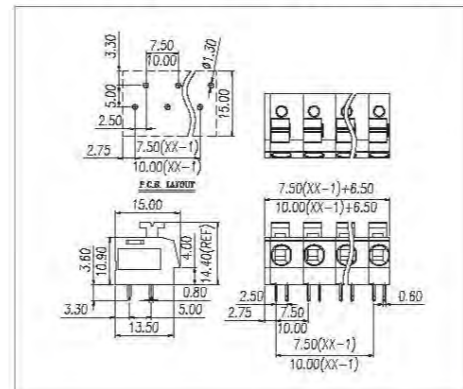
UL/CUL 技术参数 UL/CUL Technical Data		UL		
等级 Use Group	B C D			
额定电压 Rated Voltage [V]	300 - 300			
额定电流 Rated Current [A]	12 - 10			
接线范围 Wire Range	单芯线 Solid [AWG]	20~12		
	多芯线 Stranded [AWG]	20~12		
耐电压 Dielectric Voltage-Withstand	1.6KV			
IEC 技术参数 IEC Technical Data		IEC		
过电压类别 Overvoltage Category	II III II			
污染等级 Contamination Class	3 2 2			
额定电压 Rated Voltage [V]	250 320 630			
额定电流 Rated Current [A]	24 24 24			
额定冲击电压 Impulse withstand voltage [KV]	4 4 4			
导线截面积 Conductor cross section	硬质导线 Solid [mm ²]	0.25~2.5		
	柔性导线 Flexible [mm ²]	0.25~2.5		
材料 Material				
绝缘材料 Insulation Material	PA66			
阻燃等级 Flame retardant rating	UL94V-0			
导体材料 Conductor Material	Copper alloy			
导体表面镀层 Plating of conductor surface	Sn plated			
一般参数 Other Data				
间距/极数 Pitch/Poles [mm]/[P]	5.0/1~30			
剥线长度 Stripping Length [mm]	10~11			
螺丝/扭矩 Screw/Torque(Max) [N.m]	/			
工作温度 Operating temperature [°C]	-40~+105			
焊锡温度 Soldering temperature	260°C/5S			
引针尺寸 Pin dimensions [mm]	0.8*0.6			
PCB板孔径 PCB Hole Diameter [mm]	Ø1.3			



Pitch: 7.5/10.0mm

WJ237-7.5/10.0

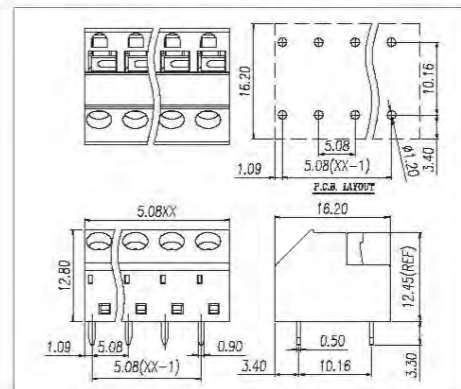
UL/CUL 技术参数 UL/CUL Technical Data		UL		
等级 Use Group	B C D			
额定电压 Rated Voltage [V]	300 - 300			
额定电流 Rated Current [A]	12 - 10			
接线范围 Wire Range	单芯线 Solid [AWG]	20~12		
	多芯线 Stranded [AWG]	20~12		
耐电压 Dielectric Voltage-Withstand	1.6KV			
IEC 技术参数 IEC Technical Data		IEC		
过电压类别 Overvoltage Category	II III II			
污染等级 Contamination Class	3 2 2			
额定电压 Rated Voltage [V]	320 320 630			
额定电流 Rated Current [A]	24 24 24			
额定冲击电压 Impulse withstand voltage [KV]	4 4 4			
导线截面积 Conductor cross section	硬质导线 Solid [mm ²]	0.25~2.5		
	柔性导线 Flexible [mm ²]	0.25~2.5		
材料 Material				
绝缘材料 Insulation Material	PA66			
阻燃等级 Flame retardant rating	UL94V-0			
导体材料 Conductor Material	Copper alloy			
导体表面镀层 Plating of conductor surface	Sn plated			
一般参数 Other Data				
间距/极数 Pitch/Poles [mm]/[P]	7.5, 10.0/2~18			
剥线长度 Stripping Length [mm]	10~11			
螺丝/扭矩 Screw/Torque(Max) [N.m]	/			
工作温度 Operating temperature [°C]	-40~+105			
焊锡温度 Soldering temperature	260°C/5S			
引针尺寸 Pin dimensions [mm]	0.8*0.6			
PCB板孔径 PCB Hole Diameter [mm]	Ø1.3			



Pitch: 5.08mm

WJ238-5.08

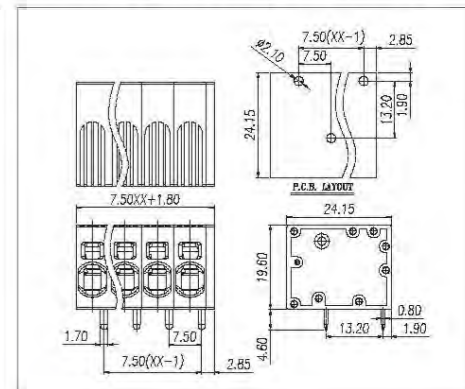
UL/CUL 技术参数 UL/CUL Technical Data		UL		
等级 Use Group	B C D			
额定电压 Rated Voltage [V]	300 - 300			
额定电流 Rated Current [A]	10 - 10			
接线范围 Wire Range	单芯线 Solid [AWG]	22~16		
	多芯线 Stranded [AWG]	22~16		
耐电压 Dielectric Voltage-Withstand	1.6KV			
IEC 技术参数 IEC Technical Data		IEC		
过电压类别 Overvoltage Category	II III II			
污染等级 Contamination Class	3 2 2			
额定电压 Rated Voltage [V]	250 320 630			
额定电流 Rated Current [A]	12 12 12			
额定冲击电压 Impulse withstand voltage [KV]	4 4 4			
导线截面积 Conductor cross section	硬质导线 Solid [mm ²]	0.2~1.5		
	柔性导线 Flexible [mm ²]	0.2~1.5		
材料 Material				
绝缘材料 Insulation Material	PA66			
阻燃等级 Flame retardant rating	UL94V-0			
导体材料 Conductor Material	Copper alloy			
导体表面镀层 Plating of conductor surface	Sn plated			
一般参数 Other Data				
间距/极数 Pitch/Poles [mm]/[P]	5.08/2~12			
剥线长度 Stripping Length [mm]	10			
螺丝/扭矩 Screw/Torque(Max) [N.m]	/			
工作温度 Operating temperature [°C]	-40~+105			
焊锡温度 Soldering temperature	260°C/5S			
引针尺寸 Pin dimensions [mm]	0.9*0.5			
PCB板孔径 PCB Hole Diameter [mm]	Ø1.2			



Pitch: 7.5mm

WJ239R-7.5

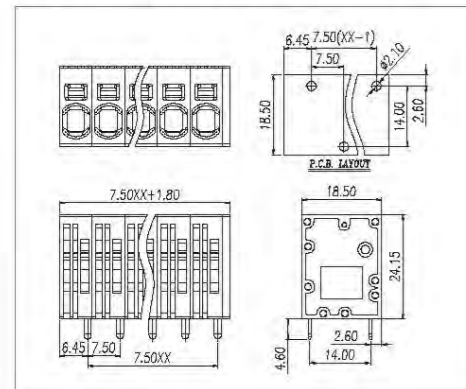
UL/CUL 技术参数 UL/CUL Technical Data		UL		
等级 Use Group	B C D			
额定电压 Rated Voltage [V]	600 600 600			
额定电流 Rated Current [A]	40 40 5			
接线范围 Wire Range	单芯线 Solid [AWG]	24~8		
	多芯线 Stranded [AWG]	24~8		
耐电压 Dielectric Voltage-Withstand	2.2KV			
IEC 技术参数 IEC Technical Data		IEC		
过电压类别 Overvoltage Category	II III II			
污染等级 Contamination Class	3 2 2			
额定电压 Rated Voltage [V]	800 1000 1000			
额定电流 Rated Current [A]	41 41 41			
额定冲击电压 Impulse withstand voltage [KV]	8 8 6			
导线截面积 Conductor cross section	硬质导线 Solid [mm ²]	0.2~10		
	柔性导线 Flexible [mm ²]	0.2~6		
材料 Material				
绝缘材料 Insulation Material	PA66			
阻燃等级 Flame retardant rating	UL94V-0			
导体材料 Conductor Material	Copper alloy			
导体表面镀层 Plating of conductor surface	Sn plated			
一般参数 Other Data				
间距/极数 Pitch/Poles [mm]/[P]	7.5/2~18			
剥线长度 Stripping Length [mm]	15			
螺丝/扭矩 Screw/Torque(Max) [N.m]	/			
工作温度 Operating temperature [°C]	-40~+105			
焊锡温度 Soldering temperature	260°C/5S			
引针尺寸 Pin dimensions [mm]	1.7*0.8			
PCB板孔径 PCB Hole Diameter [mm]	Ø2.1			





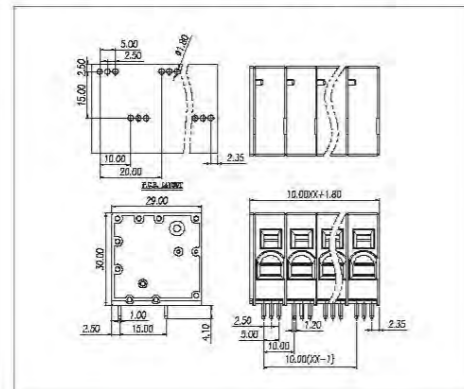
Pitch: 7.5mm
WJ239V-7.5

UL/CUL 技术参数 UL/CUL Technical Data		UL		
等级 Use Group	B C D	600	600	600
额定电压 Rated Voltage [V]		600	600	600
额定电流 Rated Current [A]		40	40	5
接线范围 Wire Range	单芯线 Solid [AWG] 多芯线 Stranded [AWG]	24~8		
耐电压 Dielectric Voltage-Withstand		2.2KV		
IEC 技术参数 IEC Technical Data		IEC		
过电压类别 Overvoltage Category	III IIII IIII	III	IIII	IIII
污染等级 Contamination Class		3	2	2
额定电压 Rated Voltage [V]		800	1000	1000
额定电流 Rated Current [A]		41	41	41
额定冲击电压 Impulse withstand voltage [KV]		8	8	6
导线截面积 Conductor cross section	硬质导线 Solid [mm ²] 柔性导线 Flexible [mm ²]	0.2~10 0.2~6		
材料 Material		PA66		
绝缘材料 Insulation Material		PA66		
阻燃等级 Flame retardant rating		UL94V-0		
导体材料 Conductor Material		Copper alloy		
导体表面镀层 Plating of conductor surface		Sn plated		
一般参数 Other Data		7.5/2~18		
间距/极数 Pitch/Poles [mm]/[P]		7.5/2~18		
剥线长度 Stripping Length [mm]		15		
螺丝/扭矩 Screw/Torque(Max) [N.m]		/		
工作温度 Operating temperature [°C]		-40~+105		
焊接温度 Soldering temperature		260°C/5S		
引针尺寸 Pin dimensions [mm]		1.7*0.8		
PCB板孔径 PCB Hole Diameter [mm]		Ø2.1		



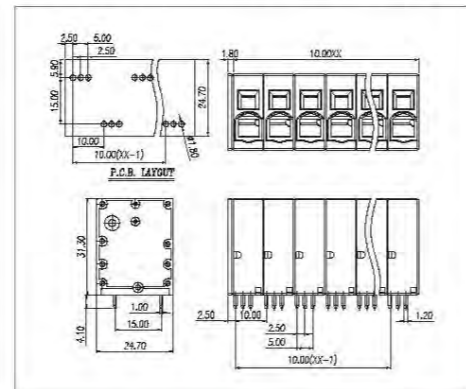
Pitch: 10.0mm
WJ239R-10.0

UL/CUL 技术参数 UL/CUL Technical Data		UL		
等级 Use Group	B C D	600	600	600
额定电压 Rated Voltage [V]		600	600	600
额定电流 Rated Current [A]		66	66	5
接线范围 Wire Range	单芯线 Solid [AWG] 多芯线 Stranded [AWG]	18~4		
耐电压 Dielectric Voltage-Withstand		2.2KV		
IEC 技术参数 IEC Technical Data		IEC		
过电压类别 Overvoltage Category	III IIII IIII	III	IIII	IIII
污染等级 Contamination Class		3	2	2
额定电压 Rated Voltage [V]		1000	1000	1000
额定电流 Rated Current [A]		76	76	76
额定冲击电压 Impulse withstand voltage [KV]		8	8	6
导线截面积 Conductor cross section	硬质导线 Solid [mm ²] 柔性导线 Flexible [mm ²]	0.75~16 0.75~16		
材料 Material		PA66		
绝缘材料 Insulation Material		PA66		
阻燃等级 Flame retardant rating		UL94V-0		
导体材料 Conductor Material		Copper alloy		
导体表面镀层 Plating of conductor surface		Sn plated		
一般参数 Other Data		10.0/2~12		
间距/极数 Pitch/Poles [mm]/[P]		10.0/2~12		
剥线长度 Stripping Length [mm]		18		
螺丝/扭矩 Screw/Torque(Max) [N.m]		/		
工作温度 Operating temperature [°C]		-40~+105		
焊接温度 Soldering temperature		260°C/5S		
引针尺寸 Pin dimensions [mm]		1.2*1.0		
PCB板孔径 PCB Hole Diameter [mm]		Ø1.8		



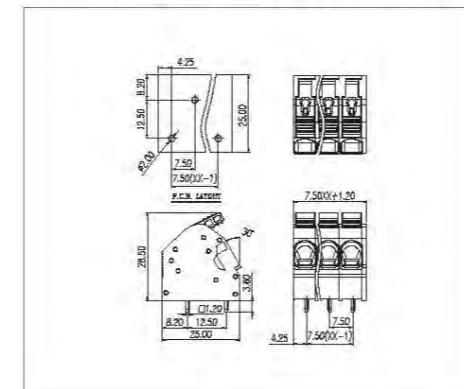
Pitch: 10.0mm
WJ239V-10.0

UL/CUL 技术参数 UL/CUL Technical Data		UL		
等级 Use Group	B C D	600	600	600
额定电压 Rated Voltage [V]		600	600	600
额定电流 Rated Current [A]		66	66	5
接线范围 Wire Range	单芯线 Solid [AWG] 多芯线 Stranded [AWG]	18~4		
耐电压 Dielectric Voltage-Withstand		2.2KV		
IEC 技术参数 IEC Technical Data		IEC		
过电压类别 Overvoltage Category	III IIII IIII	III	IIII	IIII
污染等级 Contamination Class		3	2	2
额定电压 Rated Voltage [V]		1000	1000	1000
额定电流 Rated Current [A]		76	76	76
额定冲击电压 Impulse withstand voltage [KV]		8	8	6
导线截面积 Conductor cross section	硬质导线 Solid [mm ²] 柔性导线 Flexible [mm ²]	0.75~16 0.75~16		
材料 Material		PA66		
绝缘材料 Insulation Material		PA66		
阻燃等级 Flame retardant rating		UL94V-0		
导体材料 Conductor Material		Copper alloy		
导体表面镀层 Plating of conductor surface		Sn plated		
一般参数 Other Data		10.0/2~12		
间距/极数 Pitch/Poles [mm]/[P]		10.0/2~12		
剥线长度 Stripping Length [mm]		18		
螺丝/扭矩 Screw/Torque(Max) [N.m]		/		
工作温度 Operating temperature [°C]		-40~+105		
焊接温度 Soldering temperature		260°C/5S		
引针尺寸 Pin dimensions [mm]		1.2*1.0		
PCB板孔径 PCB Hole Diameter [mm]		Ø1.8		



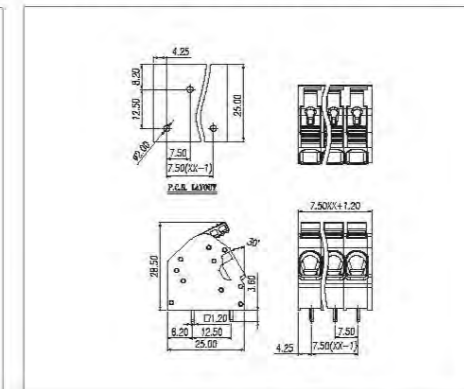
Pitch: 7.5mm
WJ240S-7.5

UL/CUL 技术参数 UL/CUL Technical Data		UL		
等级 Use Group	B C D	600	600	600
额定电压 Rated Voltage [V]		600	600	600
额定电流 Rated Current [A]		27	27	5
接线范围 Wire Range	单芯线 Solid [AWG] 多芯线 Stranded [AWG]	24~10		
耐电压 Dielectric Voltage-Withstand		2.2KV		
IEC 技术参数 IEC Technical Data		IEC		
过电压类别 Overvoltage Category	III IIII IIII	III	IIII	IIII
污染等级 Contamination Class		3	2	2
额定电压 Rated Voltage [V]		1000	1000	1000
额定电流 Rated Current [A]		41	41	41
额定冲击电压 Impulse withstand voltage [KV]		8	8	6
导线截面积 Conductor cross section	硬质导线 Solid [mm ²] 柔性导线 Flexible [mm ²]	0.2~6 0.2~6		
材料 Material		PA66		
绝缘材料 Insulation Material		PA66		
阻燃等级 Flame retardant rating		UL94V-0		
导体材料 Conductor Material		Copper alloy		
导体表面镀层 Plating of conductor surface		Sn plated		
一般参数 Other Data		7.5/2~24		
间距/极数 Pitch/Poles [mm]/[P]		7.5/2~24		
剥线长度 Stripping Length [mm]		15~16		
螺丝/扭矩 Screw/Torque(Max) [N.m]		/		
工作温度 Operating temperature [°C]		-40~+105		
焊接温度 Soldering temperature		260°C/5S		
引针尺寸 Pin dimensions [mm]		1.2*1.2		
PCB板孔径 PCB Hole Diameter [mm]		Ø2.0		



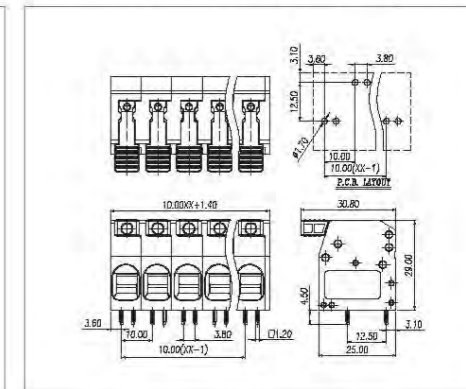
Pitch: 7.5mm
WJ240R-7.5

UL/CUL 技术参数 UL/CUL Technical Data		UL		
等级 Use Group	B C D	600	600	600
额定电压 Rated Voltage [V]		600	600	600
额定电流 Rated Current [A]		27	27	5
接线范围 Wire Range	单芯线 Solid [AWG] 多芯线 Stranded [AWG]	24~10		
耐电压 Dielectric Voltage-Withstand		2.2KV		
IEC 技术参数 IEC Technical Data		IEC		
过电压类别 Overvoltage Category	III IIII IIII	III	IIII	IIII
污染等级 Contamination Class		3	2	2
额定电压 Rated Voltage [V]		1000	1000	1000
额定电流 Rated Current [A]		41	41	41
额定冲击电压 Impulse withstand voltage [KV]		6	6	6
导线截面积 Conductor cross section	硬质导线 Solid [mm ²] 柔性导线 Flexible [mm ²]	0.2~6 0.2~6		
材料 Material		PA66		
绝缘材料 Insulation Material		PA66		
阻燃等级 Flame retardant rating		UL94V-0		
导体材料 Conductor Material		Copper alloy		
导体表面镀层 Plating of conductor surface		Sn plated		
一般参数 Other Data		7.5/2~24		
间距/极数 Pitch/Poles [mm]/[P]		7.5/2~24		
剥线长度 Stripping Length [mm]		15~16		
螺丝/扭矩 Screw/Torque(Max) [N.m]		/		
工作温度 Operating temperature [°C]		-40~+105		
焊接温度 Soldering temperature		260°C/5S		
引针尺寸 Pin dimensions [mm]		1.2*1.2		
PCB板孔径 PCB Hole Diameter [mm]		Ø2.0		



Pitch: 10.0mm
WJ240R-10.0

UL/CUL 技术参数 UL/CUL Technical Data		UL		
等级 Use Group	B C D	600	600	600
额定电压 Rated Voltage [V]		600	600	600
额定电流 Rated Current [A]		51	51	5
接线范围 Wire Range	单芯线 Solid [AWG] 多芯线 Stranded [AWG]	18~4		
耐电压 Dielectric Voltage-Withstand		2.2KV		
IEC 技术参数 IEC Technical Data		IEC		
过电压类别 Overvoltage Category	III IIII IIII	III	IIII	IIII
污染等级 Contamination Class		3	2	2
额定电压 Rated Voltage [V]		1000	1000	1000
额定电流 Rated Current [A]		76	76	76
额定冲击电压 Impulse withstand voltage [KV]		8	8	8
导线截面积 Conductor cross section	硬质导线 Solid [mm ²] 柔性导线 Flexible [mm ²]	0.2~16 0.2~16		
材料 Material		PA66		
绝缘材料 Insulation Material		PA66		
阻燃等级 Flame retardant rating		UL94V-0		
导体材料 Conductor Material		Copper alloy		
导体表面镀层 Plating of conductor surface		Sn plated		
一般参数 Other Data		10.0/2~18		
间距/极数 Pitch/Poles [mm]/[P]		10.0/2~18		
剥线长度 Stripping Length [mm]		17~18		
螺丝/扭矩 Screw/Torque(Max) [N.m]		/		
工作温度 Operating temperature [°C]		-40~+105		
焊接温度 Soldering temperature		260°C/5S		
引针尺寸 Pin dimensions [mm]		1.2*1.2		
PCB板孔径 PCB Hole Diameter [mm]		Ø1.7		

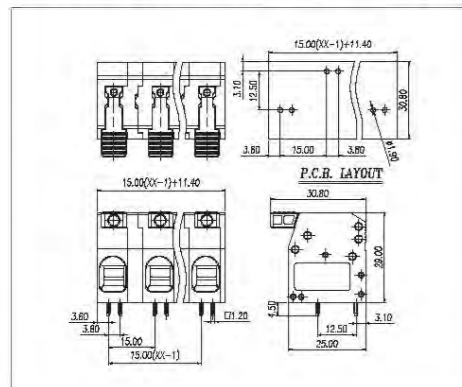




Pitch:15.0mm

WJ240R-15.0

UL/CUL 技术参数		UL/CUL Technical Data		UL
等级	Use Group	B	C	
额定电压	Rated Voltage [V]	600	600	-
额定电流	Rated Current [A]	51	51	-
接线范围 Wire Range	单芯线 Solid [AWG]	18~4		
	多芯线 Stranded [AWG]	18~4		
耐电压	Dielectric Voltage-Withstand	2.2KV		
IEC 技术参数		IEC Technical Data		
过电压类别	Overvoltage Category	III	III	II
污染等级	Contamination Class	3	2	2
额定电压	Rated Voltage [V]	1000	1000	1000
额定电流	Rated Current [A]	76	76	76
额定冲击电压	Impulse withstand voltage [KV]	8	8	8
导线截面积 Conductor cross section	硬质导线 Solid [mm ²]	0.2~16		
	柔性导线 Flexible [mm ²]	0.2~16		
材料 Material				
绝缘材料	Insulation Material	PA66		
阻燃等级	Flame retardant rating	UL94V-0		
导体材料	Conductor Material	Copper alloy		
导体表面镀层	Plating of conductor surface	Sn plated		
一般参数 Other Data				
间距/极数	Pitch/Poles [mm]/[P]	15.0/2~18		
剥线长度	Stripping Length [mm]	17~18		
螺丝/扭矩	Screw/Torque(Max) [N.m]	/		
工作温度	Operating temperature [°C]	-40~+105		
锡焊温度	Soldering temperature	260°C/5S		
引针尺寸	Pin dimensions [mm]	1.2*1.2		
PCB板孔径	PCB Hole Diameter [mm]	Ø1.9		

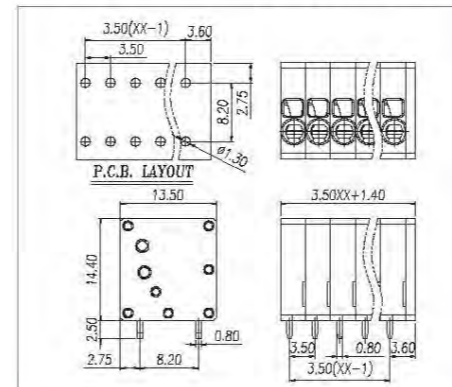




Pitch:3.5 mm

WJ241V-3.5

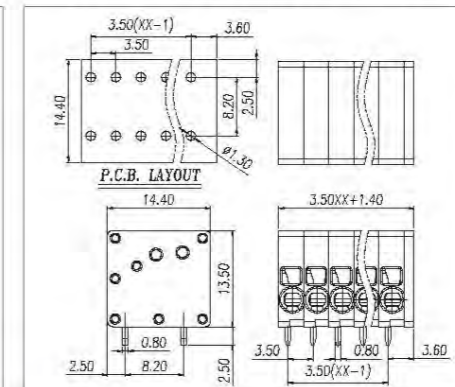
UL/CUL 技术参数 UL/CUL Technical Data		UL		
等级	Use Group	B	C	D
额定电压	Rated Voltage [V]	300	-	300
额定电流	Rated Current [A]	10	-	10
接线范围 Wire Range	单芯线 Solid [AWG]	24~16		
	多芯线 Stranded [AWG]	24~16		
耐电压	Dielectric Voltage-Withstand	1.6KV		
IEC 技术参数 IEC Technical Data				
过电压类别	Overvoltage Category	III	II	I
污染等级	Contamination Class	3	2	2
额定电压	Rated Voltage [V]	160	200	400
额定电流	Rated Current [A]	17.5	17.5	17.5
额定冲击电压	Impulse withstand voltage [KV]	2.5	2.5	2.5
导线截面积 Conductor cross section	硬质导线 Solid [mm ²]	0.2~1.5		
	柔性导线 Flexible [mm ²]	0.2~1.5		
材料 Material				
绝缘材料	Insulation Material	PA66		
阻燃等级	Flame retardant rating	UL94V-0		
导体材料	Conductor Material	Copper alloy		
导体表面镀层	Plating of conductor surface	Sn plated		
一般参数 Other Data				
间距/极数	Pitch/Poles [mm]/[P]	3.5/1~30		
剥线长度	Stripping Length [mm]	11~12		
螺丝/扭矩	Screw/Torque(Max) [N.m]	/		
工作温度	Operating temperature [°C]	-40~+105		
锡焊温度	Soldering temperature	260°C/5S		
引针尺寸	Pin dimensions [mm]	0.8*0.8		
PCB板孔径	PCB Hole Diameter [mm]	Ø1.3		



Pitch:3.5 mm

WJ241R-3.5

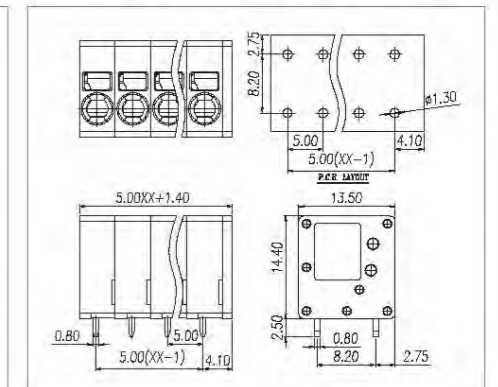
UL/CUL 技术参数 UL/CUL Technical Data		UL		
等级	Use Group	B	C	D
额定电压	Rated Voltage [V]	300	-	300
额定电流	Rated Current [A]	10	-	10
接线范围 Wire Range	单芯线 Solid [AWG]	24~16		
	多芯线 Stranded [AWG]	24~16		
耐电压	Dielectric Voltage-Withstand	1.6KV		
IEC 技术参数 IEC Technical Data				
过电压类别	Overvoltage Category	III	II	I
污染等级	Contamination Class	3	2	2
额定电压	Rated Voltage [V]	160	200	400
额定电流	Rated Current [A]	17.5	17.5	17.5
额定冲击电压	Impulse withstand voltage [KV]	2.5	2.5	2.5
导线截面积 Conductor cross section	硬质导线 Solid [mm ²]	0.2~1.5		
	柔性导线 Flexible [mm ²]	0.2~1.5		
材料 Material				
绝缘材料	Insulation Material	PA66		
阻燃等级	Flame retardant rating	UL94V-0		
导体材料	Conductor Material	Copper alloy		
导体表面镀层	Plating of conductor surface	Sn plated		
一般参数 Other Data				
间距/极数	Pitch/Poles [mm]/[P]	3.5/1~30		
剥线长度	Stripping Length [mm]	11~12		
螺丝/扭矩	Screw/Torque(Max) [N.m]	/		
工作温度	Operating temperature [°C]	-40~+105		
锡焊温度	Soldering temperature	260°C/5S		
引针尺寸	Pin dimensions [mm]	0.8*0.8		
PCB板孔径	PCB Hole Diameter [mm]	Ø1.3		



Pitch:5.0mm

WJ241V-5.0

UL/CUL 技术参数 UL/CUL Technical Data		UL		
等级	Use Group	B	C	D
额定电压	Rated Voltage [V]	300	-	300
额定电流	Rated Current [A]	20	-	10
接线范围 Wire Range	单芯线 Solid [AWG]	24~12		
	多芯线 Stranded [AWG]	24~12		
耐电压	Dielectric Voltage-Withstand	1.6KV		
IEC 技术参数 IEC Technical Data				
过电压类别	Overvoltage Category	III	II	I
污染等级	Contamination Class	3	2	2
额定电压	Rated Voltage [V]	250	400	630
额定电流	Rated Current [A]	24	24	24
额定冲击电压	Impulse withstand voltage [KV]	4	4	4
导线截面积 Conductor cross section	硬质导线 Solid [mm ²]	0.2~4.0		
	柔性导线 Flexible [mm ²]	0.2~2.5		
材料 Material				
绝缘材料	Insulation Material	PA66		
阻燃等级	Flame retardant rating	UL94V-0		
导体材料	Conductor Material	Copper alloy		
导体表面镀层	Plating of conductor surface	Sn plated		
一般参数 Other Data				
间距/极数	Pitch/Poles [mm]/[P]	5.0/1~30		
剥线长度	Stripping Length [mm]	9~10		
螺丝/扭矩	Screw/Torque(Max) [N.m]	/		
工作温度	Operating temperature [°C]	-40~+105		
锡焊温度	Soldering temperature	260°C/5S		
引针尺寸	Pin dimensions [mm]	0.8*0.8		
PCB板孔径	PCB Hole Diameter [mm]	Ø1.3		

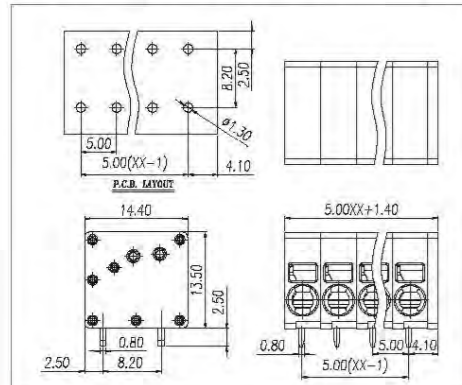




Pitch:5.0mm

WJ241R-5.0

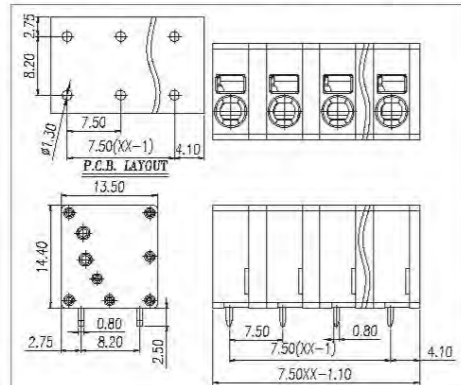
UL/CUL 技术参数		UL/CUL Technical Data	
等级	Use Group	B	C D
额定电压	Rated Voltage [V]	300	- 300
额定电流	Rated Current [A]	20	- 10
接线范围	单芯线 Solid [AWG]	24~12	
	多芯线 Stranded [AWG]	24~12	
耐电压	Dielectric Voltage-Withstand	1.6KV	
IEC 技术参数		IEC Technical Data	
过电压类别	Overvoltage Category	II	III
污染等级	Contamination Class	3	2 2
额定电压	Rated Voltage [V]	250	400 630
额定电流	Rated Current [A]	24	24 24
额定冲击电压	Impulse withstand voltage [KV]	4	4 4
导线截面积	硬质导线 Solid [mm ²]	0.2~4.0	
	柔性导线 Flexible [mm ²]	0.2~2.5	
材料 Material		Material	
绝缘材料	Insulation Material	PA66	
阻燃等级	Flame retardant rating	UL94V-0	
导体材料	Conductor Material	Copper alloy	
导体表面镀层	Plating of conductor surface	Sn plated	
一般参数 Other Data		Other Data	
间距/极数	Pitch/Poles [mm]/[P]	5.0/1-30	
剥线长度	Stripping Length [mm]	9~10	
螺丝/扭矩	Screw/Torque(Max) [N.m]	/	
工作温度	Operating temperature [°C]	-40~+105	
锡焊温度	Soldering temperature	260°C/5S	
引针尺寸	Pin dimensions [mm]	0.8*0.8	
PCB板孔径	PCB Hole Diameter [mm]	Ø1.3	



Pitch:7.5mm

WJ241V-7.5

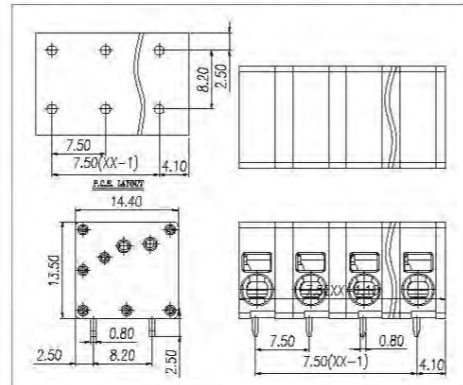
UL/CUL 技术参数		UL/CUL Technical Data	
等级	Use Group	B	C D
额定电压	Rated Voltage [V]	300	- 300
额定电流	Rated Current [A]	20	- 10
接线范围	单芯线 Solid [AWG]	24~12	
	多芯线 Stranded [AWG]	24~12	
耐电压	Dielectric Voltage-Withstand	1.6KV	
IEC 技术参数		IEC Technical Data	
过电压类别	Overvoltage Category	II	III
污染等级	Contamination Class	3	2 2
额定电压	Rated Voltage [V]	250	400 630
额定电流	Rated Current [A]	24	24 24
额定冲击电压	Impulse withstand voltage [KV]	4	4 4
导线截面积	硬质导线 Solid [mm ²]	0.2~4.0	
	柔性导线 Flexible [mm ²]	0.2~2.5	
材料 Material		Material	
绝缘材料	Insulation Material	PA66	
阻燃等级	Flame retardant rating	UL94V-0	
导体材料	Conductor Material	Copper alloy	
导体表面镀层	Plating of conductor surface	Sn plated	
一般参数 Other Data		Other Data	
间距/极数	Pitch/Poles [mm]/[P]	7.5/1-18	
剥线长度	Stripping Length [mm]	9~10	
螺丝/扭矩	Screw/Torque(Max) [N.m]	/	
工作温度	Operating temperature [°C]	-40~+105	
锡焊温度	Soldering temperature	260°C/5S	
引针尺寸	Pin dimensions [mm]	0.8*0.8	
PCB板孔径	PCB Hole Diameter [mm]	Ø1.3	



Pitch:7.5mm

WJ241R-7.5

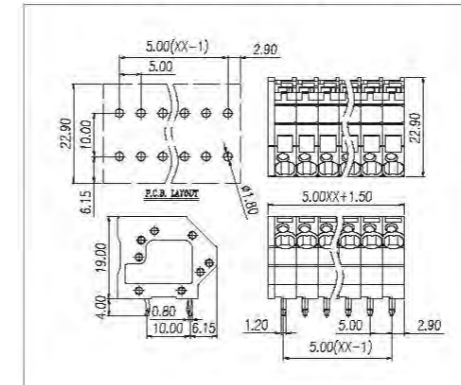
UL/CUL 技术参数		UL/CUL Technical Data	
等级	Use Group	B	C D
额定电压	Rated Voltage [V]	300	- 300
额定电流	Rated Current [A]	20	- 10
接线范围	单芯线 Solid [AWG]	24~12	
	多芯线 Stranded [AWG]	24~12	
耐电压	Dielectric Voltage-Withstand	1.6KV	
IEC 技术参数		IEC Technical Data	
过电压类别	Overvoltage Category	II	III
污染等级	Contamination Class	3	2 2
额定电压	Rated Voltage [V]	250	400 630
额定电流	Rated Current [A]	24	24 24
额定冲击电压	Impulse withstand voltage [KV]	4	4 4
导线截面积	硬质导线 Solid [mm ²]	0.2~4.0	
	柔性导线 Flexible [mm ²]	0.2~2.5	
材料 Material		Material	
绝缘材料	Insulation Material	PA66	
阻燃等级	Flame retardant rating	UL94V-0	
导体材料	Conductor Material	Copper alloy	
导体表面镀层	Plating of conductor surface	Sn plated	
一般参数 Other Data		Other Data	
间距/极数	Pitch/Poles [mm]/[P]	7.5/1-18	
剥线长度	Stripping Length [mm]	9~10	
螺丝/扭矩	Screw/Torque(Max) [N.m]	/	
工作温度	Operating temperature [°C]	-40~+105	
锡焊温度	Soldering temperature	260°C/5S	
引针尺寸	Pin dimensions [mm]	0.8*0.8	
PCB板孔径	PCB Hole Diameter [mm]	Ø1.3	



Pitch:5.0mm

WJ242-5.0

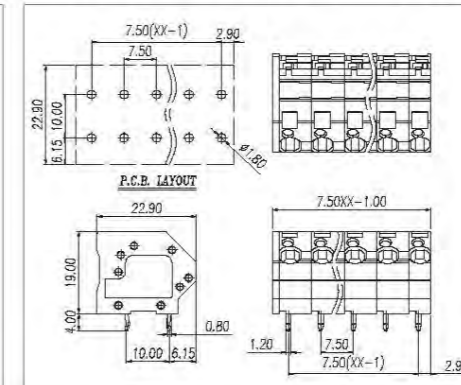
UL/CUL 技术参数		UL/CUL Technical Data	
等级	Use Group	B	C D
额定电压	Rated Voltage [V]	300	- 300
额定电流	Rated Current [A]	20	- 10
接线范围	单芯线 Solid [AWG]	28~12	
	多芯线 Stranded [AWG]	28~12	
耐电压	Dielectric Voltage-Withstand	1.6KV	
IEC 技术参数		IEC Technical Data	
过电压类别	Overvoltage Category	III	III
污染等级	Contamination Class	3	2 2
额定电压	Rated Voltage [V]	320	320 630
额定电流	Rated Current [A]	32	32 32
额定冲击电压	Impulse withstand voltage [KV]	4	4 4
导线截面积	硬质导线 Solid [mm ²]	0.2~4.0	
	柔性导线 Flexible [mm ²]	0.2~4.0	
材料 Material		Material	
绝缘材料	Insulation Material	PA66	
阻燃等级	Flame retardant rating	UL94V-0	
导体材料	Conductor Material	Copper alloy	
导体表面镀层	Plating of conductor surface	Sn plated	
一般参数 Other Data		Other Data	
间距/极数	Pitch/Poles [mm]/[P]	5.0/1-24	
剥线长度	Stripping Length [mm]	9~10	
螺丝/扭矩	Screw/Torque(Max) [N.m]	/	
工作温度	Operating temperature [°C]	-40~+105	
锡焊温度	Soldering temperature	260°C/5S	
引针尺寸	Pin dimensions [mm]	1.2*0.8	
PCB板孔径	PCB Hole Diameter [mm]	Ø1.8	



Pitch:7.5mm

WJ242-7.5

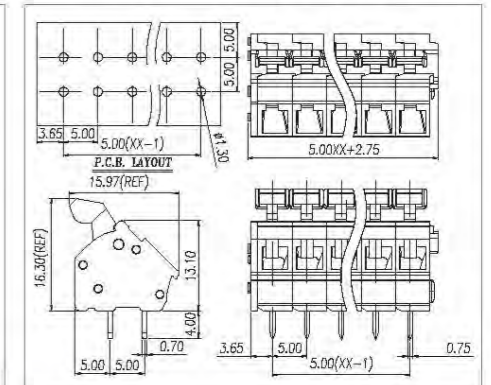
UL/CUL 技术参数		UL/CUL Technical Data	
等级	Use Group	B	C D
额定电压	Rated Voltage [V]	300	150 300
额定电流	Rated Current [A]	20	20 10
接线范围	单芯线 Solid [AWG]	28~12	
	多芯线 Stranded [AWG]	28~12	
耐电压	Dielectric Voltage-Withstand	1.6KV	
IEC 技术参数		IEC Technical Data	
过电压类别	Overvoltage Category	III	III
污染等级	Contamination Class	3	2 2
额定电压	Rated Voltage [V]	500	630 1000
额定电流	Rated Current [A]	32	32 32
额定冲击电压	Impulse withstand voltage [KV]	6	6 6
导线截面积	硬质导线 Solid [mm ²]	0.2~4.0	
	柔性导线 Flexible [mm ²]	0.2~4.0	
材料 Material		Material	
绝缘材料	Insulation Material	PA66	
阻燃等级	Flame retardant rating	UL94V-0	
导体材料	Conductor Material	Copper alloy	
导体表面镀层	Plating of conductor surface	Sn plated	
一般参数 Other Data		Other Data	
间距/极数	Pitch/Poles [mm]/[P]	7.5/2-24	
剥线长度	Stripping Length [mm]	9~10	
螺丝/扭矩	Screw/Torque(Max) [N.m]	/	
工作温度	Operating temperature [°C]	-40~+105	
锡焊温度	Soldering temperature	260°C/5S	
引针尺寸	Pin dimensions [mm]	1.2*0.8	
PCB板孔径	PCB Hole Diameter [mm]	Ø1.8	

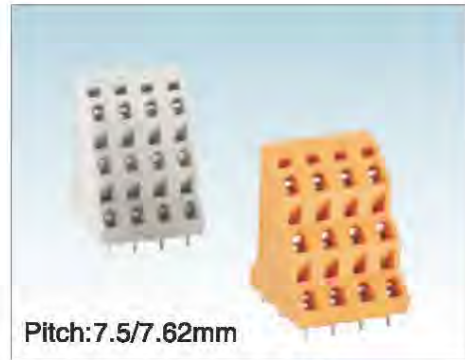


Pitch:5.0mm

WJ243A-5.0

UL/CUL 技术参数		UL/CUL Technical Data	
等级	Use Group	B	C D
额定电压	Rated Voltage [V]	300	- 300
额定电流	Rated Current [A]	15	- 10
接线范围	单芯线 Solid [AWG]	28~12	
	多芯线 Stranded [AWG]	28~12	
耐电压	Dielectric Voltage-Withstand	1.6KV	
IEC 技术参数		IEC Technical Data	
过电压类别	Overvoltage Category	III	III
污染等级	Contamination Class	3	2 2
额定电压	Rated Voltage [V]	250	320 630
额定电流	Rated Current [A]	24	24 24
额定冲击电压	Impulse withstand voltage [KV]	4	4 4
导线截面积	硬质导线 Solid [mm ²]	0.2~2.5	
	柔性导线 Flexible [mm ²]	0.2~2.5	
材料 Material		Material	
绝缘材料	Insulation Material	PA66	
阻燃等级	Flame retardant rating	UL94V-0	
导体材料	Conductor Material	Copper alloy	
导体表面镀层	Plating of conductor surface	Sn plated	
一般参数 Other Data		Other Data	
间距/极数	Pitch/Poles [mm]/[P]	5.0/2-30	
剥线长度	Stripping Length [mm]	5~6	
螺丝/扭矩	Screw/Torque(Max) [N.m]	/	
工作温度	Operating temperature [°C]	-40~+105	
锡焊温度	Soldering temperature	260°C/5S	
引针尺寸	Pin dimensions [mm]	0.75*0.7	
PCB板孔径	PCB Hole Diameter [mm]	Ø1.3	





Pitch:7.5/7.62mm



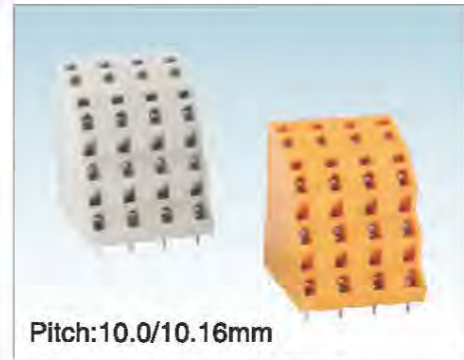
Pitch:10.0/10.16mm



Pitch:5.0/5.08mm



Pitch:7.5/7.62mm



Pitch:10.0/10.16mm



Pitch:7.5mm

UL/CUL 技术参数 UL/CUL Technical Data			
等级 Use Group	B C D		
额定电压 Rated Voltage [V]	300 - 300		
额定电流 Rated Current [A]	10 - 10		
接线范围 Wire Range	单芯线 Solid [AWG]	28~12	
	多芯线 Stranded [AWG]	28~12	
耐电压 Dielectric Voltage-Withstand	1.6KV		
IEC 技术参数 IEC Technical Data			
过电压类别 Overvoltage Category	II III II		
污染等级 Contamination Class	3 2 2		
额定电压 Rated Voltage [V]	400 630 1000		
额定电流 Rated Current [A]	21 21 21		
额定冲击电压 Impulse withstand voltage [KV]	6 6 6		
导线截面积 Conductor cross section	硬质导线 Solid [mm ²]	0.2~2.5	
	柔性导线 Flexible [mm ²]	0.2~2.5	
材料 Material			
绝缘材料 Insulation Material	PA66		
阻燃等级 Flame retardant rating	UL94V-0		
导体材料 Conductor Material	Copper alloy		
导体表面镀层 Plating of conductor surface	Sn plated		
一般参数 Other Data			
间距/极数 Pitch/Poles [mm]/[P]	7.5, 7.62 3*2~3*16		
剥线长度 Stripping Length [mm]	5~6		
螺丝/扭矩 Screw/Torque(Max) [N.m]	/		
工作温度 Operating temperature [°C]	-40~+105		
焊锡温度 Soldering temperature	260°C/5S		
引针尺寸 Pin dimensions [mm]	0.7*0.7		
PCB板孔径 PCB Hole Diameter [mm]	Ø1.3		

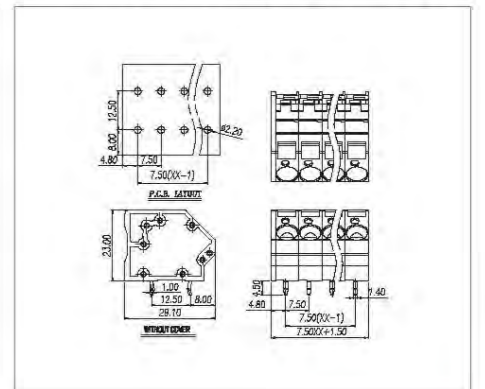
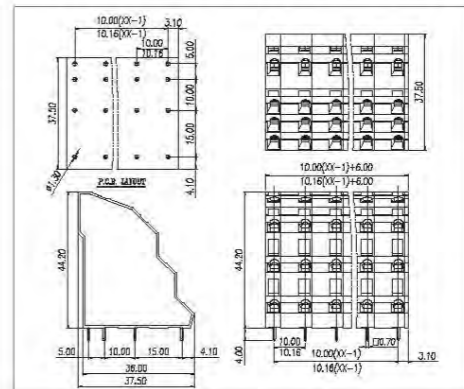
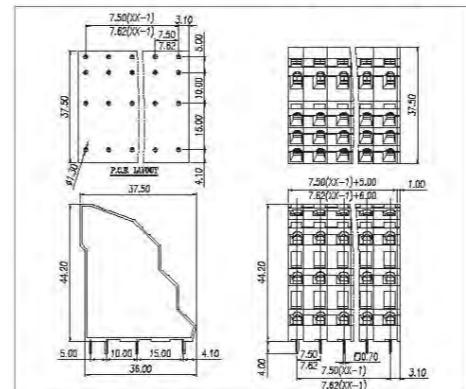
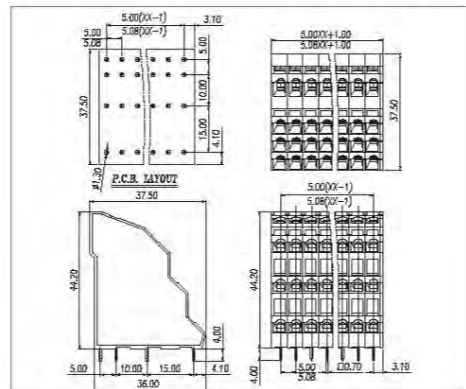
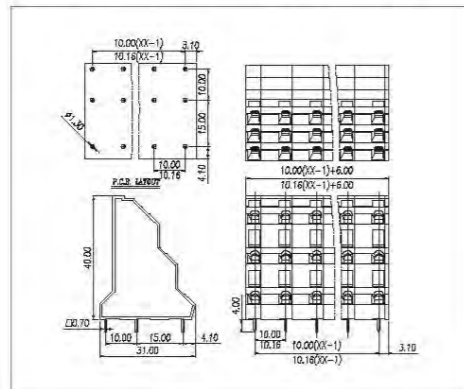
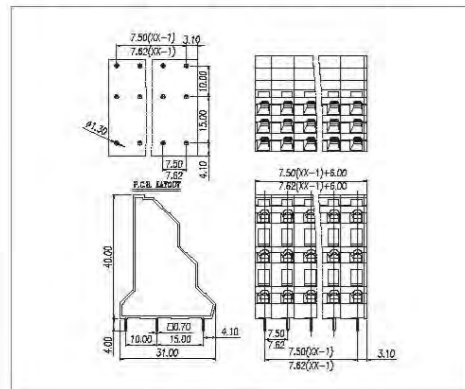
UL/CUL 技术参数 UL/CUL Technical Data			
等级 Use Group	B C D		
额定电压 Rated Voltage [V]	300 - 300		
额定电流 Rated Current [A]	10 - 10		
接线范围 Wire Range	单芯线 Solid [AWG]	28~12	
	多芯线 Stranded [AWG]	28~12	
耐电压 Dielectric Voltage-Withstand	1.6KV		
IEC 技术参数 IEC Technical Data			
过电压类别 Overvoltage Category	II III II		
污染等级 Contamination Class	3 2 2		
额定电压 Rated Voltage [V]	630 1000 1000		
额定电流 Rated Current [A]	21 21 21		
额定冲击电压 Impulse withstand voltage [KV]	8 8 8		
导线截面积 Conductor cross section	硬质导线 Solid [mm ²]	0.2~2.5	
	柔性导线 Flexible [mm ²]	0.2~2.5	
材料 Material			
绝缘材料 Insulation Material	PA66		
阻燃等级 Flame retardant rating	UL94V-0		
导体材料 Conductor Material	Copper alloy		
导体表面镀层 Plating of conductor surface	Sn plated		
一般参数 Other Data			
间距/极数 Pitch/Poles [mm]/[P]	10.0, 10.16 3*2~3*12		
剥线长度 Stripping Length [mm]	5~6		
螺丝/扭矩 Screw/Torque(Max) [N.m]	/		
工作温度 Operating temperature [°C]	-40~+105		
焊锡温度 Soldering temperature	260°C/5S		
引针尺寸 Pin dimensions [mm]	0.7*0.7		
PCB板孔径 PCB Hole Diameter [mm]	Ø1.3		

UL/CUL 技术参数 UL/CUL Technical Data			
等级 Use Group	B C D		
额定电压 Rated Voltage [V]	300 - 300		
额定电流 Rated Current [A]	10 - 10		
接线范围 Wire Range	单芯线 Solid [AWG]	28~12	
	多芯线 Stranded [AWG]	28~12	
耐电压 Dielectric Voltage-Withstand	1.6KV		
IEC 技术参数 IEC Technical Data			
过电压类别 Overvoltage Category	III III II		
污染等级 Contamination Class	3 2 2		
额定电压 Rated Voltage [V]	250 320 630		
额定电流 Rated Current [A]	18 18 18		
额定冲击电压 Impulse withstand voltage [KV]	4 4 4		
导线截面积 Conductor cross section	硬质导线 Solid [mm ²]	0.2~2.5	
	柔性导线 Flexible [mm ²]	0.2~2.5	
材料 Material			
绝缘材料 Insulation Material	PA66		
阻燃等级 Flame retardant rating	UL94V-0		
导体材料 Conductor Material	Copper alloy		
导体表面镀层 Plating of conductor surface	Sn plated		
一般参数 Other Data			
间距/极数 Pitch/Poles [mm]/[P]	5.0, 5.08 4*2~4*24		
剥线长度 Stripping Length [mm]	5~6		
螺丝/扭矩 Screw/Torque(Max) [N.m]	/		
工作温度 Operating temperature [°C]	-40~+105		
焊锡温度 Soldering temperature	260°C/5S		
引针尺寸 Pin dimensions [mm]	0.7*0.7		
PCB板孔径 PCB Hole Diameter [mm]	Ø1.3		

UL/CUL 技术参数 UL/CUL Technical Data			
等级 Use Group	B C D		
额定电压 Rated Voltage [V]	300 - 300		
额定电流 Rated Current [A]	10 - 10		
接线范围 Wire Range	单芯线 Solid [AWG]	28~12	
	多芯线 Stranded [AWG]	28~12	
耐电压 Dielectric Voltage-Withstand	1.6KV		
IEC 技术参数 IEC Technical Data			
过电压类别 Overvoltage Category	III III II		
污染等级 Contamination Class	3 2 2		
额定电压 Rated Voltage [V]	400 630 1000		
额定电流 Rated Current [A]	18 18 18		
额定冲击电压 Impulse withstand voltage [KV]	6 6 6		
导线截面积 Conductor cross section	硬质导线 Solid [mm ²]	0.2~2.5	
	柔性导线 Flexible [mm ²]	0.2~2.5	
材料 Material			
绝缘材料 Insulation Material	PA66		
阻燃等级 Flame retardant rating	UL94V-0		
导体材料 Conductor Material	Copper alloy		
导体表面镀层 Plating of conductor surface	Sn plated		
一般参数 Other Data			
间距/极数 Pitch/Poles [mm]/[P]	7.5, 7.62 4*2~4*16		
剥线长度 Stripping Length [mm]	5~6		
螺丝/扭矩 Screw/Torque(Max) [N.m]	/		
工作温度 Operating temperature [°C]	-40~+105		
焊锡温度 Soldering temperature	260°C/5S		
引针尺寸 Pin dimensions [mm]	0.7*0.7		
PCB板孔径 PCB Hole Diameter [mm]	Ø1.3		

UL/CUL 技术参数 UL/CUL Technical Data			
等级 Use Group	B C D		
额定电压 Rated Voltage [V]	300 - 300		
额定电流 Rated Current [A]	10 - 10		
接线范围 Wire Range	单芯线 Solid [AWG]	28~12	
	多芯线 Stranded [AWG]	28~12	
耐电压 Dielectric Voltage-Withstand	1.6KV		
IEC 技术参数 IEC Technical Data			
过电压类别 Overvoltage Category	III III II		
污染等级 Contamination Class	3 2 2		
额定电压 Rated Voltage [V]	630 1000 1000		
额定电流 Rated Current [A]	18 18 18		
额定冲击电压 Impulse withstand voltage [KV]	8 8 8		
导线截面积 Conductor cross section	硬质导线 Solid [mm ²]	0.2~2.5	
	柔性导线 Flexible [mm ²]	0.2~2.5	
材料 Material			
绝缘材料 Insulation Material	PA66		
阻燃等级 Flame retardant rating	UL94V-0		
导体材料 Conductor Material	Copper alloy		
导体表面镀层 Plating of conductor surface	Sn plated		
一般参数 Other Data			
间距/极数 Pitch/Poles [mm]/[P]	10.0, 10.16 4*2~4*12		
剥线长度 Stripping Length [mm]	5~6		
螺丝/扭矩 Screw/Torque(Max) [N.m]	/		
工作温度 Operating temperature [°C]	-40~+105		
焊锡温度 Soldering temperature	260°C/5S		
引针尺寸 Pin dimensions [mm]	0.7*0.7		
PCB板孔径 PCB Hole Diameter [mm]	Ø1.3		

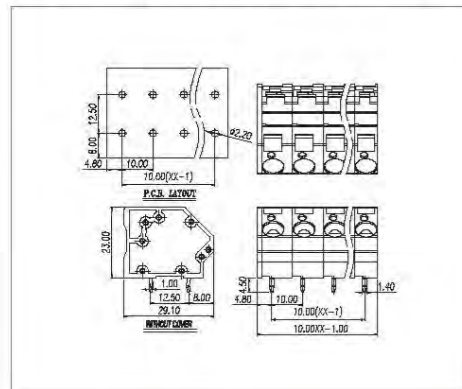
UL/CUL 技术参数 UL/CUL Technical Data			
等级 Use Group	B C D		
额定电压 Rated Voltage [V]	300 150 300		
额定电流 Rated Current [A]	30 30 10		
接线范围 Wire Range	单芯线 Solid [AWG]	24~10	
	多芯线 Stranded [AWG]	24~10	
耐电压 Dielectric Voltage-Withstand	1.6KV		
IEC 技术参数 IEC Technical Data			
过电压类别 Overvoltage Category	III III II		
污染等级 Contamination Class	3 2 2		
额定电压 Rated Voltage [V]	500 630 1000		
额定电流 Rated Current [A]	41 41 41		
额定冲击电压 Impulse withstand voltage [KV]	6 6 6		
导线截面积 Conductor cross section	硬质导线 Solid [mm ²]	0.2~6.0	
	柔性导线 Flexible [mm ²]	0.2~6.0	
材料 Material			
绝缘材料 Insulation Material	PA66		
阻燃等级 Flame retardant rating	UL94V-0		
导体材料 Conductor Material	Copper alloy		
导体表面镀层 Plating of conductor surface	Sn plated		
一般参数 Other Data			
间距/极数 Pitch/Poles [mm]/[P]	7.5/1~16		
剥线长度 Stripping Length [mm]	11~12		
螺丝/扭矩 Screw/Torque(Max) [N.m]	/		
工作温度 Operating temperature [°C]	-40~+105		
焊锡温度 Soldering temperature	260°C/5S		
引针尺寸 Pin dimensions [mm]	1.4*1.0		
PCB板孔径 PCB Hole Diameter [mm]	Ø2.2		





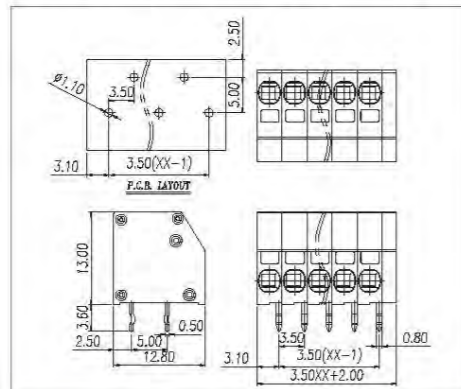
Pitch: 10.0mm

UL/CUL 技术参数 UL/CUL Technical Data		等级		B	C	D
额定电压	Rated Voltage [V]	300	150	300		
额定电流	Rated Current [A]	30	30	10		
接线范围 Wire Range	单芯线 Solid [AWG]	24~10				
	多芯线 Stranded [AWG]	24~10				
耐电压	Dielectric Voltage-Withstand	1.6KV				
IEC 技术参数 IEC Technical Data		等级		B	C	D
额定电压	Rated Voltage [V]	630	1000	1000		
额定电流	Rated Current [A]	41	41	41		
额定冲击电压	Impulse withstand voltage [KV]	8	8	8		
导线截面积 Conductor cross section	硬质导线 Solid [mm ²]	0.2~6.0				
	柔性导线 Flexible [mm ²]	0.2~6.0				
材料 Material		绝缘材料 Insulation Material PA66				
阻燃等级	Flame retardant rating	UL94V-0				
导体材料	Conductor Material	Copper alloy				
导体表面镀层	Plating of conductor surface	Sn plated				
一般参数 Other Data		间距/极数	Pitch/Poles [mm]/[P]	10.0/2~12		
剥线长度	Stripping Length [mm]	11~12				
螺丝/扭矩	Screw/Torque(Max) [N.m]	/				
工作温度	Operating temperature [°C]	-40~+105				
焊锡温度	Soldering temperature	260°C/5S				
引针尺寸	Pin dimensions [mm]	1.4*1.0				
PCB板孔径	PCB Hole Diameter [mm]	Ø2.2				



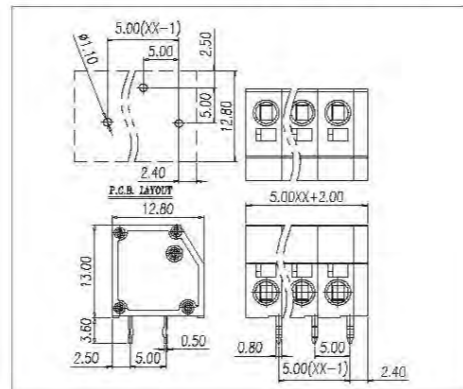
Pitch: 3.5mm

UL/CUL 技术参数 UL/CUL Technical Data		等级		B	C	D
额定电压	Rated Voltage [V]	300	-	300		
额定电流	Rated Current [A]	8	-	8		
接线范围 Wire Range	单芯线 Solid [AWG]	20-16				
	多芯线 Stranded [AWG]	20-16				
耐电压	Dielectric Voltage-Withstand	1.6KV				
IEC 技术参数 IEC Technical Data		等级		B	C	D
额定电压	Rated Voltage [V]	320	320	630		
额定电流	Rated Current [A]	17.5	17.5	17.5		
额定冲击电压	Impulse withstand voltage [KV]	4	4	4		
导线截面积 Conductor cross section	硬质导线 Solid [mm ²]	0.2~1.5				
	柔性导线 Flexible [mm ²]	0.2~1.5				
材料 Material		绝缘材料 Insulation Material PA66				
阻燃等级	Flame retardant rating	UL94V-0				
导体材料	Conductor Material	Copper alloy				
导体表面镀层	Plating of conductor surface	Sn plated				
一般参数 Other Data		间距/极数	Pitch/Poles [mm]/[P]	3.5/2~24		
剥线长度	Stripping Length [mm]	7~8				
螺丝/扭矩	Screw/Torque(Max) [N.m]	/				
工作温度	Operating temperature [°C]	-40~+105				
焊锡温度	Soldering temperature	260°C/5S				
引针尺寸	Pin dimensions [mm]	0.5*0.8				
PCB板孔径	PCB Hole Diameter [mm]	Ø1.1				



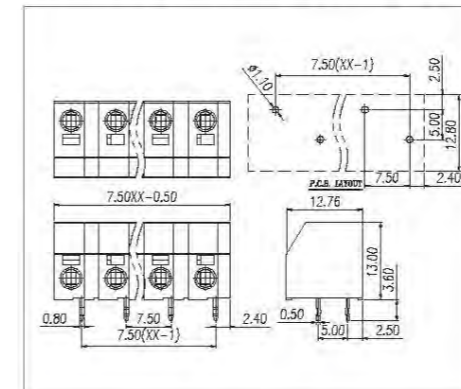
Pitch: 5.0mm

UL/CUL 技术参数 UL/CUL Technical Data		等级		B	C	D
额定电压	Rated Voltage [V]	300	-	-		
额定电流	Rated Current [A]	8	-	-		
接线范围 Wire Range	单芯线 Solid [AWG]	20-16				
	多芯线 Stranded [AWG]	20-16				
耐电压	Dielectric Voltage-Withstand	1.6KV				
IEC 技术参数 IEC Technical Data		等级		B	C	D
额定电压	Rated Voltage [V]	320	320	320		
额定电流	Rated Current [A]	17.5	17.5	17.5		
额定冲击电压	Impulse withstand voltage [KV]	4	4	4		
导线截面积 Conductor cross section	硬质导线 Solid [mm ²]	0.2~1.5				
	柔性导线 Flexible [mm ²]	0.2~1.5				
材料 Material		绝缘材料 Insulation Material PA66				
阻燃等级	Flame retardant rating	UL94V-0				
导体材料	Conductor Material	Copper alloy				
导体表面镀层	Plating of conductor surface	Sn plated				
一般参数 Other Data		间距/极数	Pitch/Poles [mm]/[P]	5.0/2~24		
剥线长度	Stripping Length [mm]	7~8				
螺丝/扭矩	Screw/Torque(Max) [N.m]	/				
工作温度	Operating temperature [°C]	-40~+105				
焊锡温度	Soldering temperature	260°C/5S				
引针尺寸	Pin dimensions [mm]	0.5*0.8				
PCB板孔径	PCB Hole Diameter [mm]	Ø1.1				



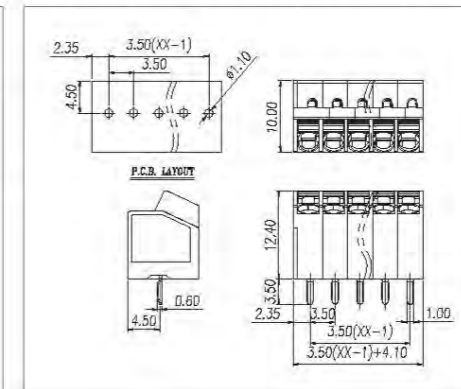
Pitch: 7.5mm

UL/CUL 技术参数 UL/CUL Technical Data		等级		B	C	D
额定电压	Rated Voltage [V]	300	-	-		
额定电流	Rated Current [A]	8	-	-		
接线范围 Wire Range	单芯线 Solid [AWG]	20-16				
	多芯线 Stranded [AWG]	20-16				
耐电压	Dielectric Voltage-Withstand	1.6KV				
IEC 技术参数 IEC Technical Data		等级		B	C	D
额定电压	Rated Voltage [V]	320	320	320		
额定电流	Rated Current [A]	17.5	17.5	17.5		
额定冲击电压	Impulse withstand voltage [KV]	4	4	4		
导线截面积 Conductor cross section	硬质导线 Solid [mm ²]	0.2~1.5				
	柔性导线 Flexible [mm ²]	0.2~1.5				
材料 Material		绝缘材料 Insulation Material PA66				
阻燃等级	Flame retardant rating	UL94V-0				
导体材料	Conductor Material	Copper alloy				
导体表面镀层	Plating of conductor surface	Sn plated				
一般参数 Other Data		间距/极数	Pitch/Poles [mm]/[P]	7.5/2~24		
剥线长度	Stripping Length [mm]	7~8				
螺丝/扭矩	Screw/Torque(Max) [N.m]	/				
工作温度	Operating temperature [°C]	-40~+105				
焊锡温度	Soldering temperature	260°C/5S				
引针尺寸	Pin dimensions [mm]	0.5*0.8				
PCB板孔径	PCB Hole Diameter [mm]	Ø1.1				



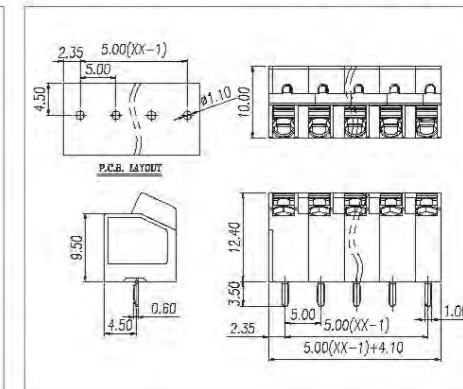
Pitch: 3.5mm

UL/CUL 技术参数 UL/CUL Technical Data		等级		B	C	D
额定电压	Rated Voltage [V]	300	-	300		
额定电流	Rated Current [A]	10	-	10		
接线范围 Wire Range	单芯线 Solid [AWG]	26-16				
	多芯线 Stranded [AWG]	26-16				
耐电压	Dielectric Voltage-Withstand	1.6KV				
IEC 技术参数 IEC Technical Data		等级		B	C	D
额定电压	Rated Voltage [V]	160	200	400		
额定电流	Rated Current [A]	9	9	9		
额定冲击电压	Impulse withstand voltage [KV]	2.5	2.5	2.5		
导线截面积 Conductor cross section	硬质导线 Solid [mm ²]	0.2~1.5				
	柔性导线 Flexible [mm ²]	0.2~1.5				
材料 Material		绝缘材料 Insulation Material PA66				
阻燃等级	Flame retardant rating	UL94V-0				
导体材料	Conductor Material	Copper alloy				
导体表面镀层	Plating of conductor surface	Sn plated				
一般参数 Other Data		间距/极数	Pitch/Poles [mm]/[P]	3.5/2~30		
剥线长度	Stripping Length [mm]	10				
螺丝/扭矩	Screw/Torque(Max) [N.m]	/				
工作温度	Operating temperature [°C]	-40~+105				
焊锡温度	Soldering temperature	260°C/5S				
引针尺寸	Pin dimensions [mm]	0.6*1.0				
PCB板孔径	PCB Hole Diameter [mm]	Ø1.1				



Pitch: 5.0mm

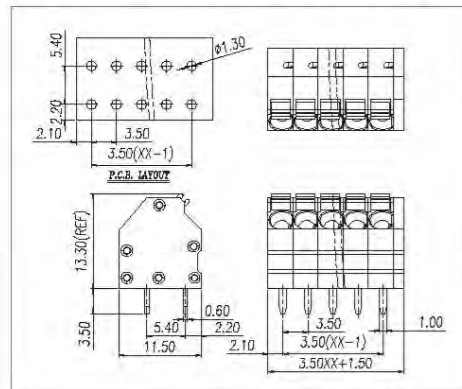
UL/CUL 技术参数 UL/CUL Technical Data		等级		B	C	D
额定电压	Rated Voltage [V]	300	-	300		
额定电流	Rated Current [A]	10	-	10		
接线范围 Wire Range	单芯线 Solid [AWG]	26-16				
	多芯线 Stranded [AWG]	26-16				
耐电压	Dielectric Voltage-Withstand	1.6KV				
IEC 技术参数 IEC Technical Data		等级		B	C	D
额定电压	Rated Voltage [V]	250	320	630		
额定电流	Rated Current [A]	9	9	9		
额定冲击电压	Impulse withstand voltage [KV]	2.5	2.5	2.5		
导线截面积 Conductor cross section	硬质导线 Solid [mm ²]	0.2~1.5				
	柔性导线 Flexible [mm ²]	0.2~1.5				
材料 Material		绝缘材料 Insulation Material PA66				
阻燃等级	Flame retardant rating	UL94V-0				
导体材料	Conductor Material	Copper alloy				
导体表面镀层	Plating of conductor surface	Sn plated				
一般参数 Other Data		间距/极数	Pitch/Poles [mm]/[P]	5.0/2~30		
剥线长度	Stripping Length [mm]	10				
螺丝/扭矩	Screw/Torque(Max) [N.m]	/				
工作温度	Operating temperature [°C]	-40~+105				
焊锡温度	Soldering temperature	260°C/5S				
引针尺寸	Pin dimensions [mm]	0.6*1.0				
PCB板孔径	PCB Hole Diameter [mm]	Ø1.1				





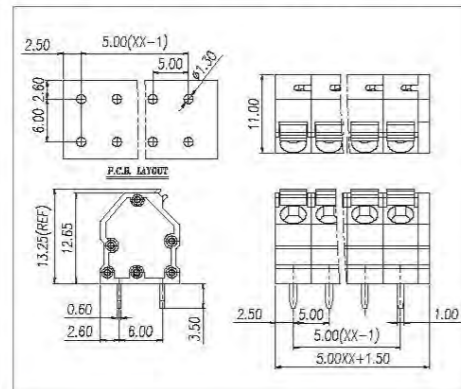
Pitch:3.5mm

UL/CUL 技术参数 UL/CUL Technical Data		B	C	D
等级 Use Group				
额定电压 Rated Voltage [V]		300	-	300
额定电流 Rated Current [A]		10	-	10
接线范围 Wire Range	单芯线 Solid [AWG]	28-16		
	多芯线 Stranded [AWG]	28-16		
耐电压 Dielectric Voltage-Withstand		1.6KV		
IEC 技术参数 IEC Technical Data				
过电压类别 Overvoltage Category		II	III	III
污染等级 Contamination Class		3	2	2
额定电压 Rated Voltage [V]		160	160	320
额定电流 Rated Current [A]		14	14	14
额定冲击电压 Impulse withstand voltage [KV]		2.5	2.5	2.5
导线截面积 Conductor cross section	硬质导线 Solid [mm ²]	0.2~1.5		
	柔性导线 Flexible [mm ²]	0.2~1.5		
材料 Material				
绝缘材料 Insulation Material		PA66		
阻燃等级 Flame retardant rating		UL94V-0		
导体材料 Conductor Material		Copper alloy		
导体表面镀层 Plating of conductor surface		Sn plated		
一般参数 Other Data				
间距/极数 Pitch/Poles [mm]/[P]		3.5/2~24		
剥线长度 Stripping Length [mm]		8-9		
螺丝/扭矩 Screw/Torque(Max) [N.m]		/		
工作温度 Operating temperature [°C]		-40~+105		
焊锡温度 Soldering temperature		260°C/5S		
引针尺寸 Pin dimensions [mm]		0.6*1.0		
PCB板孔径 PCB Hole Diameter [mm]		Ø1.3		



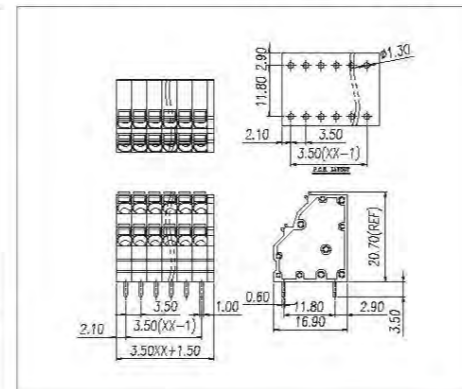
Pitch:5.0mm

UL/CUL 技术参数 UL/CUL Technical Data		B	C	D
等级 Use Group				
额定电压 Rated Voltage [V]		300	-	300
额定电流 Rated Current [A]		10	-	10
接线范围 Wire Range	单芯线 Solid [AWG]	28-16		
	多芯线 Stranded [AWG]	28-16		
耐电压 Dielectric Voltage-Withstand		1.6KV		
IEC 技术参数 IEC Technical Data				
过电压类别 Overvoltage Category		III	III	III
污染等级 Contamination Class		3	2	2
额定电压 Rated Voltage [V]		320	320	320
额定电流 Rated Current [A]		17.5	17.5	17.5
额定冲击电压 Impulse withstand voltage [KV]		4	4	4
导线截面积 Conductor cross section	硬质导线 Solid [mm ²]	0.2~1.5		
	柔性导线 Flexible [mm ²]	0.2~1.5		
材料 Material				
绝缘材料 Insulation Material		PA66		
阻燃等级 Flame retardant rating		UL94V-0		
导体材料 Conductor Material		Copper alloy		
导体表面镀层 Plating of conductor surface		Sn plated		
一般参数 Other Data				
间距/极数 Pitch/Poles [mm]/[P]		5.0/1~24		
剥线长度 Stripping Length [mm]		8-9		
螺丝/扭矩 Screw/Torque(Max) [N.m]		/		
工作温度 Operating temperature [°C]		-40~+105		
焊锡温度 Soldering temperature		260°C/5S		
引针尺寸 Pin dimensions [mm]		0.6*1.0		
PCB板孔径 PCB Hole Diameter [mm]		Ø1.3		



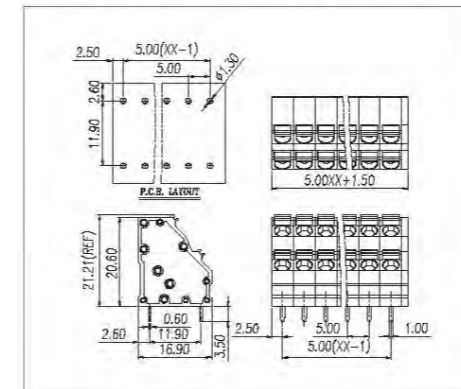
Pitch:3.5mm

UL/CUL 技术参数 UL/CUL Technical Data		B	C	D
等级 Use Group				
额定电压 Rated Voltage [V]		300	-	300
额定电流 Rated Current [A]		10	-	10
接线范围 Wire Range	单芯线 Solid [AWG]	28-16		
	多芯线 Stranded [AWG]	28-16		
耐电压 Dielectric Voltage-Withstand		1.6KV		
IEC 技术参数 IEC Technical Data				
过电压类别 Overvoltage Category		III	III	III
污染等级 Contamination Class		3	2	2
额定电压 Rated Voltage [V]		160	160	320
额定电流 Rated Current [A]		14	14	14
额定冲击电压 Impulse withstand voltage [KV]		4	4	4
导线截面积 Conductor cross section	硬质导线 Solid [mm ²]	0.2~1.5		
	柔性导线 Flexible [mm ²]	0.2~1.5		
材料 Material				
绝缘材料 Insulation Material		PA66		
阻燃等级 Flame retardant rating		UL94V-0		
导体材料 Conductor Material		Copper alloy		
导体表面镀层 Plating of conductor surface		Sn plated		
一般参数 Other Data				
间距/极数 Pitch/Poles [mm]/[P]		3.5/2~2*24		
剥线长度 Stripping Length [mm]		8-9		
螺丝/扭矩 Screw/Torque(Max) [N.m]		/		
工作温度 Operating temperature [°C]		-40~+105		
焊锡温度 Soldering temperature		260°C/5S		
引针尺寸 Pin dimensions [mm]		0.6*1.0		
PCB板孔径 PCB Hole Diameter [mm]		Ø1.3		



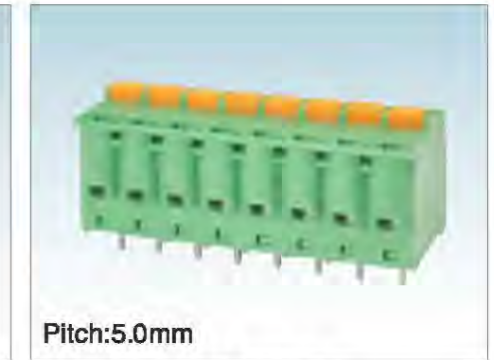
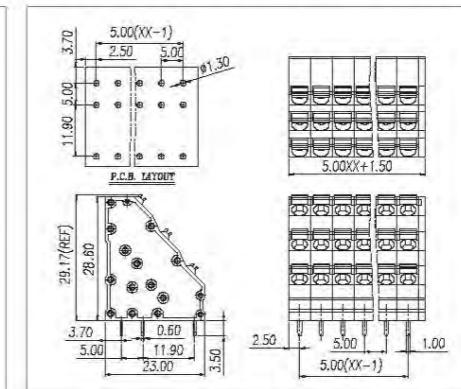
Pitch:5.0mm

UL/CUL 技术参数 UL/CUL Technical Data		B	C	D
等级 Use Group				
额定电压 Rated Voltage [V]		300	-	300
额定电流 Rated Current [A]		10	-	10
接线范围 Wire Range	单芯线 Solid [AWG]	28-16		
	多芯线 Stranded [AWG]	28-16		
耐电压 Dielectric Voltage-Withstand		1.6KV		
IEC 技术参数 IEC Technical Data				
过电压类别 Overvoltage Category		III	III	III
污染等级 Contamination Class		3	2	2
额定电压 Rated Voltage [V]		320	320	320
额定电流 Rated Current [A]		17.5	17.5	17.5
额定冲击电压 Impulse withstand voltage [KV]		4	4	4
导线截面积 Conductor cross section	硬质导线 Solid [mm ²]	0.2~1.5		
	柔性导线 Flexible [mm ²]	0.2~1.5		
材料 Material				
绝缘材料 Insulation Material		PA66		
阻燃等级 Flame retardant rating		UL94V-0		
导体材料 Conductor Material		Copper alloy		
导体表面镀层 Plating of conductor surface		Sn plated		
一般参数 Other Data				
间距/极数 Pitch/Poles [mm]/[P]		5.0/2~1-2*24		
剥线长度 Stripping Length [mm]		8-9		
螺丝/扭矩 Screw/Torque(Max) [N.m]		/		
工作温度 Operating temperature [°C]		-40~+105		
焊锡温度 Soldering temperature		260°C/5S		
引针尺寸 Pin dimensions [mm]		0.6*1.0		
PCB板孔径 PCB Hole Diameter [mm]		Ø1.3		



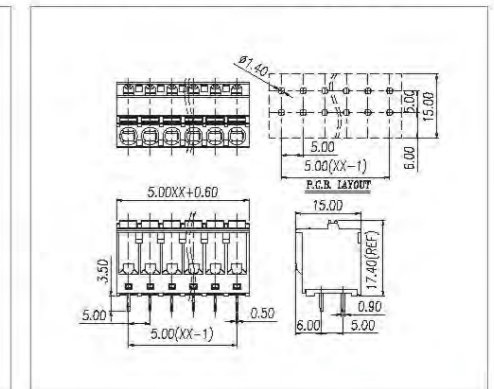
Pitch:5.0mm

UL/CUL 技术参数 UL/CUL Technical Data		B	C	D
等级 Use Group				
额定电压 Rated Voltage [V]		300	-	300
额定电流 Rated Current [A]		10	-	10
接线范围 Wire Range	单芯线 Solid [AWG]	28-16		
	多芯线 Stranded [AWG]	28-16		
耐电压 Dielectric Voltage-Withstand		1.6KV		
IEC 技术参数 IEC Technical Data				
过电压类别 Overvoltage Category		III	III	III
污染等级 Contamination Class		3	2	2
额定电压 Rated Voltage [V]		320	320	320
额定电流 Rated Current [A]		17.5	17.5	17.5
额定冲击电压 Impulse withstand voltage [KV]		4	4	4
导线截面积 Conductor cross section	硬质导线 Solid [mm ²]	0.2~1.5		
	柔性导线 Flexible [mm ²]	0.2~1.5		
材料 Material				
绝缘材料 Insulation Material		PA66		
阻燃等级 Flame retardant rating		UL94V-0		
导体材料 Conductor Material		Copper alloy		
导体表面镀层 Plating of conductor surface		Sn plated		
一般参数 Other Data				
间距/极数 Pitch/Poles [mm]/[P]		5.0/3~1-3*24		
剥线长度 Stripping Length [mm]		8-9		
螺丝/扭矩 Screw/Torque(Max) [N.m]		/		
工作温度 Operating temperature [°C]		-40~+105		
焊锡温度 Soldering temperature		260°C/5S		
引针尺寸 Pin dimensions [mm]		0.6*1.0		
PCB板孔径 PCB Hole Diameter [mm]		Ø1.3		



Pitch:5.0mm

UL/CUL 技术参数 UL/CUL Technical Data		B	C	D
等级 Use Group				
额定电压 Rated Voltage [V]		300	-	-
额定电流 Rated Current [A]		12	-	-
接线范围 Wire Range	单芯线 Solid [AWG]	28-12		
	多芯线 Stranded [AWG]	28-12		
耐电压 Dielectric Voltage-Withstand		1.6KV		
IEC 技术参数 IEC Technical Data				
过电压类别 Overvoltage Category		III	III	III
污染等级 Contamination Class		3	2	2
额定电压 Rated Voltage [V]		-	320	-
额定电流 Rated Current [A]		-	20	-
额定冲击电压 Impulse withstand voltage [KV]		4	4	4
导线截面积 Conductor cross section	硬质导线 Solid [mm ²]	0.2~2.5		
	柔性导线 Flexible [mm ²]	0.2~2.5		
材料 Material				
绝缘材料 Insulation Material		PA66		
阻燃等级 Flame retardant rating		UL94V-0		
导体材料 Conductor Material		Copper alloy		
导体表面镀层 Plating of conductor surface		Sn plated		
一般参数 Other Data				
间距/极数 Pitch/Poles [mm]/[P]		5.0/02~24		
剥线长度 Stripping Length [mm]		7-8		
螺丝/扭矩 Screw/Torque(Max) [N.m]		/		
工作温度 Operating temperature [°C]		-40~+105		
焊锡温度 Soldering temperature		260°C/5S		
引针尺寸 Pin dimensions [mm]		0.5*0.9		
PCB板孔径 PCB Hole Diameter [mm]		Ø1.4		





插拔式接线端子 PLUG-IN TERMINAL BLOCK

插拔式接线端子，可以连接截面为0.08mm²至16mm²的所有类型的导线，间距2.5mm至10.16mm可供选择，可根据需要选择进线方向，连接方向，插拔方向。产品设计符合IEC60998、IEC61984、UL1059、UL486E、CSA C22.2 No.158等国际标准。

Plug-in terminal blocks, provide the wire size from 0.08mm² to 16mm². Available with different pitches from 2.5mm to 10.16mm. Choosing insert direction, contact direction, Plug-in direction according to requests. The product is designed in accordance with IEC 60998, UL1059, CSA C22.2 NO.158 standards.

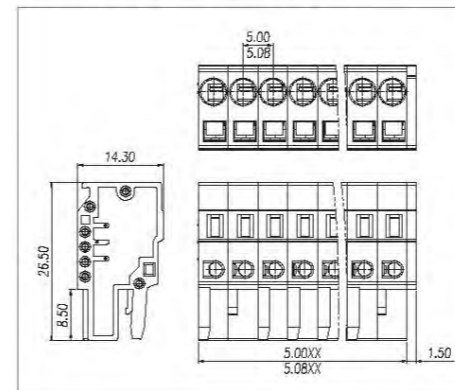
ISO14001 ISO45001 ISO9001 ISO80079-34 ISO/TS 22163



Pitch:5.0/5.08mm

WJ0401/0501-01XX

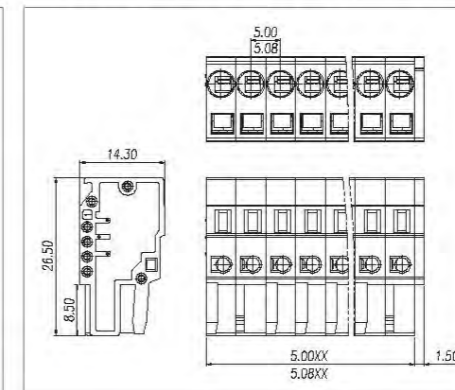
UL/CUL 技术参数 UL/CUL Technical Data		.UL-		
等级 Use Group	B C D			
额定电压 Rated Voltage [V]	300 - 300			
额定电流 Rated Current [A]	15 - 10			
接线范围 Wire Range	单芯线 Solid [AWG]	28~12		
	多芯线 Stranded [AWG]	28~12		
耐压 Dielectric Voltage-Withstand	1.6KV			
IEC 技术参数 IEC Technical Data				
过电压类别 Overvoltage Category	III III II			
污染等级 Contamination Class	3 2 2			
额定电压 Rated Voltage [V]	320 320 630			
额定电流 Rated Current [A]	16 16 16			
额定冲击电压 Impulse withstand voltage [KV]	4 4 4			
导线截面积 Conductor cross section	硬质导线 Solid [mm ²]	0.25~2.5		
	柔性导线 Flexible [mm ²]	0.25~2.5		
材料 Material				
绝缘材料 Insulation Material	PA66			
阻燃等级 Flame retardant rating	UL94V-0			
导体材料 Conductor Material	Copper alloy			
导体表面镀层 Plating of conductor surface	Sn plated			
一般参数 Other Data				
间距/极数 Pitch/Poles [mm]/[P]	5.0,5.08/2~24			
剥线长度 Stripping Length [mm]	8~9			
螺丝/扭矩 Screw/Torque(Max)[N.m]	/			
工作温度 Operating temperature [°C]	-40~+105			
焊锡温度 Soldering temperature	/			
引针尺寸 Pin dimensions [mm]	/			
PCB板孔径 PCB Hole Diameter [mm]	/			



Pitch:5.0/5.08mm

WJ0401/0501-02XX

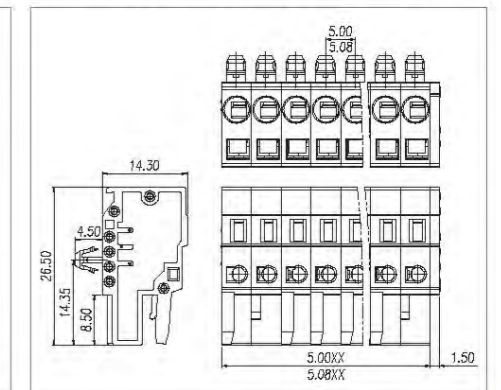
UL/CUL 技术参数 UL/CUL Technical Data		.UL-		
等级 Use Group	B C D			
额定电压 Rated Voltage [V]	300 - 300			
额定电流 Rated Current [A]	15 - 10			
接线范围 Wire Range	单芯线 Solid [AWG]	28~12		
	多芯线 Stranded [AWG]	28~12		
耐压 Dielectric Voltage-Withstand	1.6KV			
IEC 技术参数 IEC Technical Data				
过电压类别 Overvoltage Category	III III II			
污染等级 Contamination Class	3 2 2			
额定电压 Rated Voltage [V]	320 320 630			
额定电流 Rated Current [A]	16 16 16			
额定冲击电压 Impulse withstand voltage [KV]	4 4 4			
导线截面积 Conductor cross section	硬质导线 Solid [mm ²]	0.25~2.5		
	柔性导线 Flexible [mm ²]	0.25~2.5		
材料 Material				
绝缘材料 Insulation Material	PA66			
阻燃等级 Flame retardant rating	UL94V-0			
导体材料 Conductor Material	Copper alloy			
导体表面镀层 Plating of conductor surface	Sn plated			
一般参数 Other Data				
间距/极数 Pitch/Poles [mm]/[P]	5.0,5.08/2~24			
剥线长度 Stripping Length [mm]	8~9			
螺丝/扭矩 Screw/Torque(Max)[N.m]	/			
工作温度 Operating temperature [°C]	-40~+105			
焊锡温度 Soldering temperature	/			
引针尺寸 Pin dimensions [mm]	/			
PCB板孔径 PCB Hole Diameter [mm]	/			



Pitch:5.0/5.08mm

WJ0401/0501-03XX

UL/CUL 技术参数 UL/CUL Technical Data		.UL-		
等级 Use Group	B C D			
额定电压 Rated Voltage [V]	300 - 300			
额定电流 Rated Current [A]	15 - 10			
接线范围 Wire Range	单芯线 Solid [AWG]	28~12		
	多芯线 Stranded [AWG]	28~12		
耐压 Dielectric Voltage-Withstand	1.6KV			
IEC 技术参数 IEC Technical Data				
过电压类别 Overvoltage Category	III III II			
污染等级 Contamination Class	3 2 2			
额定电压 Rated Voltage [V]	320 320 630			
额定电流 Rated Current [A]	16 16 16			
额定冲击电压 Impulse withstand voltage [KV]	4 4 4			
导线截面积 Conductor cross section	硬质导线 Solid [mm ²]	0.25~2.5		
	柔性导线 Flexible [mm ²]	0.25~2.5		
材料 Material				
绝缘材料 Insulation Material	PA66			
阻燃等级 Flame retardant rating	UL94V-0			
导体材料 Conductor Material	Copper alloy			
导体表面镀层 Plating of conductor surface	Sn plated			
一般参数 Other Data				
间距/极数 Pitch/Poles [mm]/[P]	5.0,5.08/2~24			
剥线长度 Stripping Length [mm]	8~9			
螺丝/扭矩 Screw/Torque(Max)[N.m]	/			
工作温度 Operating temperature [°C]	-40~+105			
焊锡温度 Soldering temperature	/			
引针尺寸 Pin dimensions [mm]	/			
PCB板孔径 PCB Hole Diameter [mm]	/			





Pitch:7.5/7.62mm

WJ0601/0701-08XX



Pitch:5.0/5.08mm

WJ0402/0502-01XX



Pitch:5.0/5.08mm

WJ0402/0502-02XX



Pitch:5.0/5.08mm

WJ0402/0502-03XX



Pitch:5.0/5.08mm

WJ0402/0502-04XX



Pitch:5.0/5.08mm

WJ0402/0502-05XX

UL/CUL 技术参数 UL/CUL Technical Data				
等级	Use Group	B	C	D
额定电压	Rated Voltage [V]	300	-	300
额定电流	Rated Current [A]	15	-	10
接线范围 Wire Range	单芯线 Solid [AWG]	28~12		
	多芯线 Stranded [AWG]	28~12		
耐电压	Dielectric Voltage-Withstand	1.6KV		
IEC 技术参数 IEC Technical Data				
过电压类别	Overvoltage Category	III	II	II
污染等级	Contamination Class	3	2	2
额定电压	Rated Voltage [V]	320	320	630
额定电流	Rated Current [A]	16	16	16
额定冲击电压	Impulse withstand voltage [KV]	6	6	6
导线截面积 Conductor cross section	硬质导线 Solid [mm ²]	0.25~2.5		
	柔性导线 Flexible [mm ²]	0.25~2.5		
材料 Material				
绝缘材料	Insulation Material	PA66		
阻燃等级	Flame retardant rating	UL94V-0		
导体材料	Conductor Material	Copper alloy		
导体表面镀层	Plating of conductor surface	Sn plated		
一般参数 Other Data				
间距/极数	Pitch/Poles [mm]/[P]	7.5, 7.62/2~24		
剥线长度	Stripping Length [mm]	8~9		
螺丝/扭矩	Screw/Torque(Max) [N.m]	/		
工作温度	Operating temperature [°C]	-40~+105		
焊接温度	Soldering temperature	/		
引针尺寸	Pin dimensions [mm]	/		
PCB板孔径	PCB Hole Diameter [mm]	/		

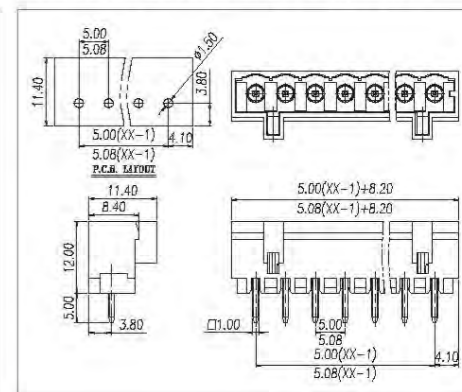
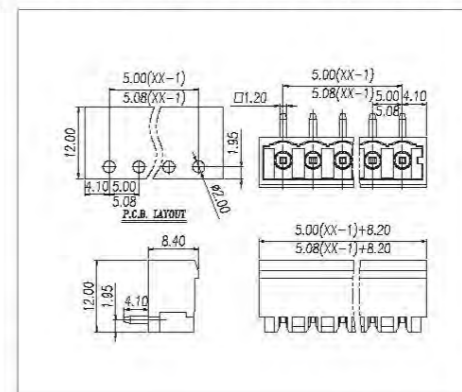
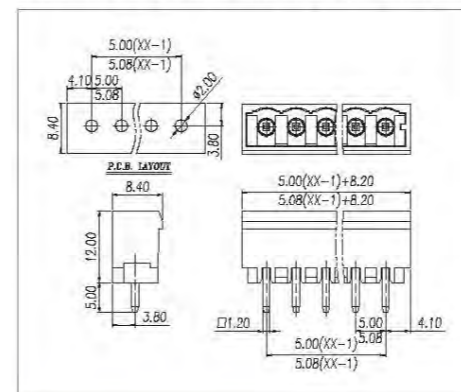
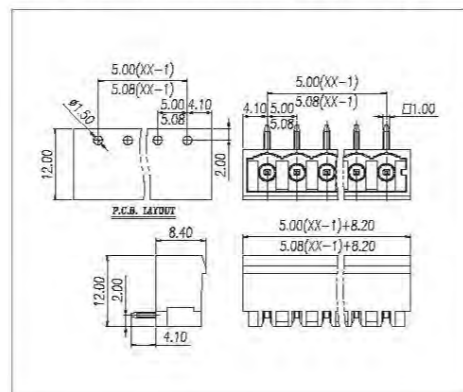
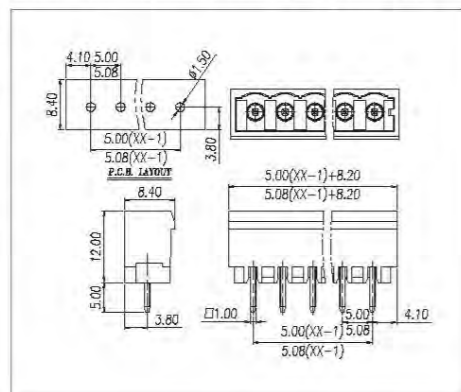
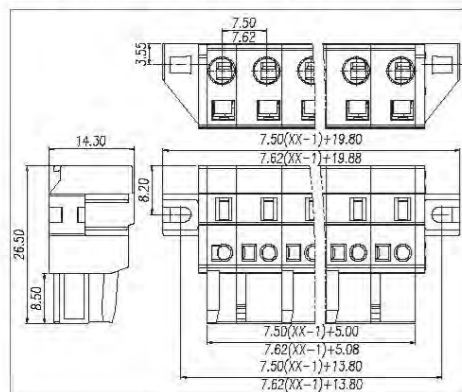
UL/CUL 技术参数 UL/CUL Technical Data				
等级	Use Group	B	C	D
额定电压	Rated Voltage [V]	300	-	300
额定电流	Rated Current [A]	15	-	10
接线范围 Wire Range	单芯线 Solid [AWG]	/		
	多芯线 Stranded [AWG]	/		
耐电压	Dielectric Voltage-Withstand	1.6KV		
IEC 技术参数 IEC Technical Data				
过电压类别	Overvoltage Category	III	II	II
污染等级	Contamination Class	3	2	2
额定电压	Rated Voltage [V]	320	320	630
额定电流	Rated Current [A]	12	12	12
额定冲击电压	Impulse withstand voltage [KV]	4	4	4
导线截面积 Conductor cross section	硬质导线 Solid [mm ²]	/		
	柔性导线 Flexible [mm ²]	/		
材料 Material				
绝缘材料	Insulation Material	PA66		
阻燃等级	Flame retardant rating	UL94V-0		
导体材料	Conductor Material	Copper alloy		
导体表面镀层	Plating of conductor surface	Sn plated		
一般参数 Other Data				
间距/极数	Pitch/Poles [mm]/[P]	5.0, 5.08/2~24		
剥线长度	Stripping Length [mm]	/		
螺丝/扭矩	Screw/Torque(Max) [N.m]	/		
工作温度	Operating temperature [°C]	-40~+105		
焊接温度	Soldering temperature	260°C/5S		
引针尺寸	Pin dimensions [mm]	1.0*1.0		
PCB板孔径	PCB Hole Diameter [mm]	Ø1.5		

UL/CUL 技术参数 UL/CUL Technical Data				
等级	Use Group	B	C	D
额定电压	Rated Voltage [V]	300	-	300
额定电流	Rated Current [A]	15	-	10
接线范围 Wire Range	单芯线 Solid [AWG]	/		
	多芯线 Stranded [AWG]	/		
耐电压	Dielectric Voltage-Withstand	1.6KV		
IEC 技术参数 IEC Technical Data				
过电压类别	Overvoltage Category	III	II	II
污染等级	Contamination Class	3	2	2
额定电压	Rated Voltage [V]	320	320	630
额定电流	Rated Current [A]	12	12	12
额定冲击电压	Impulse withstand voltage [KV]	4	4	4
导线截面积 Conductor cross section	硬质导线 Solid [mm ²]	/		
	柔性导线 Flexible [mm ²]	/		
材料 Material				
绝缘材料	Insulation Material	PA66		
阻燃等级	Flame retardant rating	UL94V-0		
导体材料	Conductor Material	Copper alloy		
导体表面镀层	Plating of conductor surface	Sn plated		
一般参数 Other Data				
间距/极数	Pitch/Poles [mm]/[P]	5.0, 5.08/2~24		
剥线长度	Stripping Length [mm]	/		
螺丝/扭矩	Screw/Torque(Max) [N.m]	/		
工作温度	Operating temperature [°C]	-40~+105		
焊接温度	Soldering temperature	260°C/5S		
引针尺寸	Pin dimensions [mm]	1.0*1.0		
PCB板孔径	PCB Hole Diameter [mm]	Ø1.5		

UL/CUL 技术参数 UL/CUL Technical Data				
等级	Use Group	B	C	D
额定电压	Rated Voltage [V]	300	-	300
额定电流	Rated Current [A]	15	-	10
接线范围 Wire Range	单芯线 Solid [AWG]	/		
	多芯线 Stranded [AWG]	/		
耐电压	Dielectric Voltage-Withstand	1.6KV		
IEC 技术参数 IEC Technical Data				
过电压类别	Overvoltage Category	III	II	II
污染等级	Contamination Class	3	2	2
额定电压	Rated Voltage [V]	250	320	630
额定电流	Rated Current [A]	16	16	16
额定冲击电压	Impulse withstand voltage [KV]	4	4	4
导线截面积 Conductor cross section	硬质导线 Solid [mm ²]	/		
	柔性导线 Flexible [mm ²]	/		
材料 Material				
绝缘材料	Insulation Material	PA66		
阻燃等级	Flame retardant rating	UL94V-0		
导体材料	Conductor Material	Copper alloy		
导体表面镀层	Plating of conductor surface	Sn plated		
一般参数 Other Data				
间距/极数	Pitch/Poles [mm]/[P]	5.0, 5.08/2~24		
剥线长度	Stripping Length [mm]	/		
螺丝/扭矩	Screw/Torque(Max) [N.m]	/		
工作温度	Operating temperature [°C]	-40~+105		
焊接温度	Soldering temperature	260°C/5S		
引针尺寸	Pin dimensions [mm]	1.2*1.2		
PCB板孔径	PCB Hole Diameter [mm]	Ø2.0		

UL/CUL 技术参数 UL/CUL Technical Data				
等级	Use Group	B	C	D
额定电压	Rated Voltage [V]	300	-	300
额定电流	Rated Current [A]	15	-	10
接线范围 Wire Range	单芯线 Solid [AWG]	/		
	多芯线 Stranded [AWG]	/		
耐电压	Dielectric Voltage-Withstand	1.6KV		
IEC 技术参数 IEC Technical Data				
过电压类别	Overvoltage Category	III	II	II
污染等级	Contamination Class	3	2	2
额定电压	Rated Voltage [V]	250	320	630
额定电流	Rated Current [A]	16	16	16
额定冲击电压	Impulse withstand voltage [KV]	4	4	4
导线截面积 Conductor cross section	硬质导线 Solid [mm ²]	/		
	柔性导线 Flexible [mm ²]	/		
材料 Material				
绝缘材料	Insulation Material	PA66		
阻燃等级	Flame retardant rating	UL94V-0		
导体材料	Conductor Material	Copper alloy		
导体表面镀层	Plating of conductor surface	Sn plated		
一般参数 Other Data				
间距/极数	Pitch/Poles [mm]/[P]	5.0, 5.08/2~24		
剥线长度	Stripping Length [mm]	/		
螺丝/扭矩	Screw/Torque(Max) [N.m]	/		
工作温度	Operating temperature [°C]	-40~+105		
焊接温度	Soldering temperature	260°C/5S		
引针尺寸	Pin dimensions [mm]	1.2*1.2		
PCB板孔径	PCB Hole Diameter [mm]	Ø2.0		

UL/CUL 技术参数 UL/CUL Technical Data				
等级	Use Group	B	C	D
额定电压	Rated Voltage [V]	300	-	300
额定电流	Rated Current [A]	15	-	10
接线范围 Wire Range	单芯线 Solid [AWG]	/		
	多芯线 Stranded [AWG]	/		
耐电压	Dielectric Voltage-Withstand	1.6KV		
IEC 技术参数 IEC Technical Data				
过电压类别	Overvoltage Category	III	II	II
污染等级	Contamination Class	3	2	2
额定电压	Rated Voltage [V]	320	320	630
额定电流	Rated Current [A]	12	12	12
额定冲击电压	Impulse withstand voltage [KV]	4	4	4
导线截面积 Conductor cross section	硬质导线 Solid [mm ²]	/		
	柔性导线 Flexible [mm ²]	/		
材料 Material				
绝缘材料	Insulation Material	PA66		
阻燃等级	Flame retardant rating	UL94V-0		
导体材料	Conductor Material	Copper alloy		
导体表面镀层	Plating of conductor surface	Sn plated		
一般参数 Other Data				
间距/极数	Pitch/Poles [mm]/[P]	5.0, 5.08/2~24		
剥线长度	Stripping Length [mm]	/		
螺丝/扭矩	Screw/Torque(Max) [N.m]	/		
工作温度	Operating temperature [°C]	-40~+105		
焊接温度	Soldering temperature	260°C/5S		
引针尺寸	Pin dimensions [mm]	1.0*1.0		
PCB板孔径	PCB Hole Diameter [mm]	Ø1.5		





WJ0403/0503-02XX

WJ0403/0503-03XX

WJ0403/0503-04XX

WJ0403/0503-05XX

WJ0403/0503-06XX

WJ0603/0703-01XX

UL/CUL 技术参数 UL/CUL Technical Data		UL/CUL		
等级 Use Group	B C D			
额定电压 Rated Voltage [V]	300 - 300			
额定电流 Rated Current [A]	15 - 10			
接线范围 Wire Range	单芯线 Solid [AWG]	28~12		
	多芯线 Stranded [AWG]	28~12		
耐电压 Dielectric Voltage-Withstand	1.6KV			
IEC 技术参数 IEC Technical Data		IEC		
过电压类别 Overvoltage Category	III IIII IIII			
污染等级 Contamination Class	3 2 2			
额定电压 Rated Voltage [V]	320 320 630			
额定电流 Rated Current [A]	12 12 12			
额定冲击电压 Impulse withstand voltage [KV]	4 4 4			
导线截面积 Conductor cross section	硬质导线 Solid [mm²]	0.25~2.5		
	柔性导线 Flexible [mm²]	0.25~2.5		
材料 Material		Material		
绝缘材料 Insulation Material	PA66			
阻燃等级 Flame retardant rating	UL94V-0			
导体材料 Conductor Material	Copper alloy			
导体表面镀层 Plating of conductor surface	Sn plated			
一般参数 Other Data		Other Data		
间距/极数 Pitch/Poles [mm]/[P]	5.0,5.08/2~24			
剥线长度 Stripping Length [mm]	8~9			
螺丝/扭矩 Screw/Torque(Max) [N.m]	/			
工作温度 Operating temperature [°C]	-40~+105			
焊接温度 Soldering temperature	/			
引针尺寸 Pin dimensions [mm]	/			
PCB板孔径 PCB Hole Diameter [mm]	/			

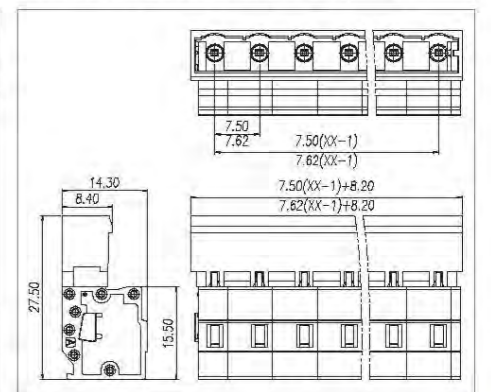
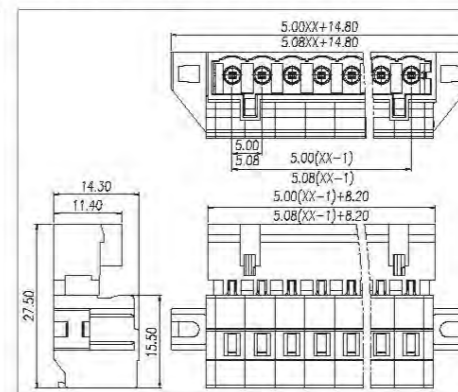
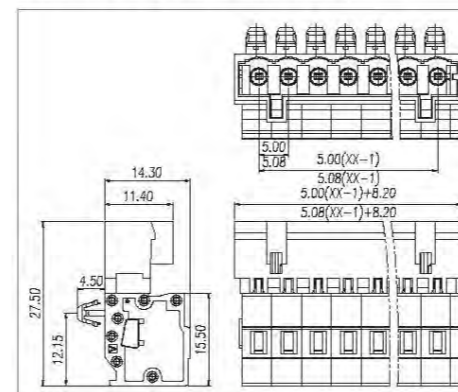
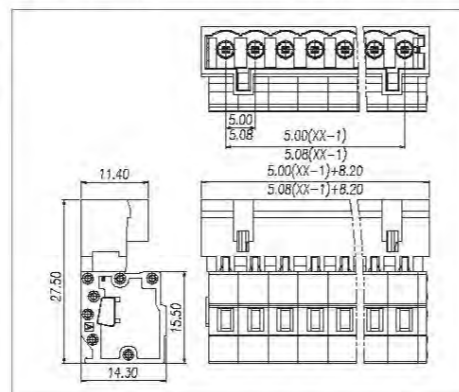
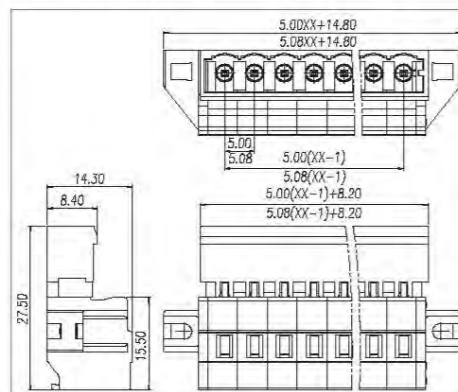
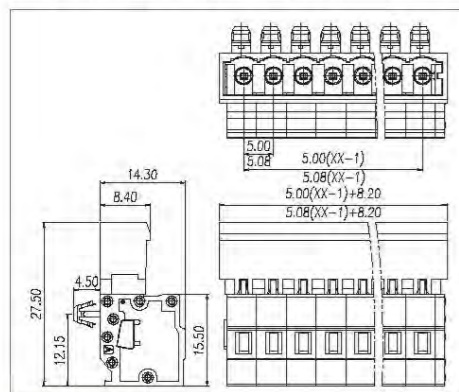
UL/CUL 技术参数 UL/CUL Technical Data		UL/CUL		
等级 Use Group	B C D			
额定电压 Rated Voltage [V]	300 - 300			
额定电流 Rated Current [A]	15 - 10			
接线范围 Wire Range	单芯线 Solid [AWG]	28~12		
	多芯线 Stranded [AWG]	28~12		
耐电压 Dielectric Voltage-Withstand	1.6KV			
IEC 技术参数 IEC Technical Data		IEC		
过电压类别 Overvoltage Category	III IIII IIII			
污染等级 Contamination Class	3 2 2			
额定电压 Rated Voltage [V]	320 320 630			
额定电流 Rated Current [A]	12 12 12			
额定冲击电压 Impulse withstand voltage [KV]	4 4 4			
导线截面积 Conductor cross section	硬质导线 Solid [mm²]	0.25~2.5		
	柔性导线 Flexible [mm²]	0.25~2.5		
材料 Material		Material		
绝缘材料 Insulation Material	PA66			
阻燃等级 Flame retardant rating	UL94V-0			
导体材料 Conductor Material	Copper alloy			
导体表面镀层 Plating of conductor surface	Sn plated			
一般参数 Other Data		Other Data		
间距/极数 Pitch/Poles [mm]/[P]	5.0,5.08/2~24			
剥线长度 Stripping Length [mm]	8~9			
螺丝/扭矩 Screw/Torque(Max) [N.m]	/			
工作温度 Operating temperature [°C]	-40~+105			
焊接温度 Soldering temperature	/			
引针尺寸 Pin dimensions [mm]	/			
PCB板孔径 PCB Hole Diameter [mm]	/			

UL/CUL 技术参数 UL/CUL Technical Data		UL/CUL		
等级 Use Group	B C D			
额定电压 Rated Voltage [V]	300 - 300			
额定电流 Rated Current [A]	15 - 10			
接线范围 Wire Range	单芯线 Solid [AWG]	28~12		
	多芯线 Stranded [AWG]	28~12		
耐电压 Dielectric Voltage-Withstand	1.6KV			
IEC 技术参数 IEC Technical Data		IEC		
过电压类别 Overvoltage Category	III IIII IIII			
污染等级 Contamination Class	3 2 2			
额定电压 Rated Voltage [V]	320 320 630			
额定电流 Rated Current [A]	12 12 12			
额定冲击电压 Impulse withstand voltage [KV]	4 4 4			
导线截面积 Conductor cross section	硬质导线 Solid [mm²]	0.25~2.5		
	柔性导线 Flexible [mm²]	0.25~2.5		
材料 Material		Material		
绝缘材料 Insulation Material	PA66			
阻燃等级 Flame retardant rating	UL94V-0			
导体材料 Conductor Material	Copper alloy			
导体表面镀层 Plating of conductor surface	Sn plated			
一般参数 Other Data		Other Data		
间距/极数 Pitch/Poles [mm]/[P]	5.0,5.08/2~24			
剥线长度 Stripping Length [mm]	8~9			
螺丝/扭矩 Screw/Torque(Max) [N.m]	/			
工作温度 Operating temperature [°C]	-40~+105			
焊接温度 Soldering temperature	/			
引针尺寸 Pin dimensions [mm]	/			
PCB板孔径 PCB Hole Diameter [mm]	/			

UL/CUL 技术参数 UL/CUL Technical Data		UL/CUL		
等级 Use Group	B C D			
额定电压 Rated Voltage [V]	300 - 300			
额定电流 Rated Current [A]	15 - 10			
接线范围 Wire Range	单芯线 Solid [AWG]	28~12		
	多芯线 Stranded [AWG]	28~12		
耐电压 Dielectric Voltage-Withstand	1.6KV			
IEC 技术参数 IEC Technical Data		IEC		
过电压类别 Overvoltage Category	III IIII IIII			
污染等级 Contamination Class	3 2 2			
额定电压 Rated Voltage [V]	320 320 630			
额定电流 Rated Current [A]	12 12 12			
额定冲击电压 Impulse withstand voltage [KV]	4 4 4			
导线截面积 Conductor cross section	硬质导线 Solid [mm²]	0.25~2.5		
	柔性导线 Flexible [mm²]	0.25~2.5		
材料 Material		Material		
绝缘材料 Insulation Material	PA66			
阻燃等级 Flame retardant rating	UL94V-0			
导体材料 Conductor Material	Copper alloy			
导体表面镀层 Plating of conductor surface	Sn plated			
一般参数 Other Data		Other Data		
间距/极数 Pitch/Poles [mm]/[P]	5.0,5.08/2~24			
剥线长度 Stripping Length [mm]	8~9			
螺丝/扭矩 Screw/Torque(Max) [N.m]	/			
工作温度 Operating temperature [°C]	-40~+105			
焊接温度 Soldering temperature	/			
引针尺寸 Pin dimensions [mm]	/			
PCB板孔径 PCB Hole Diameter [mm]	/			

UL/CUL 技术参数 UL/CUL Technical Data		UL/CUL		
等级 Use Group	B C D			
额定电压 Rated Voltage [V]	300 - 300			
额定电流 Rated Current [A]	15 - 10			
接线范围 Wire Range	单芯线 Solid [AWG]	28~12		
	多芯线 Stranded [AWG]	28~12		
耐电压 Dielectric Voltage-Withstand	1.6KV			
IEC 技术参数 IEC Technical Data		IEC		
过电压类别 Overvoltage Category	III IIII IIII			
污染等级 Contamination Class	3 2 2			
额定电压 Rated Voltage [V]	320 320 630			
额定电流 Rated Current [A]	12 12 12			
额定冲击电压 Impulse withstand voltage [KV]	4 4 4			
导线截面积 Conductor cross section	硬质导线 Solid [mm²]	0.25~2.5		
	柔性导线 Flexible [mm²]	0.25~2.5		
材料 Material		Material		
绝缘材料 Insulation Material	PA66			
阻燃等级 Flame retardant rating	UL94V-0			
导体材料 Conductor Material	Copper alloy			
导体表面镀层 Plating of conductor surface	Sn plated			
一般参数 Other Data		Other Data		
间距/极数 Pitch/Poles [mm]/[P]	5.0,5.08/2~24			
剥线长度 Stripping Length [mm]	8~9			
螺丝/扭矩 Screw/Torque(Max) [N.m]	/			
工作温度 Operating temperature [°C]	-40~+105			
焊接温度 Soldering temperature	/			
引针尺寸 Pin dimensions [mm]	/			
PCB板孔径 PCB Hole Diameter [mm]	/			

UL/CUL 技术参数 UL/CUL Technical Data		UL/CUL		
等级 Use Group	B C D			
额定电压 Rated Voltage [V]	300 - 300			
额定电流 Rated Current [A]	15 - 10			
接线范围 Wire Range	单芯线 Solid [AWG]	28~12		
	多芯线 Stranded [AWG]	28~12		
耐电压 Dielectric Voltage-Withstand	1.6KV			
IEC 技术参数 IEC Technical Data		IEC		
过电压类别 Overvoltage Category	III IIII IIII			
污染等级 Contamination Class	3 2 2			
额定电压 Rated Voltage [V]	320 320 630			
额定电流 Rated Current [A]	12 12 12			
额定冲击电压 Impulse withstand voltage [KV]	6 6 6			
导线截面积 Conductor cross section	硬质导线 Solid [mm²]	0.25~2.5		
	柔性导线 Flexible [mm²]	0.25~2.5		
材料 Material		Material		
绝缘材料 Insulation Material	PA66			
阻燃等级 Flame retardant rating	UL94V-0			
导体材料 Conductor Material	Copper alloy			
导体表面镀层 Plating of conductor surface	Sn plated			
一般参数 Other Data		Other Data		
间距/极数 Pitch/Poles [mm]/[P]	7.5,7.62/2~24			
剥线长度 Stripping Length [mm]	8~9			
螺丝/扭矩 Screw/Torque(Max) [N.m]	/			
工作温度 Operating temperature [°C]	-40~+105			
焊接温度 Soldering temperature	/			
引针尺寸 Pin dimensions [mm]	/			
PCB板孔径 PCB Hole Diameter [mm]	/			

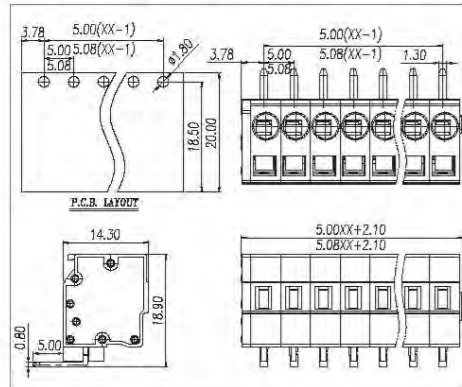




Pitch:5.0/5.08mm

WJ0404/0504-02XX

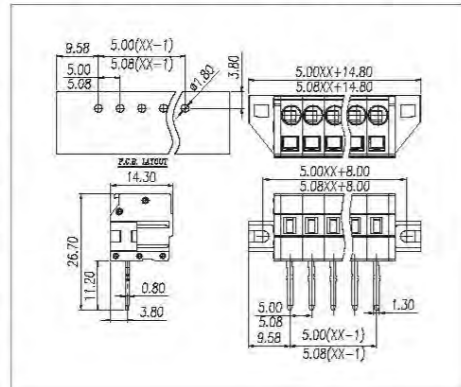
UL/CUL 技术参数 UL/CUL Technical Data		UL/CUL		
等级 Use Group	B C D	300	150	300
额定电压 Rated Voltage [V]		300	150	300
额定电流 Rated Current [A]		15	15	10
接线范围 Wire Range	单芯线 Solid [AWG]	28~12		
	多芯线 Stranded [AWG]	28~12		
耐电压 Dielectric Voltage-Withstand		1.6KV		
IEC 技术参数 IEC Technical Data		IEC		
过电压类别 Overvoltage Category	III IIII IIII	3	2	2
污染等级 Contamination Class		3	2	2
额定电压 Rated Voltage [V]		320	320	630
额定电流 Rated Current [A]		12	12	12
额定冲击电压 Impulse withstand voltage [KV]		4	4	4
导线截面积 Conductor cross section	硬质导线 Solid [mm ²]	0.25~2.5		
	柔性导线 Flexible [mm ²]	0.25~2.5		
材料 Material		Material		
绝缘材料 Insulation Material		PA66		
阻燃等级 Flame retardant rating		UL94V-0		
导体材料 Conductor Material		Copper alloy		
导体表面镀层 Plating of conductor surface		Sn plated		
一般参数 Other Data		Other Data		
间距/极数 Pitch/Poles [mm]/[P]		5.0,5.08/2~24		
剥线长度 Stripping Length [mm]		8~9		
螺丝/扭矩 Screw/Torque(Max) [N.m]		/		
工作温度 Operating temperature [°C]		-40~+105		
焊锡温度 Soldering temperature		260°C/5S		
引针尺寸 Pin dimensions [mm]		1.3*0.8		
PCB板孔径 PCB Hole Diameter [mm]		Ø1.8		



Pitch:5.0/5.08mm

WJ0404/0504-03XX

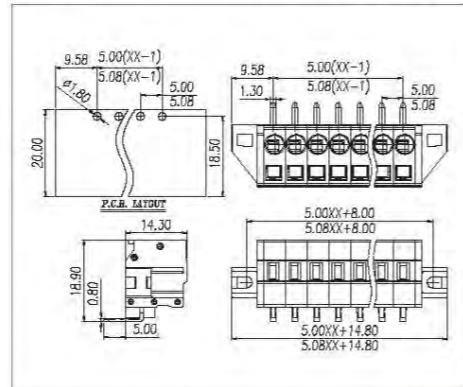
UL/CUL 技术参数 UL/CUL Technical Data		UL/CUL		
等级 Use Group	B C D	300	150	300
额定电压 Rated Voltage [V]		300	150	300
额定电流 Rated Current [A]		15	15	10
接线范围 Wire Range	单芯线 Solid [AWG]	28~12		
	多芯线 Stranded [AWG]	28~12		
耐电压 Dielectric Voltage-Withstand		1.6KV		
IEC 技术参数 IEC Technical Data		IEC		
过电压类别 Overvoltage Category	III IIII IIII	3	2	2
污染等级 Contamination Class		3	2	2
额定电压 Rated Voltage [V]		320	320	630
额定电流 Rated Current [A]		12	12	12
额定冲击电压 Impulse withstand voltage [KV]		4	4	4
导线截面积 Conductor cross section	硬质导线 Solid [mm ²]	0.25~2.5		
	柔性导线 Flexible [mm ²]	0.25~2.5		
材料 Material		Material		
绝缘材料 Insulation Material		PA66		
阻燃等级 Flame retardant rating		UL94V-0		
导体材料 Conductor Material		Copper alloy		
导体表面镀层 Plating of conductor surface		Sn plated		
一般参数 Other Data		Other Data		
间距/极数 Pitch/Poles [mm]/[P]		5.0,5.08/2~24		
剥线长度 Stripping Length [mm]		8~9		
螺丝/扭矩 Screw/Torque(Max) [N.m]		/		
工作温度 Operating temperature [°C]		-40~+105		
焊锡温度 Soldering temperature		260°C/5S		
引针尺寸 Pin dimensions [mm]		1.3*0.8		
PCB板孔径 PCB Hole Diameter [mm]		Ø1.8		



Pitch:5.0/5.08mm

WJ0404/0504-04XX

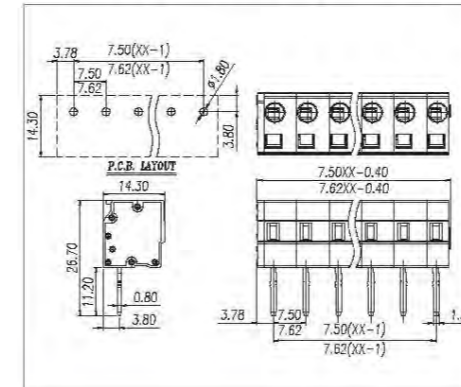
UL/CUL 技术参数 UL/CUL Technical Data		UL/CUL		
等级 Use Group	B C D	300	150	300
额定电压 Rated Voltage [V]		300	150	300
额定电流 Rated Current [A]		15	15	10
接线范围 Wire Range	单芯线 Solid [AWG]	28~12		
	多芯线 Stranded [AWG]	28~12		
耐电压 Dielectric Voltage-Withstand		1.6KV		
IEC 技术参数 IEC Technical Data		IEC		
过电压类别 Overvoltage Category	III IIII IIII	3	2	2
污染等级 Contamination Class		3	2	2
额定电压 Rated Voltage [V]		320	320	630
额定电流 Rated Current [A]		12	12	12
额定冲击电压 Impulse withstand voltage [KV]		4	4	4
导线截面积 Conductor cross section	硬质导线 Solid [mm ²]	0.25~2.5		
	柔性导线 Flexible [mm ²]	0.25~2.5		
材料 Material		Material		
绝缘材料 Insulation Material		PA66		
阻燃等级 Flame retardant rating		UL94V-0		
导体材料 Conductor Material		Copper alloy		
导体表面镀层 Plating of conductor surface		Sn plated		
一般参数 Other Data		Other Data		
间距/极数 Pitch/Poles [mm]/[P]		5.0,5.08/2~24		
剥线长度 Stripping Length [mm]		8~9		
螺丝/扭矩 Screw/Torque(Max) [N.m]		/		
工作温度 Operating temperature [°C]		-40~+105		
焊锡温度 Soldering temperature		260°C/5S		
引针尺寸 Pin dimensions [mm]		1.3*0.8		
PCB板孔径 PCB Hole Diameter [mm]		Ø1.8		



Pitch:7.5/7.62mm

WJ0604/0704-01XX

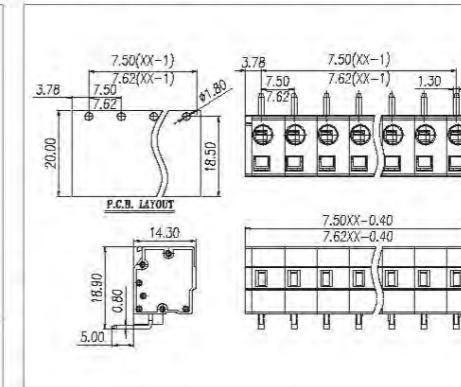
UL/CUL 技术参数 UL/CUL Technical Data		UL/CUL		
等级 Use Group	B C D	300	150	300
额定电压 Rated Voltage [V]		300	150	300
额定电流 Rated Current [A]		15	15	10
接线范围 Wire Range	单芯线 Solid [AWG]	28~12		
	多芯线 Stranded [AWG]	28~12		
耐电压 Dielectric Voltage-Withstand		1.6KV		
IEC 技术参数 IEC Technical Data		IEC		
过电压类别 Overvoltage Category	III IIII IIII	3	2	2
污染等级 Contamination Class		3	2	2
额定电压 Rated Voltage [V]		320	320	630
额定电流 Rated Current [A]		12	12	12
额定冲击电压 Impulse withstand voltage [KV]		6	6	6
导线截面积 Conductor cross section	硬质导线 Solid [mm ²]	0.25~2.5		
	柔性导线 Flexible [mm ²]	0.25~2.5		
材料 Material		Material		
绝缘材料 Insulation Material		PA66		
阻燃等级 Flame retardant rating		UL94V-0		
导体材料 Conductor Material		Copper alloy		
导体表面镀层 Plating of conductor surface		Sn plated		
一般参数 Other Data		Other Data		
间距/极数 Pitch/Poles [mm]/[P]		7.5,7.62/2~24		
剥线长度 Stripping Length [mm]		8~9		
螺丝/扭矩 Screw/Torque(Max) [N.m]		/		
工作温度 Operating temperature [°C]		-40~+105		
焊锡温度 Soldering temperature		260°C/5S		
引针尺寸 Pin dimensions [mm]		1.3*0.8		
PCB板孔径 PCB Hole Diameter [mm]		Ø1.8		



Pitch:7.5/7.62mm

WJ0604/0704-02XX

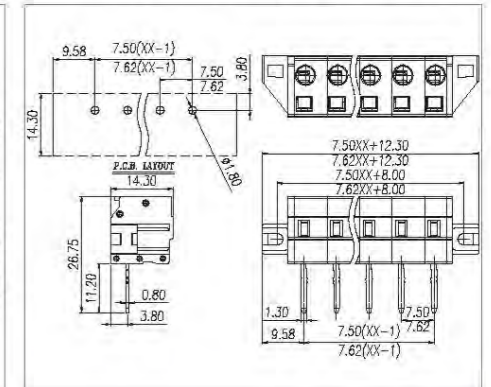
UL/CUL 技术参数 UL/CUL Technical Data		UL/CUL		
等级 Use Group	B C D	300	150	300
额定电压 Rated Voltage [V]		300	150	300
额定电流 Rated Current [A]		15	15	10
接线范围 Wire Range	单芯线 Solid [AWG]	28~12		
	多芯线 Stranded [AWG]	28~12		
耐电压 Dielectric Voltage-Withstand		1.6KV		
IEC 技术参数 IEC Technical Data		IEC		
过电压类别 Overvoltage Category	III IIII IIII	3	2	2
污染等级 Contamination Class		3	2	2
额定电压 Rated Voltage [V]		320	320	630
额定电流 Rated Current [A]		12	12	12
额定冲击电压 Impulse withstand voltage [KV]		6	6	6
导线截面积 Conductor cross section	硬质导线 Solid [mm ²]	0.25~2.5		
	柔性导线 Flexible [mm ²]	0.25~2.5		
材料 Material		Material		
绝缘材料 Insulation Material		PA66		
阻燃等级 Flame retardant rating		UL94V-0		
导体材料 Conductor Material		Copper alloy		
导体表面镀层 Plating of conductor surface		Sn plated		
一般参数 Other Data		Other Data		
间距/极数 Pitch/Poles [mm]/[P]		7.5,7.62/2~24		
剥线长度 Stripping Length [mm]		8~9		
螺丝/扭矩 Screw/Torque(Max) [N.m]		/		
工作温度 Operating temperature [°C]		-40~+105		
焊锡温度 Soldering temperature		260°C/5S		
引针尺寸 Pin dimensions [mm]		1.3*0.8		
PCB板孔径 PCB Hole Diameter [mm]		Ø1.8		



Pitch:7.5/7.62mm

WJ0604/0704-03XX

UL/CUL 技术参数 UL/CUL Technical Data		UL/CUL		
等级 Use Group	B C D	300	150	300
额定电压 Rated Voltage [V]		300	150	300
额定电流 Rated Current [A]		15	15	10
接线范围 Wire Range	单芯线 Solid [AWG]	28~12		
	多芯线 Stranded [AWG]	28~12		
耐电压 Dielectric Voltage-Withstand		1.6KV		
IEC 技术参数 IEC Technical Data		IEC		
过电压类别 Overvoltage Category	III IIII IIII	3	2	2
污染等级 Contamination Class		3	2	2
额定电压 Rated Voltage [V]		320	320	630
额定电流 Rated Current [A]		12	12	12
额定冲击电压 Impulse withstand voltage [KV]		6	6	6
导线截面积 Conductor cross section	硬质导线 Solid [mm ²]	0.25~2.5		
	柔性导线 Flexible [mm ²]	0.25~2.5		
材料 Material		Material		
绝缘材料 Insulation Material		PA66		
阻燃等级 Flame retardant rating		UL94V-0		
导体材料 Conductor Material		Copper alloy		
导体表面镀层 Plating of conductor surface		Sn plated		
一般参数 Other Data		Other Data		
间距/极数 Pitch/Poles [mm]/[P]		7.5,7.62/2~24		
剥线长度 Stripping Length [mm]		8~9		
螺丝/扭矩 Screw/Torque(Max) [N.m]		/		
工作温度 Operating temperature [°C]		-40~+105		
焊锡温度 Soldering temperature		260°C/5S		
引针尺寸 Pin dimensions [mm]		1.3*0.8		
PCB板孔径 PCB Hole Diameter [mm]		Ø1.8		





ISO14001 ISO45001 ISO9001 ISO80079-34 ISO/TS 22163



Pitch:7.5/7.62mm

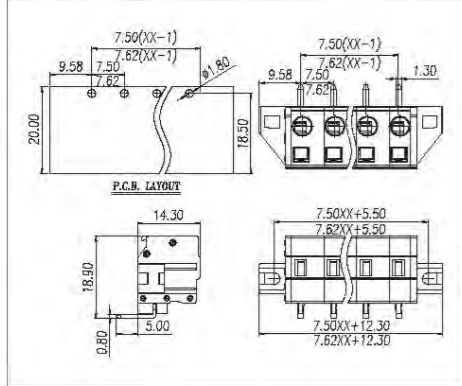
WJ0604/0704-04XX

UL/CUL 技术参数 UL/CUL Technical Data				
等级 Use Group		B	C	D
额定电压 Rated Voltage [V]		300	150	300
额定电流 Rated Current [A]		15	15	10
接线范围 Wire Range	单芯线 Solid [AWG]	28~12		
	多芯线 Stranded [AWG]	28~12		
耐电压 Dielectric Voltage-Withstand		1.6KV		

IEC 技术参数 IEC Technical Data				
过电压类别 Overvoltage Category		III	II	I
污染等级 Contamination Class		3	2	2
额定电压 Rated Voltage [V]		320	320	630
额定电流 Rated Current [A]		12	12	12
额定冲击电压 Impulse withstand voltage [KV]		6	6	6
导线截面积 Conductor cross section	硬质导线 Solid [mm ²]	0.25~2.5		
	柔性导线 Flexible [mm ²]	0.25~2.5		

材料 Material				
绝缘材料 Insulation Material		PA66		
阻燃等级 Flame retardant rating		UL94V-0		
导体材料 Conductor Material		Copper alloy		
导体表面镀层 Plating of conductor surface		Sn plated		

一般参数 Other Data				
间距/极数 Pitch/Poles [mm]/[P]		7.5,7.62/2~24		
剥线长度 Stripping Length [mm]		8~9		
螺丝/扭矩 Screw/Torque(Max) [N.m]		/		
工作温度 Operating temperature [°C]		-40~+105		
锡焊温度 Soldering temperature		260°C/5S		
引针尺寸 Pin dimensions [mm]		1.3*0.8		
PCB板孔径 PCB Hole Diameter [mm]		Ø1.8		



Pitch:5.0/5.08mm

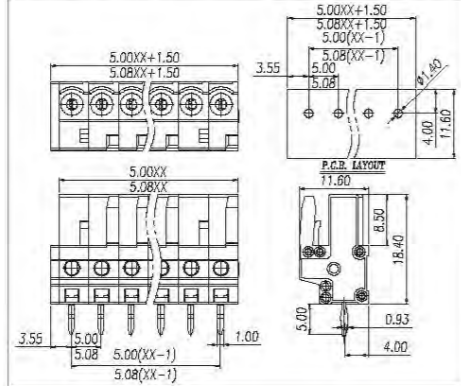
WJ0405/0505-01XX

UL/CUL 技术参数 UL/CUL Technical Data				
等级 Use Group		B	C	D
额定电压 Rated Voltage [V]		300	-	300
额定电流 Rated Current [A]		15	-	10
接线范围 Wire Range	单芯线 Solid [AWG]	/		
	多芯线 Stranded [AWG]	/		
耐电压 Dielectric Voltage-Withstand		1.6KV		

IEC 技术参数 IEC Technical Data				
过电压类别 Overvoltage Category		III	II	I
污染等级 Contamination Class		3	2	2
额定电压 Rated Voltage [V]		320	320	630
额定电流 Rated Current [A]		12	12	10
额定冲击电压 Impulse withstand voltage [KV]		4	4	4
导线截面积 Conductor cross section	硬质导线 Solid [mm ²]	/		
	柔性导线 Flexible [mm ²]	/		

材料 Material				
绝缘材料 Insulation Material		PA66		
阻燃等级 Flame retardant rating		UL94V-0		
导体材料 Conductor Material		Copper alloy		
导体表面镀层 Plating of conductor surface		Sn plated		

一般参数 Other Data				
间距/极数 Pitch/Poles [mm]/[P]		5.0,5.08/2~24		
剥线长度 Stripping Length [mm]		/		
螺丝/扭矩 Screw/Torque(Max) [N.m]		/		
工作温度 Operating temperature [°C]		-40~+105		
锡焊温度 Soldering temperature		260°C/5S		
引针尺寸 Pin dimensions [mm]		0.6*1.0		
PCB板孔径 PCB Hole Diameter [mm]		Ø1.4		



Pitch:5.0/5.08mm

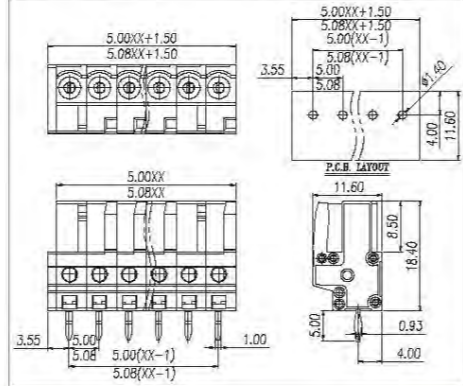
WJ0405/0505-02XX

UL/CUL 技术参数 UL/CUL Technical Data				
等级 Use Group		B	C	D
额定电压 Rated Voltage [V]		300	-	300
额定电流 Rated Current [A]		15	-	10
接线范围 Wire Range	单芯线 Solid [AWG]	/		
	多芯线 Stranded [AWG]	/		
耐电压 Dielectric Voltage-Withstand		1.6KV		

IEC 技术参数 IEC Technical Data				
过电压类别 Overvoltage Category		III	II	I
污染等级 Contamination Class		3	2	2
额定电压 Rated Voltage [V]		320	320	630
额定电流 Rated Current [A]		12	12	10
额定冲击电压 Impulse withstand voltage [KV]		4	4	4
导线截面积 Conductor cross section	硬质导线 Solid [mm ²]	/		
	柔性导线 Flexible [mm ²]	/		

材料 Material				
绝缘材料 Insulation Material		PA66		
阻燃等级 Flame retardant rating		UL94V-0		
导体材料 Conductor Material		Copper alloy		
导体表面镀层 Plating of conductor surface		Sn plated		

一般参数 Other Data				
间距/极数 Pitch/Poles [mm]/[P]		5.0,5.08/2~24		
剥线长度 Stripping Length [mm]		/		
螺丝/扭矩 Screw/Torque(Max) [N.m]		/		
工作温度 Operating temperature [°C]		-40~+105		
锡焊温度 Soldering temperature		260°C/5S		
引针尺寸 Pin dimensions [mm]		0.6*1.0		
PCB板孔径 PCB Hole Diameter [mm]		Ø1.4		



Pitch:5.0/5.08mm

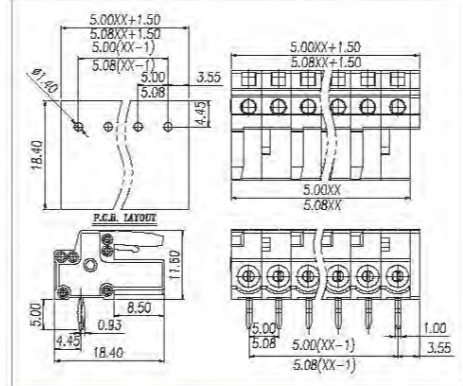
WJ0405/0505-03XX

UL/CUL 技术参数 UL/CUL Technical Data				
等级 Use Group		B	C	D
额定电压 Rated Voltage [V]		300	-	300
额定电流 Rated Current [A]		15	-	10
接线范围 Wire Range	单芯线 Solid [AWG]	/		
	多芯线 Stranded [AWG]	/		
耐电压 Dielectric Voltage-Withstand		1.6KV		

IEC 技术参数 IEC Technical Data				
过电压类别 Overvoltage Category		III	II	I
污染等级 Contamination Class		3	2	2
额定电压 Rated Voltage [V]		320	320	630
额定电流 Rated Current [A]		12	12	10
额定冲击电压 Impulse withstand voltage [KV]		4	4	4
导线截面积 Conductor cross section	硬质导线 Solid [mm ²]	/		
	柔性导线 Flexible [mm ²]	/		

材料 Material				
绝缘材料 Insulation Material		PA66		
阻燃等级 Flame retardant rating		UL94V-0		
导体材料 Conductor Material		Copper alloy		
导体表面镀层 Plating of conductor surface		Sn plated		

一般参数 Other Data				
间距/极数 Pitch/Poles [mm]/[P]		5.0,5.08/2~24		
剥线长度 Stripping Length [mm]		/		
螺丝/扭矩 Screw/Torque(Max) [N.m]		/		
工作温度 Operating temperature [°C]		-40~+105		
锡焊温度 Soldering temperature		260°C/5S		
引针尺寸 Pin dimensions [mm]		0.6*1.0		
PCB板孔径 PCB Hole Diameter [mm]		Ø1.4		



Pitch:5.0/5.08mm

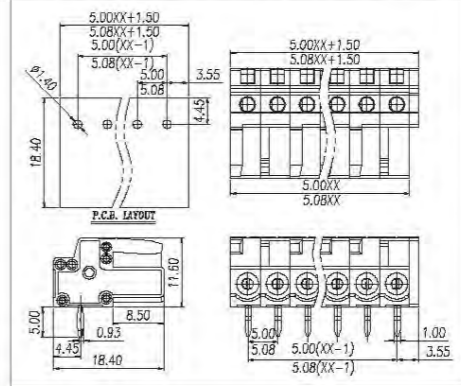
WJ0405/0505-04XX

UL/CUL 技术参数 UL/CUL Technical Data				
等级 Use Group		B	C	D
额定电压 Rated Voltage [V]		300	-	300
额定电流 Rated Current [A]		15	-	10
接线范围 Wire Range	单芯线 Solid [AWG]	/		
	多芯线 Stranded [AWG]	/		
耐电压 Dielectric Voltage-Withstand		1.6KV		

IEC 技术参数 IEC Technical Data				
过电压类别 Overvoltage Category		III	II	I
污染等级 Contamination Class		3	2	2
额定电压 Rated Voltage [V]		320	320	630
额定电流 Rated Current [A]		12	12	10
额定冲击电压 Impulse withstand voltage [KV]		4	4	4
导线截面积 Conductor cross section	硬质导线 Solid [mm ²]	/		
	柔性导线 Flexible [mm ²]	/		

材料 Material				
绝缘材料 Insulation Material		PA66		
阻燃等级 Flame retardant rating		UL94V-0		
导体材料 Conductor Material		Copper alloy		
导体表面镀层 Plating of conductor surface		Sn plated		

一般参数 Other Data				
间距/极数 Pitch/Poles [mm]/[P]		5.0,5.08/2~24		
剥线长度 Stripping Length [mm]		/		
螺丝/扭矩 Screw/Torque(Max) [N.m]		/		
工作温度 Operating temperature [°C]		-40~+105		
锡焊温度 Soldering temperature		260°C/5S		
引针尺寸 Pin dimensions [mm]		0.6*1.0		
PCB板孔径 PCB Hole Diameter [mm]		Ø1.4		



Pitch:7.5/7.62mm

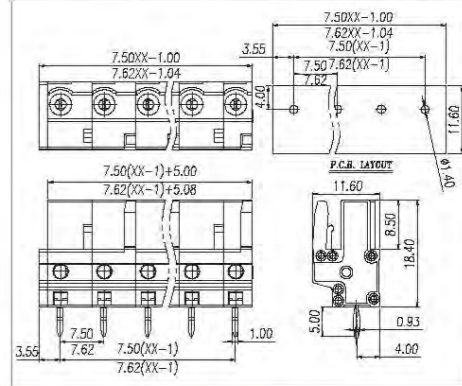
WJ0605/0705-01XX

UL/CUL 技术参数 UL/CUL Technical Data				
等级 Use Group		B	C	D
额定电压 Rated Voltage [V]		300	-	300
额定电流 Rated Current [A]		15	-	10
接线范围 Wire Range	单芯线 Solid [AWG]	/		
	多芯线 Stranded [AWG]	/		
耐电压 Dielectric Voltage-Withstand		1.6KV		

IEC 技术参数 IEC Technical Data				
过电压类别 Overvoltage Category		III	II	I
污染等级 Contamination Class		3	2	2
额定电压 Rated Voltage [V]		320	320	630
额定电流 Rated Current [A]		12	12	10
额定冲击电压 Impulse withstand voltage [KV]		4	4	4
导线截面积 Conductor cross section	硬质导线 Solid [mm ²]	/		
	柔性导线 Flexible [mm ²]	/		

材料 Material				
绝缘材料 Insulation Material		PA66		
阻燃等级 Flame retardant rating		UL94V-0		
导体材料 Conductor Material		Copper alloy		
导体表面镀层 Plating of conductor surface		Sn plated		

一般参数 Other Data				
间距/极数 Pitch/Poles [mm]/[P]		7.5,7.62/2~24		
剥线长度 Stripping Length [mm]		/		
螺丝/扭矩 Screw/Torque(Max) [N.m]		/		
工作温度 Operating temperature [°C]		-40~+105		
锡焊温度 Soldering temperature		260°C/5S		
引针尺寸 Pin dimensions [mm]		0.6*1.0		
PCB板孔径 PCB Hole Diameter [mm]		Ø1.4		





Pitch:5.0mm

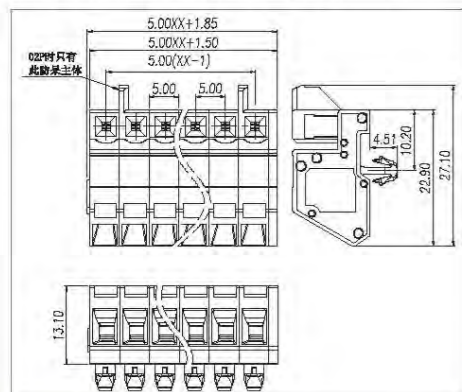
WJ0406-04XX

UL/CUL 技术参数 UL/CUL Technical Data		B	C	D
等级 Use Group				
额定电压 Rated Voltage [V]		150	-	-
额定电流 Rated Current [A]		4	-	-
接线范围 Wire Range	单芯线 Solid [AWG]	28~20		
	多芯线 Stranded [AWG]	28~20		
耐电压 Dielectric Voltage-Withstand		1.3KV		

IEC 技术参数 IEC Technical Data		III	II	I
过电压类别 Overvoltage Category				
污染等级 Contamination Class		3	2	2
额定电压 Rated Voltage [V]		100	160	320
额定电流 Rated Current [A]		6	6	6
额定冲击电压 Impulse withstand voltage [KV]		2.5	2.5	2.5
导线截面积 Conductor cross section	硬质导线 Solid [mm ²]	0.25~0.5		
	柔性导线 Flexible [mm ²]	0.25~0.5		

材料 Material		PA66
绝缘材料 Insulation Material		
阻燃等级 Flame retardant rating		UL94V-0
导体材料 Conductor Material		Copper alloy
导体表面镀层 Plating of conductor surface		Sn plated

一般参数 Other Data		2.5/2~12
间距/极数 Pitch/Poles [mm]/[P]		
剥线长度 Stripping Length [mm]		5~6
螺丝/扭矩 Screw/Torque(Max) [N.m]		/
工作温度 Operating temperature [°C]		-40~+105
焊接温度 Soldering temperature		/
引针尺寸 Pin dimensions [mm]		/
PCB板孔径 PCB Hole Diameter [mm]		/



Pitch:5.0mm

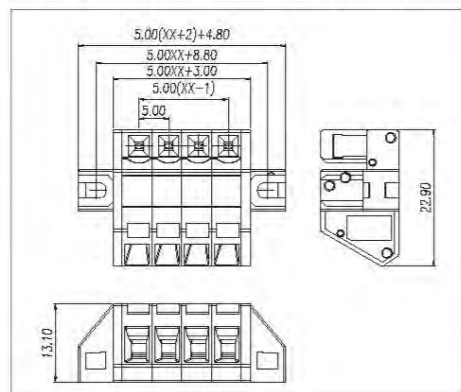
WJ0406-05XX

UL/CUL 技术参数 UL/CUL Technical Data		B	C	D
等级 Use Group				
额定电压 Rated Voltage [V]		150	-	-
额定电流 Rated Current [A]		4	-	-
接线范围 Wire Range	单芯线 Solid [AWG]	28~20		
	多芯线 Stranded [AWG]	28~20		
耐电压 Dielectric Voltage-Withstand		1.3KV		

IEC 技术参数 IEC Technical Data		III	II	I
过电压类别 Overvoltage Category				
污染等级 Contamination Class		3	2	2
额定电压 Rated Voltage [V]		100	160	320
额定电流 Rated Current [A]		6	6	6
额定冲击电压 Impulse withstand voltage [KV]		2.5	2.5	2.5
导线截面积 Conductor cross section	硬质导线 Solid [mm ²]	0.25~0.5		
	柔性导线 Flexible [mm ²]	0.25~0.5		

材料 Material		PA66
绝缘材料 Insulation Material		
阻燃等级 Flame retardant rating		UL94V-0
导体材料 Conductor Material		Copper alloy
导体表面镀层 Plating of conductor surface		Sn plated

一般参数 Other Data		2.5/2~12
间距/极数 Pitch/Poles [mm]/[P]		
剥线长度 Stripping Length [mm]		5~6
螺丝/扭矩 Screw/Torque(Max) [N.m]		/
工作温度 Operating temperature [°C]		-40~+105
焊接温度 Soldering temperature		/
引针尺寸 Pin dimensions [mm]		/
PCB板孔径 PCB Hole Diameter [mm]		/



Pitch:5.0mm

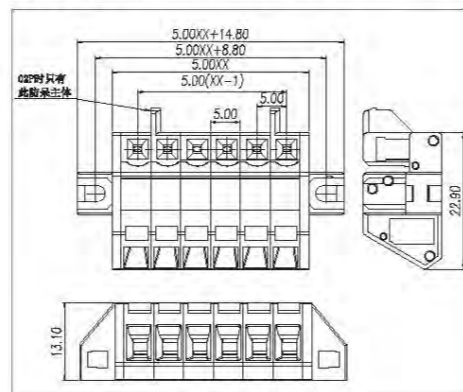
WJ0406-06XX

UL/CUL 技术参数 UL/CUL Technical Data		B	C	D
等级 Use Group				
额定电压 Rated Voltage [V]		300	-	300
额定电流 Rated Current [A]		10	-	10
接线范围 Wire Range	单芯线 Solid [AWG]	28~14		
	多芯线 Stranded [AWG]	28~14		
耐电压 Dielectric Voltage-Withstand		1.6KV		

IEC 技术参数 IEC Technical Data		III	II	I
过电压类别 Overvoltage Category				
污染等级 Contamination Class		3	2	2
额定电压 Rated Voltage [V]		160	160	320
额定电流 Rated Current [A]		10	10	10
额定冲击电压 Impulse withstand voltage [KV]		2.5	2.5	2.5
导线截面积 Conductor cross section	硬质导线 Solid [mm ²]	0.25~1.5		
	柔性导线 Flexible [mm ²]	0.25~1.5		

材料 Material		PA66
绝缘材料 Insulation Material		
阻燃等级 Flame retardant rating		UL94V-0
导体材料 Conductor Material		Copper alloy
导体表面镀层 Plating of conductor surface		Sn plated

一般参数 Other Data		3.5,3.81/2~24
间距/极数 Pitch/Poles [mm]/[P]		
剥线长度 Stripping Length [mm]		6~7
螺丝/扭矩 Screw/Torque(Max) [N.m]		/
工作温度 Operating temperature [°C]		-40~+105
焊接温度 Soldering temperature		/
引针尺寸 Pin dimensions [mm]		/
PCB板孔径 PCB Hole Diameter [mm]		/



Pitch:2.5mm

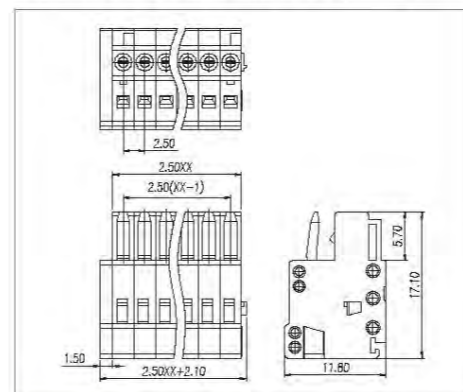
WJ0101-01XX

UL/CUL 技术参数 UL/CUL Technical Data		B	C	D
等级 Use Group				
额定电压 Rated Voltage [V]		150	-	-
额定电流 Rated Current [A]		4	-	-
接线范围 Wire Range	单芯线 Solid [AWG]	28~20		
	多芯线 Stranded [AWG]	28~20		
耐电压 Dielectric Voltage-Withstand		1.3KV		

IEC 技术参数 IEC Technical Data		III	II	I
过电压类别 Overvoltage Category				
污染等级 Contamination Class		3	2	2
额定电压 Rated Voltage [V]		100	160	320
额定电流 Rated Current [A]		6	6	6
额定冲击电压 Impulse withstand voltage [KV]		2.5	2.5	2.5
导线截面积 Conductor cross section	硬质导线 Solid [mm ²]	0.25~0.5		
	柔性导线 Flexible [mm ²]	0.25~0.5		

材料 Material		PA66
绝缘材料 Insulation Material		
阻燃等级 Flame retardant rating		UL94V-0
导体材料 Conductor Material		Copper alloy
导体表面镀层 Plating of conductor surface		Sn plated

一般参数 Other Data		2.5/2~12
间距/极数 Pitch/Poles [mm]/[P]		
剥线长度 Stripping Length [mm]		5~6
螺丝/扭矩 Screw/Torque(Max) [N.m]		/
工作温度 Operating temperature [°C]		-40~+105
焊接温度 Soldering temperature		/
引针尺寸 Pin dimensions [mm]		/
PCB板孔径 PCB Hole Diameter [mm]		/



Pitch:2.5mm

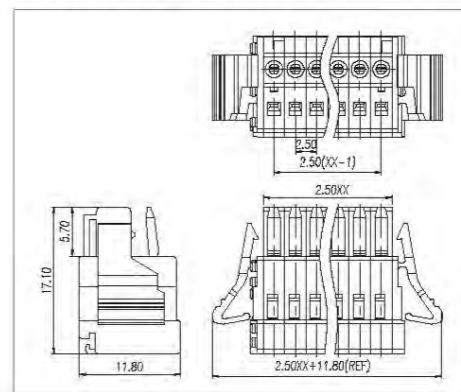
WJ0101-02XX

UL/CUL 技术参数 UL/CUL Technical Data		B	C	D
等级 Use Group				
额定电压 Rated Voltage [V]		150	-	-
额定电流 Rated Current [A]		4	-	-
接线范围 Wire Range	单芯线 Solid [AWG]	28~20		
	多芯线 Stranded [AWG]	28~20		
耐电压 Dielectric Voltage-Withstand		1.3KV		

IEC 技术参数 IEC Technical Data		III	II	I
过电压类别 Overvoltage Category				
污染等级 Contamination Class		3	2	2
额定电压 Rated Voltage [V]		100	160	320
额定电流 Rated Current [A]		6	6	6
额定冲击电压 Impulse withstand voltage [KV]		2.5	2.5	2.5
导线截面积 Conductor cross section	硬质导线 Solid [mm ²]	0.25~0.5		
	柔性导线 Flexible [mm ²]	0.25~0.5		

材料 Material		PA66
绝缘材料 Insulation Material		
阻燃等级 Flame retardant rating		UL94V-0
导体材料 Conductor Material		Copper alloy
导体表面镀层 Plating of conductor surface		Sn plated

一般参数 Other Data		2.5/2~12
间距/极数 Pitch/Poles [mm]/[P]		
剥线长度 Stripping Length [mm]		5~6
螺丝/扭矩 Screw/Torque(Max) [N.m]		/
工作温度 Operating temperature [°C]		-40~+105
焊接温度 Soldering temperature		/
引针尺寸 Pin dimensions [mm]		/
PCB板孔径 PCB Hole Diameter [mm]		/



Pitch:3.5/3.81mm

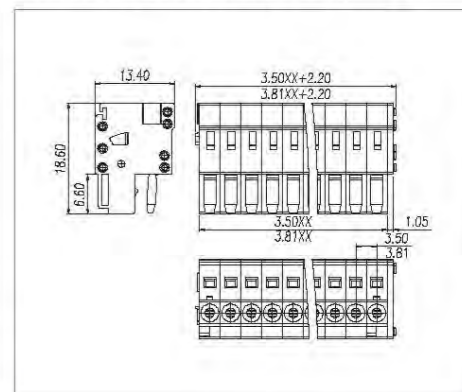
WJ0201/0301-01XX

UL/CUL 技术参数 UL/CUL Technical Data		B	C	D
等级 Use Group				
额定电压 Rated Voltage [V]		300	-	300
额定电流 Rated Current [A]		10	-	10
接线范围 Wire Range	单芯线 Solid [AWG]	28~14		
	多芯线 Stranded [AWG]	28~14		
耐电压 Dielectric Voltage-Withstand		1.6KV		

IEC 技术参数 IEC Technical Data		III	II	I
过电压类别 Overvoltage Category				
污染等级 Contamination Class		3	2	2
额定电压 Rated Voltage [V]		160	160	320
额定电流 Rated Current [A]		10	10	10
额定冲击电压 Impulse withstand voltage [KV]		2.5	2.5	2.5
导线截面积 Conductor cross section	硬质导线 Solid [mm ²]	0.25~1.5		
	柔性导线 Flexible [mm ²]	0.25~1.5		

材料 Material		PA66
绝缘材料 Insulation Material		
阻燃等级 Flame retardant rating		UL94V-0
导体材料 Conductor Material		Copper alloy
导体表面镀层 Plating of conductor surface		Sn plated

一般参数 Other Data		3.5,3.81/2~24
间距/极数 Pitch/Poles [mm]/[P]		
剥线长度 Stripping Length [mm]		6~7
螺丝/扭矩 Screw/Torque(Max) [N.m]		/
工作温度 Operating temperature [°C]		-40~+105
焊接温度 Soldering temperature		/
引针尺寸 Pin dimensions [mm]		/
PCB板孔径 PCB Hole Diameter [mm]		/

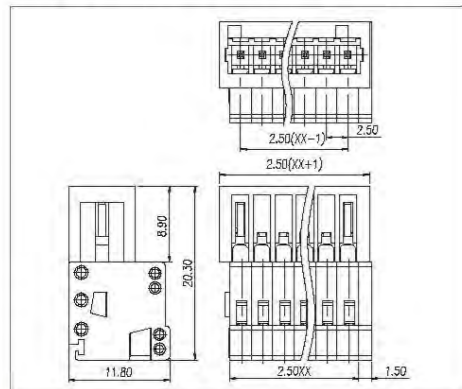




Pitch:2.5mm

WJ0103-01XX

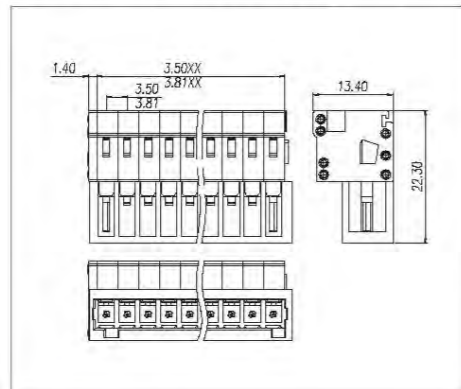
UL/CUL 技术参数 UL/CUL Technical Data		UL/CUL 技术参数 UL/CUL Technical Data		UL/CUL 技术参数 UL/CUL Technical Data	
等级 Use Group	B C D	等级 Use Group	B C D	等级 Use Group	B C D
额定电压 Rated Voltage [V]	150 - 150	额定电压 Rated Voltage [V]	300 - 300	额定电压 Rated Voltage [V]	300 - 300
额定电流 Rated Current [A]	4 - 4	额定电流 Rated Current [A]	10 - 10	额定电流 Rated Current [A]	10 - 10
接线范围 Wire Range	单芯线 Solid [AWG] 28~20 多芯线 Stranded [AWG] 28~20	接线范围 Wire Range	单芯线 Solid [AWG] 28~14 多芯线 Stranded [AWG] 28~14	接线范围 Wire Range	单芯线 Solid [AWG] 28~14 多芯线 Stranded [AWG] 28~14
耐电压 Dielectric Voltage-Withstand	1.3KV	耐电压 Dielectric Voltage-Withstand	1.6KV	耐电压 Dielectric Voltage-Withstand	1.6KV
IEC 技术参数 IEC Technical Data		IEC 技术参数 IEC Technical Data		IEC 技术参数 IEC Technical Data	
过电压类别 Overvoltage Category	II III IIII	过电压类别 Overvoltage Category	II III IIII	过电压类别 Overvoltage Category	II III IIII
污染等级 Contamination Class	3 2 2	污染等级 Contamination Class	3 2 2	污染等级 Contamination Class	3 2 2
额定电压 Rated Voltage [V]	100 160 320	额定电压 Rated Voltage [V]	160 160 320	额定电压 Rated Voltage [V]	160 160 320
额定电流 Rated Current [A]	6 6 6	额定电流 Rated Current [A]	10 10 10	额定电流 Rated Current [A]	10 10 10
额定冲击电压 Impulse withstand voltage [KV]	2.5 2.5 2.5	额定冲击电压 Impulse withstand voltage [KV]	2.5 2.5 2.5	额定冲击电压 Impulse withstand voltage [KV]	2.5 2.5 2.5
导线截面积 Conductor cross section	硬质导线 Solid [mm ²] 0.25~0.5 柔性导线 Flexible [mm ²] 0.25~0.5	导线截面积 Conductor cross section	硬质导线 Solid [mm ²] 0.25~1.5 柔性导线 Flexible [mm ²] 0.25~1.5	导线截面积 Conductor cross section	硬质导线 Solid [mm ²] 0.25~1.5 柔性导线 Flexible [mm ²] 0.25~1.5
材料 Material		材料 Material		材料 Material	
绝缘材料 Insulation Material	PA66	绝缘材料 Insulation Material	PA66	绝缘材料 Insulation Material	PA66
阻燃等级 Flame retardant rating	UL94V-0	阻燃等级 Flame retardant rating	UL94V-0	阻燃等级 Flame retardant rating	UL94V-0
导体材料 Conductor Material	Copper alloy	导体材料 Conductor Material	Copper alloy	导体材料 Conductor Material	Copper alloy
导体表面镀层 Plating of conductor surface	Sn plated	导体表面镀层 Plating of conductor surface	Sn plated	导体表面镀层 Plating of conductor surface	Sn plated
一般参数 Other Data		一般参数 Other Data		一般参数 Other Data	
间距/极数 Pitch/Poles [mm]/[P]	2.5/2~12	间距/极数 Pitch/Poles [mm]/[P]	3.5,3.81/2~24	间距/极数 Pitch/Poles [mm]/[P]	3.5,3.81/2~24
剥线长度 Stripping Length [mm]	5~6	剥线长度 Stripping Length [mm]	6~7	剥线长度 Stripping Length [mm]	6~7
螺丝/扭矩 Screw/Torque(Max) [N.m]	/	螺丝/扭矩 Screw/Torque(Max) [N.m]	/	螺丝/扭矩 Screw/Torque(Max) [N.m]	/
工作温度 Operating temperature [°C]	-40~+105	工作温度 Operating temperature [°C]	-40~+105	工作温度 Operating temperature [°C]	-40~+105
焊接温度 Soldering temperature	/	焊接温度 Soldering temperature	/	焊接温度 Soldering temperature	/
引针尺寸 Pin dimensions [mm]	/	引针尺寸 Pin dimensions [mm]	/	引针尺寸 Pin dimensions [mm]	/
PCB板孔径 PCB Hole Diameter [mm]	/	PCB板孔径 PCB Hole Diameter [mm]	/	PCB板孔径 PCB Hole Diameter [mm]	/



Pitch:3.5/3.81mm

WJ0203/0303-01XX

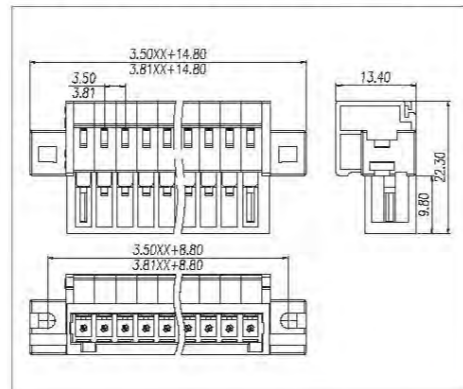
UL/CUL 技术参数 UL/CUL Technical Data		UL/CUL 技术参数 UL/CUL Technical Data		UL/CUL 技术参数 UL/CUL Technical Data	
等级 Use Group	B C D	等级 Use Group	B C D	等级 Use Group	B C D
额定电压 Rated Voltage [V]	300 - 300	额定电压 Rated Voltage [V]	300 - 300	额定电压 Rated Voltage [V]	300 - 300
额定电流 Rated Current [A]	10 - 10	额定电流 Rated Current [A]	10 - 10	额定电流 Rated Current [A]	10 - 10
接线范围 Wire Range	单芯线 Solid [AWG] 28~14 多芯线 Stranded [AWG] 28~14	接线范围 Wire Range	单芯线 Solid [AWG] 28~14 多芯线 Stranded [AWG] 28~14	接线范围 Wire Range	单芯线 Solid [AWG] 28~14 多芯线 Stranded [AWG] 28~14
耐电压 Dielectric Voltage-Withstand	1.6KV	耐电压 Dielectric Voltage-Withstand	1.6KV	耐电压 Dielectric Voltage-Withstand	1.6KV
IEC 技术参数 IEC Technical Data		IEC 技术参数 IEC Technical Data		IEC 技术参数 IEC Technical Data	
过电压类别 Overvoltage Category	II III IIII	过电压类别 Overvoltage Category	II III IIII	过电压类别 Overvoltage Category	II III IIII
污染等级 Contamination Class	3 2 2	污染等级 Contamination Class	3 2 2	污染等级 Contamination Class	3 2 2
额定电压 Rated Voltage [V]	160 160 320	额定电压 Rated Voltage [V]	160 160 320	额定电压 Rated Voltage [V]	160 160 320
额定电流 Rated Current [A]	10 10 10	额定电流 Rated Current [A]	10 10 10	额定电流 Rated Current [A]	10 10 10
额定冲击电压 Impulse withstand voltage [KV]	2.5 2.5 2.5	额定冲击电压 Impulse withstand voltage [KV]	2.5 2.5 2.5	额定冲击电压 Impulse withstand voltage [KV]	2.5 2.5 2.5
导线截面积 Conductor cross section	硬质导线 Solid [mm ²] 0.25~1.5 柔性导线 Flexible [mm ²] 0.25~1.5	导线截面积 Conductor cross section	硬质导线 Solid [mm ²] 0.25~1.5 柔性导线 Flexible [mm ²] 0.25~1.5	导线截面积 Conductor cross section	硬质导线 Solid [mm ²] 0.25~1.5 柔性导线 Flexible [mm ²] 0.25~1.5
材料 Material		材料 Material		材料 Material	
绝缘材料 Insulation Material	PA66	绝缘材料 Insulation Material	PA66	绝缘材料 Insulation Material	PA66
阻燃等级 Flame retardant rating	UL94V-0	阻燃等级 Flame retardant rating	UL94V-0	阻燃等级 Flame retardant rating	UL94V-0
导体材料 Conductor Material	Copper alloy	导体材料 Conductor Material	Copper alloy	导体材料 Conductor Material	Copper alloy
导体表面镀层 Plating of conductor surface	Sn plated	导体表面镀层 Plating of conductor surface	Sn plated	导体表面镀层 Plating of conductor surface	Sn plated
一般参数 Other Data		一般参数 Other Data		一般参数 Other Data	
间距/极数 Pitch/Poles [mm]/[P]	3.5,3.81/2~24	间距/极数 Pitch/Poles [mm]/[P]	3.5,3.81/2~24	间距/极数 Pitch/Poles [mm]/[P]	3.5,3.81/2~24
剥线长度 Stripping Length [mm]	6~7	剥线长度 Stripping Length [mm]	6~7	剥线长度 Stripping Length [mm]	6~7
螺丝/扭矩 Screw/Torque(Max) [N.m]	/	螺丝/扭矩 Screw/Torque(Max) [N.m]	/	螺丝/扭矩 Screw/Torque(Max) [N.m]	/
工作温度 Operating temperature [°C]	-40~+105	工作温度 Operating temperature [°C]	-40~+105	工作温度 Operating temperature [°C]	-40~+105
焊接温度 Soldering temperature	/	焊接温度 Soldering temperature	/	焊接温度 Soldering temperature	/
引针尺寸 Pin dimensions [mm]	/	引针尺寸 Pin dimensions [mm]	/	引针尺寸 Pin dimensions [mm]	/
PCB板孔径 PCB Hole Diameter [mm]	/	PCB板孔径 PCB Hole Diameter [mm]	/	PCB板孔径 PCB Hole Diameter [mm]	/



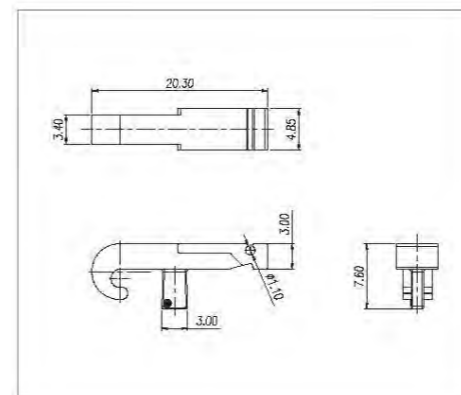
Pitch:3.5/3.81mm

WJ0203/0303-02XX

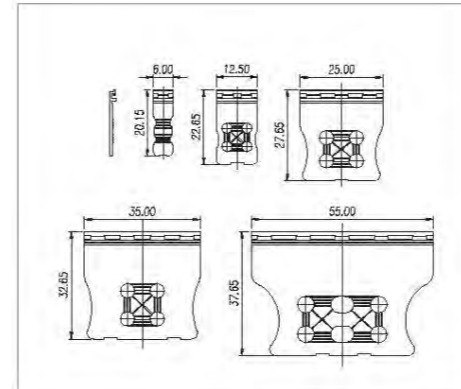
UL/CUL 技术参数 UL/CUL Technical Data		UL/CUL 技术参数 UL/CUL Technical Data		UL/CUL 技术参数 UL/CUL Technical Data	
等级 Use Group	B C D	等级 Use Group	B C D	等级 Use Group	B C D
额定电压 Rated Voltage [V]	300 - 300	额定电压 Rated Voltage [V]	300 - 300	额定电压 Rated Voltage [V]	300 - 300
额定电流 Rated Current [A]	10 - 10	额定电流 Rated Current [A]	10 - 10	额定电流 Rated Current [A]	10 - 10
接线范围 Wire Range	单芯线 Solid [AWG] 28~14 多芯线 Stranded [AWG] 28~14	接线范围 Wire Range	单芯线 Solid [AWG] 28~14 多芯线 Stranded [AWG] 28~14	接线范围 Wire Range	单芯线 Solid [AWG] 28~14 多芯线 Stranded [AWG] 28~14
耐电压 Dielectric Voltage-Withstand	1.6KV	耐电压 Dielectric Voltage-Withstand	1.6KV	耐电压 Dielectric Voltage-Withstand	1.6KV
IEC 技术参数 IEC Technical Data		IEC 技术参数 IEC Technical Data		IEC 技术参数 IEC Technical Data	
过电压类别 Overvoltage Category	II III IIII	过电压类别 Overvoltage Category	II III IIII	过电压类别 Overvoltage Category	II III IIII
污染等级 Contamination Class	3 2 2	污染等级 Contamination Class	3 2 2	污染等级 Contamination Class	3 2 2
额定电压 Rated Voltage [V]	160 160 320	额定电压 Rated Voltage [V]	160 160 320	额定电压 Rated Voltage [V]	160 160 320
额定电流 Rated Current [A]	10 10 10	额定电流 Rated Current [A]	10 10 10	额定电流 Rated Current [A]	10 10 10
额定冲击电压 Impulse withstand voltage [KV]	2.5 2.5 2.5	额定冲击电压 Impulse withstand voltage [KV]	2.5 2.5 2.5	额定冲击电压 Impulse withstand voltage [KV]	2.5 2.5 2.5
导线截面积 Conductor cross section	硬质导线 Solid [mm ²] 0.25~1.5 柔性导线 Flexible [mm ²] 0.25~1.5	导线截面积 Conductor cross section	硬质导线 Solid [mm ²] 0.25~1.5 柔性导线 Flexible [mm ²] 0.25~1.5	导线截面积 Conductor cross section	硬质导线 Solid [mm ²] 0.25~1.5 柔性导线 Flexible [mm ²] 0.25~1.5
材料 Material		材料 Material		材料 Material	
绝缘材料 Insulation Material	PA66	绝缘材料 Insulation Material	PA66	绝缘材料 Insulation Material	PA66
阻燃等级 Flame retardant rating	UL94V-0	阻燃等级 Flame retardant rating	UL94V-0	阻燃等级 Flame retardant rating	UL94V-0
导体材料 Conductor Material	Copper alloy	导体材料 Conductor Material	Copper alloy	导体材料 Conductor Material	Copper alloy
导体表面镀层 Plating of conductor surface	Sn plated	导体表面镀层 Plating of conductor surface	Sn plated	导体表面镀层 Plating of conductor surface	Sn plated
一般参数 Other Data		一般参数 Other Data		一般参数 Other Data	
间距/极数 Pitch/Poles [mm]/[P]	3.5,3.81/2~24	间距/极数 Pitch/Poles [mm]/[P]	3.5,3.81/2~24	间距/极数 Pitch/Poles [mm]/[P]	3.5,3.81/2~24
剥线长度 Stripping Length [mm]	6~7	剥线长度 Stripping Length [mm]	6~7	剥线长度 Stripping Length [mm]	6~7
螺丝/扭矩 Screw/Torque(Max) [N.m]	/	螺丝/扭矩 Screw/Torque(Max) [N.m]	/	螺丝/扭矩 Screw/Torque(Max) [N.m]	/
工作温度 Operating temperature [°C]	-40~+105	工作温度 Operating temperature [°C]	-40~+105	工作温度 Operating temperature [°C]	-40~+105
焊接温度 Soldering temperature	/	焊接温度 Soldering temperature	/	焊接温度 Soldering temperature	/
引针尺寸 Pin dimensions [mm]	/	引针尺寸 Pin dimensions [mm]	/	引针尺寸 Pin dimensions [mm]	/
PCB板孔径 PCB Hole Diameter [mm]	/	PCB板孔径 PCB Hole Diameter [mm]	/	PCB板孔径 PCB Hole Diameter [mm]	/



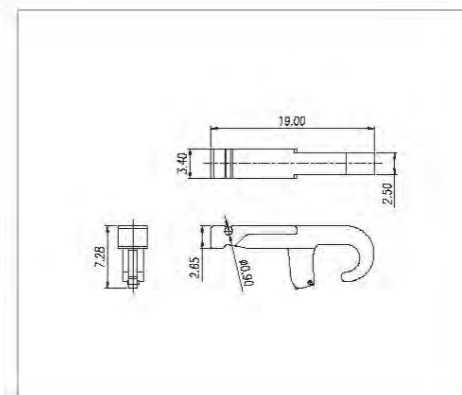
WJT01



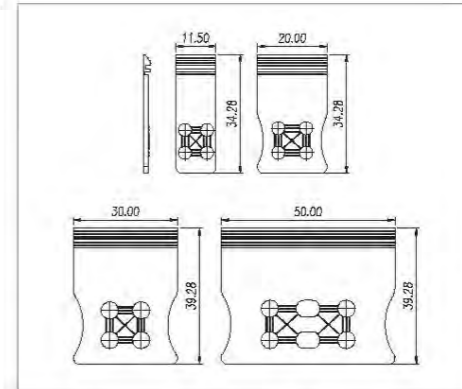
WJT04



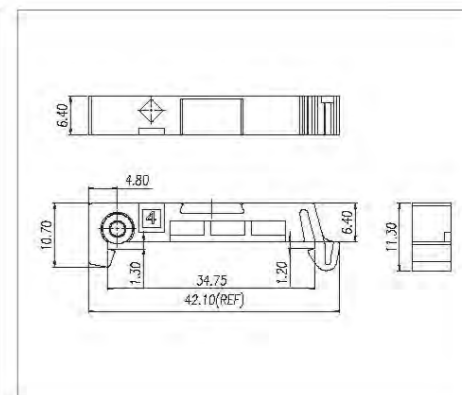
WJT02



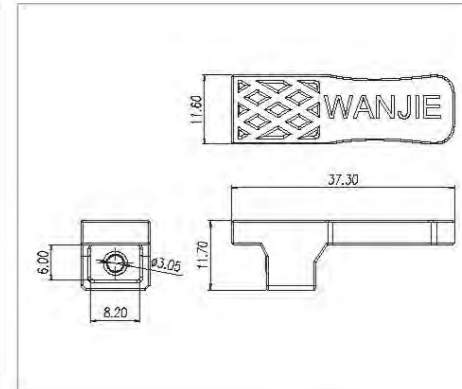
WJT05

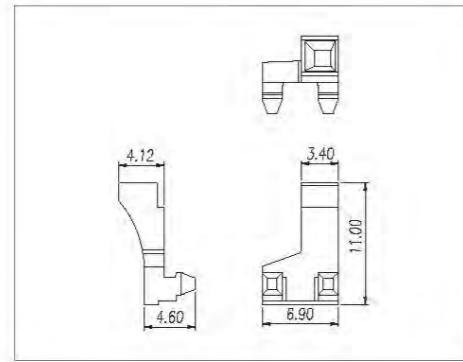


WJG01

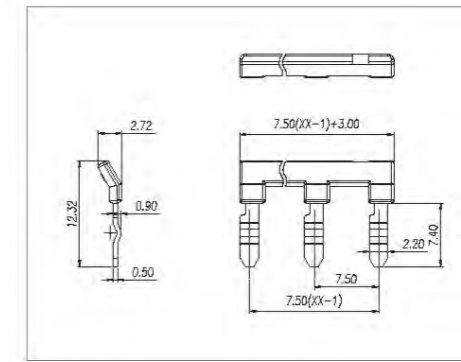


WJT06

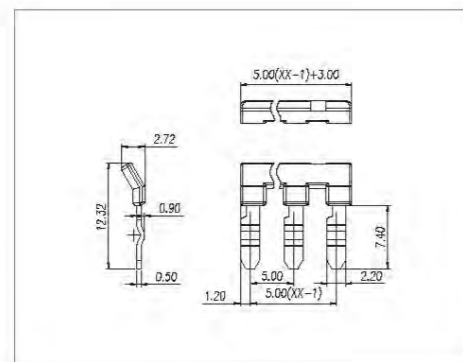




WJT07



WJG03-7.5



WJG03-5.0

Headers Plugs	WJ0403-01XX	WJ0403-04XX	WJ0503-01XX	WJ0503-04XX	WJ0603-01XX	WJ0603-04XX	WJ0703-01XX	WJ0703-04XX	WJ0402-01XX	WJ0402-05XX	WJ0502-01XX	WJ0502-05XX	WJ0602-01XX	WJ0602-05XX	WJ0702-01XX	WJ0702-05XX
	WJ0403-02XX	WJ0403-05XX	WJ0503-02XX	WJ0503-05XX	WJ0603-02XX	WJ0603-05XX	WJ0703-02XX	WJ0703-05XX	WJ0402-02XX	WJ0402-06XX	WJ0502-02XX	WJ0502-06XX	WJ0602-02XX	WJ0602-06XX	WJ0702-02XX	WJ0702-06XX
	WJ0403-03XX	WJ0403-06XX	WJ0503-03XX	WJ0503-06XX	WJ0603-03XX	WJ0603-06XX	WJ0703-03XX	WJ0703-06XX	WJ0402-03XX	WJ0402-07XX	WJ0502-03XX	WJ0502-07XX	WJ0602-03XX	WJ0602-07XX	WJ0702-03XX	WJ0702-07XX
									WJ0402-04XX	WJ0402-08XX	WJ0502-04XX	WJ0502-08XX	WJ0602-04XX	WJ0602-08XX	WJ0702-04XX	WJ0702-08XX
WJ0405-01XX	●								●							
WJ0405-02XX		●								●						
WJ0405-03XX	●								●							
WJ0405-04XX		●								●						
WJ0505-01XX			●								●					
WJ0505-02XX				●								●				
WJ0505-03XX			●								●					
WJ0505-04XX				●								●				
WJ0605-01XX					●								●			
WJ0605-02XX						●								●		
WJ0605-03XX					●								●			
WJ0605-04XX						●								●		
WJ0705-01XX							●								●	
WJ0705-02XX								●								●
WJ0705-03XX							●								●	
WJ0705-04XX								●								●

Headers Plugs	WJ0102-01XX	WJ0103-01XX	WJ0202-01XX	WJ0203-01XX	WJ0302-01XX	WJ0303-01XX	WJ0402-01XX	WJ0403-01XX	WJ0405-01XX	WJ0402-07XX	WJ0502-01XX	WJ0502-03XX	WJ0502-05XX	WJ0502-07XX	WJ0602-01XX	WJ0602-03XX	WJ0602-05XX	WJ0602-07XX
	WJ0102-02XX		WJ0202-02XX	WJ0203-02XX	WJ0302-02XX	WJ0303-02XX	WJ0402-02XX	WJ0402-04XX	WJ0402-06XX	WJ0402-08XX	WJ0502-02XX	WJ0502-04XX	WJ0502-06XX	WJ0502-08XX	WJ0602-02XX	WJ0602-04XX	WJ0602-06XX	WJ0602-08XX
WJ0101-01XX	●	●																
WJ0101-02XX	●	●																
WJ0201-01XX			●	●														
WJ0201-02XX			●	●														
WJ0201-03XX			●	●														
WJ0301-01XX					●	●												
WJ0301-02XX					●	●												
WJ0301-03XX					●	●												
WJ0401-01XX							●	●										
WJ0401-02XX							●	●	●	●								
WJ0401-03XX							●	●	●	●								
WJ0401-04XX							●	●	●	●								
WJ0401-05XX							●	●	●	●								
WJ0401-06XX							●	●	●	●								
WJ0401-07XX							●	●	●	●								
WJ0401-08XX							●	●	●	●								
WJ0501-01XX											●	●						
WJ0501-02XX											●	●	●	●				
WJ0501-03XX											●	●	●	●				
WJ0501-04XX											●	●	●	●				
WJ0501-05XX											●	●	●	●				
WJ0501-06XX											●	●	●	●				
WJ0501-07XX											●	●	●	●				
WJ0501-08XX											●	●	●	●				
WJ0601-01XX															●	●		
WJ0601-02XX															●	●	●	●
WJ0601-03XX															●	●	●	●
WJ0601-04XX															●	●	●	●
WJ0601-05XX															●	●	●	●
WJ0601-06XX															●	●	●	●
WJ0601-07XX															●	●	●	●
WJ0601-08XX															●	●	●	●
WJ0701-01XX																		
WJ0701-02XX																		
WJ0701-03XX																		
WJ0701-04XX																		
WJ0701-05XX																		
WJ0701-06XX																		
WJ0701-07XX																		
WJ0701-08XX																		
WJ0406-01XX							●	●										
WJ0406-02XX							●	●	●	●								
WJ0406-03XX							●	●	●	●								
WJ0406-04XX							●	●	●	●								
WJ0406-05XX							●	●	●	●								
WJ0406-06XX							●	●	●	●								

Plugs \ Headers	WJ0702-01XX	WJ0702-03XX	WJ0702-05XX	WJ0702-07XX	WJ0403-01XX	WJ0403-04XX	WJ0503-01XX	WJ0503-04XX	WJ0603-01XX	WJ0603-04XX	WJ0703-01XX	WJ0703-04XX
	WJ0702-02XX	WJ0702-04XX	WJ0702-06XX	WJ0702-08XX	WJ0403-02XX	WJ0403-05XX	WJ0503-02XX	WJ0503-05XX	WJ0603-02XX	WJ0603-05XX	WJ0703-02XX	WJ0703-05XX
Plugs					WJ0403-03XX	WJ0403-06XX	WJ0503-03XX	WJ0503-06XX	WJ0603-03XX	WJ0603-06XX	WJ0703-03XX	WJ0703-06XX
WJ0101-01XX												
WJ0101-02XX												
WJ0201-01XX												
WJ0201-02XX												
WJ0301-01XX												
WJ0301-02XX												
WJ0401-01XX					●							
WJ0401-02XX					●	●						
WJ0401-03XX					●							
WJ0401-04XX					●	●						
WJ0401-05XX					●	●						
WJ0401-06XX					●	●						
WJ0401-07XX					●							
WJ0401-08XX						●						
WJ0501-01XX							●					
WJ0501-02XX							●	●				
WJ0501-03XX							●					
WJ0501-04XX							●	●				
WJ0501-05XX							●					
WJ0501-06XX							●	●				
WJ0501-07XX							●					
WJ0501-08XX								●				
WJ0601-01XX									●			
WJ0601-02XX									●			
WJ0601-03XX									●			
WJ0601-04XX									●			
WJ0601-05XX									●			
WJ0601-06XX									●			
WJ0601-07XX									●			
WJ0601-08XX										●		
WJ0701-01XX	●	●									●	
WJ0701-02XX	●	●	●	●								●
WJ0701-03XX	●	●									●	
WJ0701-04XX	●	●	●	●								●
WJ0701-05XX	●	●									●	
WJ0701-06XX	●	●	●	●								●
WJ0701-07XX	●	●									●	
WJ0701-08XX			●	●								●



ISO14001 ISO45001 ISO9001 ISO80079-34 ISO/TS 22163



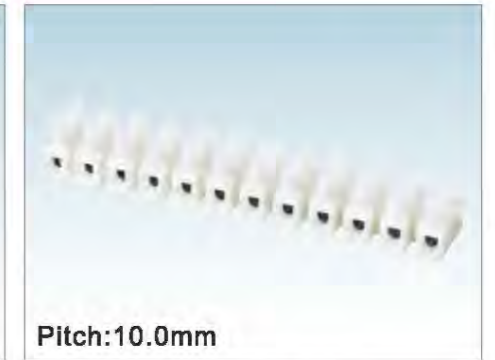
Pitch:8.2mm

MODEL:MY8HS-1.2



Pitch:8.2mm

MODEL:MY8HS-4.3



Pitch:10.0mm

MODEL:MY10HS-1.2

认证/CERTIFICATION	UL	CCC
材质及电镀	PA66,UL94V-2	
塑件	M2.5,钢,镀锌	
螺丝	SPCC,镀锌	
压线柱	SPCC,镀锌	
电气性能	UL	IEC
参考标准	600V	450V
额定电压	20A	32A
额定电流	20-12AWG	4mm ²
使用线径	20mΩ	
接触电阻	500MΩ/DC500V	
绝缘电阻	AC2200V/1Min	
耐压	-40°C~+105°C	
温度范围	0.4Nm(3.6Lb.in)	
扭矩		

认证/CERTIFICATION	UL	CCC
材质及电镀	PA66,UL94V-2	
塑件	M2.5,钢,镀锌	
螺丝	SPCC,镀锌	
压线柱	SPCC,镀锌	
电气性能	UL	IEC
参考标准	600V	450V
额定电压	20A	32A
额定电流	20-12AWG	4mm ²
使用线径	20mΩ	
接触电阻	500MΩ/DC500V	
绝缘电阻	AC2200V/1Min	
耐压	-40°C~+105°C	
温度范围	0.4Nm(3.6Lb.in)	
扭矩		

认证/CERTIFICATION	UL	CCC
材质及电镀	PA66,UL94V-2	
塑件	M3,钢,镀锌	
螺丝	SPCC,镀锌	
压线柱	SPCC,镀锌	
电气性能	UL	IEC
参考标准	300V	450V
额定电压	30A	24A
额定电流	20-10AWG	2.5mm ²
使用线径	20mΩ	
接触电阻	500MΩ/DC500V	
绝缘电阻	AC1600V/1Min	
耐压	-40°C~+105°C	
温度范围	0.5Nm(4.4Lb.in)	
扭矩		

MATERIAL	PA66,UL94V-2	
Housing	M2.5,Steel,Zn plated	
Screw	SPCC,Zn plated	
Pressure line column	SPCC,Zn plated	
ELECTRICAL	UL	IEC
Standard	600V	450V
Rated voltage	20A	32A
Rated current	20-12AWG	4mm ²
Wire range	20mΩ	
Contact resistance	500MΩ/DC500V	
Insulation resistance	AC2200V/1Min	
Withstanding voltage	-40°C~+105°C	
MECHANICAL	Temp. range	
Temp. range	0.4Nm(3.6Lb.in)	
Torque		

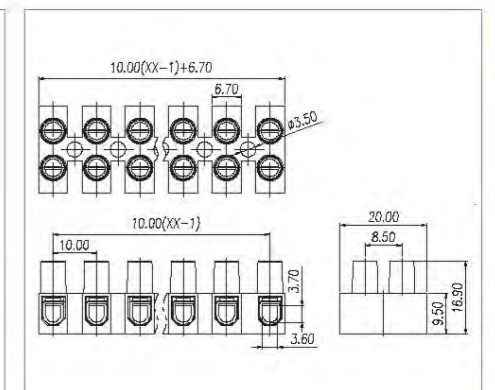
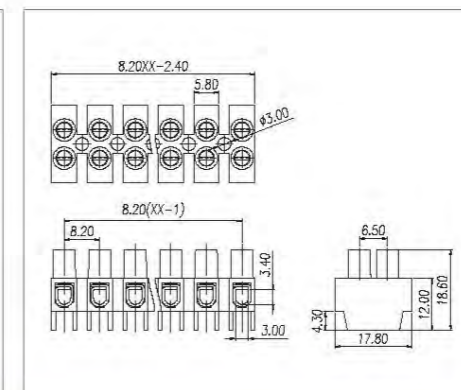
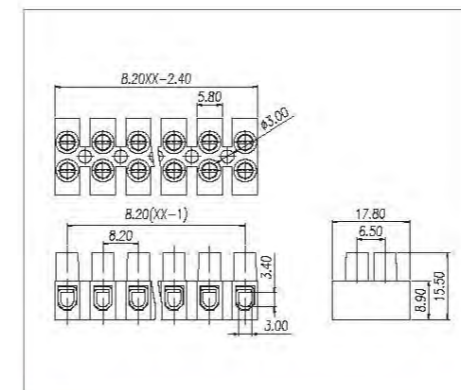
MATERIAL	PA66,UL94V-2	
Housing	M2.5,Steel,Zn plated	
Screw	SPCC,Zn plated	
Pressure line column	SPCC,Zn plated	
ELECTRICAL	UL	IEC
Standard	600V	450V
Rated voltage	20A	32A
Rated current	20-12AWG	4mm ²
Wire range	20mΩ	
Contact resistance	500MΩ/DC500V	
Insulation resistance	AC2200V/1Min	
Withstanding voltage	-40°C~+105°C	
MECHANICAL	Temp. range	
Temp. range	0.4Nm(3.6Lb.in)	
Torque		

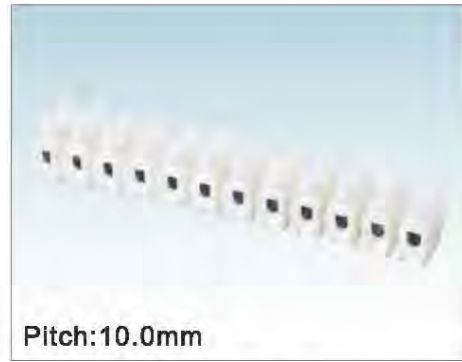
MATERIAL	PA66,UL94V-2	
Housing	M3,Steel,Zn plated	
Screw	SPCC,Zn plated	
Pressure line column	SPCC,Zn plated	
ELECTRICAL	UL	IEC
Standard	300V	450V
Rated voltage	30A	24A
Rated current	20-10AWG	2.5mm ²
Wire range	20mΩ	
Contact resistance	500MΩ/DC500V	
Insulation resistance	AC1600V/1Min	
Withstanding voltage	-40°C~+105°C	
MECHANICAL	Temp. range	
Temp. range	0.5Nm(4.4Lb.in)	
Torque		

贯通式接线端子 FEED THROUGH TERMINAL BLOCK

贯通式接线端子，将二导体方便、可靠连接起来，可以连接截面为0.5mm²至16mm²的所有类型的导线，间距8.2mm至14.5mm可供选择，分带弹片与不带弹片两大类型。产品设计符合IEC60998、UL1059、UL486E、CSA C22.2 No.158等国际标准。

Feed through terminal blocks, connecting with two conductors easily and credibility, Provide the wire size from 0.5mm² to 16mm², Available with different pitches from 8.2mm to 14.5mm, Available for with fuse and without fuse. The product is designed in accordance with IEC 60998, UL1059, CSA C22.2 NO.158 standards.





Pitch: 10.0mm

MODEL: MY10HS-4.3



Pitch: 8.0mm

MODEL: MY8H-1.2



Pitch: 10.0mm

MODEL: MY10H-1.2



Pitch: 12.0mm

MODEL: MY12H-1.2



Pitch: 13.5mm

MODEL: MY14H-1.2



Pitch: 14.6mm

MODEL: MY16H-1.2

认证/CERTIFICATION

材质及电镀		PA66, UL94V-2	
塑件	M3, 钢, 镀锌	螺丝	SPCC, 镀锌
铜柱			
电气性能			
参考标准	UL	IEC	
额定电压	600V	450V	
额定电流	30A	24A	
使用线径	20~10AWG	2.5mm ²	
接触电阻	20mΩ		
绝缘电阻	500MΩ/DC500V		
耐压	AC1600V/1Min		
机械性能			
温度范围	-40°C~+105°C		
扭矩	0.5Nm(4.4Lb.in)		

认证/CERTIFICATION

材质及电镀		PA66, UL94V-2	
塑件	M2.5, 钢, 镀锌	螺丝	铜合金, 镀锌
铜柱			
电气性能			
参考标准	UL	IEC	
额定电压	600V	450V	
额定电流	20A	32A	
使用线径	20~12AWG	4.0mm ²	
接触电阻	20mΩ		
绝缘电阻	500MΩ/DC500V		
耐压	AC2200V/1Min		
机械性能			
温度范围	-40°C~+105°C		
扭矩	0.4Nm/3.6Lb.in/4.08Kgf.cm		

认证/CERTIFICATION

材质及电镀		PA66, UL94V-2	
塑件	M3, 钢, 镀锌	螺丝	铜合金, 镀锌
铜柱			
电气性能			
参考标准	UL	IEC	
额定电压	300V	450V	
额定电流	30A	24A	
使用线径	20~10AWG	2.5mm ²	
接触电阻	20mΩ		
绝缘电阻	500MΩ/DC500V		
耐压	AC1600V/1Min		
机械性能			
温度范围	-40°C~+105°C		
扭矩	0.5Nm(4.4Lb.in)		

MATERIAL		PA66, UL94V-2	
Housing	M3, Steel, Zn plated	螺丝	SPCC, Zn plated
Pressure line column			
ELECTRICAL			
Standard	UL	IEC	
Rated voltage	600V	450V	
Rated current	30A	24A	
Wire range	20~10AWG	2.5mm ²	
Contact resistance	20mΩ		
Insulation resistance	500MΩ/DC500V		
Withstanding voltage	AC1600V/1Min		
MECHANICAL			
Temp. range	-40°C~+105°C		
Torque	0.5Nm(4.4Lb.in)		

MATERIAL		PA66, UL94V-2	
Housing	M2.5, Steel, Zn plated	螺丝	Copper alloy, Ni plated
Pressure line column			
ELECTRICAL			
Standard	UL	IEC	
Rated voltage	600V	450V	
Rated current	20A	32A	
Wire range	20~12AWG	4.0mm ²	
Contact resistance	20mΩ		
Insulation resistance	500MΩ/DC500V		
Withstanding voltage	AC2200V/1Min		
MECHANICAL			
Temp. range	-40°C~+105°C		
Torque	0.4Nm/3.6Lb.in/4.08Kgf.cm		

MATERIAL		PA66, UL94V-2	
Housing	M3, Steel, Zn plated	螺丝	铜合金, Zn plated
Pressure line column			
ELECTRICAL			
Standard	UL	IEC	
Rated voltage	300V	450V	
Rated current	30A	24A	
Wire range	20~10AWG	2.5mm ²	
Contact resistance	20mΩ		
Insulation resistance	500MΩ/DC500V		
Withstanding voltage	AC1600V/1Min		
MECHANICAL			
Temp. range	-40°C~+105°C		
Torque	0.5Nm(4.4Lb.in)		

认证/CERTIFICATION

材质及电镀		PA66, UL94V-2	
塑件	M3.5, 钢, 镀锌	螺丝	铜合金, 镀锌
铜柱			
电气性能			
参考标准	UL	IEC	
额定电压	600V	750V	
额定电流	50A	41A	
使用线径	20~8AWG	6.0mm ²	
接触电阻	20mΩ		
绝缘电阻	500MΩ/DC500V		
耐压	AC2200V/1Min		
机械性能			
温度范围	-40°C~+105°C		
扭矩	0.8Nm(7.2Lb.in)		

认证/CERTIFICATION

材质及电镀		PA66, UL94V-2	
塑件	M4, 钢, 镀锌	螺丝	铜合金, 镀锌
铜柱			
电气性能			
参考标准	UL	IEC	
额定电压	600V	750V	
额定电流	50A	57A	
使用线径	20~8AWG	10mm ²	
接触电阻	20mΩ		
绝缘电阻	500MΩ/DC500V		
耐压	AC2500V/1Min		
机械性能			
温度范围	-40°C~+105°C		
扭矩	1.2Nm(10.8Lb.in)		

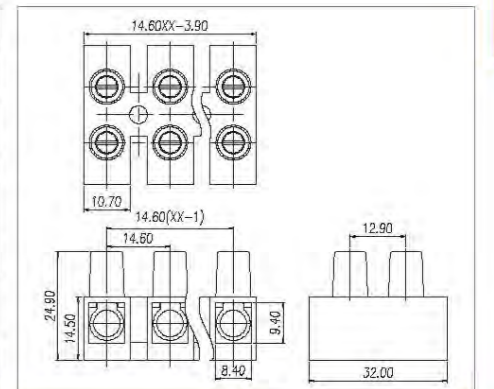
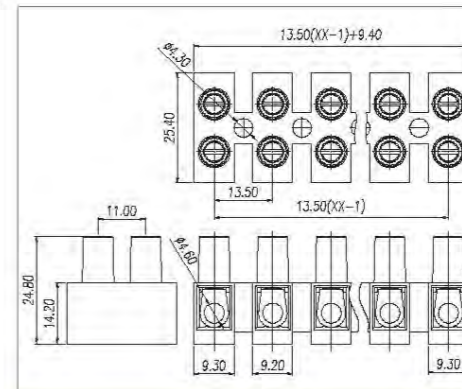
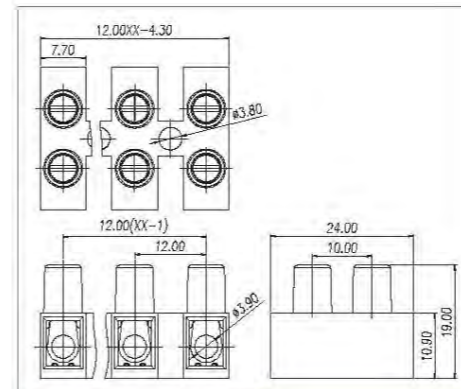
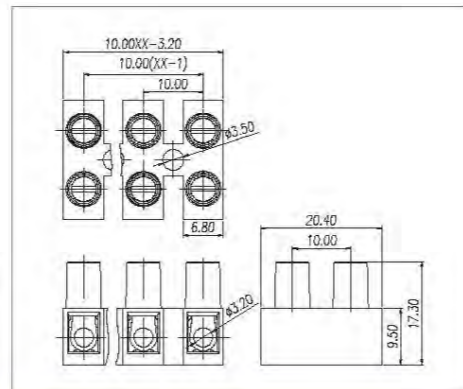
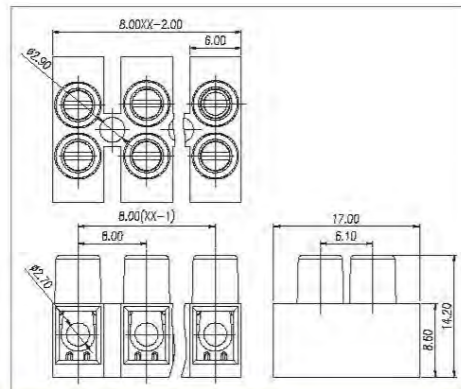
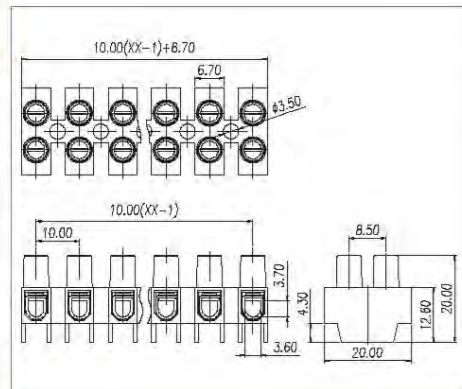
认证/CERTIFICATION

材质及电镀		PA66, UL94V-2	
塑件	M4, 钢, 镀锌	螺丝	铜合金, 镀锌
铜柱			
电气性能			
参考标准	UL	IEC	
额定电压	600V	750V	
额定电流	65A	76A	
使用线径	20~6AWG	16.0mm ²	
接触电阻	20mΩ		
绝缘电阻	500MΩ/DC500V		
耐压	AC2200V/1Min		
机械性能			
温度范围	-40°C~+105°C		
扭矩	1.2Nm(10.8Lb.in)		

MATERIAL		PA66, UL94V-2	
Housing	M3.5, Steel, Zn plated	螺丝	铜合金, Ni plated
Pressure line column			
ELECTRICAL			
Standard	UL	IEC	
Rated voltage	600V	750V	
Rated current	50A	57A	
Wire range	20~8AWG	6.0mm ²	
Contact resistance	20mΩ		
Insulation resistance	500MΩ/DC500V		
Withstanding voltage	AC2200V/1Min		
MECHANICAL			
Temp. range	-40°C~+105°C		
Torque	0.8Nm(7.2Lb.in)		

MATERIAL		PA66, UL94V-2	
Housing	M4, Steel, Zn plated	螺丝	铜合金, Ni plated
Pressure line column			
ELECTRICAL			
Standard	UL	IEC	
Rated voltage	600V	750V	
Rated current	50A	57A	
Wire range	20~8AWG	10mm ²	
Contact resistance	20mΩ		
Insulation resistance	500MΩ/DC500V		
Withstanding voltage	AC2500V/1Min		
MECHANICAL			
Temp. range	-40°C~+105°C		
Torque	1.2Nm(10.8Lb.in)		

MATERIAL		PA66, UL94V-2	
Housing	M4, Steel, Zn plated	螺丝	铜合金, Ni plated
Pressure line column			
ELECTRICAL			
Standard	UL	IEC	
Rated voltage	600V	750V	
Rated current	65A	76A	
Wire range	20~6AWG	16.0mm ²	
Contact resistance	20mΩ		
Insulation resistance	500MΩ/DC500V		
Withstanding voltage	AC2200V/1Min		
MECHANICAL			
Temp. range	-40°C~+105°C		
Torque	1.2Nm(10.8Lb.in)		





Pitch:8.0mm

MODEL:MY8HW-1.2



Pitch:10.0mm

MODEL:MY10HW-1.2



Pitch:12.0mm

MODEL:MY12HW-1.2



Pitch:13.5mm

MODEL:MY14HW-1.2



Pitch:14.6mm

MODEL:MY16HW-1.2



Pitch:10.0mm

MY510

认证/CERTIFICATION		
材质及电镀	PA66,UL94V-2	
塑件	M2.5,钢,镀锌	
螺丝	铜合金,镀镍	
铜柱		
电气性能		
参考标准	UL	IEC
额定电压	600V	450V
额定电流	20A	32A
使用线径	20~12AWG	2.5mm ²
接触电阻	20mΩ	
绝缘电阻	500MΩ/DC500V	
耐压	AC2200V/1Min	
机械性能		
温度范围	-40°C~+105°C	
扭矩	0.4Nm(3.6Lb.in)	

认证/CERTIFICATION		
材质及电镀	PA66,UL94V-2	
塑件	M3,钢,镀锌	
螺丝	铜合金,镀镍	
铜柱		
电气性能		
参考标准	UL	IEC
额定电压	300V	450V
额定电流	30A	24A
使用线径	20~10AWG	4.0mm ²
接触电阻	20mΩ	
绝缘电阻	500MΩ/DC500V	
耐压	AC1600V/1Min	
机械性能		
温度范围	-40°C~+105°C	
扭矩	0.5Nm/4.5Lb.in/5.1Kgf.cm	

认证/CERTIFICATION		
材质及电镀	PA66,UL94V-2	
塑件	M3.5,钢,镀锌	
螺丝	铜合金,镀镍	
铜柱		
电气性能		
参考标准	UL	IEC
额定电压	600V	750V
额定电流	50A	41A
使用线径	20~8AWG	6.0mm ²
接触电阻	20mΩ	
绝缘电阻	500MΩ/DC500V	
耐压	AC2200V/1Min	
机械性能		
温度范围	-40°C~+105°C	
扭矩	0.8Nm(7.2Lb.in)	

认证/CERTIFICATION		
材质及电镀	PA66,UL94V-2	
塑件	M4,钢,镀锌	
螺丝	铜合金,镀镍	
铜柱		
电气性能		
参考标准	UL	IEC
额定电压	600V	750V
额定电流	50A	57A
使用线径	20~8AWG	10mm ²
接触电阻	20mΩ	
绝缘电阻	500MΩ/DC500V	
耐压	AC2500V/1Min	
机械性能		
温度范围	-40°C~+105°C	
扭矩	1.2Nm(10.8Lb.in)	

认证/CERTIFICATION		
材质及电镀	PA66,UL94V-2	
塑件	M5,钢,镀锌	
螺丝	铜合金,镀镍	
铜柱		
电气性能		
参考标准	UL	IEC
额定电压	600V	750V
额定电流	65A	76A
使用线径	20~6AWG	16.0mm ²
接触电阻	20mΩ	
绝缘电阻	500MΩ/DC500V	
耐压	AC2500V/1Min	
机械性能		
温度范围	-40°C~+105°C	
扭矩	1.5Nm/13Lb.in/15.3Kgf.cm	

认证/CERTIFICATION		
材质及电镀	PA66,UL94V-0	
塑件	M3,钢,镀锌	
螺丝	铜合金,镀镍	
铜柱		
电气性能		
参考标准	UL	
额定电压	300V	
额定电流	15A	
使用线径	22~14AWG	
接触电阻	20mΩ	
绝缘电阻	500MΩ/DC500V	
耐压	AC1600V/1Min	
机械性能		
温度范围	-40°C~+105°C	
扭矩	0.5Nm/4.4Lb.in/5.1Kgf.cm	

MATERIAL	PA66,UL94V-2	
Housing	M2.5,Steel,Zn plated	
Screw	Copper alloy,Ni plated	
Pressure line column		
ELECTRICAL		
Standard	UL	IEC
Rated voltage	600V	450V
Rated current	20A	32A
Wire range	20~12AWG	2.5mm ²
Contact resistance	20mΩ	
Insulation resistance	500MΩ/DC500V	
Withstanding voltage	AC2200V/1Min	
MECHANICAL		
Temp. range	-40°C~+105°C	
Torque	0.4Nm(3.6Lb.in)	

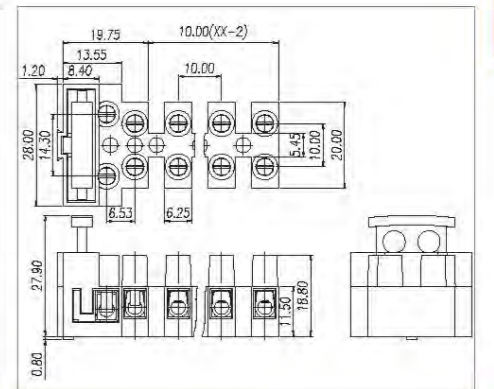
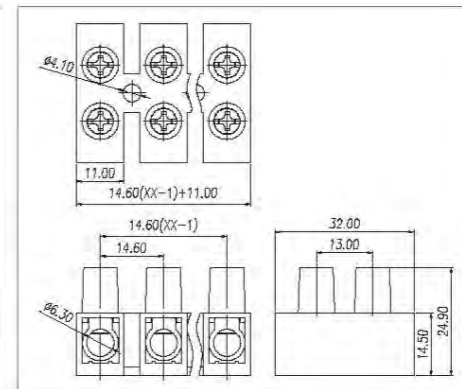
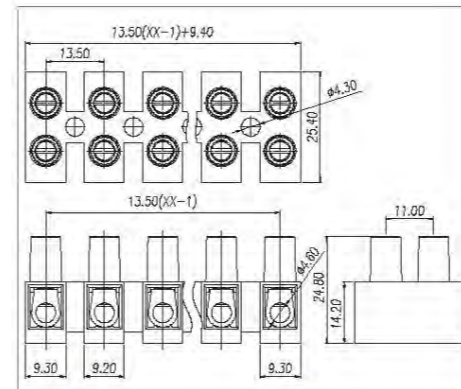
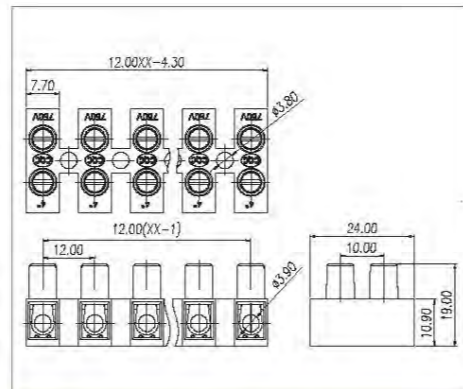
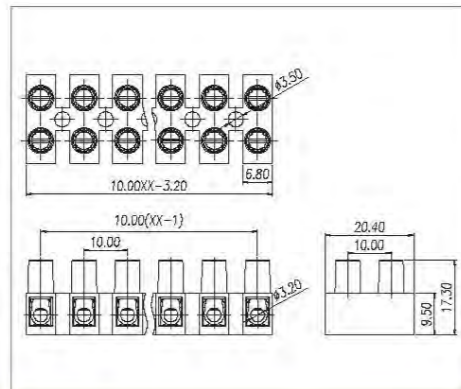
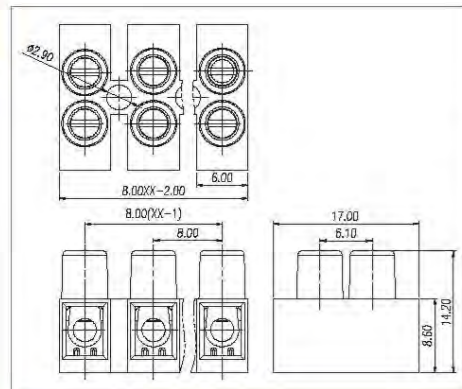
MATERIAL	PA66,UL94V-2	
Housing	M3,Steel,Zn plated	
Screw	Copper alloy,Ni plated	
Pressure line column		
ELECTRICAL		
Standard	UL	IEC
Rated voltage	300V	450V
Rated current	30A	24A
Wire range	20~10AWG	4.0mm ²
Contact resistance	20mΩ	
Insulation resistance	500MΩ/DC500V	
Withstanding voltage	AC1600V/1Min	
MECHANICAL		
Temp. range	-40°C~+105°C	
Torque	0.5Nm/4.5Lb.in/5.1Kgf.cm	

MATERIAL	PA66,UL94V-2	
Housing	M3.5,Steel,Zn plated	
Screw	Copper alloy,Ni plated	
Pressure line column		
ELECTRICAL		
Standard	UL	IEC
Rated voltage	600V	750V
Rated current	50A	41A
Wire range	20~8AWG	6.0mm ²
Contact resistance	20mΩ	
Insulation resistance	500MΩ/DC500V	
Withstanding voltage	AC2200V/1Min	
MECHANICAL		
Temp. range	-40°C~+105°C	
Torque	0.8Nm(7.2Lb.in)	

MATERIAL	PA66,UL94V-2	
Housing	M4,Steel,Zn plated	
Screw	Copper alloy,Ni plated	
Pressure line column		
ELECTRICAL		
Standard	UL	IEC
Rated voltage	600V	750V
Rated current	50A	57A
Wire range	20~8AWG	10mm ²
Contact resistance	20mΩ	
Insulation resistance	500MΩ/DC500V	
Withstanding voltage	AC2500V/1Min	
MECHANICAL		
Temp. range	-40°C~+105°C	
Torque	1.2Nm(10.8Lb.in)	

MATERIAL	PA66,UL94V-2	
Housing	M5,Steel,Zn plated	
Screw	Copper alloy,Ni plated	
Pressure line column		
ELECTRICAL		
Standard	UL	IEC
Rated voltage	600V	750V
Rated current	65A	76A
Wire range	20~6AWG	16.0mm ²
Contact resistance	20mΩ	
Insulation resistance	500MΩ/DC500V	
Withstanding voltage	AC2500V/1Min	
MECHANICAL		
Temp. range	-40°C~+105°C	
Torque	1.5Nm/13Lb.in/15.3Kgf.cm	

MATERIAL	PA66,UL94V-0	
Housing	M3,Steel,Zn plated	
Screw	Copper alloy,Ni plated	
Pressure line column		
ELECTRICAL		
Standard	UL	
Rated voltage	300V	
Rated current	15A	
Wire range	22~14AWG	
Contact resistance	20mΩ	
Insulation resistance	500MΩ/DC500V	
Withstanding voltage	AC1600V/1Min	
MECHANICAL		
Temp. range	-40°C~+105°C	
Torque	0.5Nm/4.4Lb.in/5.1Kgf.cm	

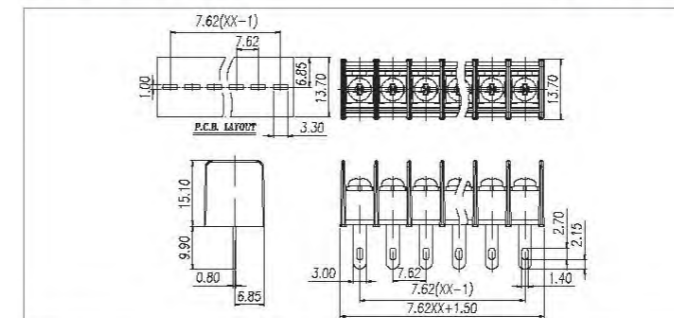
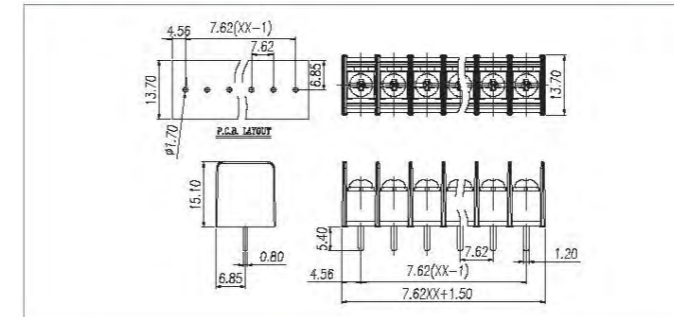




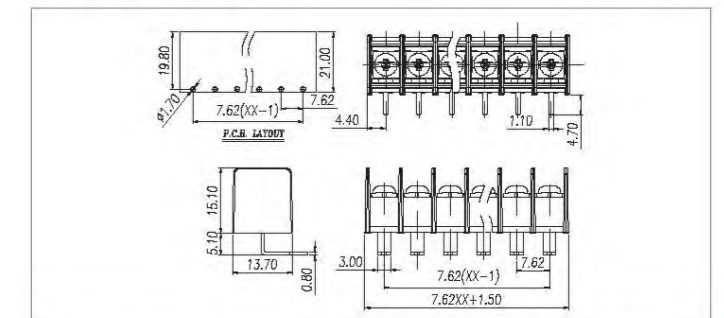
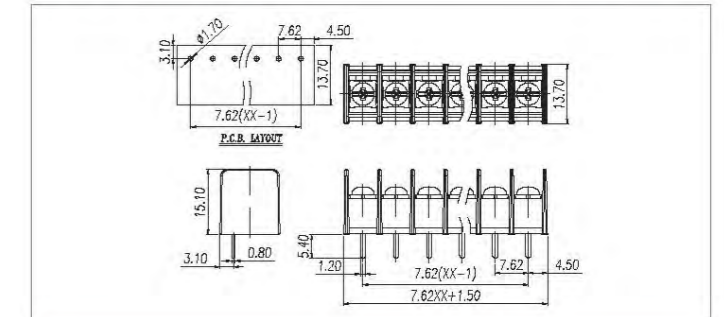
栅栏式接线端子 BARRIER TERMINAL BLOCK

栅栏式接线端子，接线直观明了，可以连接截面为0.5mm²至50mm²的所有类型的导线，间距6.35-27mm可供选择，可提供有盖、无盖，有无固定孔等款式。产品设计符合IEC60998、UL1059、UL486E、CSA C22.2 No.158等国际标准。

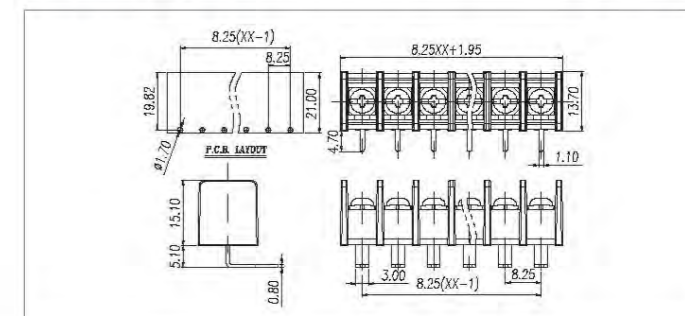
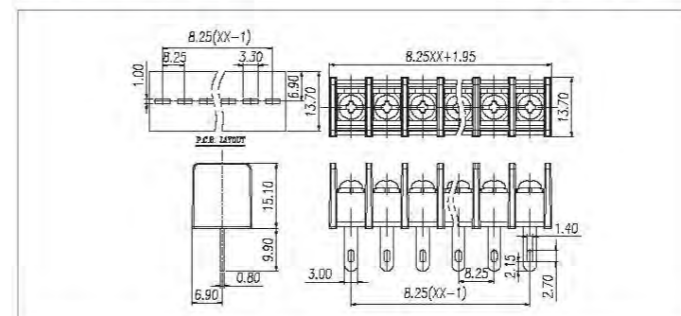
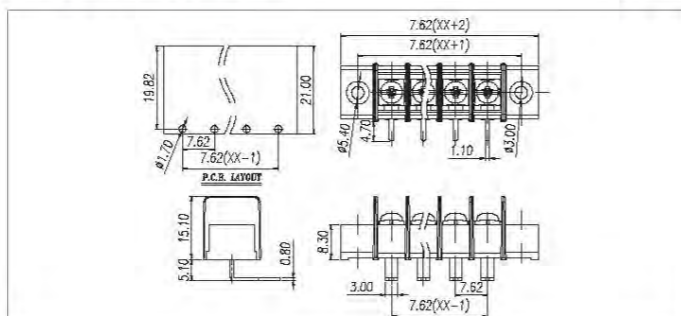
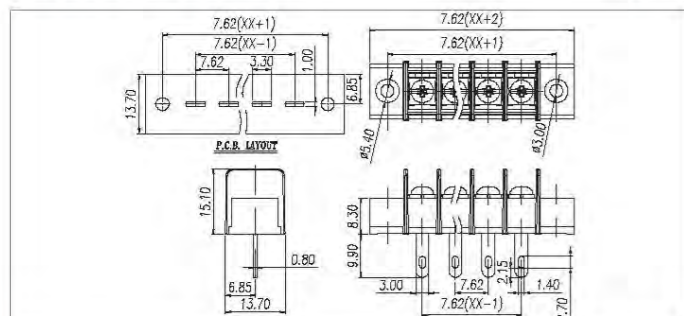
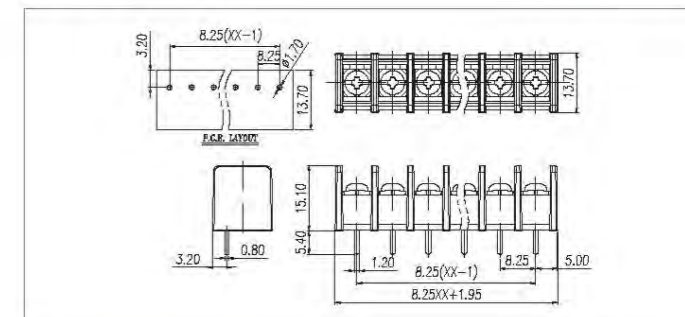
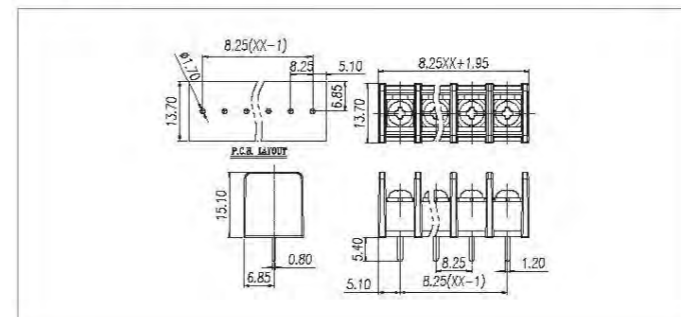
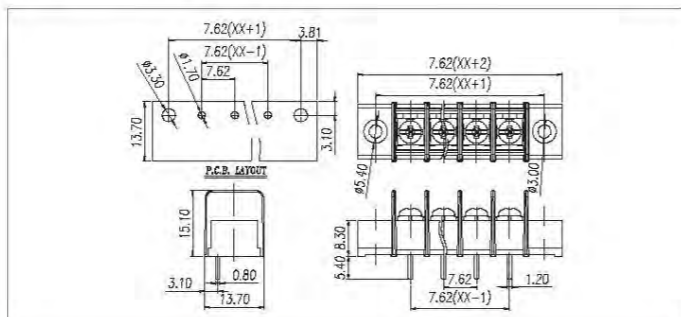
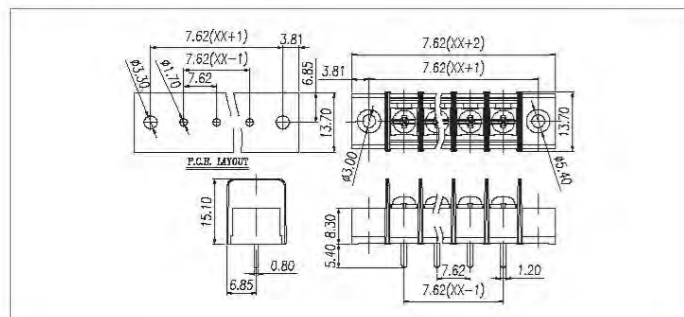
Barrier terminal blocks, connecting easily, provide the size from 0.5mm² to 50mm², Available with different pitches from 6.35mm to 27.0mm. with cover and without cover. The product is designed in accordance with IEC 60998, UL1059, CSA C22.2 NO.158 standards.



材质及电镀	螺丝 M3.0, 铜, 镀锌 焊脚 铜合金, 镀锡 塑件 PA66, UL94V-0	电气性能	UL IEC 参考标准 300V 250V 额定电压 15A 17.5A 额定电流 22-14AWG 1.5mm ² 使用线径 接触电阻 20mΩ 绝缘电阻 500MΩ/DC500V 耐压 AC2000V/1Min 温度范围 -40°C~+105°C 扭矩 5.10kgf-cm/0.5Nm/4.43Lbin
--------------	--------------------------------------------------	-------------	--------------------------------------------------------------------------------------------------------------------------------------------------------------------------------------------------



MATERIAL	Screw M3.0 Steel Ni plated Pin Header Copper alloy, Sn plated Housing PA66, UL94V-0	ELECTRICAL	UL IEC Standard 300V 250V Rated voltage 300V 250V Rated current 15A 17.5A Wire range 22-14AWG 1.5mm ² Contact resistance 20mΩ Insulation resistance 500MΩ/DC500V Withstanding voltage AC2000V/1Min Temp. range -40°C~+105°C Torque 5.10kgf-cm/0.5Nm/4.43Lbin
-----------------	-------------------------------------------------------------------------------------------	-------------------	----------------------------------------------------------------------------------------------------------------------------------------------------------------------------------------------------------------------------------------------------------------------------------------------------



材质及电镀	螺丝 M3.0, 铜, 镀锌 焊脚 铜合金, 镀锌 塑件 PA66, UL94V-0	电气性能	UL 300V 15A 22-14AWG	IEC 250V 17.5A 1.5mm ²
			20mΩ	
			500MΩ/DC500V	
			AC2000V/1Min	
			-40℃~+105℃	
			5.10kgf-cm/0.5Nm/4.43Lbin	

MATERIAL	Screw M3.0 Steel Ni plated Pin Header Copper alloy, Sn plated Housing PA66, UL94V-0	ELECTRICAL	UL 300V 15A 22-14AWG	IEC 250V 17.5A 1.5mm ²
			20mΩ	
			500MΩ/DC500V	
			AC2000V/1Min	
			-40℃~+105℃	
			5.10kgf-cm/0.5Nm/4.43Lbin	

材质及电镀	螺丝 M3.0, 铜, 镀锌 焊脚 铜合金, 镀锌 塑件 PA66, UL94V-0	电气性能	UL 300V 20A 22-12AWG	IEC 250V 24A 2.5mm ²
			20mΩ	
			500MΩ/DC500V	
			AC2000V/1Min	
			-40℃~+105℃	
			5.10kgf-cm/0.5Nm/4.43Lbin	

MATERIAL	Screw M3.0 Steel Ni plated Pin Header Copper alloy, Sn plated Housing PA66, UL94V-0	ELECTRICAL	UL 300V 20A 22-12AWG	IEC 250V 24A 2.5mm ²
			20mΩ	
			500MΩ/DC500V	
			AC2000V/1Min	
			-40℃~+105℃	
			5.10kgf-cm/0.5Nm/4.43Lbin	



MODEL: WJ35CM



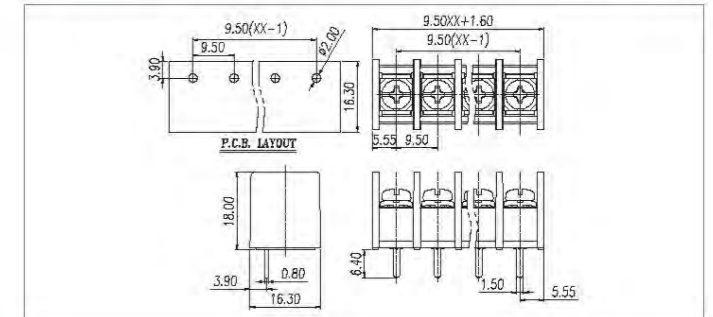
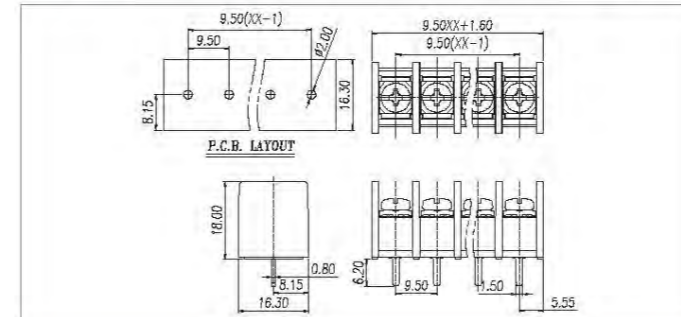
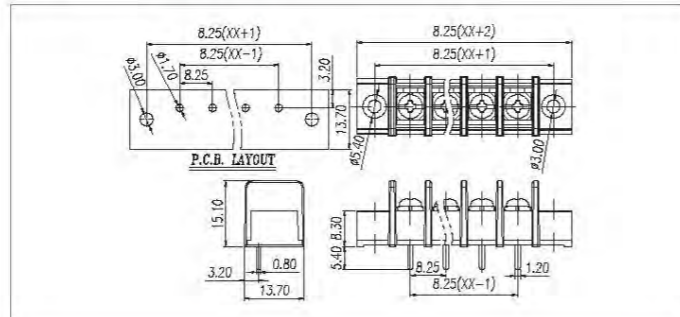
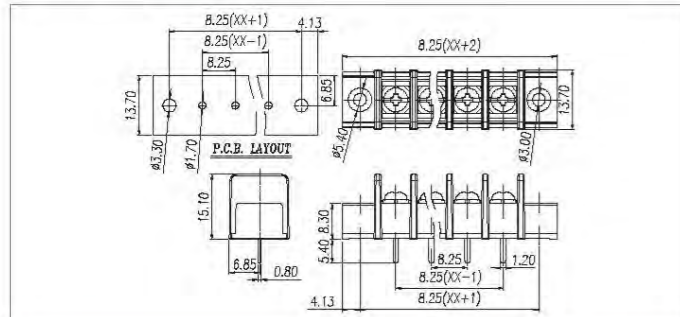
MODEL: WJ35SM



MODEL: WJ45C



MODEL: WJ45S



MODEL: WJ35HM



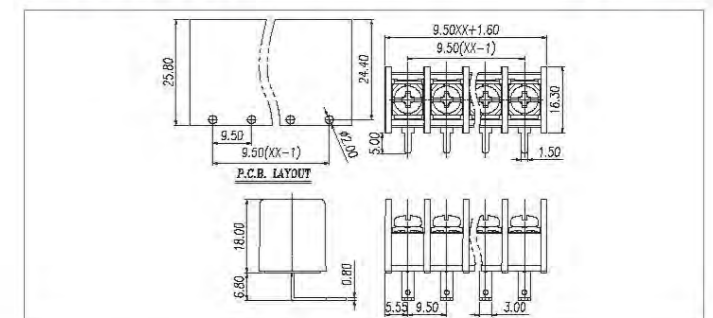
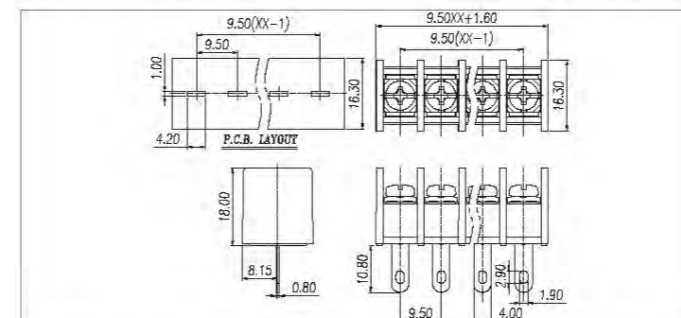
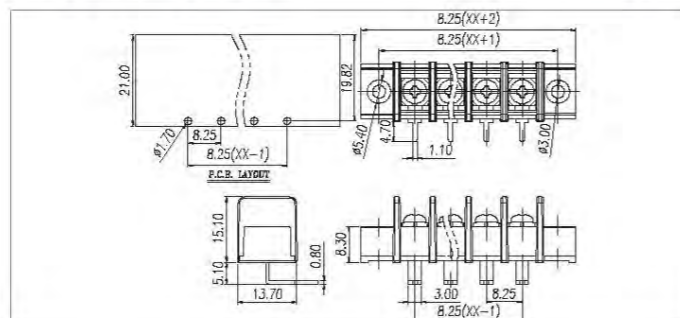
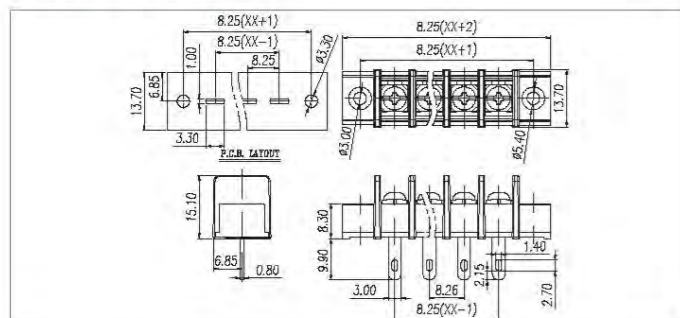
MODEL: WJ35RM



MODEL: WJ45H



MODEL: WJ45R



材质及电镀		电气性能	
螺丝	M3.0, 铜, 镀锌	参考标准	UL IEC
焊脚	铜合金, 镀锡	额定电压	300V 250V
塑件	PA66, UL94V-0	额定电流	20A 24A
		使用线径	22-12AWG 2.5mm ²
		接触电阻	20mΩ
		绝缘电阻	500MΩ/DC500V
		耐电压	AC2000V/1Min
		温度范围	-40℃~+105℃
		扭矩	5.10kgf-cm/0.5Nm/4.43Lbin

MATERIAL		ELECTRICAL	
Screw	M3.0 Steel Ni plated	Standard	UL IEC
Pin Header	Copper alloy, Sn plated	Rated voltage	300V 250V
Housing	PA66, UL94V-0	Rated current	20A 24A
		Wire range	22-12AWG 2.5mm ²
		Contact resistance	20mΩ
		Insulation resistance	500MΩ/DC500V
		Withstanding voltage	AC2000V/1Min
		Temp. range	-40℃~+105℃
		Torque	5.10kgf-cm/0.5Nm/4.43Lbin

材质及电镀		电气性能	
螺丝	M4.0, 铜, 镀锌	参考标准	UL IEC
焊脚	铜合金, 镀锡	额定电压	300V 400V
塑件	PA66, UL94V-0	额定电流	20A 24A
		使用线径	22-12AWG 2.5mm ²
		接触电阻	20mΩ
		绝缘电阻	500MΩ/DC500V
		耐电压	AC2000V/1Min
		温度范围	-40℃~+105℃
		扭矩	12.24kgf-cm/1.2Nm/10.6Lbin

MATERIAL		ELECTRICAL	
Screw	M4.0 Steel Ni plated	Standard	UL IEC
Pin Header	Copper alloy, Sn plated	Rated voltage	300V 400V
Housing	PA66, UL94V-0	Rated current	20A 24A
		Wire range	22-12AWG 2.5mm ²
		Contact resistance	20mΩ
		Insulation resistance	500MΩ/DC500V
		Withstanding voltage	AC2000V/1Min
		Temp. range	-40℃~+105℃
		Torque	12.24kgf-cm/1.2Nm/10.6Lbin



MODEL: WJ45CM



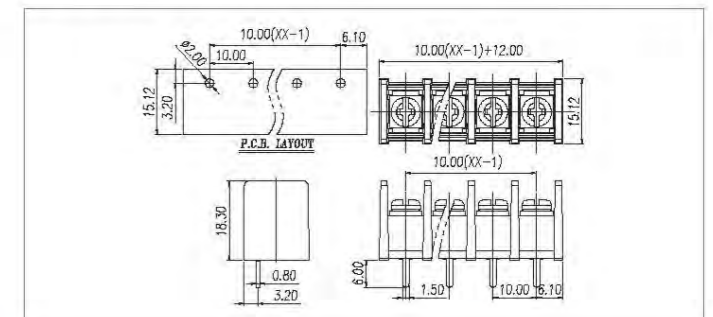
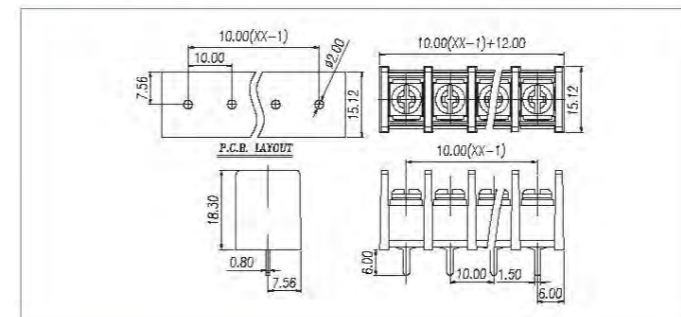
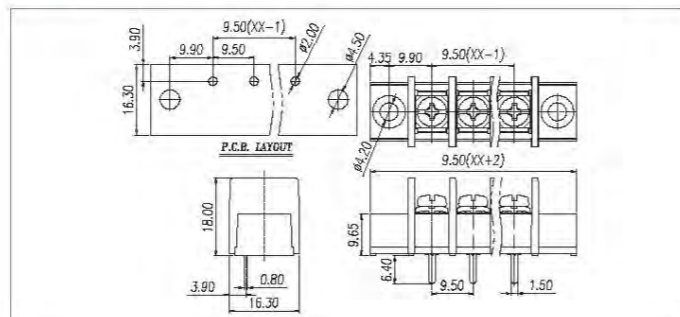
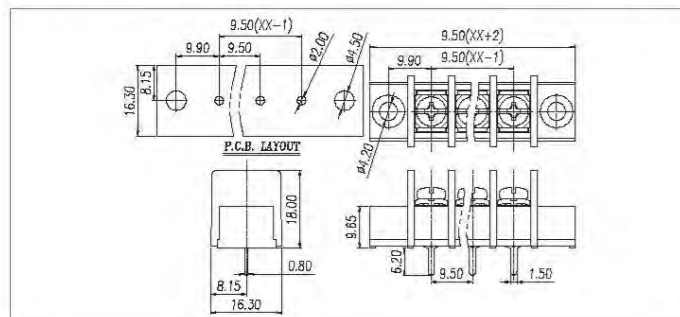
MODEL: WJ45SM



MODEL: WJ55C



MODEL: WJ55S



MODEL: WJ45HM



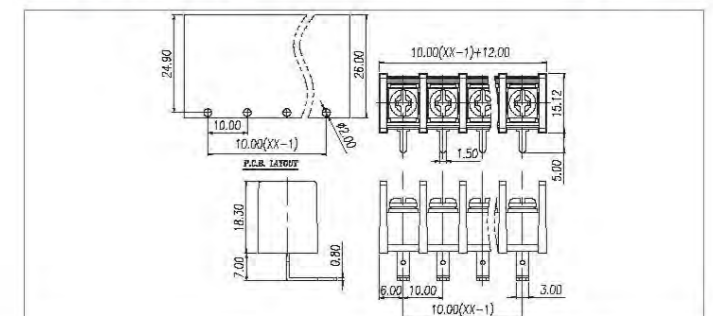
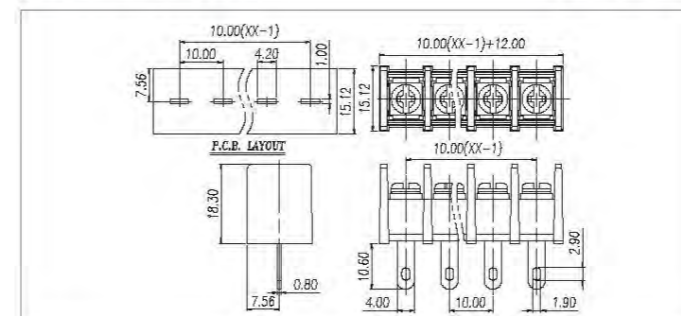
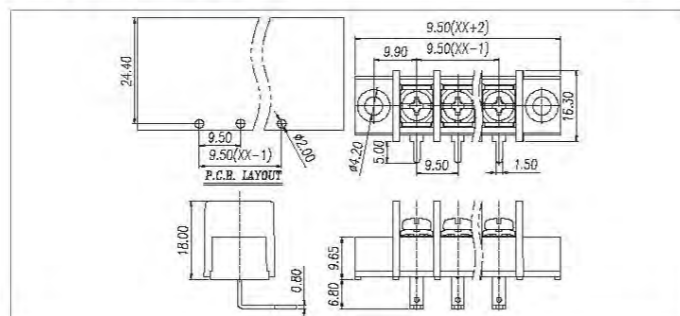
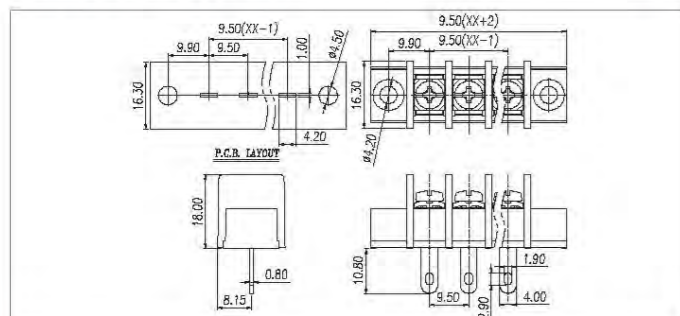
MODEL: WJ45RM



MODEL: WJ55H



MODEL: WJ55R

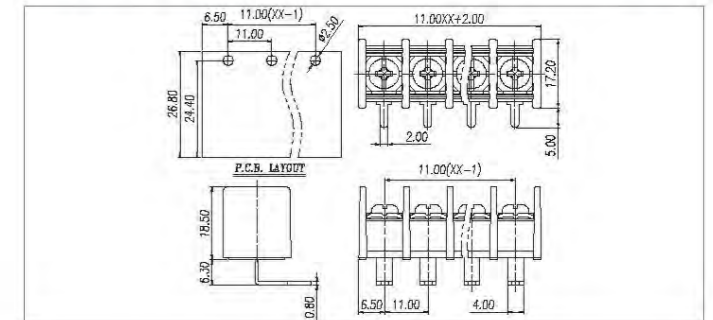
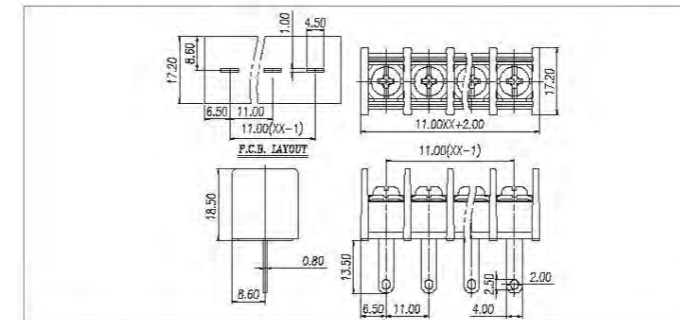
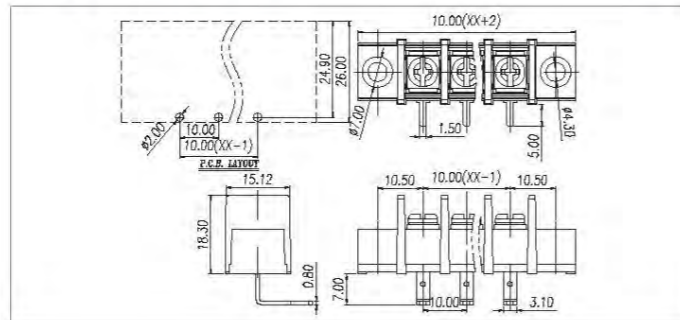
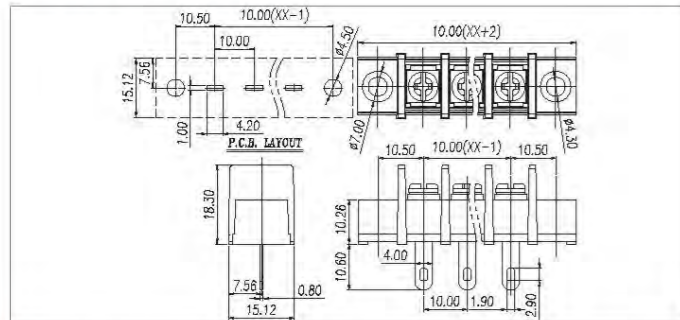
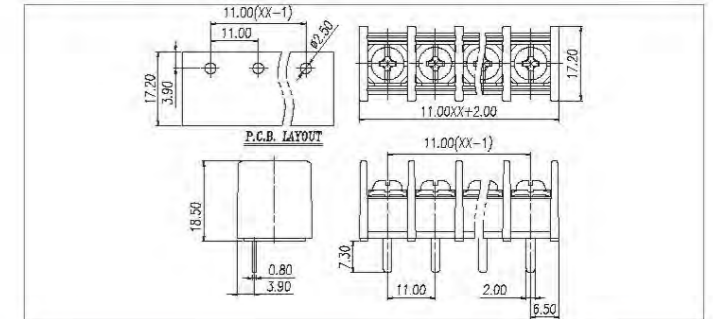
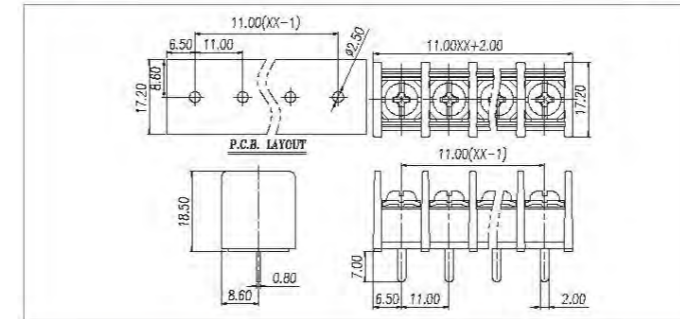
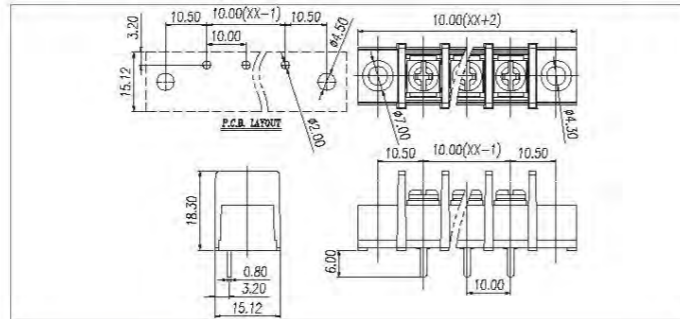
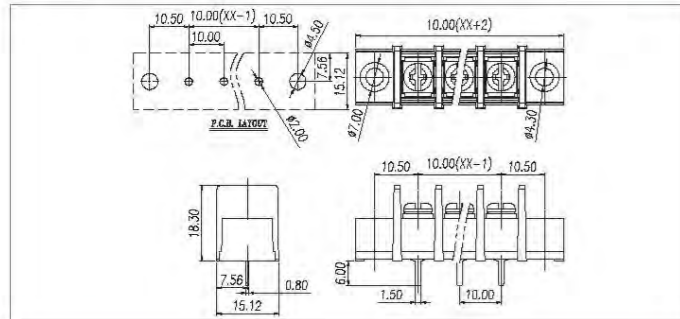


材质及电镀		电气性能	
螺丝	M4.0, 钢, 镀锌	参考标准	UL IEC
焊脚	铜合金, 镀锡	额定电压	300V 400V
塑件	PA66, UL94V-0	额定电流	20A 24A
		使用线径	22-12AWG 2.5mm ²
		接触电阻	20mΩ
		绝缘电阻	500MΩ/DC500V
		耐电压	AC2000V/1Min
		温度范围	-40℃~+105℃
		扭矩	12.24kgf-cm/1.2Nm/10.6Lbin

MATERIAL		ELECTRICAL	
Screw	M4.0 Steel Ni plated	Standard	UL IEC
Pin Header	Copper alloy, Sn plated	Rated voltage	300V 400V
Housing	PA66, UL94V-0	Rated current	20A 24A
		Wire range	22-12AWG 2.5mm ²
		Contact resistance	20mΩ
		Insulation resistance	500MΩ/DC500V
		Withstanding voltage	AC2000V/1Min
		Temp. range	-40℃~+105℃
		Torque	12.24kgf-cm/1.2Nm/10.6Lbin

材质及电镀		电气性能	
螺丝	M4.0, 钢, 镀锌	参考标准	UL IEC
焊脚	铜合金, 镀锡	额定电压	300V 400V
塑件	PA66, UL94V-0	额定电流	20A 24A
		使用线径	22-12AWG 2.5mm ²
		接触电阻	20mΩ
		绝缘电阻	500MΩ/DC500V
		耐电压	AC2000V/1Min
		温度范围	-40℃~+105℃
		扭矩	12.24kgf-cm/1.2Nm/10.6Lbin

MATERIAL		ELECTRICAL	
Screw	M4.0 Steel Ni plated	Standard	UL IEC
Pin Header	Copper alloy, Sn plated	Rated voltage	300V 400V
Housing	PA66, UL94V-0	Rated current	20A 24A
		Wire range	22-12AWG 2.5mm ²
		Contact resistance	20mΩ
		Insulation resistance	500MΩ/DC500V
		Withstanding voltage	AC2000V/1Min
		Temp. range	-40℃~+105℃
		Torque	12.24kgf-cm/1.2Nm/10.6Lbin

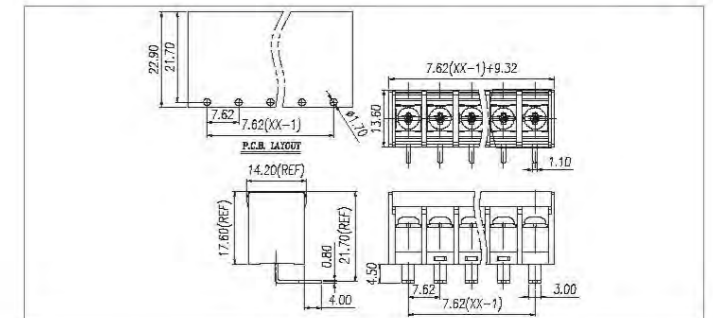
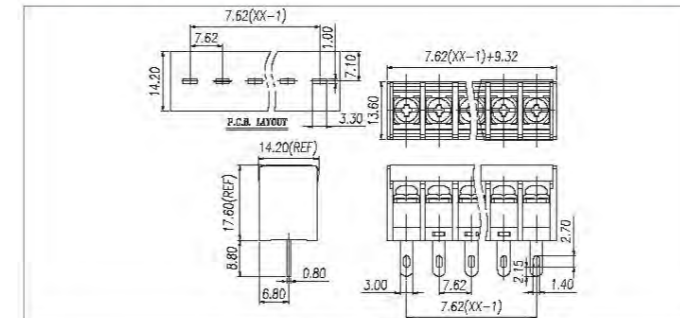
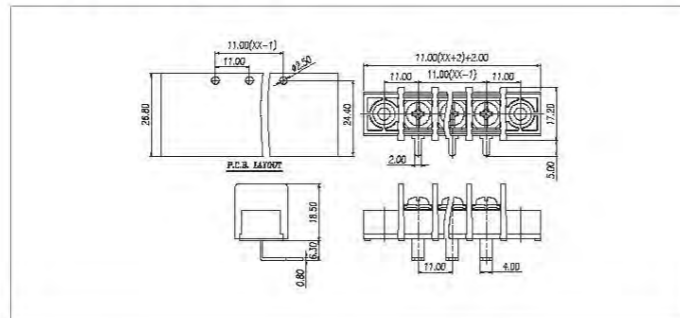
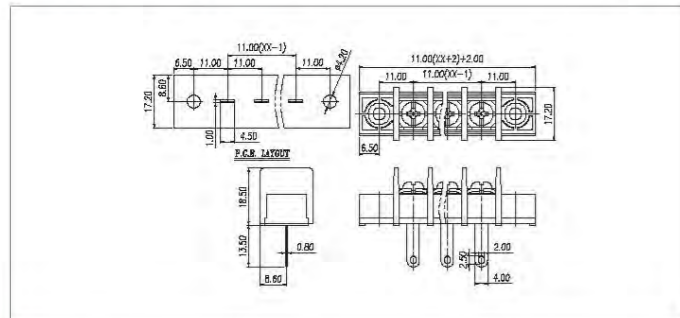
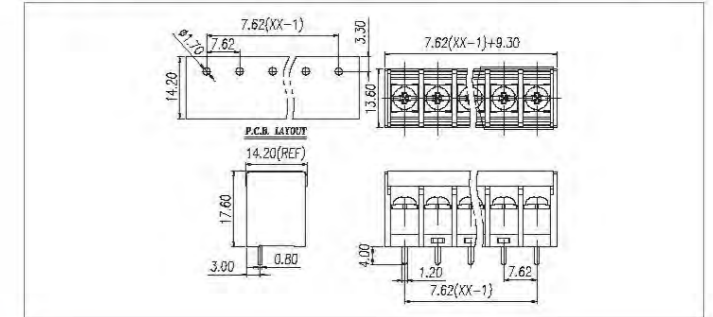
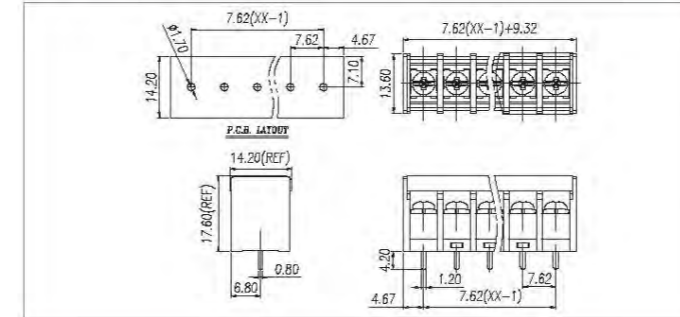
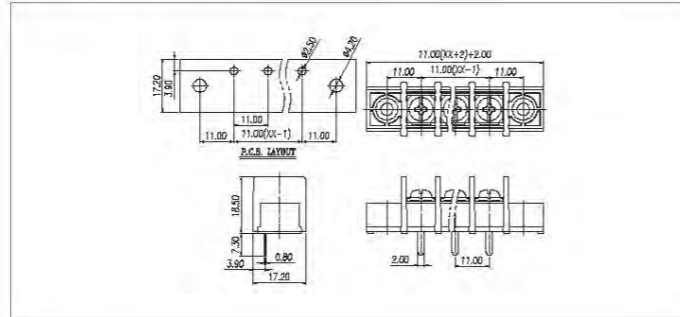
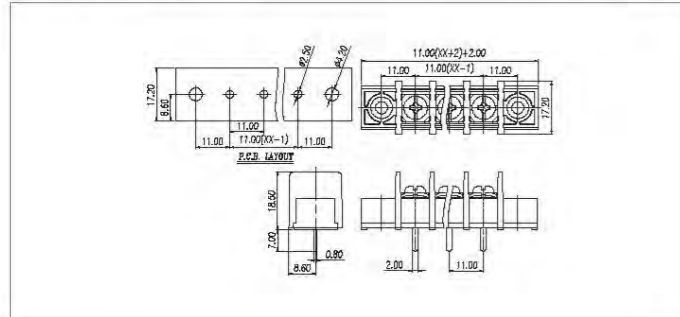


材质及电镀		电气性能	
螺丝	M4.0, 铜, 镀锡	参考标准	UL IEC
焊脚	铜合金, 镀锡	额定电压	300V 400V
塑件	PA66, UL94V-0	额定电流	20A 24A
		使用线径	22-12AWG 2.5mm ²
		接触电阻	20mΩ
		绝缘电阻	500MΩ/DC500V
		耐电压	AC2000V/1Min
		温度范围	-40℃~+105℃
		扭矩	12.24kgf-cm/1.2Nm/10.6Lbin

MATERIAL		ELECTRICAL	
Screw	M4.0 Steel Ni plated	Standard	UL IEC
Pin Header	Copper alloy, Sn plated	Rated voltage	300V 400V
Housing	PA66, UL94V-0	Rated current	20A 24A
		Wire range	22-12AWG 2.5mm ²
		Contact resistance	20mΩ
		Insulation resistance	500MΩ/DC500V
		Withstanding voltage	AC2000V/1Min
		Temp. range	-40℃~+105℃
		Torque	12.24kgf-cm/1.2Nm/10.6Lbin

材质及电镀		电气性能	
螺丝	M4.0, 铜, 镀锡	参考标准	UL IEC
焊脚	铜合金, 镀锡	额定电压	300V 500V
塑件	PA66, UL94V-0	额定电流	20A 32A
		使用线径	22-12AWG 4.0mm ²
		接触电阻	20mΩ
		绝缘电阻	500MΩ/DC500V
		耐电压	AC2000V/1Min
		温度范围	-40℃~+105℃
		扭矩	12.24kgf-cm/1.2Nm/10.6Lbin

MATERIAL		ELECTRICAL	
Screw	M4.0 Steel Ni plated	Standard	UL IEC
Pin Header	Copper alloy, Sn plated	Rated voltage	300V 500V
Housing	PA66, UL94V-0	Rated current	20A 32A
		Wire range	22-12AWG 4.0mm ²
		Contact resistance	20mΩ
		Insulation resistance	500MΩ/DC500V
		Withstanding voltage	AC2000V/1Min
		Temp. range	-40℃~+105℃
		Torque	12.24kgf-cm/1.2Nm/10.6Lbin

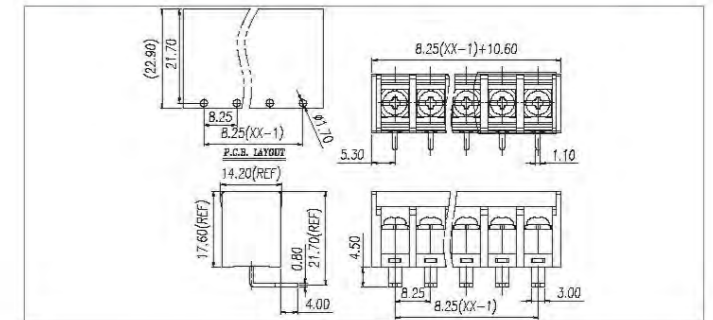
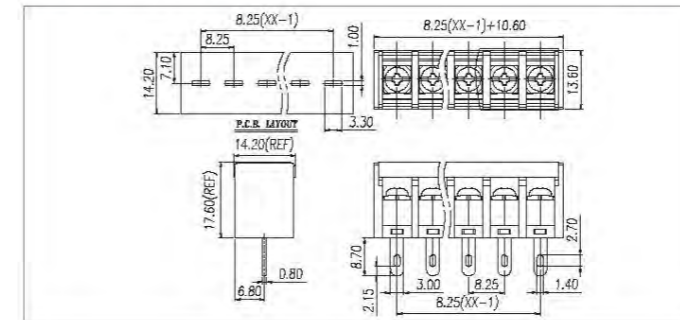
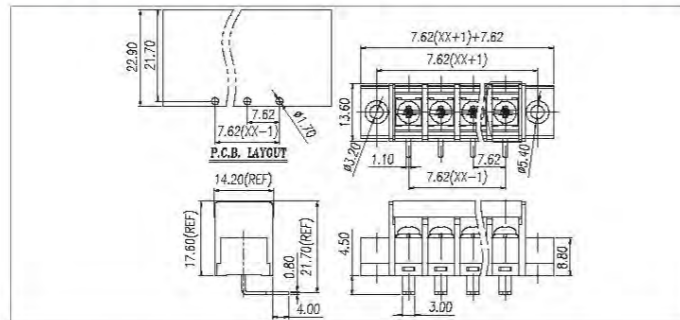
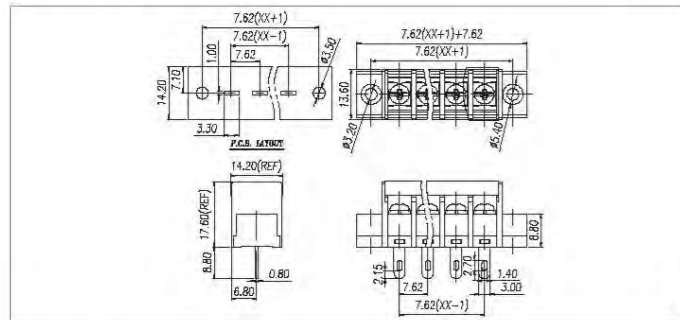
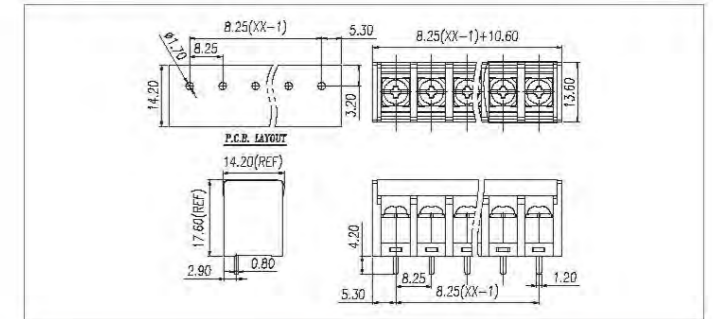
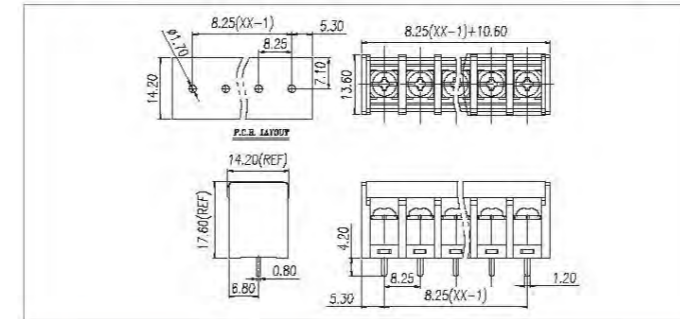
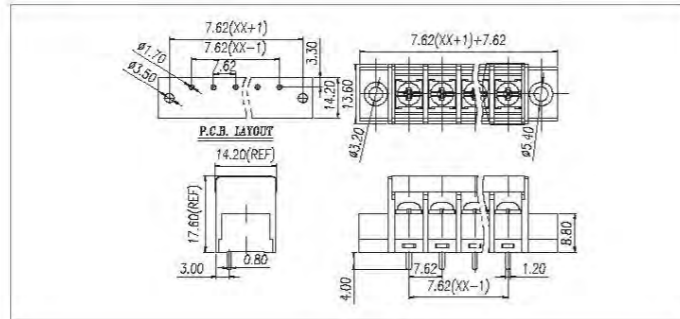
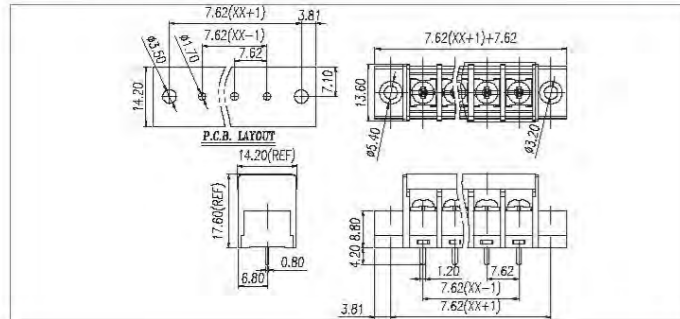


材质及电镀	螺丝 M4.0, 铜, 镀锌 焊脚 铜合金, 镀锡 塑件 PA66, UL94V-0	电气性能	UL 300V 20A 22-12AWG	IEC 500V 32A 4.0mm ²
			20mΩ	
			500MΩ/DC500V	
			AC2000V/1Min	
			-40°C~+105°C	
			12.24kgf-cm/1.2Nm/10.6Lbin	

MATERIAL	Screw M4.0 Steel Ni plated Pin Header Copper alloy, Sn plated Housing PA66, UL94V-0	ELECTRICAL	UL 300V 20A 22-12AWG	IEC 500V 32A 4.0mm ²
			20mΩ	
			500MΩ/DC500V	
			AC2000V/1Min	
			-40°C~+105°C	
			12.24kgf-cm/1.2Nm/10.6Lbin	

材质及电镀	螺丝 M3.0, 铜, 镀锌 焊脚 铜合金, 镀锡 塑件 PA66, UL94V-0	电气性能	UL 300V 15A 22-14AWG	IEC 400V 24A 2.5mm ²
			20mΩ	
			500MΩ/DC500V	
			AC2000V/1Min	
			-40°C~+105°C	
			5.10kgf-cm/0.5Nm/4.50Lbin	

MATERIAL	Screw M3.0 Steel Ni plated Pin Header Copper alloy, Sn plated Housing PA66, UL94V-0	ELECTRICAL	UL 300V 15A 22-14AWG	IEC 400V 24A 2.5mm ²
			20mΩ	
			500MΩ/DC500V	
			AC2000V/1Min	
			-40°C~+105°C	
			5.10kgf-cm/0.5Nm/4.50Lbin	

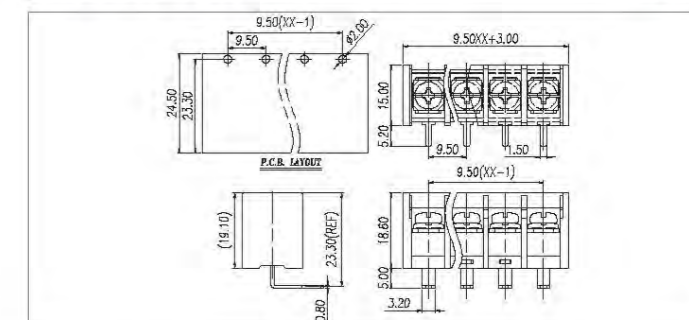
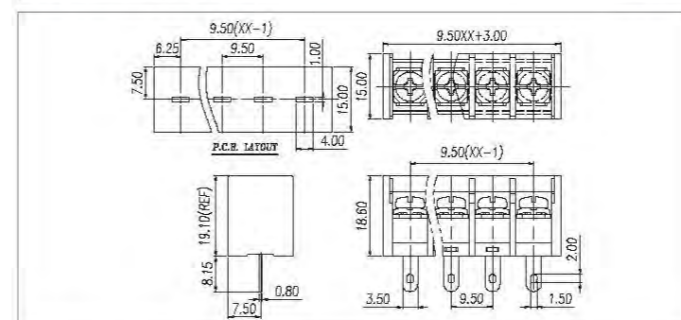
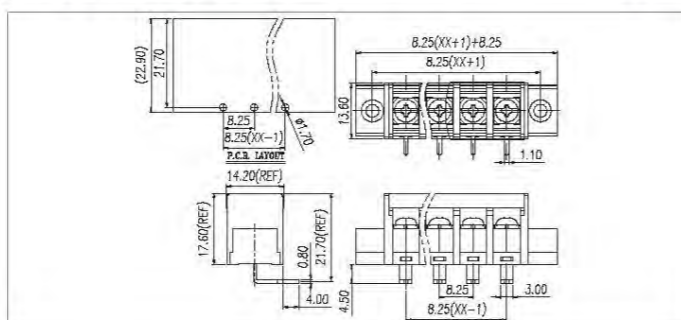
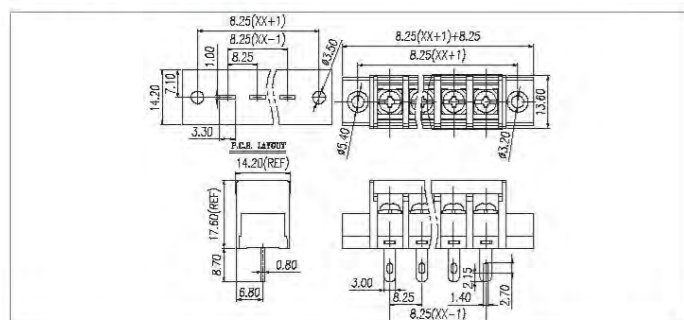
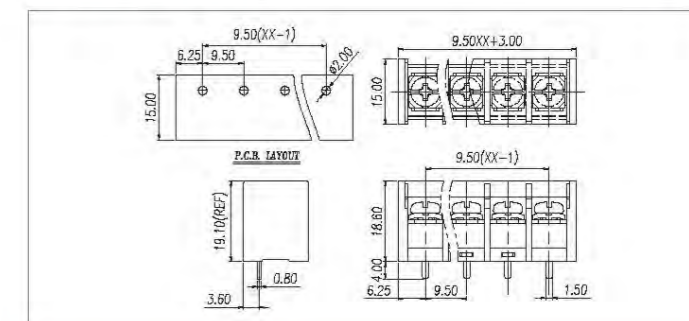
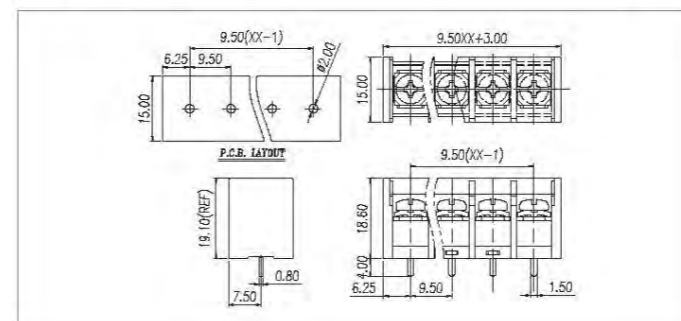
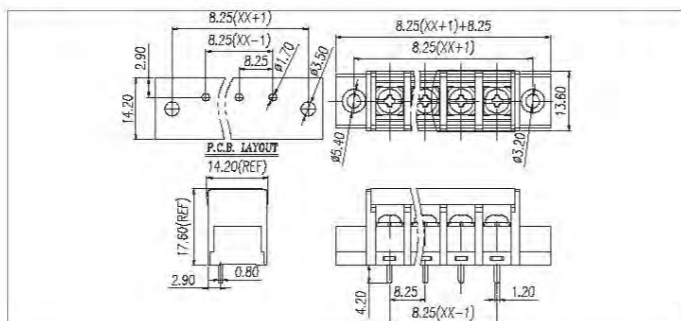
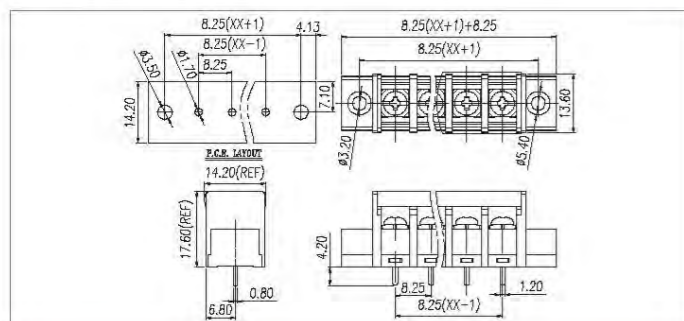


材质及电镀		电气性能	
螺丝	M3.0, 铜, 镀锌	参考标准	UL IEC
焊脚	铜合金, 镀锌	额定电压	300V 400V
塑件	PA66, UL94V-0	额定电流	15A 24A
		使用线径	22-14AWG 2.5mm ²
		接触电阻	20mΩ
		绝缘电阻	500MΩ/DC500V
		耐电压	AC2000V/1Min
		温度范围	-40°C~+105°C
		扭矩	5.10kgf-cm/0.5Nm/4.50Lbin

MATERIAL		ELECTRICAL	
Screw	M3.0 Steel Ni plated	Standard	UL IEC
Pin Header	Copper alloy, Sn plated	Rated voltage	300V 400V
Housing	PA66, UL94V-0	Rated current	15A 24A
		Wire range	22-14AWG 2.5mm ²
		Contact resistance	20mΩ
		Insulation resistance	500MΩ/DC500V
		Withstanding voltage	AC2000V/1Min
		Temp. range	-40°C~+105°C
		Torque	5.10kgf-cm/0.5Nm/4.50Lbin

材质及电镀		电气性能	
螺丝	M3.0, 铜, 镀锌	参考标准	UL IEC
焊脚	铜合金, 镀锌	额定电压	300V 320V
塑件	PA66, UL94V-0	额定电流	20A 24A
		使用线径	22-12AWG 2.5mm ²
		接触电阻	20mΩ
		绝缘电阻	500MΩ/DC500V
		耐电压	AC2000V/1Min
		温度范围	-40°C~+105°C
		扭矩	5.10kgf-cm/0.5Nm/4.50Lbin

MATERIAL		ELECTRICAL	
Screw	M3.0 Steel Ni plated	Standard	UL IEC
Pin Header	Copper alloy, Sn plated	Rated voltage	300V 320V
Housing	PA66, UL94V-0	Rated current	20A 24A
		Wire range	22-12AWG 2.5mm ²
		Contact resistance	20mΩ
		Insulation resistance	500MΩ/DC500V
		Withstanding voltage	AC2000V/1Min
		Temp. range	-40°C~+105°C
		Torque	5.10kgf-cm/0.5Nm/4.50Lbin

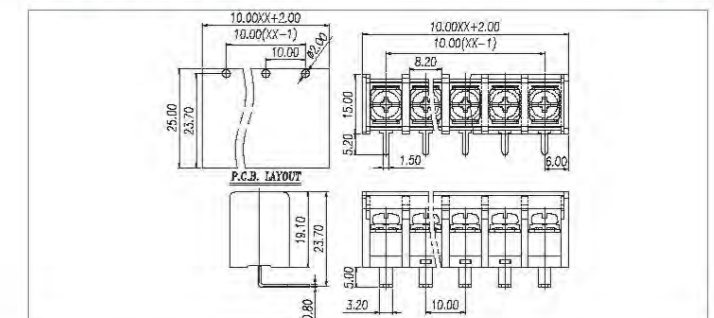
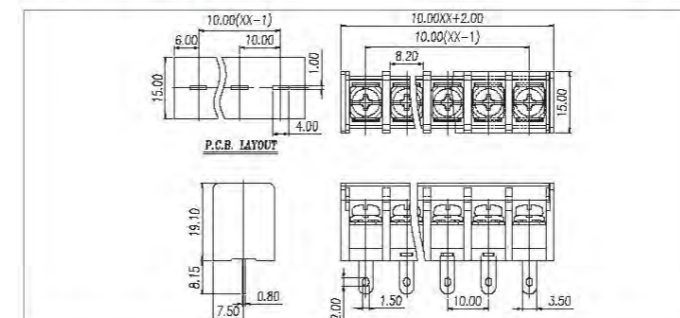
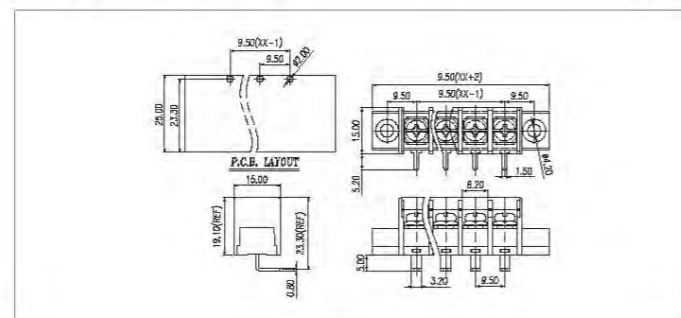
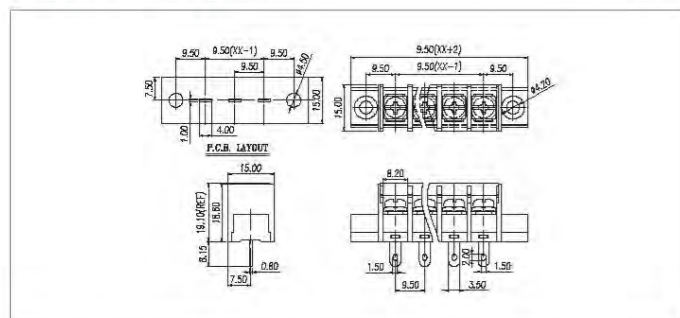
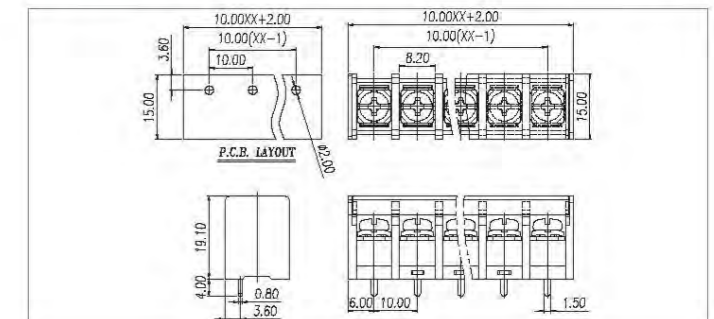
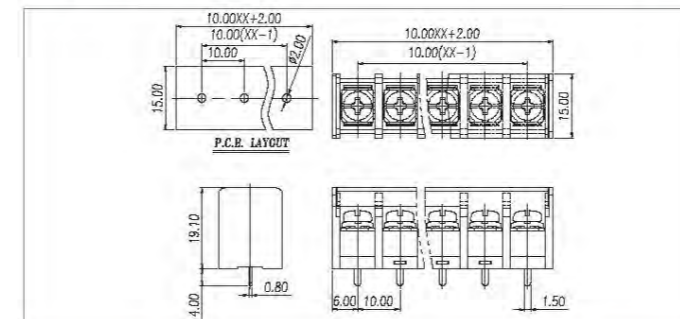
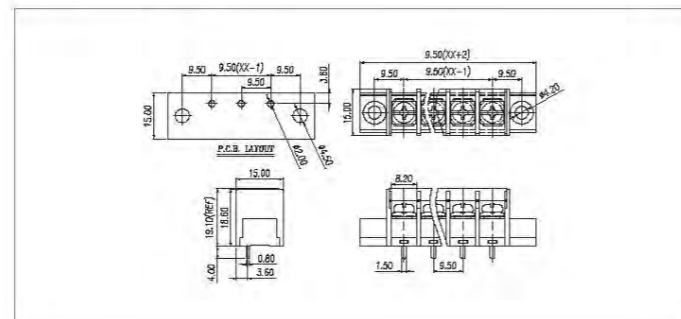
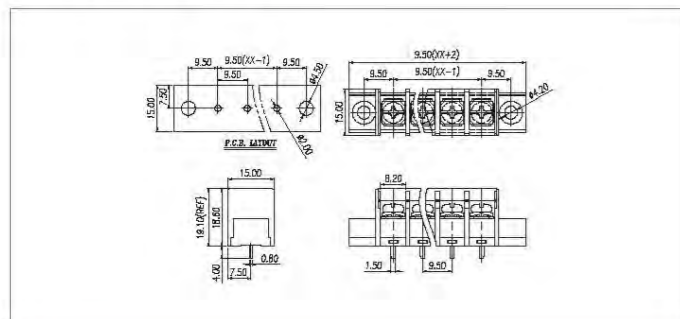


材质及电镀		电气性能	
螺丝	M3.0, 铜, 镀锌	参考标准	UL IEC
焊脚	铜合金, 镀锌	额定电压	300V 320V
塑件	PA66, UL94V-0	额定电流	20A 24A
		使用线径	22-12AWG 2.5mm ²
		接触电阻	20mΩ
		绝缘电阻	500MΩ/DC500V
		耐电压	AC2000V/1Min
		温度范围	-40°C~+105°C
		扭矩	5.10kgf-cm/0.5Nm/4.50Lbin

MATERIAL		ELECTRICAL	
Screw	M3.0 Steel Ni plated	Standard	UL IEC
Pin Header	Copper alloy, Sn plated	Rated voltage	300V 320V
Housing	PA66, UL94V-0	Rated current	20A 24A
		Wire range	22-12AWG 2.5mm ²
		Contact resistance	20mΩ
		Insulation resistance	500MΩ/DC500V
		Withstanding voltage	AC2000V/1Min
		Temp. range	-40°C~+105°C
		Torque	5.10kgf-cm/0.5Nm/4.50Lbin

材质及电镀		电气性能	
螺丝	M4.0, 铜, 镀锌	参考标准	UL IEC
焊脚	铜合金, 镀锌	额定电压	300V 400V
塑件	PA66, UL94V-0	额定电流	20A 24A
		使用线径	22-12AWG 2.5mm ²
		接触电阻	20mΩ
		绝缘电阻	500MΩ/DC500V
		耐电压	AC2000V/1Min
		温度范围	-40°C~+105°C
		扭矩	12.24kgf-cm/1.2Nm/10.6Lbin

MATERIAL		ELECTRICAL	
Screw	M4.0 Steel Ni plated	Standard	UL IEC
Pin Header	Copper alloy, Sn plated	Rated voltage	300V 400V
Housing	PA66, UL94V-0	Rated current	20A 24A
		Wire range	22-12AWG 2.5mm ²
		Contact resistance	20mΩ
		Insulation resistance	500MΩ/DC500V
		Withstanding voltage	AC2000V/1Min
		Temp. range	-40°C~+105°C
		Torque	12.24kgf-cm/1.2Nm/10.6Lbin

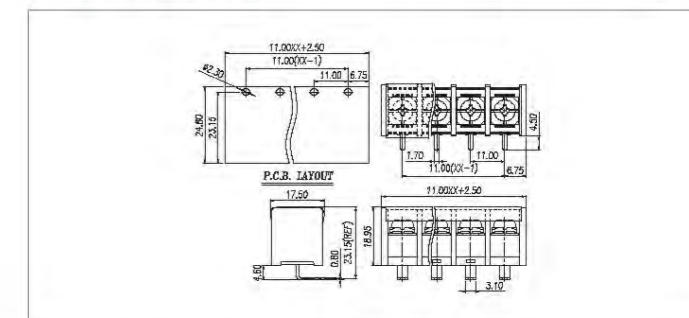
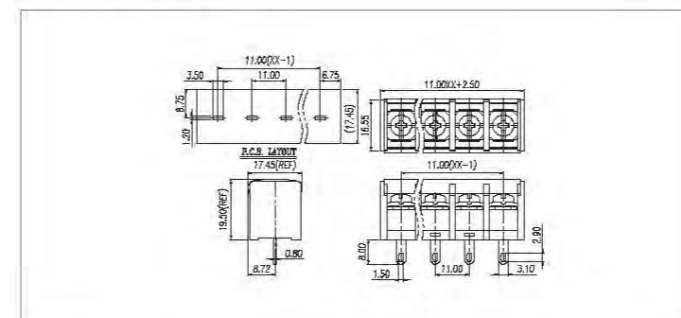
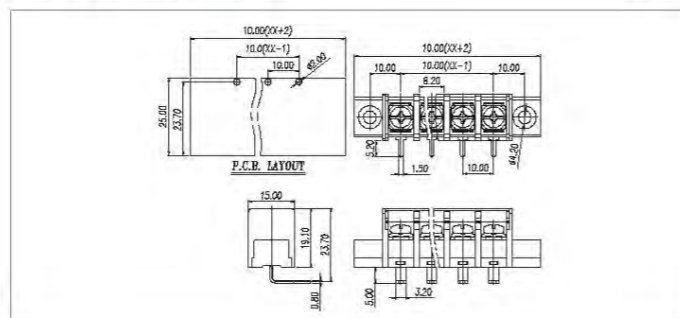
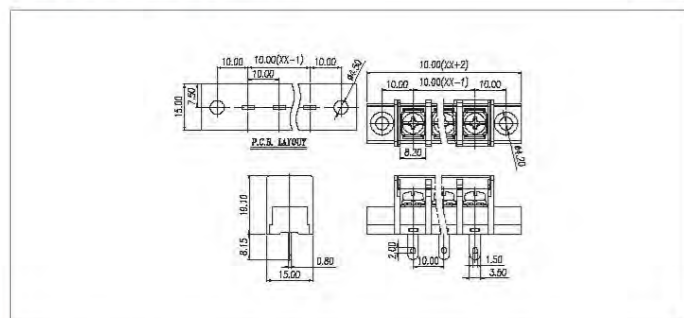
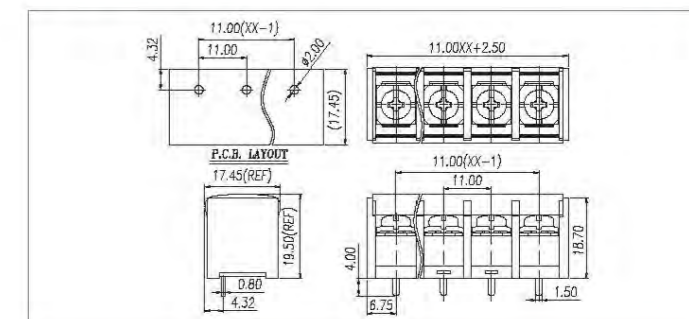
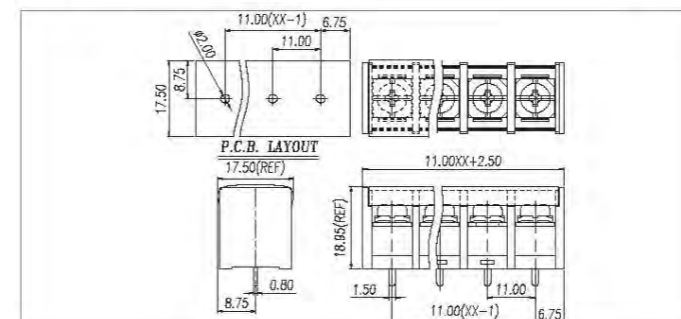
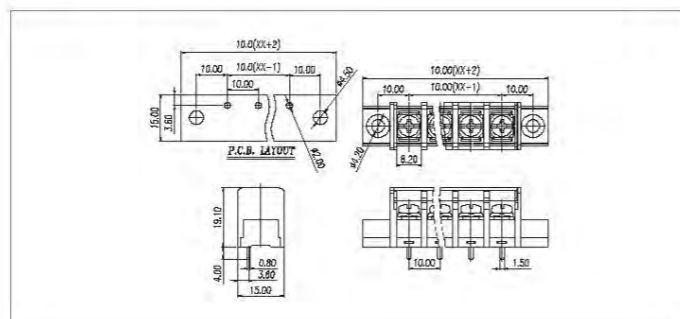
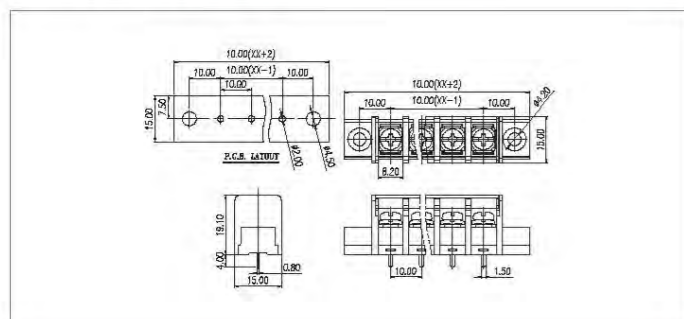


材质及电镀		电气性能	
螺丝	M4.0, 铜, 镀锌	参考标准	UL IEC
焊脚	铜合金, 镀锡	额定电压	300V 400V
塑件	PA66, UL94V-0	额定电流	20A 24A
		使用线径	22-12AWG 2.5mm ²
		接触电阻	20mΩ
		绝缘电阻	500MΩ/DC500V
		耐电压	AC2000V/1Min
		温度范围	-40℃~+105℃
		扭矩	12.24kgf-cm/1.2Nm/10.6Lbin

MATERIAL		ELECTRICAL	
Screw	M4.0 Steel Ni plated	Standard	UL IEC
Pin Header	Copper alloy, Sn plated	Rated voltage	300V 400V
Housing	PA66, UL94V-0	Rated current	20A 24A
		Wire range	22-12AWG 2.5mm ²
		Contact resistance	20mΩ
		Insulation resistance	500MΩ/DC500V
		Withstanding voltage	AC2000V/1Min
		Temp. range	-40℃~+105℃
		Torque	12.24kgf-cm/1.2Nm/10.6Lbin

材质及电镀		电气性能	
螺丝	M4.0, 铜, 镀锌	参考标准	UL IEC
焊脚	铜合金, 镀锡	额定电压	300V 400V
塑件	PA66, UL94V-0	额定电流	20A 24A
		使用线径	22-12AWG 2.5mm ²
		接触电阻	20mΩ
		绝缘电阻	500MΩ/DC500V
		耐电压	AC2000V/1Min
		温度范围	-40℃~+105℃
		扭矩	12.24kgf-cm/1.2Nm/10.6Lbin

MATERIAL		ELECTRICAL	
Screw	M4.0 Steel Ni plated	Standard	UL IEC
Pin Header	Copper alloy, Sn plated	Rated voltage	300V 400V
Housing	PA66, UL94V-0	Rated current	20A 24A
		Wire range	22-12AWG 2.5mm ²
		Contact resistance	20mΩ
		Insulation resistance	500MΩ/DC500V
		Withstanding voltage	AC2000V/1Min
		Temp. range	-40℃~+105℃
		Torque	12.24kgf-cm/1.2Nm/10.6Lbin

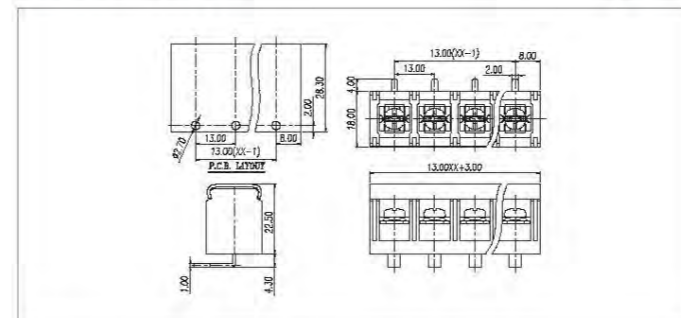
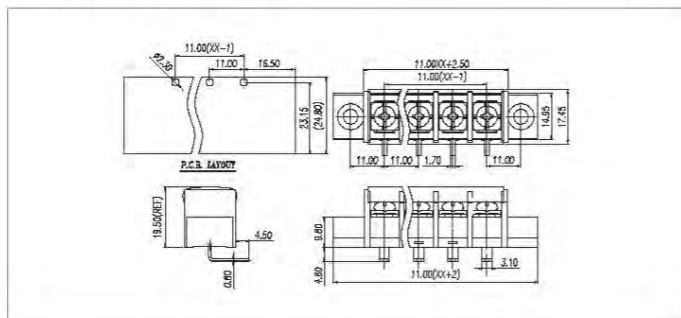
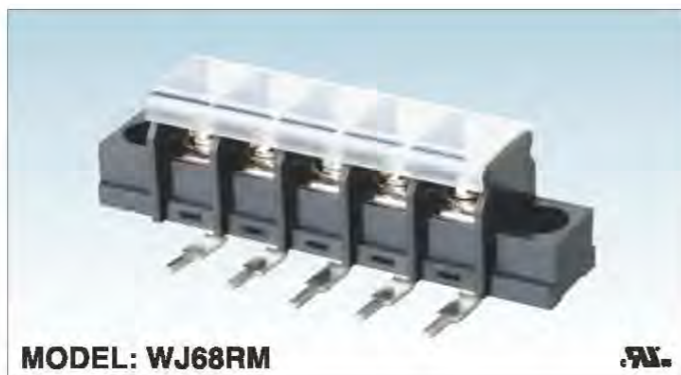
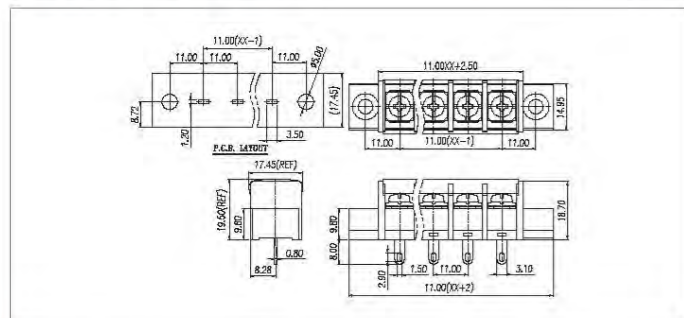
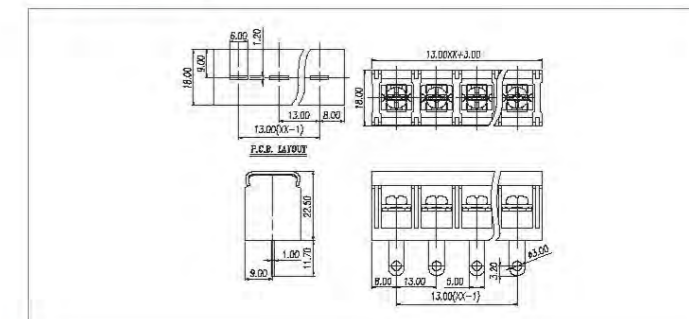
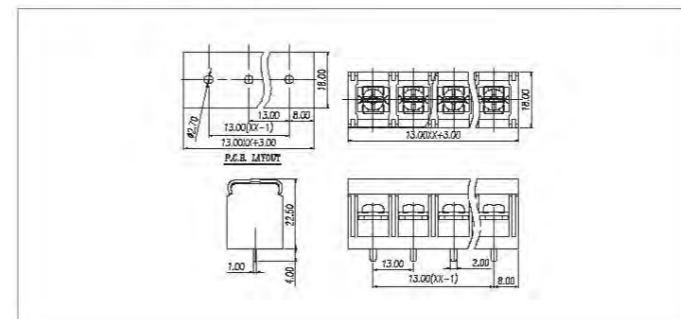
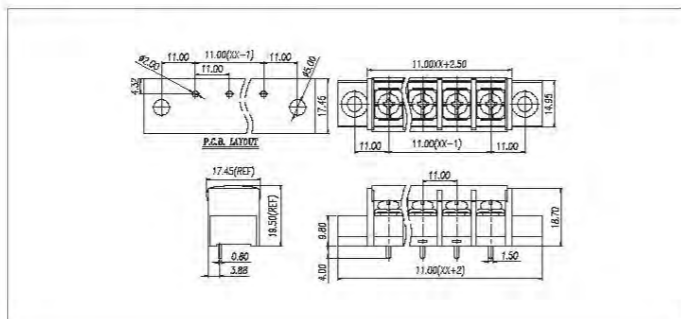
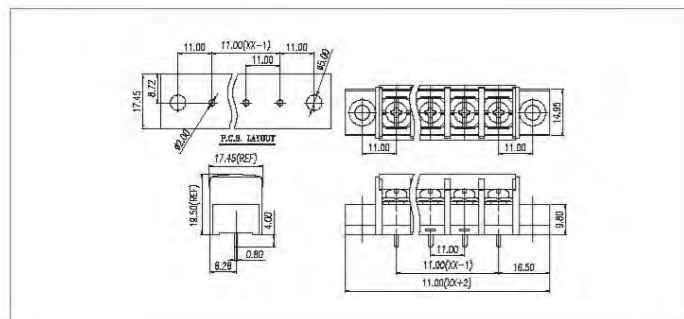


材质及电镀		电气性能	
螺丝	M4.0, 钢, 镀锌	参考标准	UL IEC
焊脚	铜合金, 镀锡	额定电压	300V 400V
塑件	PA66, UL94V-0	额定电流	20A 24A
		使用线径	22-12AWG 2.5mm ²
		接触电阻	20mΩ
		绝缘电阻	500MΩ/DC500V
		耐电压	AC2000V/1Min
		温度范围	-40℃~+105℃
		扭矩	12.24kgf-cm/1.2Nm/10.6Lbin

MATERIAL		ELECTRICAL	
Screw	M4.0 Steel Ni plated	Standard	UL IEC
Pin Header	Copper alloy, Sn plated	Rated voltage	300V 400V
Housing	PA66, UL94V-0	Rated current	20A 24A
		Wire range	22-12AWG 2.5mm ²
		Contact resistance	20mΩ
		Insulation resistance	500MΩ/DC500V
		Withstanding voltage	AC2000V/1Min
		Temp. range	-40℃~+105℃
		Torque	12.24kgf-cm/1.2Nm/10.6Lbin

材质及电镀		电气性能	
螺丝	M4.0, 钢, 镀锌	参考标准	UL IEC
焊脚	铜合金, 镀锡	额定电压	300V 500V
塑件	PA66, UL94V-0	额定电流	20A 24A
		使用线径	22-12AWG 2.5mm ²
		接触电阻	20mΩ
		绝缘电阻	500MΩ/DC500V
		耐电压	AC2000V/1Min
		温度范围	-40℃~+105℃
		扭矩	12.24kgf-cm/1.2Nm/10.6Lbin

MATERIAL		ELECTRICAL	
Screw	M4.0 Steel Ni plated	Standard	UL IEC
Pin Header	Copper alloy, Sn plated	Rated voltage	300V 500V
Housing	PA66, UL94V-0	Rated current	20A 24A
		Wire range	22-12AWG 2.5mm ²
		Contact resistance	20mΩ
		Insulation resistance	500MΩ/DC500V
		Withstanding voltage	AC2000V/1Min
		Temp. range	-40℃~+105℃
		Torque	12.24kgf-cm/1.2Nm/10.6Lbin

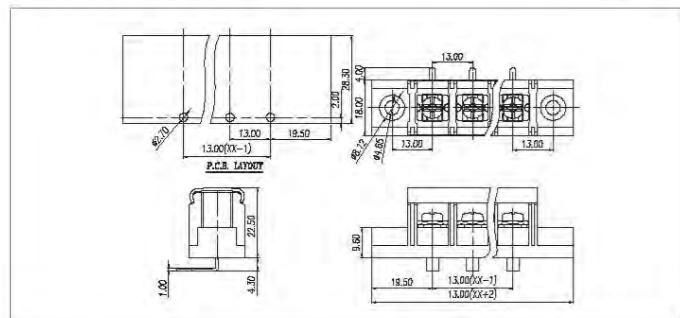
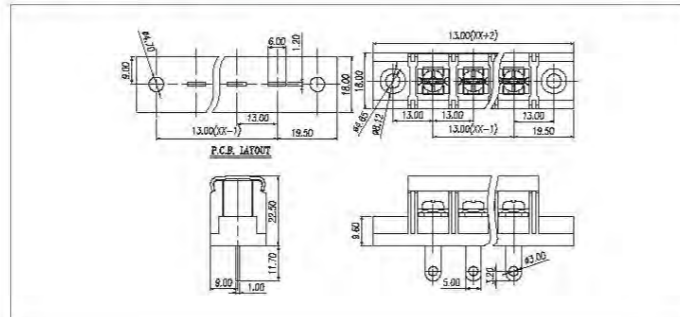
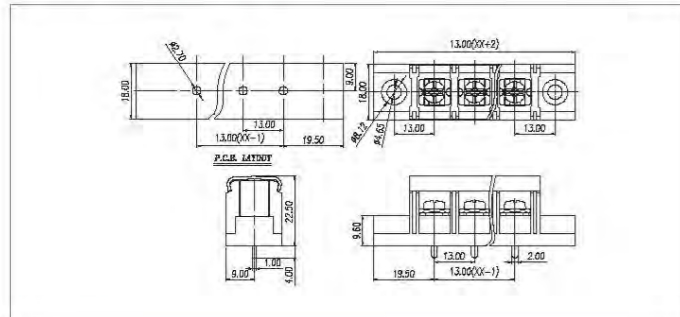


材质及电镀		电气性能	
螺丝	M4.0, 钢, 镀锌	参考标准	UL IEC
焊脚	铜合金, 镀锡	额定电压	300V 500V
塑件	PA66, UL94V-0	额定电流	20A 24A
		使用线径	22-12AWG 2.5mm ²
		接触电阻	20mΩ
		绝缘电阻	500MΩ/DC500V
		耐电压	AC2000V/1Min
		温度范围	-40℃~+105℃
		扭矩	12.24kgf-cm/1.2Nm/10.6Lbin

MATERIAL		ELECTRICAL	
Screw	M4.0 Steel Ni plated	Standard	UL IEC
Pin Header	Copper alloy, Sn plated	Rated voltage	300V 500V
Housing	PA66, UL94V-0	Rated current	20A 24A
		Wire range	22-12AWG 2.5mm ²
		Contact resistance	20mΩ
		Insulation resistance	500MΩ/DC500V
		Withstanding voltage	AC2000V/1Min
		Temp. range	-40℃~+105℃
		Torque	12.24kgf-cm/1.2Nm/10.6Lbin

材质及电镀		电气性能	
螺丝	M4.0, 钢, 镀锌	参考标准	UL IEC
焊脚	铜合金, 镀锡	额定电压	600V 630V
塑件	PA66, UL94V-0	额定电流	40A 41A
		使用线径	18-10AWG 6.0mm ²
		接触电阻	20mΩ
		绝缘电阻	500MΩ/DC500V
		耐电压	AC2000V/1Min
		温度范围	-40℃~+105℃
		扭矩	12.24kgf-cm/1.2Nm/10.6Lbin

MATERIAL		ELECTRICAL	
Screw	M4.0 Steel Ni plated	Standard	UL IEC
Pin Header	Copper alloy, Sn plated	Rated voltage	600V 630V
Housing	PA66, UL94V-0	Rated current	40A 41A
		Wire range	18-10AWG 6.0mm ²
		Contact resistance	20mΩ
		Insulation resistance	500MΩ/DC500V
		Withstanding voltage	AC2000V/1Min
		Temp. range	-40℃~+105℃
		Torque	12.24kgf-cm/1.2Nm/10.6Lbin



材质及电镀	螺丝 M4.0, 钢, 镀锌 铜合金, 镀锡 焊脚 PA66, UL94V-0 塑件	电气性能	UL 600V 40A 18-10AWG 20mΩ 500MΩ/DC500V AC2000V/1Min -40℃~+105℃ 12.24kgf-cm/1.2Nm/10.6Lbin	IEC 630V 41A 6.0mm ²
--------------	-----------------------------------------------------	-------------	-------------------------------------------------------------------------------------------------------------------	------------------------------------------

MATERIAL	Screw M4.0 Steel Ni plated Pin Header Copper alloy, Sn plated Housing PA66, UL94V-0	ELECTRICAL	UL 600V 40A 18-10AWG 20mΩ 500MΩ/DC500V AC2000V/1Min -40℃~+105℃ 12.24kgf-cm/1.2Nm/10.6Lbin	IEC 630V 41A 6.0mm ²
-----------------	-------------------------------------------------------------------------------------------	-------------------	-------------------------------------------------------------------------------------------------------------------	------------------------------------------



MODEL: WJ06



MODEL: WJ16



MODEL: WJ16A

认证/CERTIFICATION	UL, IEC	
材质及电镀	M3, 钢, 镀锌 铜合金, 镀锡 焊脚 PA66, UL94V-0 塑件	
电气性能	UL 300V 15A 22-14AWG 20mΩ 500MΩ/DC500V AC2000V/1Min	IEC 250V 24A 2.5mm ²
机械性能	-40℃~+105℃ 5.1kgf-cm/0.5Nm/4.43Lbin	

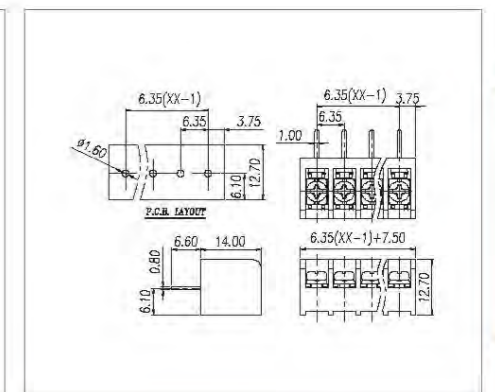
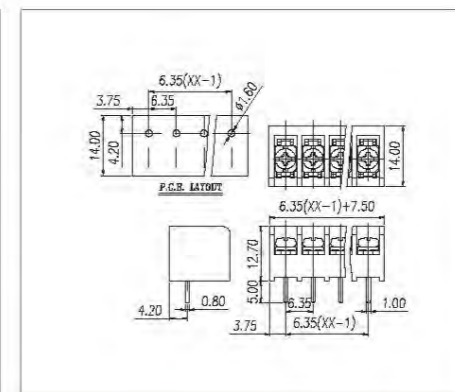
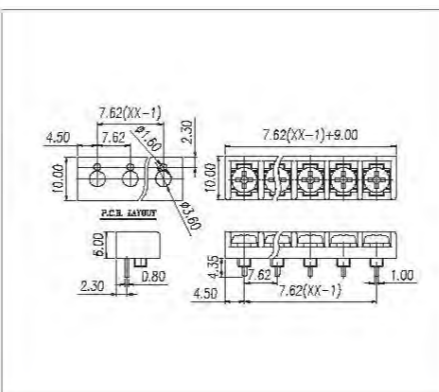
认证/CERTIFICATION	UL, IEC	
材质及电镀	M3, 钢, 镀锌 铜合金, 镀锡 焊脚 PA66, UL94V-0 塑件	
电气性能	UL 300V 10A 22-16AWG 20mΩ 500MΩ/DC500V AC2000V/1Min	IEC 250V 17.5A 1.5mm ²
机械性能	-40℃~+105℃ 5.1kgf-cm/0.5Nm/4.43Lbin	

认证/CERTIFICATION	UL, IEC	
材质及电镀	M3, 钢, 镀锌 铜合金, 镀锡 焊脚 PA66, UL94V-0 塑件	
电气性能	UL 300V 10A 22-16AWG 20mΩ 500MΩ/DC500V AC2000V/1Min	IEC 250V 17.5A 1.5mm ²
机械性能	-40℃~+105℃ 5.1kgf-cm/0.5Nm/4.43Lbin	

MATERIAL	M3, Steel, Ni plated Copper alloy, Sn Plated PA66, UL94V-0	
ELECTRICAL	UL 300V 15A 22-14AWG 20mΩ 500MΩ/DC500V AC2000V/1Min	IEC 250V 24A 2.5mm ²
MECHANICAL	-40℃~+105℃ 5.1kgf-cm/0.5Nm/4.43Lbin	

MATERIAL	M3, Steel, Ni plated Copper alloy, Sn Plated PA66, UL94V-0	
ELECTRICAL	UL 300V 10A 22-16AWG 20mΩ 500MΩ/DC500V AC2000V/1Min	IEC 250V 17.5A 1.5mm ²
MECHANICAL	-40℃~+105℃ 5.1kgf-cm/0.5Nm/4.43Lbin	

MATERIAL	M3.0 Steel Ni plated Copper alloy, Sn Plated PA66, UL94V-0	
ELECTRICAL	UL 300V 10A 22-16AWG 20mΩ 500MΩ/DC500V AC2000V/1Min	IEC 250V 17.5A 1.5mm ²
MECHANICAL	-40℃~+105℃ 5.1kgf-cm/0.5Nm/4.43Lbin	





Pitch:6.35mm

MODEL: WJ16R



Pitch:8.5mm

MODEL: WJ26



Pitch:8.25mm

MODEL: WJ36



Pitch:8.25mm

MODEL: WJ36SG



Pitch:8.25mm

MODEL: WJ36A



Pitch:8.25mm

MODEL: WJ36G

认证/CERTIFICATION		UL	
材质及电镀			
螺丝	M3, 钢, 镀锌		
焊脚	铜合金, 镀锡		
塑件	PA66, UL94V-0		
电气性能			
参考标准	UL	IEC	
额定电压	300V	250V	
额定电流	10A	17.5A	
使用线径	22-16AWG	1.5mm ²	
接触电阻	20mΩ		
绝缘电阻	500MΩ/DC500V		
耐电压	AC2000V/1Min		
机械性能			
温度范围	-40℃~+105℃		
扭矩	5.1kgf-cm/0.5Nm/4.43Lbin		

认证/CERTIFICATION		UL		IEC	
材质及电镀					
螺丝	M3, 钢, 镀锌				
焊脚	铜合金, 镀锡				
塑件	PA66, UL94V-0				
电气性能					
参考标准	UL	IEC			
额定电压	300V	400V			
额定电流	20A	24A			
使用线径	22-12AWG	2.5mm ²			
接触电阻	20mΩ				
绝缘电阻	500MΩ/DC500V				
耐电压	AC2000V/1Min				
机械性能					
温度范围	-40℃~+105℃				
扭矩	5.1kgf-cm/0.5Nm/4.43Lbin				

认证/CERTIFICATION		UL		IEC	
材质及电镀					
螺丝	M3, 钢, 镀锌				
焊脚	铜合金, 镀锡				
塑件	PA66, UL94V-0				
电气性能					
参考标准	UL	IEC			
额定电压	300V	400V			
额定电流	20A	24A			
使用线径	22-12AWG	2.5mm ²			
接触电阻	20mΩ				
绝缘电阻	500MΩ/DC500V				
耐电压	AC2000V/1Min				
机械性能					
温度范围	-40℃~+105℃				
扭矩	5.1kgf-cm/0.5Nm/4.43Lbin				

认证/CERTIFICATION		UL		IEC	
材质及电镀					
螺丝	M3, 钢, 镀锌				
焊脚	铜合金, 镀锡				
塑件	PA66, UL94V-0				
电气性能					
参考标准	UL	IEC			
额定电压	300V	400V			
额定电流	20A	24A			
使用线径	22-12AWG	2.5mm ²			
接触电阻	20mΩ				
绝缘电阻	500MΩ/DC500V				
耐电压	AC2000V/1Min				
机械性能					
温度范围	-40℃~+105℃				
扭矩	5.1kgf-cm/0.5Nm/4.43Lbin				

认证/CERTIFICATION		UL		IEC	
材质及电镀					
螺丝	M3, 钢, 镀锌				
焊脚	铜合金, 镀锡				
塑件	PA66, UL94V-0				
电气性能					
参考标准	UL	IEC			
额定电压	300V	450V			
额定电流	20A	24A			
使用线径	22-12AWG	2.5mm ²			
接触电阻	20mΩ				
绝缘电阻	500MΩ/DC500V				
耐电压	AC2000V/1Min				
机械性能					
温度范围	-40℃~+105℃				
扭矩	5.1kgf-cm/0.5Nm/4.43Lbin				

认证/CERTIFICATION		UL		IEC	
材质及电镀					
螺丝	M3, 钢, 镀锌				
焊脚	铜合金, 镀锡				
塑件	PA66, UL94V-0				
电气性能					
参考标准	UL	IEC			
额定电压	300V	450V			
额定电流	20A	24A			
使用线径	22-12AWG	2.5mm ²			
接触电阻	20mΩ				
绝缘电阻	500MΩ/DC500V				
耐电压	AC2000V/1Min				
机械性能					
温度范围	-40℃~+105℃				
扭矩	5.1kgf-cm/0.5Nm/4.43Lbin				

MATERIAL		M3.0 Steel Ni plated		Copper alloy, Sn Plated		PA66, UL94V-0	
Screw							
Pin Herder							
Housing							
ELECTRICAL							
Standard	UL	IEC					
Rated voltage	300V	250V					
Rated current	10A	17.5A					
Wire range	22-16AWG	1.5mm ²					
Contact resistance	20mΩ						
Insulation resistance	500MΩ/DC500V						
Withstanding voltage	AC2000V/1Min						
MECHANICAL							
Temp. range	-40℃~+105℃						
Torque	5.1kgf-cm/0.5Nm/4.43Lbin						

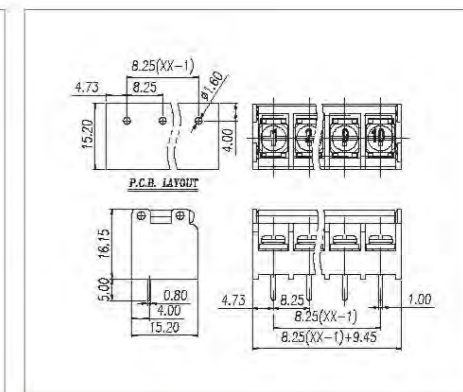
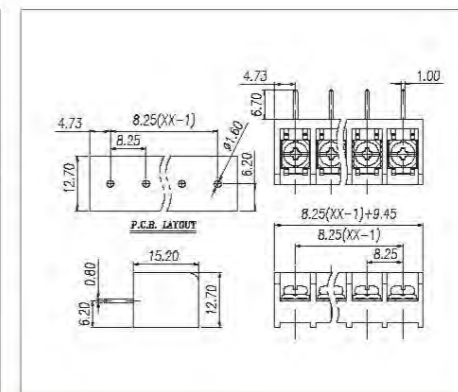
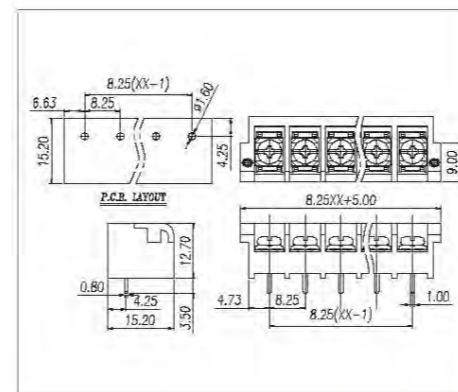
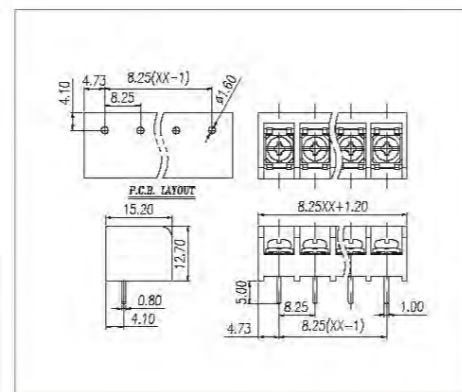
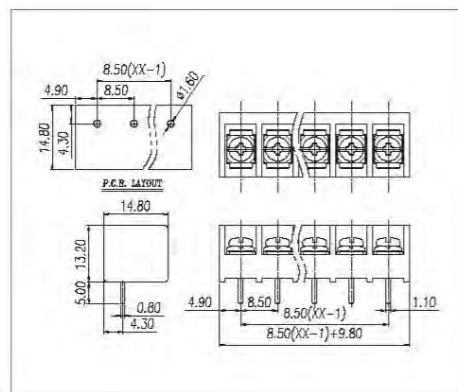
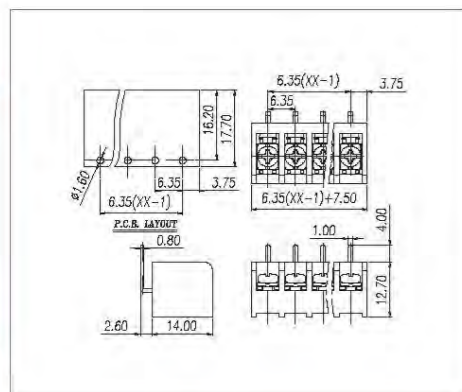
MATERIAL		M3.0 Steel Ni plated		Copper alloy, Sn Plated		PA66, UL94V-0	
Screw							
Pin Herder							
Housing							
ELECTRICAL							
Standard	UL	IEC					
Rated voltage	300V	400V					
Rated current	20A	24A					
Wire range	22-12AWG	2.5mm ²					
Contact resistance	20mΩ						
Insulation resistance	500MΩ/DC500V						
Withstanding voltage	AC2000V/1Min						
MECHANICAL							
Temp. range	-40℃~+105℃						
Torque	5.1kgf-cm/0.5Nm/4.43Lbin						

MATERIAL		M3.0 Steel Ni plated		Copper alloy, Sn Plated		PA66, UL94V-0	
Screw							
Pin Herder							
Housing							
ELECTRICAL							
Standard	UL	IEC					
Rated voltage	300V	400V					
Rated current	20A	24A					
Wire range	22-12AWG	2.5mm ²					
Contact resistance	20mΩ						
Insulation resistance	500MΩ/DC500V						
Withstanding voltage	AC2000V/1Min						
MECHANICAL							
Temp. range	-40℃~+105℃						
Torque	5.1kgf-cm/0.5Nm/4.43Lbin						

MATERIAL		M3.0 Steel Ni plated		Copper alloy, Sn Plated		PA66, UL94V-0	
Screw							
Pin Herder							
Housing							
ELECTRICAL							
Standard	UL	IEC					
Rated voltage	300V	400V					
Rated current	20A	24A					
Wire range	22-12AWG	2.5mm ²					
Contact resistance	20mΩ						
Insulation resistance	500MΩ/DC500V						
Withstanding voltage	AC2000V/1Min						
MECHANICAL							
Temp. range	-40℃~+105℃						
Torque	5.1kgf-cm/0.5Nm/4.43Lbin						

MATERIAL		M3.0 Steel Ni plated		Copper alloy, Sn Plated		PA66, UL94V-0	
Screw							
Pin Herder							
Housing							
ELECTRICAL							
Standard	UL	IEC					
Rated voltage	300V	450V					
Rated current	20A	24A					
Wire range	22-12AWG	2.5mm ²					
Contact resistance	20mΩ						
Insulation resistance	500MΩ/DC500V						
Withstanding voltage	AC2000V/1Min						
MECHANICAL							
Temp. range	-40℃~+105℃						
Torque	5.1kgf-cm/0.5Nm/4.43Lbin						

MATERIAL		M3.0 Steel Ni plated		Copper alloy, Sn Plated		PA66, UL94V-0	
Screw							
Pin Herder							
Housing							
ELECTRICAL							
Standard	UL	IEC					
Rated voltage	300V	450V					
Rated current	20A	24A					
Wire range	22-12AWG	2.5mm ²					
Contact resistance	20mΩ						
Insulation resistance	500MΩ/DC500V						
Withstanding voltage	AC2000V/1Min						
MECHANICAL							
Temp. range	-40℃~+105℃						
Torque	5.1kgf-cm/0.5Nm/4.43Lbin						





Pitch:9.5mm

MODEL: WJ46



Pitch:9.5mm

MODEL: WJ46SG



Pitch:9.5mm

MODEL: WJ46A



Pitch:9.5mm

MODEL: WJ46G



Pitch:9.5mm

MODEL: WJ46GA



Pitch:9.5mm

MODEL: WJ46GX

认证/CERTIFICATION

材质及电镀	M4.0, 钢 镀锌	
螺丝	铜合金, 镀锌	
焊脚	PA66, UL94V-0	
塑件		
电气性能	UL	IEC
参考标准	300V	400V
额定电压	20A	24A
额定电流	22-12AWG	2.5mm ²
使用线径	20mΩ	
接触电阻	500MΩ/DC500V	
绝缘电阻	AC2000V/1Min	
耐压		
机械性能	-40℃~+105℃	
温度范围	12.24kgf-cm/1.2Nm/10.6Lbin	
扭矩		

认证/CERTIFICATION

材质及电镀	M4.0, 钢 镀锌	
螺丝	铜合金, 镀锌	
焊脚	PA66, UL94V-0	
塑件		
电气性能	UL	IEC
参考标准	300V	400V
额定电压	20A	24A
额定电流	22-12AWG	2.5mm ²
使用线径	20mΩ	
接触电阻	500MΩ/DC500V	
绝缘电阻	AC2000V/1Min	
耐压		
机械性能	-40℃~+105℃	
温度范围	12.24kgf-cm/1.2Nm/10.6Lbin	
扭矩		

认证/CERTIFICATION

材质及电镀	M4.0, 钢 镀锌	
螺丝	铜合金, 镀锌	
焊脚	PA66, UL94V-0	
塑件		
电气性能	UL	IEC
参考标准	300V	400V
额定电压	20A	24A
额定电流	22-12AWG	2.5mm ²
使用线径	20mΩ	
接触电阻	500MΩ/DC500V	
绝缘电阻	AC2000V/1Min	
耐压		
机械性能	-40℃~+105℃	
温度范围	12.24kgf-cm/1.2Nm/10.6Lbin	
扭矩		

认证/CERTIFICATION

材质及电镀	M4.0, 钢 镀锌	
螺丝	铜合金, 镀锌	
焊脚	PA66, UL94V-0	
塑件		
电气性能	UL	IEC
参考标准	300V	400V
额定电压	20A	24A
额定电流	22-12AWG	2.5mm ²
使用线径	20mΩ	
接触电阻	500MΩ/DC500V	
绝缘电阻	AC2000V/1Min	
耐压		
机械性能	-40℃~+105℃	
温度范围	12.24kgf-cm/1.2Nm/10.6Lbin	
扭矩		

认证/CERTIFICATION

材质及电镀	M4.0, 钢 镀锌	
螺丝	铜合金, 镀锌	
焊脚	PA66, UL94V-0	
塑件		
电气性能	UL	IEC
参考标准	300V	400V
额定电压	20A	24A
额定电流	22-12AWG	2.5mm ²
使用线径	20mΩ	
接触电阻	500MΩ/DC500V	
绝缘电阻	AC2000V/1Min	
耐压		
机械性能	-40℃~+105℃	
温度范围	12.24kgf-cm/1.2Nm/10.6Lbin	
扭矩		

认证/CERTIFICATION

材质及电镀	M4.0, 钢 镀锌	
螺丝	铜合金, 镀锌	
焊脚	PA66, UL94V-0	
塑件		
电气性能	UL	IEC
参考标准	300V	400V
额定电压	20A	24A
额定电流	22-12AWG	2.5mm ²
使用线径	20mΩ	
接触电阻	500MΩ/DC500V	
绝缘电阻	AC2000V/1Min	
耐压		
机械性能	-40℃~+105℃	
温度范围	12.24kgf-cm/1.2Nm/10.6Lbin	
扭矩		

MATERIAL	M4.0 Steel Ni plated	
Screw	Copper alloy, Sn Plated	
Pin Herder	PA66, UL94V-0	
Housing		

ELECTRICAL	UL	IEC
Standard	300V	400V
Rated voltage	20A	24A
Rated current	22-12AWG	2.5mm ²
Wire range	20mΩ	
Contact resistance	500MΩ/DC500V	
Insulation resistance	AC2000V/1Min	
Withstanding voltage		
MECHANICAL	-40℃~+105℃	
Temp. range	12.24kgf-cm/1.2Nm/10.6Lbin	
Torque		

MATERIAL	M4.0 Steel Ni plated	
Screw	Copper alloy, Sn Plated	
Pin Herder	PA66, UL94V-0	
Housing		

ELECTRICAL	UL	IEC
Standard	300V	400V
Rated voltage	20A	24A
Rated current	22-12AWG	2.5mm ²
Wire range	20mΩ	
Contact resistance	500MΩ/DC500V	
Insulation resistance	AC2000V/1Min	
Withstanding voltage		
MECHANICAL	-40℃~+105℃	
Temp. range	12.24kgf-cm/1.2Nm/10.6Lbin	
Torque		

MATERIAL	M4.0 Steel Ni plated	
Screw	Copper alloy, Sn Plated	
Pin Herder	PA66, UL94V-0	
Housing		

ELECTRICAL	UL	IEC
Standard	300V	400V
Rated voltage	20A	24A
Rated current	22-12AWG	2.5mm ²
Wire range	20mΩ	
Contact resistance	500MΩ/DC500V	
Insulation resistance	AC2000V/1Min	
Withstanding voltage		
MECHANICAL	-40℃~+105℃	
Temp. range	12.24kgf-cm/1.2Nm/10.6Lbin	
Torque		

MATERIAL	M4.0 Steel Ni plated	
Screw	Copper alloy, Sn Plated	
Pin Herder	PA66, UL94V-0	
Housing		

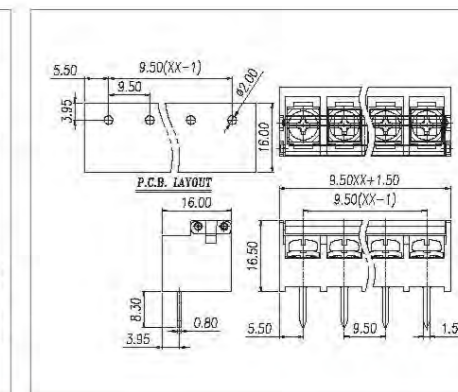
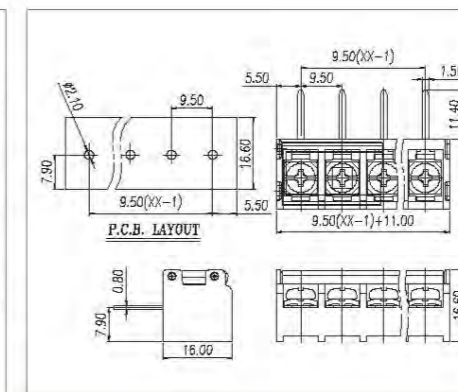
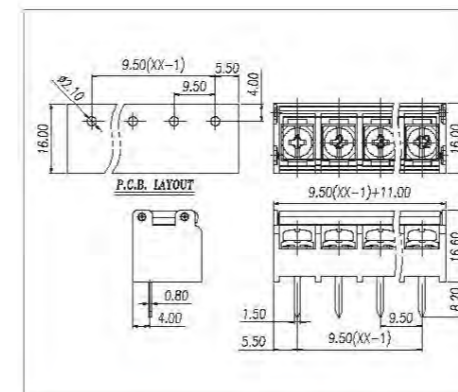
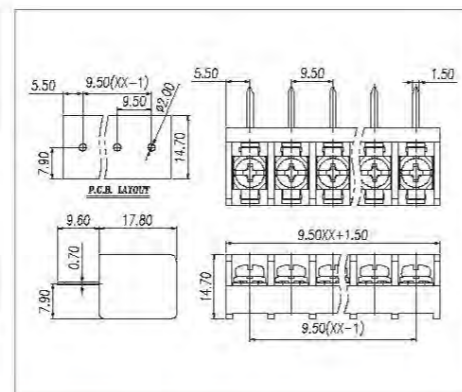
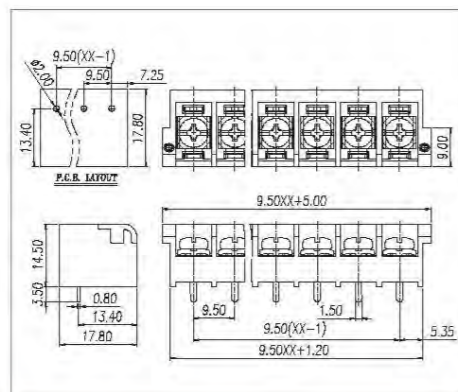
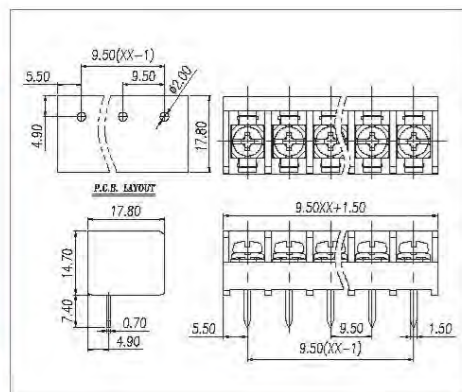
ELECTRICAL	UL	IEC
Standard	300V	400V
Rated voltage	20A	24A
Rated current	22-12AWG	2.5mm ²
Wire range	20mΩ	
Contact resistance	500MΩ/DC500V	
Insulation resistance	AC2000V/1Min	
Withstanding voltage		
MECHANICAL	-40℃~+105℃	
Temp. range	12.24kgf-cm/1.2Nm/10.6Lbin	
Torque		

MATERIAL	M4.0 Steel Ni plated	
Screw	Copper alloy, Sn Plated	
Pin Herder	PA66, UL94V-0	
Housing		

ELECTRICAL	UL	IEC
Standard	300V	400V
Rated voltage	20A	24A
Rated current	22-12AWG	2.5mm ²
Wire range	20mΩ	
Contact resistance	500MΩ/DC500V	
Insulation resistance	AC2000V/1Min	
Withstanding voltage		
MECHANICAL	-40℃~+105℃	
Temp. range	12.24kgf-cm/1.2Nm/10.6Lbin	
Torque		

MATERIAL	M4.0 Steel Ni plated	
Screw	Copper alloy, Sn Plated	
Pin Herder	PA66, UL94V-0	
Housing		

ELECTRICAL	UL	IEC
Standard	300V	400V
Rated voltage	20A	24A
Rated current	22-12AWG	2.5mm ²
Wire range	20mΩ	
Contact resistance	500MΩ/DC500V	
Insulation resistance	AC2000V/1Min	
Withstanding voltage		
MECHANICAL	-40℃~+105℃	
Temp. range	12.24kgf-cm/1.2Nm/10.6Lbin	
Torque		





Pitch:9.5mm

MODEL: WJ46GG



Pitch:11.1mm

MODEL: WJ66



Pitch:11.1mm

MODEL: WJ66A



Pitch:9.5mm

MODEL: WJ45X



Pitch:9.5mm

MODEL: WJ48RW



Pitch:10.0mm

MODEL: WJ58RW

认证/CERTIFICATION		
材质及电镀	M4.0, 钢 镀锌 铜合金, 镀锡 PA66, UL94V-0	
电气性能	UL	IEC
参考标准	300V	400V
额定电压	20A	24A
额定电流	22-12AWG	2.5mm ²
使用线径	20mΩ	
接触电阻	500MΩ/DC500V	
绝缘电阻	AC2000V/1Min	
耐压	-40℃~+105℃	
机械性能	12.24kgf-cm/1.2Nm/10.6Lbin	
温度范围		
扭矩		

认证/CERTIFICATION		
材质及电镀	M4.0, 钢 镀锌 铜合金, 镀锡 PA66, UL94V-0	
电气性能	UL	IEC
参考标准	300V	500V
额定电压	30A	32A
额定电流	22-10AWG	4.0mm ²
使用线径	20mΩ	
接触电阻	500MΩ/DC500V	
绝缘电阻	AC2000V/1Min	
耐压	-40℃~+105℃	
机械性能	12.24kgf-cm/1.2Nm/10.6Lbin	
温度范围		
扭矩		

认证/CERTIFICATION		
材质及电镀	M4.0, 钢 镀锌 铜合金, 镀锡 PA66, UL94V-0	
电气性能	UL	IEC
参考标准	300V	500V
额定电压	30A	32A
额定电流	22-10AWG	4.0mm ²
使用线径	20mΩ	
接触电阻	500MΩ/DC500V	
绝缘电阻	AC2000V/1Min	
耐压	-40℃~+105℃	
机械性能	12.24kgf-cm/1.2Nm/10.6Lbin	
温度范围		
扭矩		

认证/CERTIFICATION		
材质及电镀	M4.0, 钢 镀锌 铜合金, 镀锡 PA66, UL94V-0	
电气性能	UL	IEC
参考标准	300V	400V
额定电压	20A	24A
额定电流	22-12AWG	2.5mm ²
使用线径	20mΩ	
接触电阻	500MΩ/DC500V	
绝缘电阻	AC2000V/1Min	
耐压	-40℃~+105℃	
机械性能	12.24kgf-cm/1.2Nm/10.6Lbin	
温度范围		
扭矩		

认证/CERTIFICATION		
材质及电镀	M4.0, 钢 镀锌 铜合金, 镀锡 PA66, UL94V-0	
电气性能	UL	IEC
参考标准	300V	400V
额定电压	20A	24A
额定电流	22-12AWG	2.5mm ²
使用线径	20mΩ	
接触电阻	500MΩ/DC500V	
绝缘电阻	AC2000V/1Min	
耐压	-40℃~+105℃	
机械性能	12.24kgf-cm/1.2Nm/10.6Lbin	
温度范围		
扭矩		

认证/CERTIFICATION		
材质及电镀	M4.0, 钢 镀锌 铜合金, 镀锡 PA66, UL94V-0	
电气性能	UL	IEC
参考标准	300V	400V
额定电压	20A	24A
额定电流	22-12AWG	2.5mm ²
使用线径	20mΩ	
接触电阻	500MΩ/DC500V	
绝缘电阻	AC2000V/1Min	
耐压	-40℃~+105℃	
机械性能	12.24kgf-cm/1.2Nm/10.6Lbin	
温度范围		
扭矩		

MATERIAL	M4.0 Steel Ni plated Copper alloy, Sn Plated PA66, UL94V-0	
Screw		
Pin Herder		
Housing		
ELECTRICAL	UL	IEC
Standard	300V	400V
Rated voltage	20A	24A
Rated current	22-12AWG	2.5mm ²
Wire range	20mΩ	
Contact resistance	500MΩ/DC500V	
Insulation resistance	AC2000V/1Min	
Withstanding voltage	-40℃~+105℃	
MECHANICAL	12.24kgf-cm/1.2Nm/10.6Lbin	
Temp. range		
Torque		

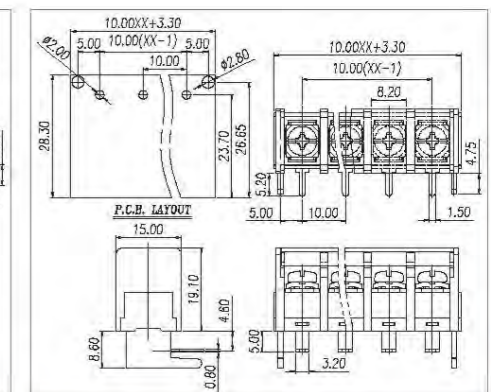
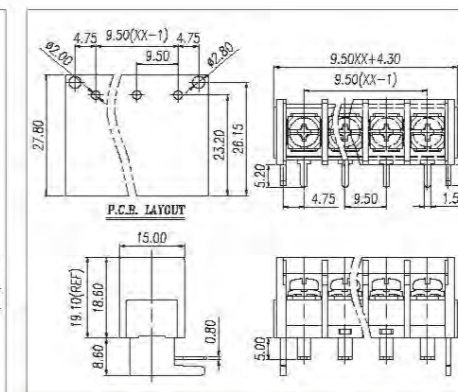
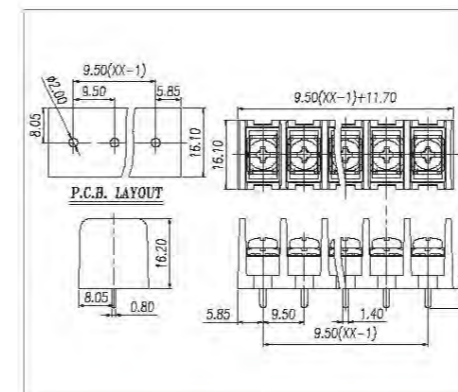
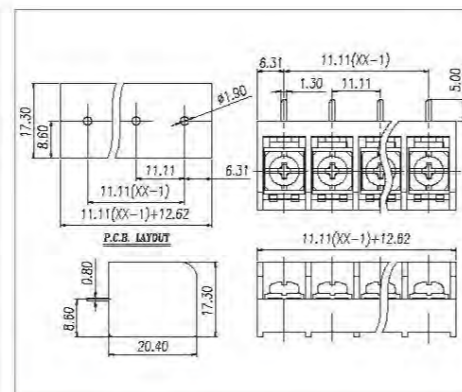
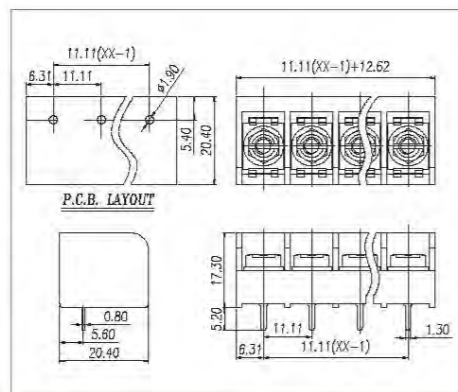
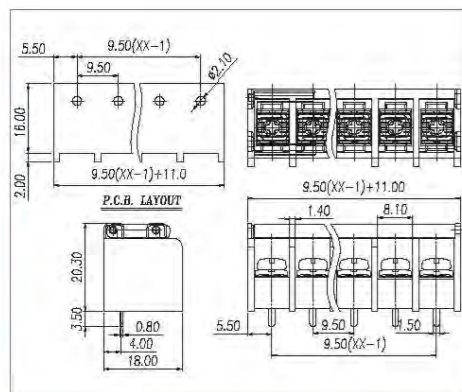
MATERIAL	M4.0 Steel Ni plated Copper alloy, Sn Plated PA66, UL94V-0	
Screw		
Pin Herder		
Housing		
ELECTRICAL	UL	IEC
Standard	300V	500V
Rated voltage	30A	32A
Rated current	22-10AWG	4.0mm ²
Wire range	20mΩ	
Contact resistance	500MΩ/DC500V	
Insulation resistance	AC2000V/1Min	
Withstanding voltage	-40℃~+105℃	
MECHANICAL	12.24kgf-cm/1.2Nm/10.6Lbin	
Temp. range		
Torque		

MATERIAL	M4.0 Steel Ni plated Copper alloy, Sn Plated PA66, UL94V-0	
Screw		
Pin Herder		
Housing		
ELECTRICAL	UL	IEC
Standard	300V	500V
Rated voltage	30A	32A
Rated current	22-10AWG	4.0mm ²
Wire range	20mΩ	
Contact resistance	500MΩ/DC500V	
Insulation resistance	AC2000V/1Min	
Withstanding voltage	-40℃~+105℃	
MECHANICAL	12.24kgf-cm/1.2Nm/10.6Lbin	
Temp. range		
Torque		

MATERIAL	M4.0 Steel Ni plated Copper alloy, Sn Plated PA66, UL94V-0	
Screw		
Pin Herder		
Housing		
ELECTRICAL	UL	IEC
Standard	300V	400V
Rated voltage	20A	24A
Rated current	22-12AWG	2.5mm ²
Wire range	20mΩ	
Contact resistance	500MΩ/DC500V	
Insulation resistance	AC2000V/1Min	
Withstanding voltage	-40℃~+105℃	
MECHANICAL	12.24kgf-cm/1.2Nm/10.6Lbin	
Temp. range		
Torque		

MATERIAL	M4.0 Steel Ni plated Copper alloy, Sn Plated PA66, UL94V-0	
Screw		
Pin Herder		
Housing		
ELECTRICAL	UL	IEC
Standard	300V	400V
Rated voltage	20A	24A
Rated current	22-12AWG	2.5mm ²
Wire range	20mΩ	
Contact resistance	500MΩ/DC500V	
Insulation resistance	AC2000V/1Min	
Withstanding voltage	-40℃~+105℃	
MECHANICAL	12.24kgf-cm/1.2Nm/10.6Lbin	
Temp. range		
Torque		

MATERIAL	M4.0 Steel Ni plated Copper alloy, Sn Plated PA66, UL94V-0	
Screw		
Pin Herder		
Housing		
ELECTRICAL	UL	IEC
Standard	300V	400V
Rated voltage	20A	24A
Rated current	22-12AWG	2.5mm ²
Wire range	20mΩ	
Contact resistance	500MΩ/DC500V	
Insulation resistance	AC2000V/1Min	
Withstanding voltage	-40℃~+105℃	
MECHANICAL	12.24kgf-cm/1.2Nm/10.6Lbin	
Temp. range		
Torque		





Pitch: 13mm

MODEL: WJ78RW-13.0



Pitch: 16.0mm

MODEL: WJ88



Pitch: 9.5mm

MODEL: WJ49M



Pitch: 11.0mm

MODEL: WJ69M



Pitch: 14.0mm

MODEL: WJ89M



Pitch: 8.5mm

MODEL: WJ10-8.5

认证/CERTIFICATION	
材质及电镀	
螺丝	M4.0, 钢 镀锌
焊脚	铜合金, 镀锡
塑件	PA66, UL94V-0
电气性能	
参考标准	UL
额定电压	600V
额定电流	40A
使用线径	18-10AWG
接触电阻	20mΩ
绝缘电阻	500MΩ/DC500V
耐电压	AC2200V/1Min
机械性能	
温度范围	-40°C~+105°C
扭矩	1.2Nm

认证/CERTIFICATION	
材质及电镀	
螺丝	M6.0, 钢 镀锌
焊脚	铜合金, 镀锡
塑件	PBT, UL94V-0
电气性能	
参考标准	UL
额定电压	600V
额定电流	100A
使用线径	14-3AWG
接触电阻	20mΩ
绝缘电阻	500MΩ/DC500V
耐电压	AC2200V/1Min
机械性能	
温度范围	-40°C~+130°C
扭矩	26Lb.in(30kgf.cm)

认证/CERTIFICATION	
材质及电镀	
螺丝	M3.5, 钢 镀锌
焊脚	铜合金, 镀锡
塑件	PA66, UL94V-0
电气性能	
参考标准	UL IEC
额定电压	300V 250V
额定电流	20A 24A
使用线径	22-12AWG 2.5mm ²
接触电阻	20mΩ
绝缘电阻	500MΩ/DC500V
耐电压	AC2000V/1Min
机械性能	
温度范围	-40°C~+105°C
扭矩	8.16kgf-cm/0.8Nm/ 7.0Lbin

认证/CERTIFICATION		
材质及电镀		
螺丝	M3.5, 钢 镀锌	
焊脚	铜合金, 镀锡	
塑件	PA66, UL94V-0	
电气性能		
参考标准	UL IEC	
额定电压	300V 500V	
额定电流	25A 32A	
使用线径	22-12AWG 2.5mm ²	
接触电阻	20mΩ	
绝缘电阻	500MΩ/DC500V	
耐电压	AC2000V/1Min	
机械性能		
温度范围	-40°C~+105°C	
扭矩	8.16kgf-cm/0.8Nm/ 7.0Lbin	

认证/CERTIFICATION		
材质及电镀		
螺丝	M4.0, 钢 镀锌	
焊脚	铜合金, 镀锡	
塑件	PA66, UL94V-0	
电气性能		
参考标准	UL IEC	
额定电压	600V 500V	
额定电流	30A 41A	
使用线径	22-10AWG 6.0mm ²	
接触电阻	20mΩ	
绝缘电阻	500MΩ/DC500V	
耐电压	AC2000V/1Min	
机械性能		
温度范围	-40°C~+105°C	
扭矩	8.16kgf-cm/0.8Nm/ 7.0Lbin	

认证/CERTIFICATION	
材质及电镀	
螺丝	M3.0, 钢 镀锌
焊脚	铜合金, 镀锡
塑件	PBT, UL94V-0
电气性能	
参考标准	UL
额定电压	300V
额定电流	20A
使用线径	22-12AWG
接触电阻	20mΩ
绝缘电阻	500MΩ/DC500V
耐电压	AC2000V/1Min
机械性能	
温度范围	-40°C~+130°C
扭矩	10.2kgf-cm/1.0Nm/8.85Lbin

MATERIAL	
Screw	M4.0 Steel Ni plated
Pin Herder	Copper alloy, Sn Plated
Housing	PA66, UL94V-0
ELECTRICAL	
Standard	UL
Rated voltage	600V
Rated current	40A
Wire range	18-10AWG
Contact resistance	20mΩ
Insulation resistance	500MΩ/DC500V
Withstanding voltage	AC2200V/1Min
MECHANICAL	
Temp. range	-40°C~+105°C
Torque	1.2Nm

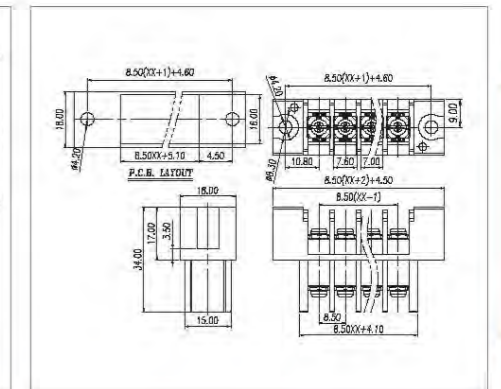
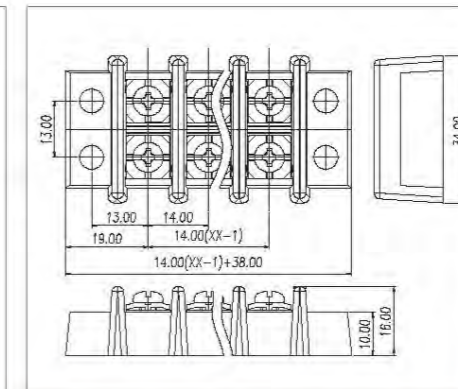
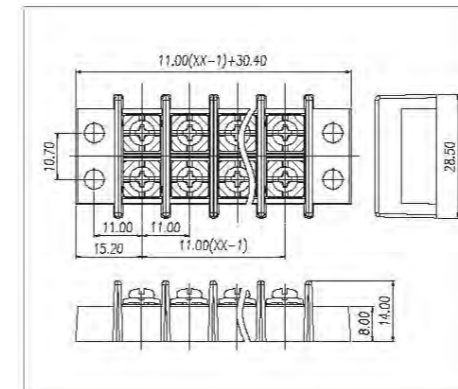
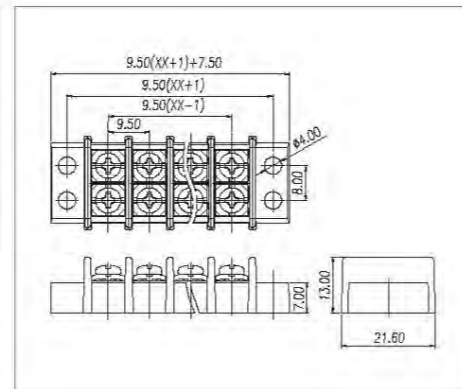
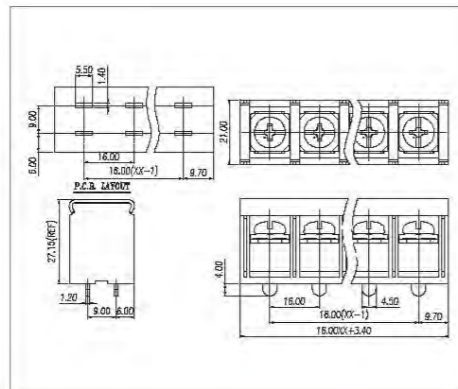
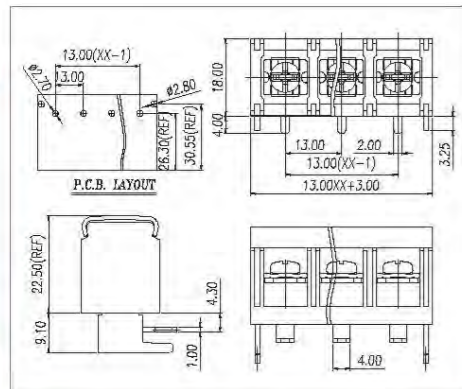
MATERIAL	
Screw	M6.0 Steel Zn plated
Pin Herder	Copper alloy, Sn Plated
Housing	PBT, UL94V-0
ELECTRICAL	
Standard	UL
Rated voltage	600V
Rated current	100A
Wire range	14-3AWG
Contact resistance	20mΩ
Insulation resistance	500MΩ/DC500V
Withstanding voltage	AC2200V/1Min
MECHANICAL	
Temp. range	-40°C~+130°C
Torque	26Lb.in(30kgf.cm)

MATERIAL	
Screw	M3.5 Steel Ni plated
Pin Herder	Copper alloy, Ni Plated
Housing	PA66, UL94V-0
ELECTRICAL	
Standard	UL IEC
Rated voltage	300V 250V
Rated current	20A 24A
Wire range	22-12AWG 4.0mm ²
Contact resistance	20mΩ
Insulation resistance	500MΩ/DC500V
Withstanding voltage	AC2000V/1Min
MECHANICAL	
Temp. range	-40°C~+105°C
Torque	8.16kgf-cm/0.8Nm/ 7.0Lbin

MATERIAL	
Screw	M3.5 Steel Ni plated
Pin Herder	Copper alloy, Ni Plated
Housing	PA66, UL94V-0
ELECTRICAL	
Standard	UL IEC
Rated voltage	300V 500V
Rated current	25A 32A
Wire range	22-12AWG 2.5mm ²
Contact resistance	20mΩ
Insulation resistance	500MΩ/DC500V
Withstanding voltage	AC2000V/1Min
MECHANICAL	
Temp. range	-40°C~+105°C
Torque	8.16kgf-cm/0.8Nm/ 7.0Lbin

MATERIAL	
Screw	M4.0 Steel Ni plated
Pin Herder	Copper alloy, Ni Plated
Housing	PA66, UL94V-0
ELECTRICAL	
Standard	UL IEC
Rated voltage	600V 500V
Rated current	30A 41A
Wire range	22-10AWG 6.0mm ²
Contact resistance	20mΩ
Insulation resistance	500MΩ/DC500V
Withstanding voltage	AC2000V/1Min
MECHANICAL	
Temp. range	-40°C~+105°C
Torque	8.16kgf-cm/0.8Nm/ 7.0Lbin

MATERIAL	
Screw	M3.0 Steel Ni plated
Pin Herder	Copper alloy, Sn Plated
Housing	PBT, UL94V-0
ELECTRICAL	
Standard	UL
Rated voltage	300V
Rated current	20A
Wire range	22-12AWG
Contact resistance	20mΩ
Insulation resistance	500MΩ/DC500V
Withstanding voltage	AC2000V/1Min
MECHANICAL	
Temp. range	-40°C~+130°C
Torque	10.2kgf-cm/1.0Nm/8.85Lbin





Pitch:8.5mm

MODEL:WJ10C-8.5



Pitch:8.5mm

MODEL:WJ10L-8.5



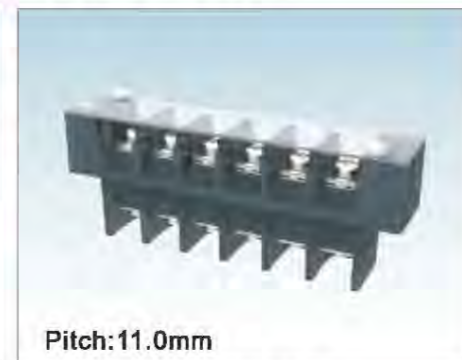
Pitch:11.0mm

MODEL:WJ10-11.0



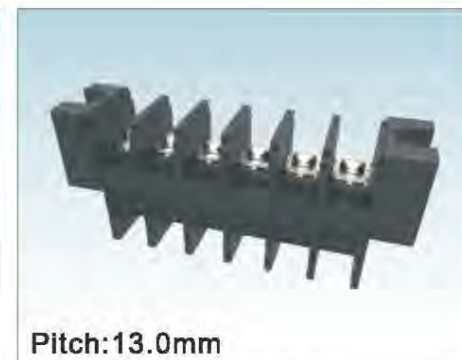
Pitch:11.0mm

MODEL:WJ10C-11.0



Pitch:11.0mm

MODEL:WJ10L-11.0



Pitch:13.0mm

MODEL:WJ10-13.0

认证/CERTIFICATION	UL
材质及电镀	
螺丝	M3.0, 钢 镀锌
焊脚	铜合金, 镀锡
塑件	PBT, UL94V-0
电气性能	
参考标准	UL
额定电压	300V
额定电流	20A
使用线径	22-12AWG
接触电阻	20mΩ
绝缘电阻	500MΩ/DC500V
耐电压	AC2000V/1Min
机械性能	
温度范围	-40℃~+130℃
扭矩	10.2kgf-cm/1.0Nm/8.85Lbin

认证/CERTIFICATION	UL
材质及电镀	
螺丝	M3.0, 钢 镀锌
焊脚	铜合金, 镀锡
塑件	PBT, UL94V-0
电气性能	
参考标准	UL
额定电压	300V
额定电流	20A
使用线径	22-12AWG
接触电阻	20mΩ
绝缘电阻	500MΩ/DC500V
耐电压	AC2000V/1Min
机械性能	
温度范围	-40℃~+130℃
扭矩	10.2kgf-cm/1.0Nm/8.85Lbin

认证/CERTIFICATION	UL
材质及电镀	
螺丝	M4.0, 钢 镀锌
焊脚	铜合金, 镀锡
塑件	PBT, UL94V-0
电气性能	
参考标准	UL
额定电压	300V
额定电流	30A
使用线径	22-10AWG
接触电阻	20mΩ
绝缘电阻	500MΩ/DC500V
耐电压	AC2000V/1Min
机械性能	
温度范围	-40℃~+130℃
扭矩	18.35kgf-cm/1.8Nm/15.9Lbin

认证/CERTIFICATION	UL
材质及电镀	
螺丝	M4.0, 钢 镀锌
焊脚	铜合金, 镀锡
塑件	PBT, UL94V-0
电气性能	
参考标准	UL
额定电压	300V
额定电流	30A
使用线径	22-10AWG
接触电阻	20mΩ
绝缘电阻	500MΩ/DC500V
耐电压	AC2000V/1Min
机械性能	
温度范围	-40℃~+130℃
扭矩	18.35kgf-cm/1.8Nm/15.9Lbin

认证/CERTIFICATION	UL
材质及电镀	
螺丝	M4.0, 钢 镀锌
焊脚	铜合金, 镀锡
塑件	PBT, UL94V-0
电气性能	
参考标准	UL
额定电压	300V
额定电流	30A
使用线径	22-10AWG
接触电阻	20mΩ
绝缘电阻	500MΩ/DC500V
耐电压	AC2000V/1Min
机械性能	
温度范围	-40℃~+130℃
扭矩	18.35kgf-cm/1.8Nm/15.9Lbin

认证/CERTIFICATION	UL
材质及电镀	
螺丝	M4.0, 钢 镀锌
焊脚	铜合金, 镀锡
塑件	PBT, UL94V-0
电气性能	
参考标准	UL
额定电压	600V
额定电流	50A
使用线径	22-8 AWG
接触电阻	20mΩ
绝缘电阻	1000MΩ/DC500V
耐电压	AC2500V/1Min
机械性能	
温度范围	-40℃~+130℃
扭矩	12.24kgf-cm/1.2Nm/10.6Lbin

MATERIAL	
Screw	M3.0 Steel Ni plated
Pin Herder	Copper alloy, Sn Plated
Housing	PBT, UL94V-0
ELECTRICAL	
Standard	UL
Rated voltage	300V
Rated current	20A
Wire range	22-12AWG
Contact resistance	20mΩ
Insulation resistance	500MΩ/DC500V
Withstanding voltage	AC2000V/1Min
MECHANICAL	
Temp. range	-40℃~+130℃
Torque	10.2kgf-cm/1.0Nm/8.85Lbin

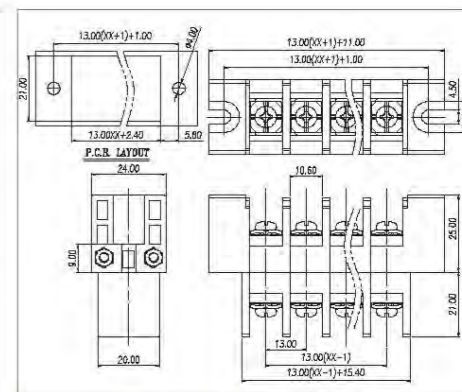
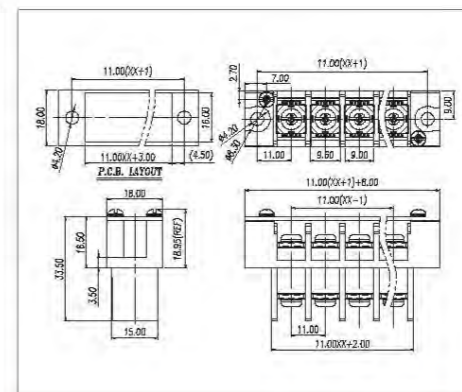
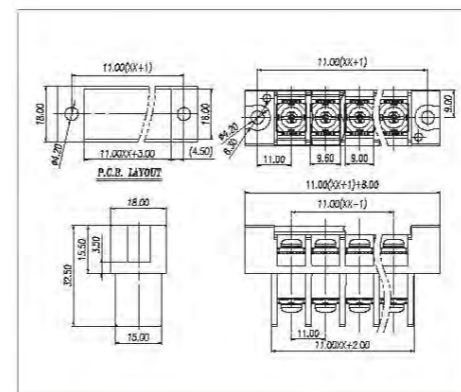
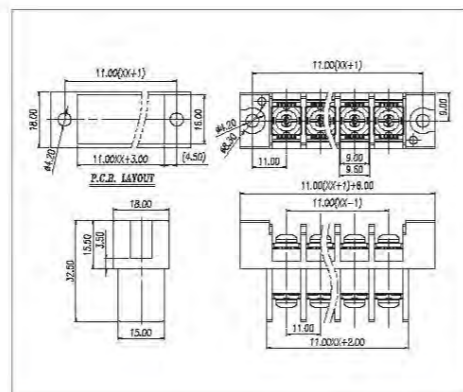
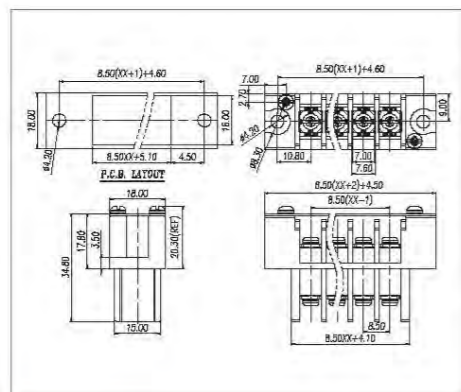
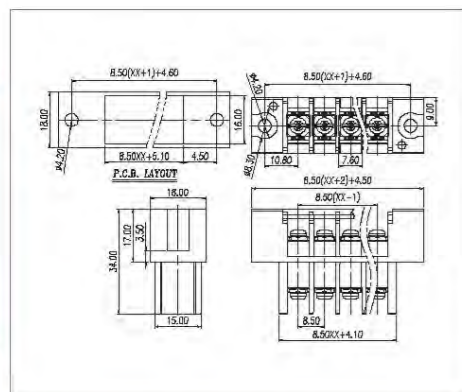
MATERIAL	
Screw	M3.0 Steel Ni plated
Pin Herder	Copper alloy, Sn Plated
Housing	PBT, UL94V-0
ELECTRICAL	
Standard	UL
Rated voltage	300V
Rated current	20A
Wire range	22-12AWG
Contact resistance	20mΩ
Insulation resistance	500MΩ/DC500V
Withstanding voltage	AC2000V/1Min
MECHANICAL	
Temp. range	-40℃~+130℃
Torque	10.2kgf-cm/1.0Nm/8.85Lbin

MATERIAL	
Screw	M4.0 Steel Ni plated
Pin Herder	Copper alloy, Sn Plated
Housing	PBT, UL94V-0
ELECTRICAL	
Standard	UL
Rated voltage	300V
Rated current	30A
Wire range	22-10AWG
Contact resistance	20mΩ
Insulation resistance	500MΩ/DC500V
Withstanding voltage	AC2000V/1Min
MECHANICAL	
Temp. range	-40℃~+130℃
Torque	18.35kgf-cm/1.8Nm/15.9Lbin

MATERIAL	
Screw	M4.0 Steel Ni plated
Pin Herder	Copper alloy, Sn Plated
Housing	PBT, UL94V-0
ELECTRICAL	
Standard	UL
Rated voltage	300V
Rated current	30A
Wire range	22-10AWG
Contact resistance	20mΩ
Insulation resistance	500MΩ/DC500V
Withstanding voltage	AC2000V/1Min
MECHANICAL	
Temp. range	-40℃~+130℃
Torque	18.35kgf-cm/1.8Nm/15.9Lbin

MATERIAL	
Screw	M4.0 Steel Ni plated
Pin Herder	Copper alloy, Sn Plated
Housing	PBT, UL94V-0
ELECTRICAL	
Standard	UL
Rated voltage	300V
Rated current	30A
Wire range	22-10AWG
Contact resistance	20mΩ
Insulation resistance	500MΩ/DC500V
Withstanding voltage	AC2000V/1Min
MECHANICAL	
Temp. range	-40℃~+130℃
Torque	18.35kgf-cm/1.8Nm/15.9Lbin

MATERIAL	
Screw	M4.0 Steel Ni plated
Pin Herder	Copper alloy, Sn Plated
Housing	PBT, UL94V-0
ELECTRICAL	
Standard	UL
Rated voltage	600V
Rated current	50A
Wire range	22-8 AWG
Contact resistance	20mΩ
Insulation resistance	1000MΩ/DC500V
Withstanding voltage	AC2500V/1Min
MECHANICAL	
Temp. range	-40℃~+130℃
Torque	12.24kgf-cm/1.2Nm/10.6Lbin





Pitch:13.0mm

MODEL:WJ10C-13.0



Pitch:13.0mm

MODEL:WJ10L-13.0



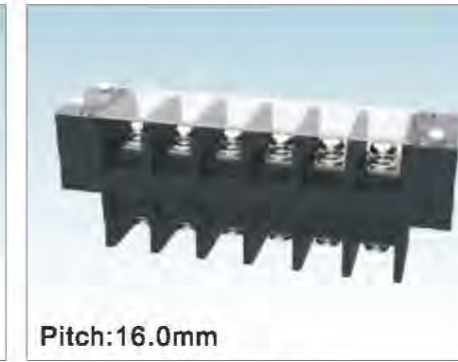
Pitch:16.0mm

MODEL:WJ10-16.0



Pitch:16.0mm

MODEL:WJ10C-16.0



Pitch:16.0mm

MODEL:WJ10L-16.0



Pitch:21.0mm

MODEL:WJ10-21.0

认证/CERTIFICATION	UL
材质及电镀	
螺丝	M4.0, 钢 镀锌
焊脚	铜合金, 镀锡
塑件	PBT, UL94V-0
电气性能	
参考标准	UL
额定电压	600V
额定电流	50A
使用线径	22-8 AWG
接触电阻	20mΩ
绝缘电阻	1000MΩ/DC500V
耐电压	AC2500V/1Min
机械性能	
温度范围	-40℃~+130℃
扭矩	12.24kgf-cm/1.2Nm/10.6Lbin

认证/CERTIFICATION	UL
材质及电镀	
螺丝	M4.0, 钢 镀锌
焊脚	铜合金, 镀锡
塑件	PBT, UL94V-0
电气性能	
参考标准	UL
额定电压	600V
额定电流	50A
使用线径	22-8 AWG
接触电阻	20mΩ
绝缘电阻	1000MΩ/DC500V
耐电压	AC2500V/1Min
机械性能	
温度范围	-40℃~+130℃
扭矩	12.24kgf-cm/1.2Nm/10.6Lbin

认证/CERTIFICATION	UL
材质及电镀	
螺丝	M5.0, 钢 镀锌
焊脚	铜合金, 镀锡
塑件	PBT, UL94V-0
电气性能	
参考标准	UL
额定电压	600V
额定电流	65A
使用线径	14-6 AWG
接触电阻	20mΩ
绝缘电阻	1000MΩ/DC500V
耐电压	AC2500V/1Min
机械性能	
温度范围	-40℃~+130℃
扭矩	25.5kgf-cm/2.5Nm/22.1Lbin

认证/CERTIFICATION	UL
材质及电镀	
螺丝	M5.0, 钢 镀锌
焊脚	铜合金, 镀锡
塑件	PBT, UL94V-0
电气性能	
参考标准	UL
额定电压	600V
额定电流	65A
使用线径	14-6 AWG
接触电阻	20mΩ
绝缘电阻	1000MΩ/DC500V
耐电压	AC2500V/1Min
机械性能	
温度范围	-40℃~+130℃
扭矩	25.5kgf-cm/2.5Nm/22.1Lbin

认证/CERTIFICATION	UL
材质及电镀	
螺丝	M5.0, 钢 镀锌
焊脚	铜合金, 镀锡
塑件	PBT, UL94V-0
电气性能	
参考标准	UL
额定电压	600V
额定电流	65A
使用线径	14-6 AWG
接触电阻	20mΩ
绝缘电阻	1000MΩ/DC500V
耐电压	AC2500V/1Min
机械性能	
温度范围	-40℃~+130℃
扭矩	25.5kgf-cm/2.5Nm/22.1Lbin

认证/CERTIFICATION	UL
材质及电镀	
螺丝	M6.0, 钢 镀锌
焊脚	铜合金, 镀锡
塑件	PBT, UL94V-0
电气性能	
参考标准	UL
额定电压	600V
额定电流	115A
使用线径	8-2 AWG
接触电阻	20mΩ
绝缘电阻	1000MΩ/DC500V
耐电压	AC2500V/1Min
机械性能	
温度范围	-40℃~+130℃
扭矩	30.6kgf-cm/3.0Nm/26.6Lbin

MATERIAL	
Screw	M4.0 Steel Ni plated
Pin Herder	Copper alloy, Sn Plated
Housing	PBT, UL94V-0
ELECTRICAL	
Standard	UL
Rated voltage	600V
Rated current	50A
Wire range	22-8 AWG
Contact resistance	20mΩ
Insulation resistance	1000MΩ/DC500V
Withstanding voltage	AC2500V/1Min
MECHANICAL	
Temp. range	-40℃~+130℃
Torque	12.24kgf-cm/1.2Nm/10.6Lbin

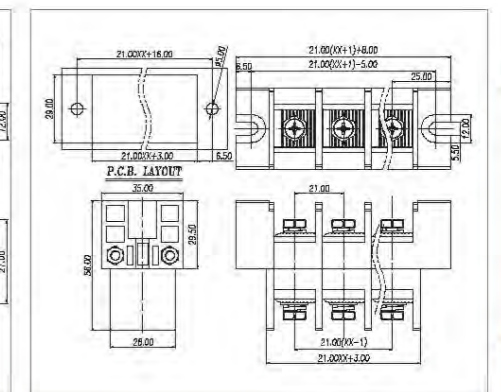
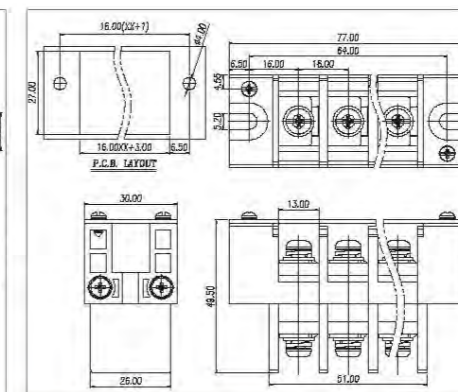
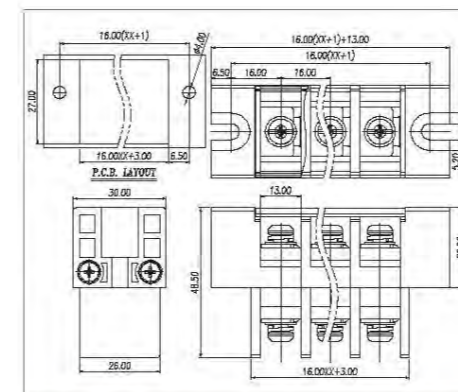
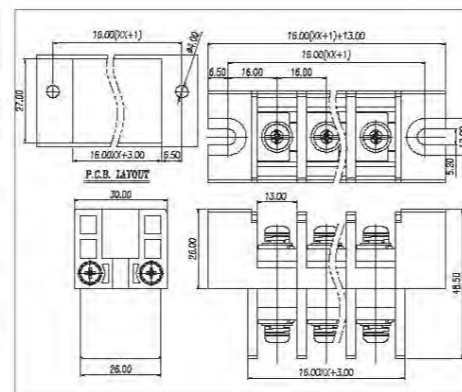
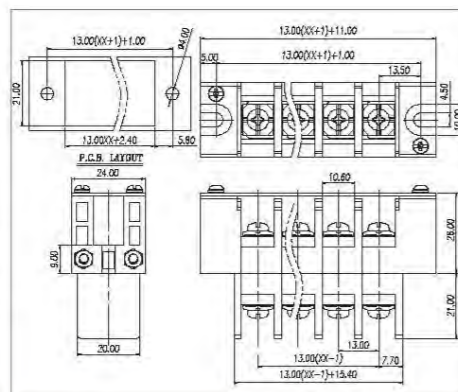
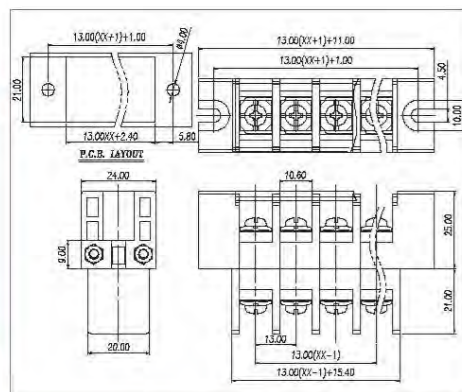
MATERIAL	
Screw	M4.0 Steel Ni plated
Pin Herder	Copper alloy, Sn Plated
Housing	PBT, UL94V-0
ELECTRICAL	
Standard	UL
Rated voltage	600V
Rated current	50A
Wire range	22-8 AWG
Contact resistance	20mΩ
Insulation resistance	1000MΩ/DC500V
Withstanding voltage	AC2500V/1Min
MECHANICAL	
Temp. range	-40℃~+130℃
Torque	12.24kgf-cm/1.2Nm/10.6Lbin

MATERIAL	
Screw	M5.0 Steel Zn plated
Pin Herder	Copper alloy, Sn Plated
Housing	PBT, UL94V-0
ELECTRICAL	
Standard	UL
Rated voltage	600V
Rated current	65A
Wire range	14-6 AWG
Contact resistance	20mΩ
Insulation resistance	1000MΩ/DC500V
Withstanding voltage	AC2500V/1Min
MECHANICAL	
Temp. range	-40℃~+130℃
Torque	25.5kgf-cm/2.5Nm/22.1Lbin

MATERIAL	
Screw	M5.0 Steel Zn plated
Pin Herder	Copper alloy, Sn Plated
Housing	PBT, UL94V-0
ELECTRICAL	
Standard	UL
Rated voltage	600V
Rated current	65A
Wire range	14-6 AWG
Contact resistance	20mΩ
Insulation resistance	1000MΩ/DC500V
Withstanding voltage	AC2500V/1Min
MECHANICAL	
Temp. range	-40℃~+130℃
Torque	25.5kgf-cm/2.5Nm/22.1Lbin

MATERIAL	
Screw	M5.0 Steel Zn plated
Pin Herder	Copper alloy, Sn Plated
Housing	PBT, UL94V-0
ELECTRICAL	
Standard	UL
Rated voltage	600V
Rated current	65A
Wire range	14-6 AWG
Contact resistance	20mΩ
Insulation resistance	1000MΩ/DC500V
Withstanding voltage	AC2500V/1Min
MECHANICAL	
Temp. range	-40℃~+130℃
Torque	25.5kgf-cm/2.5Nm/22.1Lbin

MATERIAL	
Screw	M6.0 Steel Zn plated
Pin Herder	Copper alloy, Sn Plated
Housing	PBT, UL94V-0
ELECTRICAL	
Standard	UL
Rated voltage	600V
Rated current	115A
Wire range	8-2 AWG
Contact resistance	20mΩ
Insulation resistance	1000MΩ/DC500V
Withstanding voltage	AC2500V/1Min
MECHANICAL	
Temp. range	-40℃~+130℃
Torque	30.6kgf-cm/3.0Nm/26.6Lbin





Pitch:21.0mm

MODEL:WJ10C-21.0



Pitch:21.0mm

MODEL:WJ10L-21.0



Pitch:27.0mm

MODEL:WJ10-27.0



Pitch:27.0mm

MODEL:WJ10C-27.0



Pitch:27.0mm

MODEL:WJ10L-27.0



Pitch:7.62mm

MODEL:CZX7620

认证/CERTIFICATION	
材质及电镀	M6.0, 钢镀锌 铜合金, 镀锡 PBT, UL94V-0
电气性能	UL
参考标准	600V
额定电压	115A
额定电流	8-2 AWG
使用线径	20mΩ
接触电阻	1000MΩ/DC500V
绝缘电阻	AC2500V/1Min
耐压	
机械性能	
温度范围	-40℃~+130℃
扭矩	30.6kgf-cm/3.0Nm/26.6Lbin

认证/CERTIFICATION	
材质及电镀	M6.0, 钢镀锌 铜合金, 镀锡 PBT, UL94V-0
电气性能	UL
参考标准	600V
额定电压	115A
额定电流	8-2 AWG
使用线径	20mΩ
接触电阻	1000MΩ/DC500V
绝缘电阻	AC2500V/1Min
耐压	
机械性能	
温度范围	-40℃~+130℃
扭矩	30.6kgf-cm/3.0Nm/26.6Lbin

认证/CERTIFICATION	
材质及电镀	M8.0, 钢镀锌 铜合金, 镀锡 PBT, UL94V-0
电气性能	UL
参考标准	600V
额定电压	170A
额定电流	10-2/0AWG
使用线径	20mΩ
接触电阻	1000MΩ/DC500V
绝缘电阻	AC2500V/1Min
耐压	
机械性能	
温度范围	-40℃~+130℃
扭矩	61.2kgf-cm/6.0Nm/53.1Lbin

Screw	M6.0 Steel Zn plated
Pin Herder	Copper alloy, Sn Plated
Housing	PBT, UL94V-0
Standard	UL
Rated voltage	600V
Rated current	115A
Wire range	8-2 AWG
Contact resistance	20mΩ
Insulation resistance	1000MΩ/DC500V
Withstanding voltage	AC2500V/1Min
Temp. range	-40℃~+130℃
Torque	30.6kgf-cm/3.0Nm/26.6Lbin

MATERIAL	M6.0 Steel Zn plated
Screw	Copper alloy, Sn Plated
Pin Herder	PBT, UL94V-0
Housing	
ELECTRICAL	UL
Standard	600V
Rated voltage	115A
Rated current	8-2 AWG
Wire range	20mΩ
Contact resistance	1000MΩ/DC500V
Insulation resistance	AC2500V/1Min
Withstanding voltage	
MECHANICAL	
Temp. range	-40℃~+130℃
Torque	30.6kgf-cm/3.0Nm/26.6Lbin

MATERIAL	M8.0 Steel Zn plated
Screw	Copper alloy, Sn Plated
Pin Herder	PBT, UL94V-0
Housing	
ELECTRICAL	UL
Standard	600V
Rated voltage	170A
Rated current	10-2/0AWG
Wire range	20mΩ
Contact resistance	1000MΩ/DC500V
Insulation resistance	AC2500V/1Min
Withstanding voltage	
MECHANICAL	
Temp. range	-40℃~+130℃
Torque	61.2kgf-cm/6.0Nm/53.1Lbin

认证/CERTIFICATION	
材质及电镀	M8.0, 钢镀锌 铜合金, 镀锡 PBT, UL94V-0
电气性能	UL
参考标准	600V
额定电压	170A
额定电流	10-2/0AWG
使用线径	20mΩ
接触电阻	1000MΩ/DC500V
绝缘电阻	AC2500V/1Min
耐压	
机械性能	
温度范围	-40℃~+130℃
扭矩	61.2kgf-cm/6.0Nm/53.1Lbin

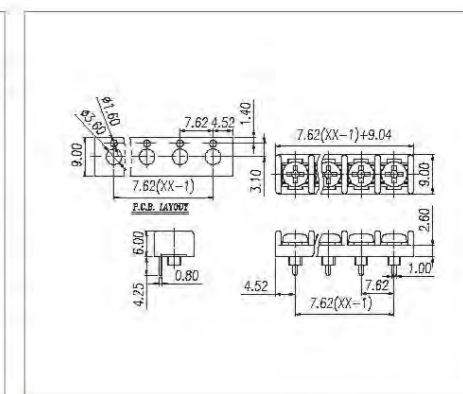
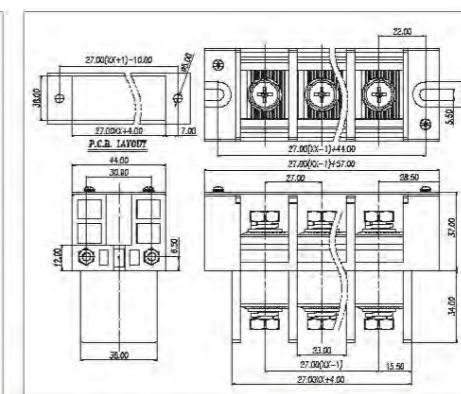
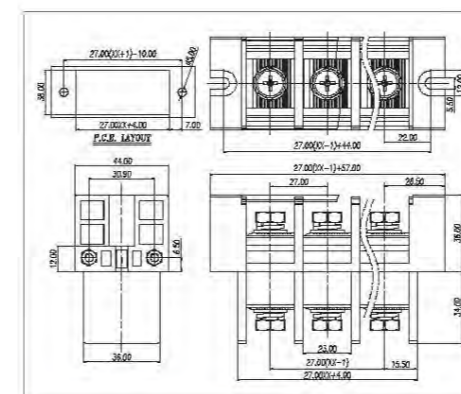
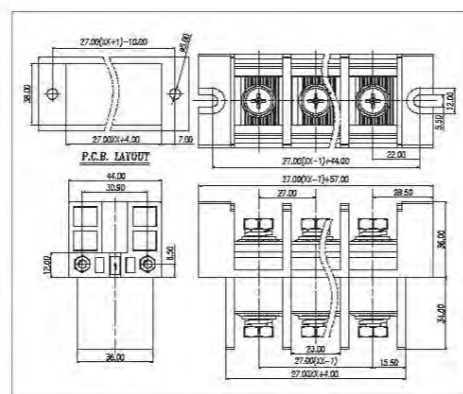
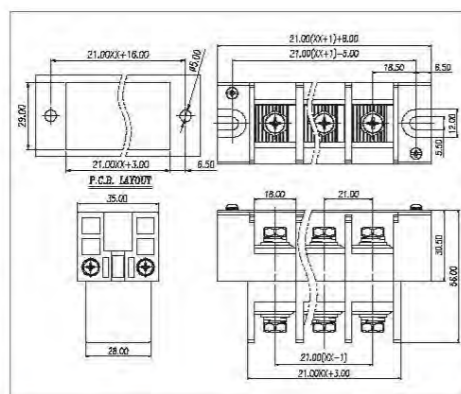
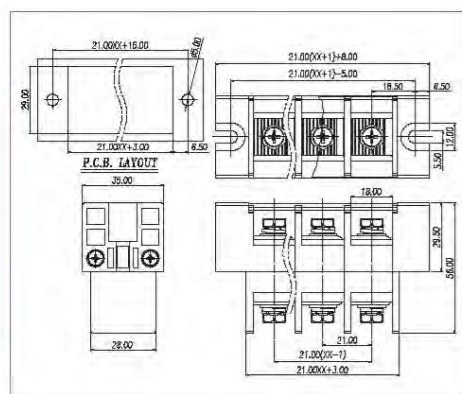
认证/CERTIFICATION	
材质及电镀	M8.0, 钢镀锌 铜合金, 镀锡 PBT, UL94V-0
电气性能	UL
参考标准	600V
额定电压	170A
额定电流	10-2/0AWG
使用线径	20mΩ
接触电阻	1000MΩ/DC500V
绝缘电阻	AC2500V/1Min
耐压	
机械性能	
温度范围	-40℃~+130℃
扭矩	61.2kgf-cm/6.0Nm/53.1Lbin

认证/CERTIFICATION	
材质及电镀	M3, 钢, 镀镍 铜合金, 镀锡 PA66, UL94V-0
电气性能	UL IEC
参考标准	300V 450V
额定电压	15A 17.5A
额定电流	22-14AWG 1.5mm ²
使用线径	20mΩ
接触电阻	500MΩ/DC500V
绝缘电阻	AC2000V/1Min
耐压	
机械性能	
温度范围	-40℃~+105℃
扭矩	5.1kgf-cm/0.5Nm/4.43Lbin

MATERIAL	M8.0 Steel Zn plated
Screw	Copper alloy, Sn Plated
Pin Herder	PBT, UL94V-0
Housing	
ELECTRICAL	UL
Standard	600V
Rated voltage	170A
Rated current	10-2/0AWG
Wire range	20mΩ
Contact resistance	1000MΩ/DC500V
Insulation resistance	AC2500V/1Min
Withstanding voltage	
MECHANICAL	
Temp. range	-40℃~+130℃
Torque	61.2kgf-cm/6.0Nm/53.1Lbin

MATERIAL	M8.0 Steel Zn plated
Screw	Copper alloy, Sn Plated
Pin Herder	PBT, UL94V-0
Housing	
ELECTRICAL	UL
Standard	600V
Rated voltage	170A
Rated current	10-2/0AWG
Wire range	20mΩ
Contact resistance	1000MΩ/DC500V
Insulation resistance	AC2500V/1Min
Withstanding voltage	
MECHANICAL	
Temp. range	-40℃~+130℃
Torque	61.2kgf-cm/6.0Nm/53.1Lbin

MATERIAL	M3.0 Steel Ni plated
Screw	Copper alloy, Sn Plated
Pin Herder	PA66, UL94V-0
Housing	
ELECTRICAL	UL IEC
Standard	300V 450V
Rated voltage	15A 17.5A
Rated current	22-14AWG 1.5mm ²
Wire range	20mΩ
Contact resistance	500MΩ/DC500V
Insulation resistance	AC2000V/1Min
Withstanding voltage	
MECHANICAL	
Temp. range	-40℃~+105℃
Torque	5.1kgf-cm/0.5Nm/4.43Lbin





Pitch:8.5mm

MODEL: CZ8500



Pitch:9.0mm

MODEL: WJTB15



Pitch:9.0mm

MODEL: WJTB15



Pitch:11.0mm

MODEL: EM-1



Pitch:11.0mm

MODEL: EM-1A



Pitch:11.0mm

MODEL: EM-2

认证/CERTIFICATION			
材质及电镀	M3.0, 钢 镀锌 铜合金, 镀锡 PA66, UL94V-0		
电气性能	UL	IEC	
参考标准	300V	450V	
额定电压	15A	17.5A	
额定电流	22-14AWG	1.5mm ²	
使用线径	20mΩ		
接触电阻	500MΩ/DC500V		
绝缘电阻	AC2000V/1Min		
耐电压	机械性能		
温度范围	-40℃~+105℃		
扭矩	5.1kgf-cm/0.5Nm/4.3Lbin		

认证/CERTIFICATION			
材质及电镀	M3.0, 钢 镀锌 铜合金, 镀锡 PBT, UL94V-0		
电气性能	UL	IEC	
参考标准	300V	450V	
额定电压	20A	32A	
额定电流	22-12AWG	4.0mm ²	
使用线径	20mΩ		
接触电阻	500MΩ/DC500V		
绝缘电阻	AC1600V/1Min		
耐电压	机械性能		
温度范围	-30℃~+120℃		
扭矩	5.1Kgf-cm/0.5Nm/4.3Lbin		

认证/CERTIFICATION			
材质及电镀	M3.0, 钢 镀锌 铜合金, 镀锡 PBT, UL94V-0		
电气性能	UL	IEC	
参考标准	300V	450V	
额定电压	20A	32A	
额定电流	22-12AWG	4.0mm ²	
使用线径	20mΩ		
接触电阻	500MΩ/DC500V		
绝缘电阻	AC1600V/1Min		
耐电压	机械性能		
温度范围	-30℃~+120℃		
扭矩	5.1Kgf-cm/0.5Nm/4.3Lbin		

认证/CERTIFICATION			
材质及电镀	M4.0, 钢 镀金 铜合金, 镀金 PA66, UL94V-0		
电气性能	UL	IEC	
参考标准	300V	450V	
额定电压	20A	32A	
额定电流	22-12AWG	4.0mm ²	
使用线径	20mΩ		
接触电阻	500MΩ/DC500V		
绝缘电阻	AC2000V/1Min		
耐电压	机械性能		
温度范围	-40℃~+105℃		
扭矩	12.24kgf-cm/1.2Nm/10.6Lbin		

认证/CERTIFICATION			
材质及电镀	M4.0, 钢 镀金 铜合金, 镀金 PA66, UL94V-0		
电气性能	UL	IEC	
参考标准	300V	450V	
额定电压	20A	32A	
额定电流	22-12AWG	4.0mm ²	
使用线径	20mΩ		
接触电阻	500MΩ/DC500V		
绝缘电阻	AC2000V/1Min		
耐电压	机械性能		
温度范围	-40℃~+105℃		
扭矩	12.24kgf-cm/1.2Nm/10.6Lbin		

认证/CERTIFICATION			
材质及电镀	M4.0, 钢 镀金 铜合金, 镀金 PA66, UL94V-0		
电气性能	UL	IEC	
参考标准	300V	450V	
额定电压	20A	32A	
额定电流	22-12AWG	4.0mm ²	
使用线径	20mΩ		
接触电阻	500MΩ/DC500V		
绝缘电阻	AC2000V/1Min		
耐电压	机械性能		
温度范围	-40℃~+105℃		
扭矩	12.24kgf-cm/1.2Nm/10.6Lbin		

Screw	M3.0 Steel Ni plated		
Pin Herder	Copper alloy, Sn Plated		
Housing	PA66, UL94V-0		
Standard	UL	IEC	
Rated voltage	300V	450V	
Rated current	15A	17.5A	
Wire range	22-14AWG	1.5mm ²	
Contact resistance	20mΩ		
Insulation resistance	500MΩ/DC500V		
Withstanding voltage	AC2000V/1Min		
Temp. range	-40℃~+105℃		
Torque	5.1kgf-cm/0.5Nm/4.3Lbin		

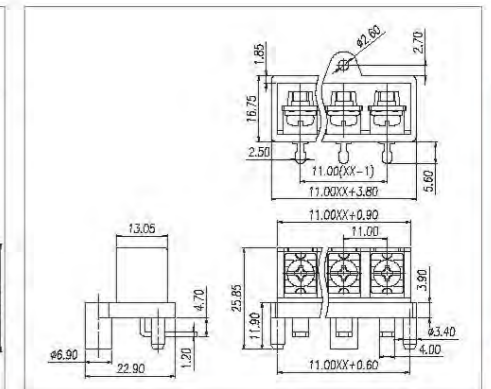
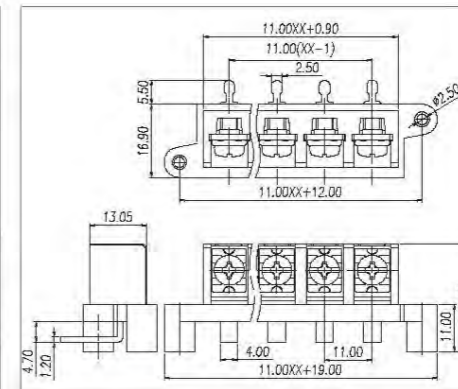
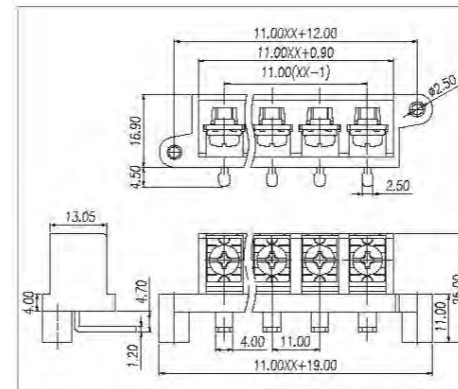
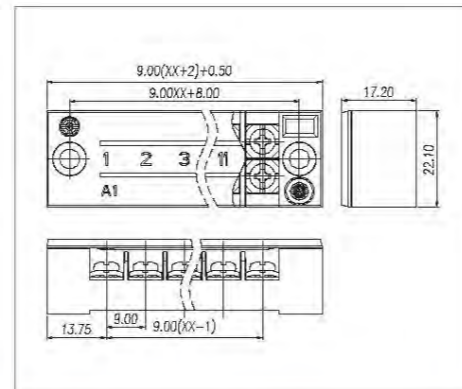
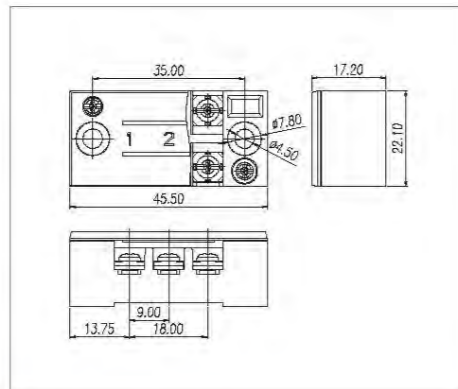
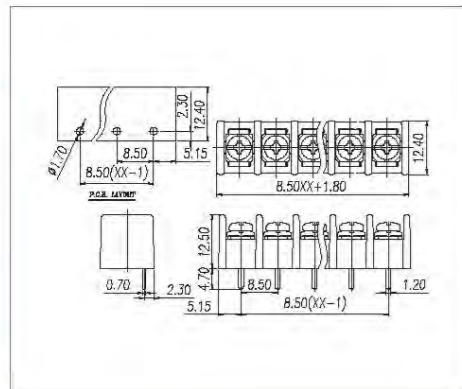
MATERIAL	M3.0 Steel Ni plated		
Screw	Copper alloy, Ni Plated		
Pin Herder	PBT, UL94V-0		
Housing			
ELECTRICAL	UL	IEC	
Standard	300V	450V	
Rated voltage	20A	32A	
Rated current	22-12AWG	4.0mm ²	
Wire range	20mΩ		
Contact resistance	500MΩ/DC500V		
Insulation resistance	AC1600V/1Min		
Withstanding voltage	MECHANICAL		
Temp. range	-30℃~+120℃		
Torque	5.1Kgf-cm/0.5Nm/4.3Lbin		

MATERIAL	M3.0 Steel Ni plated		
Screw	Copper alloy, Ni Plated		
Pin Herder	PBT, UL94V-0		
Housing			
ELECTRICAL	UL	IEC	
Standard	300V	450V	
Rated voltage	20A	32A	
Rated current	22-12AWG	4.0mm ²	
Wire range	20mΩ		
Contact resistance	500MΩ/DC500V		
Insulation resistance	AC1600V/1Min		
Withstanding voltage	MECHANICAL		
Temp. range	-30℃~+120℃		
Torque	5.1Kgf-cm/0.5Nm/4.3Lbin		

MATERIAL	M4.0 Steel Au plated		
Screw	Copper alloy, Au Plated		
Pin Herder	PA66, UL94V-0		
Housing			
ELECTRICAL	UL	IEC	
Standard	300V	450V	
Rated voltage	20A	32A	
Rated current	22-12AWG	4.0mm ²	
Wire range	20mΩ		
Contact resistance	500MΩ/DC500V		
Insulation resistance	AC2000V/1Min		
Withstanding voltage	MECHANICAL		
Temp. range	-40℃~+105℃		
Torque	12.24kgf-cm/1.2Nm/10.6Lbin		

MATERIAL	M4.0 Steel Au plated		
Screw	Copper alloy, Au Plated		
Pin Herder	PA66, UL94V-0		
Housing			
ELECTRICAL	UL	IEC	
Standard	300V	450V	
Rated voltage	20A	32A	
Rated current	22-12AWG	4.0mm ²	
Wire range	20mΩ		
Contact resistance	500MΩ/DC500V		
Insulation resistance	AC2000V/1Min		
Withstanding voltage	MECHANICAL		
Temp. range	-40℃~+105℃		
Torque	12.24kgf-cm/1.2Nm/10.6Lbin		

MATERIAL	M4.0 Steel Au plated		
Screw	Copper alloy, Au Plated		
Pin Herder	PA66, UL94V-0		
Housing			
ELECTRICAL	UL	IEC	
Standard	300V	450V	
Rated voltage	20A	32A	
Rated current	22-12AWG	4.0mm ²	
Wire range	20mΩ		
Contact resistance	500MΩ/DC500V		
Insulation resistance	AC2000V/1Min		
Withstanding voltage	MECHANICAL		
Temp. range	-40℃~+105℃		
Torque	12.24kgf-cm/1.2Nm/10.6Lbin		





Pitch:11.0mm

MODEL: EM-2A



Pitch:11.5mm

MODEL: EM-3



Pitch:8.8mm

MODEL: EM-4



Pitch:12.5mm

MODEL: EM-5



Pitch:12.5mm

MODEL: EM-51H



Pitch:12.5mm

MODEL: EM-52H

认证/CERTIFICATION		
材质及电镀	M4.0, 钢镀金	
螺丝	铜合金, 镀金	
焊脚	PA66, UL94V-0	
塑件		
电气性能	UL	IEC
参考标准	300V	450V
额定电压	20A	32A
额定电流	22-12AWG	4.0mm ²
使用线径	20mΩ	
接触电阻	500MΩ/DC500V	
绝缘电阻	AC2000V/1Min	
耐压		
机械性能	-40℃~+105℃	
温度范围	12.24kgf-cm/1.2Nm/10.6Lbin	
扭矩		

认证/CERTIFICATION		
材质及电镀	M4.0, 钢镀金	
螺丝	铜合金, 镀金	
焊脚	PA66, UL94V-0	
塑件		
电气性能	UL	IEC
参考标准	300V	450V
额定电压	30A	35A
额定电流	22-12AWG	6.0mm ²
使用线径	20mΩ	
接触电阻	500MΩ/DC500V	
绝缘电阻	AC2000V/1Min	
耐压		
机械性能	-40℃~+105℃	
温度范围	12.24kgf-cm/1.2Nm/10.6Lbin	
扭矩		

认证/CERTIFICATION		
材质及电镀	M3.0, 钢镀金	
螺丝	铜合金, 镀金	
焊脚	PA66, UL94V-0	
塑件		
电气性能	UL	IEC
参考标准	300V	450V
额定电压	15A	24A
额定电流	22-14AWG	2.5mm ²
使用线径	20mΩ	
接触电阻	500MΩ/DC500V	
绝缘电阻	AC2000V/1Min	
耐压		
机械性能	-40℃~+105℃	
温度范围	5.1kgf-cm/0.5Nm/4.43Lbin	
扭矩		

认证/CERTIFICATION		
材质及电镀	M4.0, 钢镀金	
螺丝	铜合金, 镀金	
焊脚	PA66, UL94V-0	
塑件		
电气性能	UL	IEC
参考标准	300V	450V
额定电压	30A	32A
额定电流	22-10AWG	4.0mm ²
使用线径	20mΩ	
接触电阻	500MΩ/DC500V	
绝缘电阻	AC2000V/1Min	
耐压		
机械性能	-40℃~+105℃	
温度范围	12.24kgf-cm/1.2Nm/10.6Lbin	
扭矩		

认证/CERTIFICATION		
材质及电镀	M4.0, 钢镀金	
螺丝	铜合金, 镀金	
焊脚	PA66, UL94V-0	
塑件		
电气性能	UL	IEC
参考标准	300V	450V
额定电压	30A	32A
额定电流	22-10AWG	4.0mm ²
使用线径	20mΩ	
接触电阻	500MΩ/DC500V	
绝缘电阻	AC2000V/1Min	
耐压		
机械性能	-40℃~+105℃	
温度范围	12.24kgf-cm/1.2Nm/10.6Lbin	
扭矩		

认证/CERTIFICATION		
材质及电镀	M4.0, 钢镀金	
螺丝	铜合金, 镀金	
焊脚	PA66, UL94V-0	
塑件		
电气性能	UL	IEC
参考标准	300V	450V
额定电压	30A	32A
额定电流	22-10AWG	4.0mm ²
使用线径	20mΩ	
接触电阻	500MΩ/DC500V	
绝缘电阻	AC2000V/1Min	
耐压		
机械性能	-40℃~+105℃	
温度范围	12.24kgf-cm/1.2Nm/10.6Lbin	
扭矩		

MATERIAL		
Screw	M4.0 Steel Au plated	
Pin Herder	Copper alloy, Au Plated	
Housing	PA66, UL94V-0	
Standard	UL	IEC
Rated voltage	300V	450V
Rated current	20A	32A
Wire range	22-12AWG	4.0mm ²
Contact resistance	20mΩ	
Insulation resistance	500MΩ/DC500V	
Withstanding voltage	AC2000V/1Min	
Temp. range	-40℃~+105℃	
Torque	12.24kgf-cm/1.2Nm/10.6Lbin	

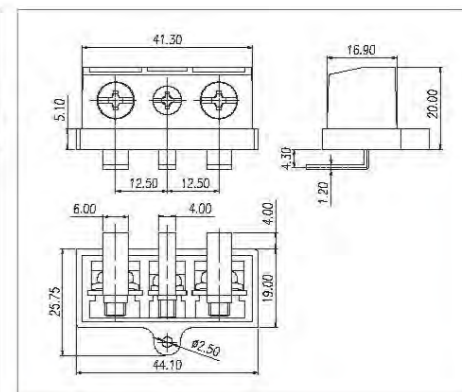
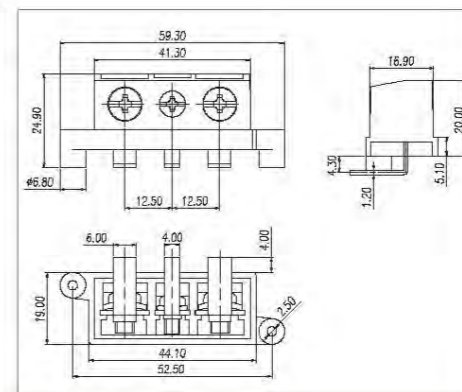
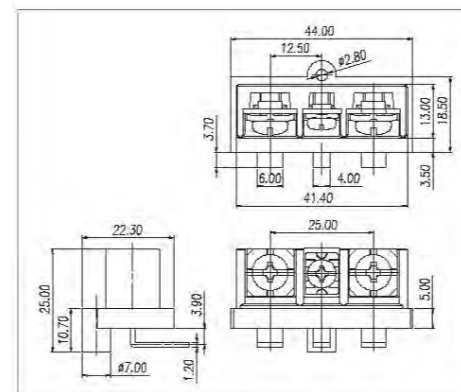
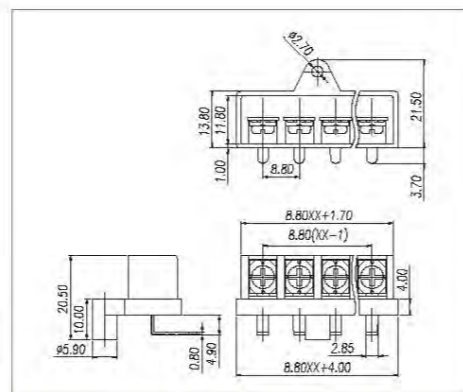
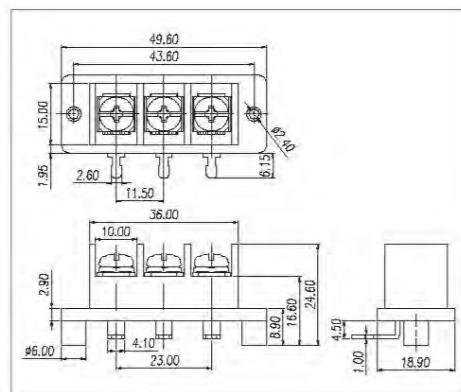
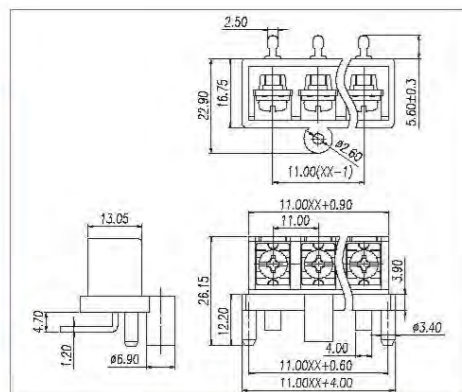
MATERIAL		
Screw	M4.0 Steel Au plated	
Pin Herder	Copper alloy, Au Plated	
Housing	PA66, UL94V-0	
Standard	UL	IEC
Rated voltage	300V	450V
Rated current	30A	35A
Wire range	22-12AWG	6.0mm ²
Contact resistance	20mΩ	
Insulation resistance	500MΩ/DC500V	
Withstanding voltage	AC2000V/1Min	
MECHANICAL	-40℃~+105℃	
Temp. range	12.24kgf-cm/1.2Nm/10.6Lbin	
Torque		

MATERIAL		
Screw	M3.0 Steel Au plated	
Pin Herder	Copper alloy, Au Plated	
Housing	PA66, UL94V-0	
Standard	UL	IEC
Rated voltage	300V	450V
Rated current	15A	24A
Wire range	22-14AWG	2.5mm ²
Contact resistance	20mΩ	
Insulation resistance	500MΩ/DC500V	
Withstanding voltage	AC2000V/1Min	
MECHANICAL	-40℃~+105℃	
Temp. range	5.1kgf-cm/0.5Nm/4.43Lbin	
Torque		

MATERIAL		
Screw	M4.0 Steel Au plated	
Pin Herder	Copper alloy, Au Plated	
Housing	PA66, UL94V-0	
Standard	UL	IEC
Rated voltage	300V	450V
Rated current	30A	32A
Wire range	22-10AWG	4.0mm ²
Contact resistance	20mΩ	
Insulation resistance	500MΩ/DC500V	
Withstanding voltage	AC2000V/1Min	
Temp. range	-40℃~+105℃	
Torque	12.24kgf-cm/1.2Nm/10.6Lbin	

MATERIAL		
Screw	M4.0 Steel Au plated	
Pin Herder	Copper alloy, Au Plated	
Housing	PA66, UL94V-0	
Standard	UL	IEC
Rated voltage	300V	450V
Rated current	30A	32A
Wire range	22-10AWG	4.0mm ²
Contact resistance	20mΩ	
Insulation resistance	500MΩ/DC500V	
Withstanding voltage	AC2000V/1Min	
MECHANICAL	-40℃~+105℃	
Temp. range	12.24kgf-cm/1.2Nm/10.6Lbin	
Torque		

MATERIAL		
Screw	M4.0 Steel Au plated	
Pin Herder	Copper alloy, Au Plated	
Housing	PA66, UL94V-0	
Standard	UL	IEC
Rated voltage	300V	450V
Rated current	30A	32A
Wire range	22-10AWG	4.0mm ²
Contact resistance	20mΩ	
Insulation resistance	500MΩ/DC500V	
Withstanding voltage	AC2000V/1Min	
MECHANICAL	-40℃~+105℃	
Temp. range	12.24kgf-cm/1.2Nm/10.6Lbin	
Torque		





Pitch:11.0mm

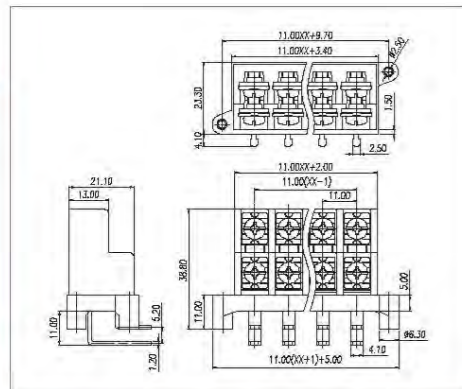
MODEL: EM-21

认证/CERTIFICATION

材质及电镀	M4.0, 铜镀金	
螺丝	铜合金, 镀金	
焊脚	PA66, UL94V-0	
塑件	PA66, UL94V-0	
电气性能	UL	IEC
参考标准	300V	450V
额定电压	30A	32A
额定电流	22~10AWG	4.0mm ²
使用线径	20mΩ	
接触电阻	500MΩ/DC500V	
绝缘电阻	AC2000V/1Min	
耐电压	-40℃~+105℃	
机械性能	12.24kgf-cm/1.2Nm/10.6Lbin	
温度范围		
扭矩		

MATERIAL	M4.0 Steel Au plated	
Screw	Copper alloy, Au Plated	
Pin Herder	PA66, UL94V-0	
Housing	PA66, UL94V-0	

ELECTRICAL	UL	IEC
Standard	300V	450V
Rated voltage	30A	32A
Rated current	22~10AWG	4.0mm ²
Wire range	20mΩ	
Contact resistance	500MΩ/DC500V	
Insulation resistance	AC2000V/1Min	
Withstanding voltage	-40℃~+105℃	
MECHANICAL	12.24kgf-cm/1.2Nm/10.8Lbin	
Temp. range		
Torque		

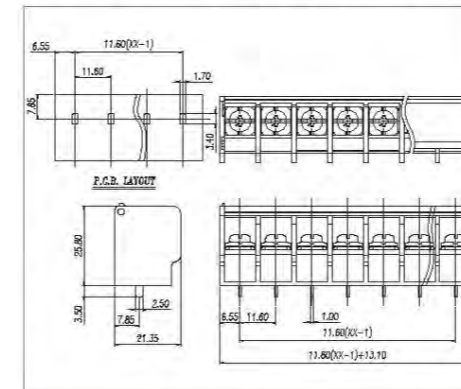


Pitch:11.6mm

WJ901-11.6

UL/CUL 技术参数	UL/CUL Technical Data			
等级	Use Group	B	C	D
额定电压	Rated Voltage [V]	600	600	600
额定电流	Rated Current [A]	30	30	5
接线范围	单芯线 Solid [AWG]	22~10		
	多芯线 Stranded [AWG]	22~10		
耐电压	Dielectric Voltage-Withstand	2.2KV		
IEC 技术参数	IEC Technical Data			
过电压类别	Overvoltage Category	II	II	II
污染等级	Contamination Class	3	2	2
额定电压	Rated Voltage [V]	800	1000	1000
额定电流	Rated Current [A]	41	41	41
额定冲击电压	Impulse withstand voltage [KV]	8	8	8
导线截面积	硬质导线 Solid [mm ²]	6.0		
	柔性导线 Flexible [mm ²]	6.0		

材料	Material		
绝缘材料	Insulation Material	PBT	
阻燃等级	Flame retardant rating	UL94V-0	
导体材料	Conductor Material	Copper alloy	
导体表面镀层	Plating of conductor surface	Sn plated	
一般参数	Other Data		
间距/极数	Pitch/Poles [mm]/[P]	11.6/3,5,7,9,11,13	
剥线长度	Stripping Length [mm]	10~13	
螺丝/扭矩	Screw/Torque(Max) [N.m]	M4/1.2	
工作温度	Operating temperature [°C]	-40~+130	
焊锡温度	Soldering temperature	260°C /5S	
引针尺寸	Pin dimensions [mm]	1.0*2.5	
PCB板孔径	PCB Hole Diameter [mm]	1.7*3.4	

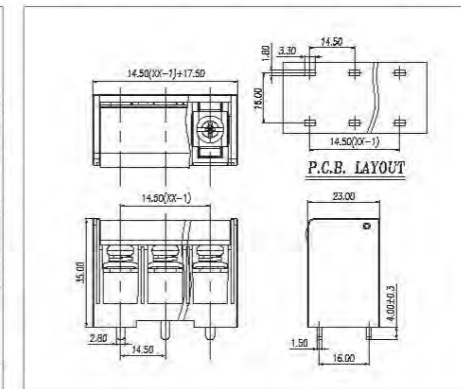


Pitch:14.5mm

WJ902-14.5

UL/CUL 技术参数	UL/CUL Technical Data			
等级	Use Group	B	C	D
额定电压	Rated Voltage [V]	600	600	800
额定电流	Rated Current [A]	50	50	5
接线范围	单芯线 Solid [AWG]	22~8		
	多芯线 Stranded [AWG]	22~8		
耐电压	Dielectric Voltage-Withstand	2.2KV		
IEC 技术参数	IEC Technical Data			
过电压类别	Overvoltage Category	II	II	II
污染等级	Contamination Class	3	2	2
额定电压	Rated Voltage [V]	630	1000	1000
额定电流	Rated Current [A]	76	76	76
额定冲击电压	Impulse withstand voltage [KV]	6	6	6
导线截面积	硬质导线 Solid [mm ²]	0.5~16.0		
	柔性导线 Flexible [mm ²]	0.5~16.0		

材料	Material		
绝缘材料	Insulation Material	PBT	
阻燃等级	Flame retardant rating	UL94V-0	
导体材料	Conductor Material	Copper alloy	
导体表面镀层	Plating of conductor surface	Sn plated	
一般参数	Other Data		
间距/极数	Pitch/Poles [mm]/[P]	14.5/2~14	
剥线长度	Stripping Length [mm]	13	
螺丝/扭矩	Screw/Torque(Max) [N.m]	M5/2.0	
工作温度	Operating temperature [°C]	-30~+120	
焊锡温度	Soldering temperature	260°C /5S	
引针尺寸	Pin dimensions [mm]	1.5*2.8	
PCB板孔径	PCB Hole Diameter [mm]	1.8*3.3	

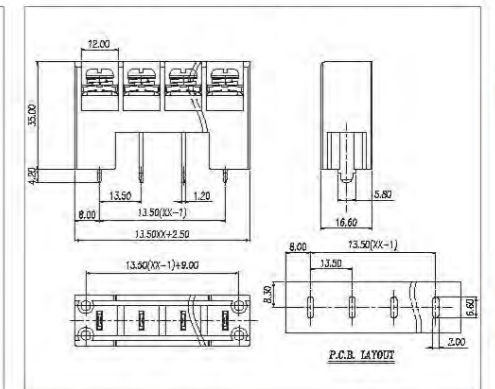


Pitch:13.5mm

WJ903-13.5

UL/CUL 技术参数	UL/CUL Technical Data			
等级	Use Group	B	C	D
额定电压	Rated Voltage [V]	300	300	300
额定电流	Rated Current [A]	20	20	10
接线范围	单芯线 Solid [AWG]	26~12		
	多芯线 Stranded [AWG]	26~12		
耐电压	Dielectric Voltage-Withstand	1.6KV		
IEC 技术参数	IEC Technical Data			
过电压类别	Overvoltage Category	II	II	II
污染等级	Contamination Class	3	2	2
额定电压	Rated Voltage [V]			
额定电流	Rated Current [A]			
额定冲击电压	Impulse withstand voltage [KV]			
导线截面积	硬质导线 Solid [mm ²]			
	柔性导线 Flexible [mm ²]			

材料	Material		
绝缘材料	Insulation Material	PBT	
阻燃等级	Flame retardant rating	UL94V-0	
导体材料	Conductor Material	Copper alloy	
导体表面镀层	Plating of conductor surface	Sn plated	
一般参数	Other Data		
间距/极数	Pitch/Poles [mm]/[P]	13.5/3~14	
剥线长度	Stripping Length [mm]	10~13	
螺丝/扭矩	Screw/Torque(Max) [N.m]	M5/2.0	
工作温度	Operating temperature [°C]	-30~+120	
焊锡温度	Soldering temperature	260°C /5S	
引针尺寸	Pin dimensions [mm]	1.2*5.8	
PCB板孔径	PCB Hole Diameter [mm]	2.0*6.6	

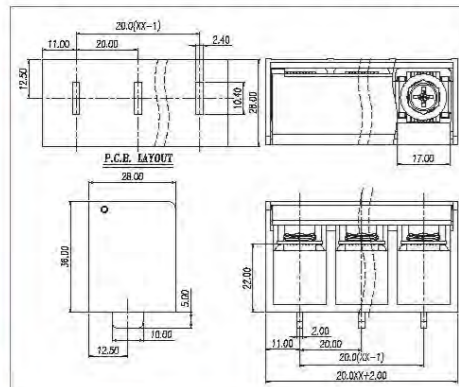




Pitch: 20.0mm

WJ904-20.0

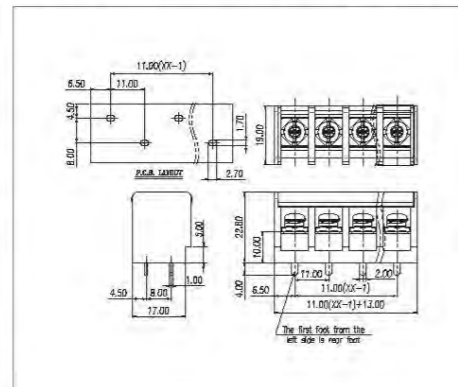
UL/CUL 技术参数 UL/CUL Technical Data			
等级 Use Group	B C D		
额定电压 Rated Voltage [V]	600 600 600		
额定电流 Rated Current [A]	85 85 5		
接线范围 Wire Range	单芯线 Solid [AWG]	26~4	
	多芯线 Stranded [AWG]	26~4	
耐电压 Dielectric Voltage-Withstand	2.2KV		
IEC 技术参数 IEC Technical Data			
过电压类别 Overvoltage Category	III IIII IIII		
污染等级 Contamination Class	3 2 2		
额定电压 Rated Voltage [V]	800 1000 1000		
额定电流 Rated Current [A]	76 76 76		
额定冲击电压 Impulse withstand voltage [KV]	8 8 8		
导线截面积 Conductor cross section	硬质导线 Solid [mm ²]	0.2~16.0	
	柔性导线 Flexible [mm ²]	0.2~16.0	
材料 Material			
绝缘材料 Insulation Material	PBT		
阻燃等级 Flame retardant rating	UL94V-0		
导体材料 Conductor Material	Copper alloy		
导体表面镀层 Plating of conductor surface	Sn plated		
一般参数 Other Data			
间距/极数 Pitch/Poles [mm]/[P]	20.0/2~12		
剥线长度 Stripping Length [mm]	16		
螺丝/扭矩 Screw/Torque(Max) [N.m]	M6/2.5		
工作温度 Operating temperature [°C]	-30~+120		
焊锡温度 Soldering temperature	260°C /5S		
引针尺寸 Pin dimensions [mm]	2.0*10.0		
PCB板孔径 PCB Hole Diameter [mm]	2.4*10.4		



Pitch: 11.0mm

WJ907-11.0

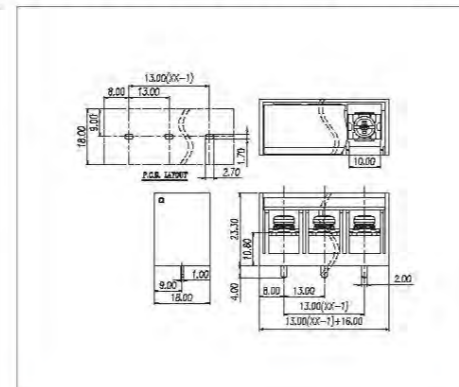
UL/CUL 技术参数 UL/CUL Technical Data			
等级 Use Group	B C D		
额定电压 Rated Voltage [V]	600 600 600		
额定电流 Rated Current [A]	30 30 5		
接线范围 Wire Range	单芯线 Solid [AWG]	18~10	
	多芯线 Stranded [AWG]	18~10	
耐电压 Dielectric Voltage-Withstand	2.2KV		
IEC 技术参数 IEC Technical Data			
过电压类别 Overvoltage Category	III IIII IIII		
污染等级 Contamination Class	3 2 2		
额定电压 Rated Voltage [V]	800 800 1000		
额定电流 Rated Current [A]	41 41 41		
额定冲击电压 Impulse withstand voltage [KV]	8 8 8		
导线截面积 Conductor cross section	硬质导线 Solid [mm ²]	2.5	
	柔性导线 Flexible [mm ²]	2.5	
材料 Material			
绝缘材料 Insulation Material	PBT		
阻燃等级 Flame retardant rating	UL94V-0		
导体材料 Conductor Material	Copper alloy		
导体表面镀层 Plating of conductor surface	Sn plated		
一般参数 Other Data			
间距/极数 Pitch/Poles [mm]/[P]	11.0/2~20		
剥线长度 Stripping Length [mm]	10~13		
螺丝/扭矩 Screw/Torque(Max) [N.m]	M4/1.2		
工作温度 Operating temperature [°C]	-30~+120		
焊锡温度 Soldering temperature	260°C /5S		
引针尺寸 Pin dimensions [mm]	1.0*2.0		
PCB板孔径 PCB Hole Diameter [mm]	1.7*2.7		



Pitch: 13.0mm

WJ908-13.0

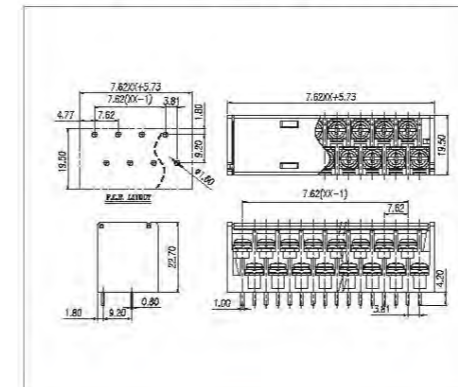
UL/CUL 技术参数 UL/CUL Technical Data			
等级 Use Group	B C D		
额定电压 Rated Voltage [V]	600 600 600		
额定电流 Rated Current [A]	40 40 5		
接线范围 Wire Range	单芯线 Solid [AWG]	22~8	
	多芯线 Stranded [AWG]	22~8	
耐电压 Dielectric Voltage-Withstand	2.2KV		
IEC 技术参数 IEC Technical Data			
过电压类别 Overvoltage Category	III IIII IIII		
污染等级 Contamination Class	3 2 2		
额定电压 Rated Voltage [V]	800 800 1000		
额定电流 Rated Current [A]	40 40 40		
额定冲击电压 Impulse withstand voltage [KV]	8 8 8		
导线截面积 Conductor cross section	硬质导线 Solid [mm ²]	6	
	柔性导线 Flexible [mm ²]	6	
材料 Material			
绝缘材料 Insulation Material	PBT		
阻燃等级 Flame retardant rating	UL94V-0		
导体材料 Conductor Material	Copper alloy		
导体表面镀层 Plating of conductor surface	Sn plated		
一般参数 Other Data			
间距/极数 Pitch/Poles [mm]/[P]	13.0/2~18		
剥线长度 Stripping Length [mm]	10~11		
螺丝/扭矩 Screw/Torque(Max) [N.m]	M4/1.2		
工作温度 Operating temperature [°C]	-30~+120		
焊锡温度 Soldering temperature	260°C /5S		
引针尺寸 Pin dimensions [mm]	1.0*2.0		
PCB板孔径 PCB Hole Diameter [mm]	1.7*2.7		



Pitch: 7.62mm

WJ909T-7.62

UL/CUL 技术参数 UL/CUL Technical Data			
等级 Use Group	B C D		
额定电压 Rated Voltage [V]	300 / 300		
额定电流 Rated Current [A]	15 / 10		
接线范围 Wire Range	单芯线 Solid [AWG]	22~14	
	多芯线 Stranded [AWG]	22~14	
耐电压 Dielectric Voltage-Withstand	2.2KV		
IEC 技术参数 IEC Technical Data			
过电压类别 Overvoltage Category			
污染等级 Contamination Class			
额定电压 Rated Voltage [V]			
额定电流 Rated Current [A]			
额定冲击电压 Impulse withstand voltage [KV]			
导线截面积 Conductor cross section	硬质导线 Solid [mm ²]		
	柔性导线 Flexible [mm ²]		
材料 Material			
绝缘材料 Insulation Material	PBT		
阻燃等级 Flame retardant rating	UL94V-0		
导体材料 Conductor Material	Copper alloy		
导体表面镀层 Plating of conductor surface	Sn plated		
一般参数 Other Data			
间距/极数 Pitch/Poles [mm]/[P]	7.62/2*03~2*24		
剥线长度 Stripping Length [mm]	7~8		
螺丝/扭矩 Screw/Torque(Max) [N.m]	M3/0.5		
工作温度 Operating temperature [°C]	-30~+120		
焊锡温度 Soldering temperature	260°C /5S		
引针尺寸 Pin dimensions [mm]	0.8*1.0		
PCB板孔径 PCB Hole Diameter [mm]	Ø1.6		





Pitch: 12.5mm

MODEL:FMDT-OTA-02P



Pitch: 17.5mm

MODEL:FMDT-OTA-03P



Pitch:22.5mm

MODEL:FMDT-OTA-04P



Pitch: 45.0mm

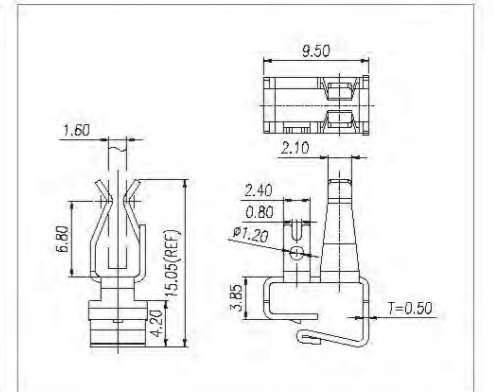
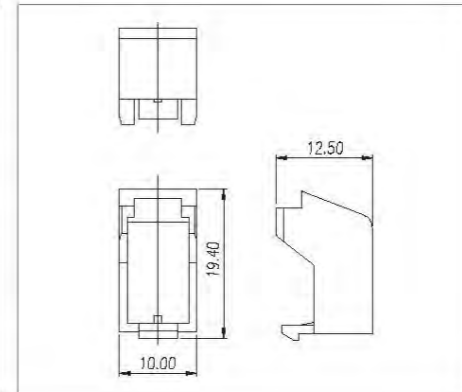
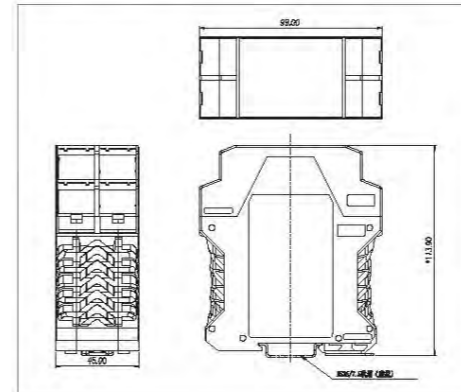
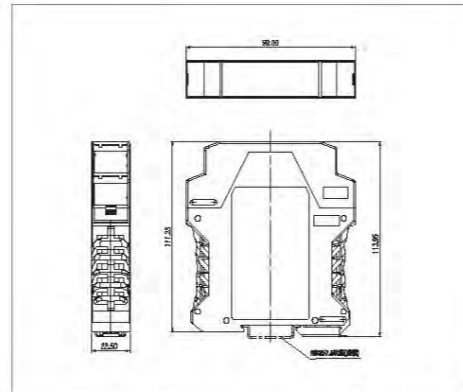
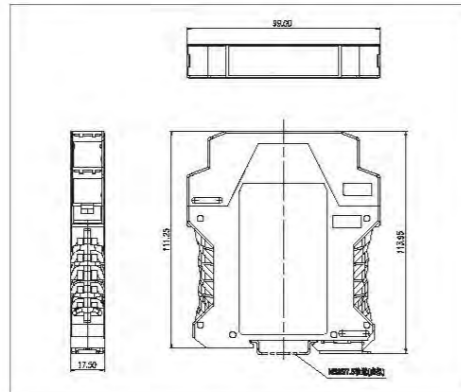
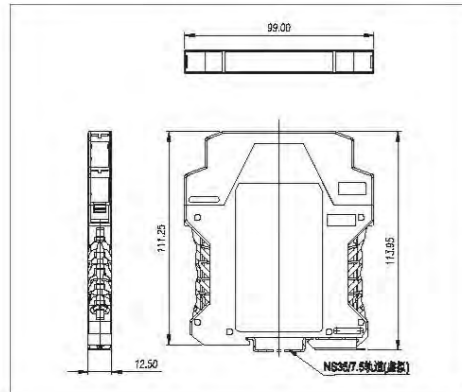
MODEL:FMDT-CTA-08P



MODEL:FMDT-02P-FCG



FMDT-JDJZ-001



Pitch: 35.0mm

MODEL:FMDT-OTA-06P



Pitch: 45.0mm

MODEL:FMDT-OTA-08P



Pitch:22.5mm

MODEL:FMDT-CTA-04P



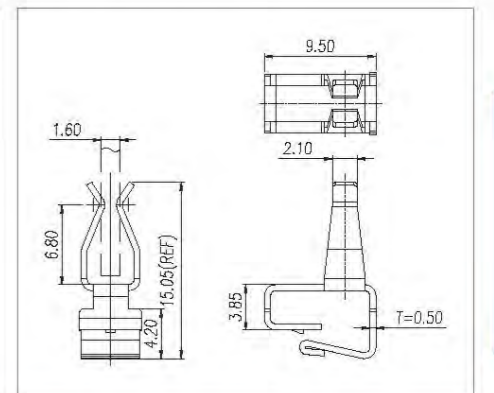
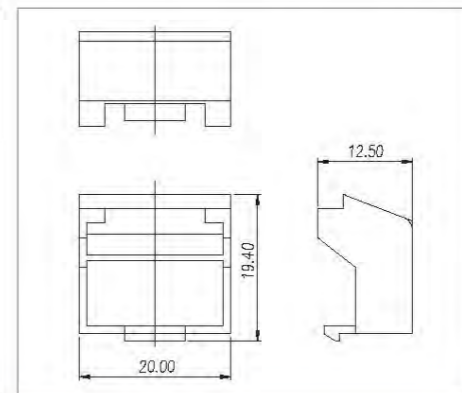
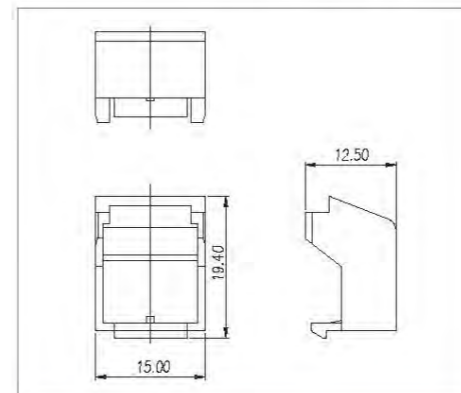
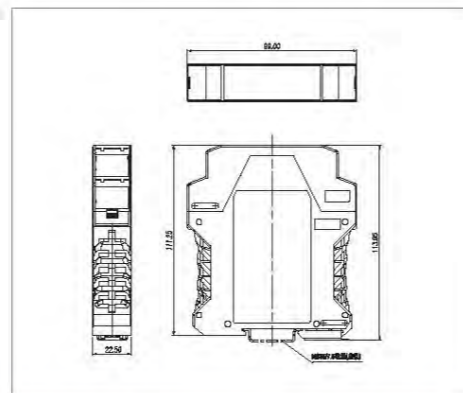
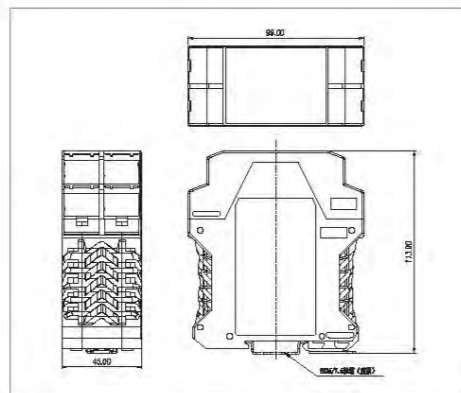
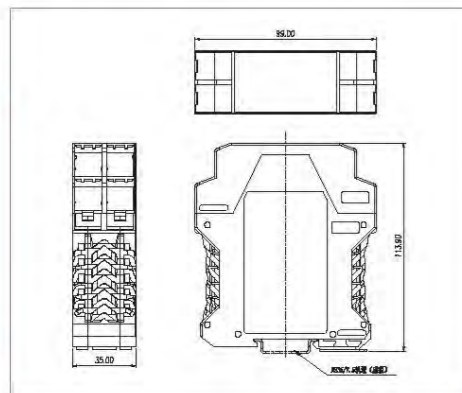
MODEL:FMDT-03P-FCG



MODEL:FMDT-04P-FCG



FMDT-JDJZ-002





MODEL: WJET-10



MODEL: WJET-25



MODEL: WJK01



MODEL: WJK02



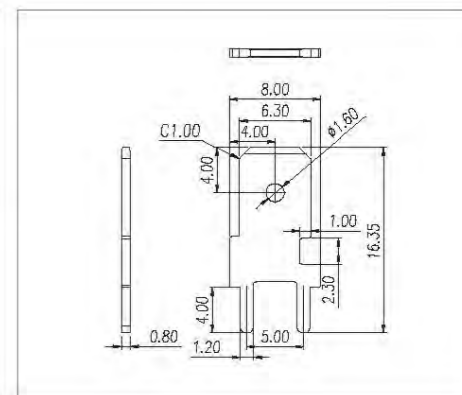
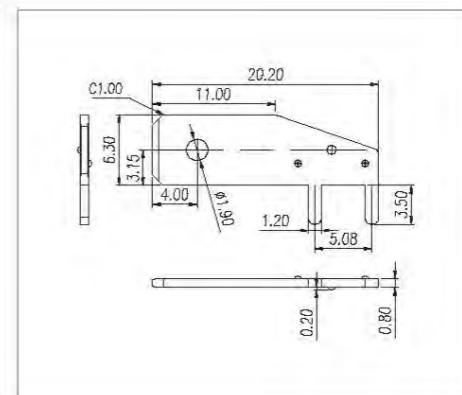
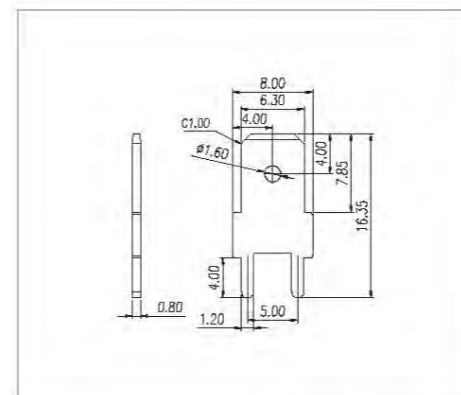
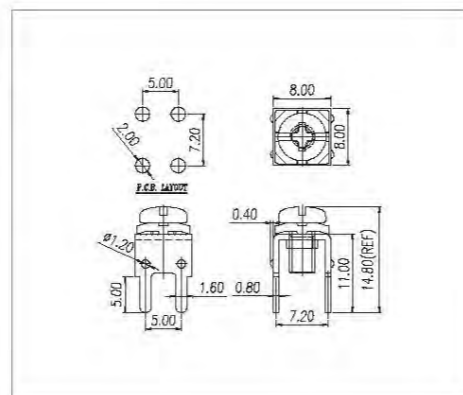
MODEL: WJK03



MODEL: WJK04

认证/CERTIFICATION	
材质及电镀 焊脚 塑件	铜合金, 镀锡 PA66, UL94V-2
电气性能 参考标准	IEC
额定电压	400V
额定电流	10A
使用线径	0.5-1.0 mm ²
接触电阻	20mΩ
绝缘电阻	500MΩ/DC500V
耐电压	AC2000V/1Min
机械性能 温度范围	-40℃~+105℃

认证/CERTIFICATION	
材质及电镀 焊脚 塑件	铜合金, 镀锡 PA66, UL94V-2
电气性能 参考标准	IEC
额定电压	400V
额定电流	10A
使用线径	1.25-2.5 mm ²
接触电阻	20mΩ
绝缘电阻	500MΩ/DC500V
耐电压	AC2000V/1Min
机械性能 温度范围	-40℃~+105℃



MATERIAL	
Pin Header Housing	Copper alloy, Sn Plated PA66, UL94V-2
ELECTRICAL Standard	IEC
Rated voltage	400V
Rated current	10A
Wire range	0.5-1.0 mm ²
Contact resistance	20mΩ
Insulation resistance	500MΩ/DC500V
Withstanding voltage	AC2000V/1Min
MECHANICAL Temp. range	-40℃~+105℃

MATERIAL	
Pin Header Housing	Copper alloy, Sn Plated PA66, UL94V-2
ELECTRICAL Standard	IEC
Rated voltage	400V
Rated current	10A
Wire range	1.25-2.5 mm ²
Contact resistance	20mΩ
Insulation resistance	500MΩ/DC500V
Withstanding voltage	AC2000V/1Min
MECHANICAL Temp. range	-40℃~+105℃



MODEL: WJK05



MODEL: WJK06



MODEL: WJK22



MODEL: WJK23

