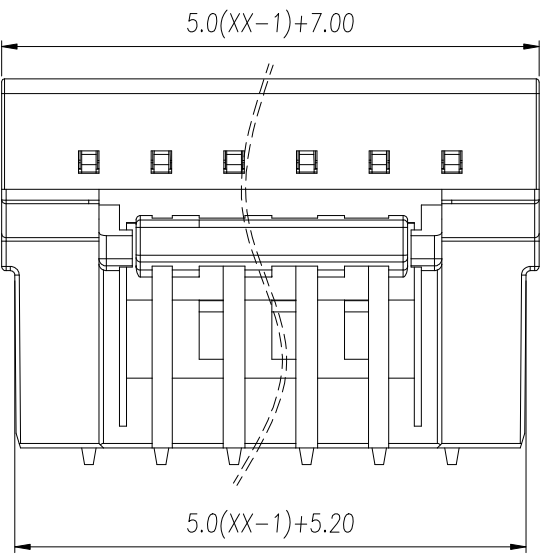
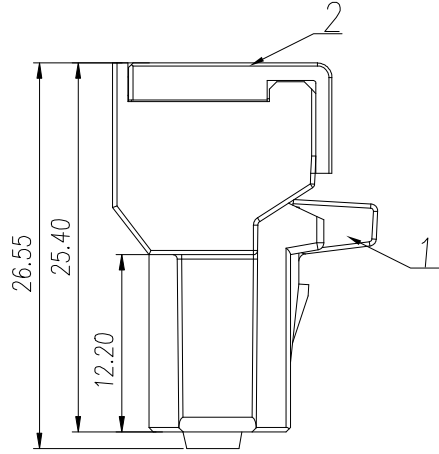
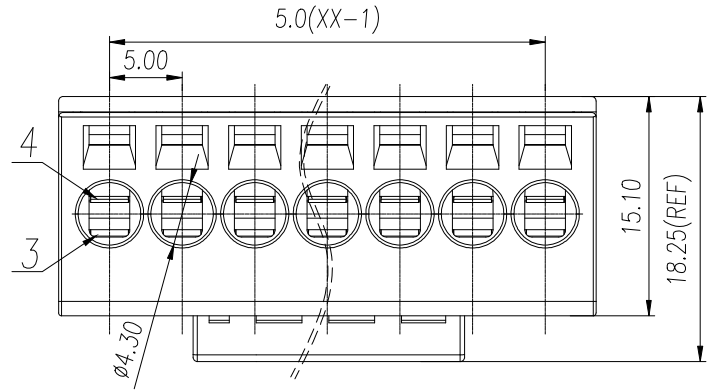


Transfer or duplication of this document as well as the utilization or communication of its contents are prohibited unless explicit authorization is granted. Violations will be liable for compensation. All rights reserved for patent, utility model or designs registrations. 除非给予明确授权，否则禁止转让、复制、利用、交流本文件的内容。侵犯者将承担法律责任。我司保留对涉及发明、实用新型和外观设计的所有权利。

1 2 3 4 5 6

REVISION RECORD				
REV.	DESCRIPTION	ECN No.	APPROVED	DATE
V0	新发行		YuCZ	23.08.14



UL/CUL 技术参数				
UL/CUL Technical Data				
等级	Use Group	B	C	D
额定电压	Rated Voltage [V]	300	/	300
额定电流	Rated Current [A]	16	/	10
接线范围	Wire Range	28-12		
单/多芯线	Solid/Stranded [AWG]			
耐电压	Withstanding Voltage	1600V/1Min		
IEC 技术参数				
IEC Technical Data				
过电压类别	Overvoltage Category	III	III	II
污染等级	Contamination Class	3	2	2
额定电压	Rated Voltage [V]	160	160	320
额定电流	Rated Current [A]	20	20	20
额定冲击电压	Impulse withstand voltage [KV]	4.0	4.0	4.0
导线截面积	Conductor cross section	0.2-2.5		
硬质/柔性导线	Solid/flexible [mm ²]			
一般参数 Other Data				
间距	Pitch / 极数 Poles [mm] / [P]	5.0/02P、04P-14P		
剥线长度	Stripping Length [mm]	7~8		
工作温度	Operating temperature [°C]	-40~105		
符合RoHS环保要求				
4	Clamp	Copper Alloy	Au Plated Area	
3	Spring	Stainless steel		
2	Cover	PA66	UL94V-0	
1	Housing	PA66	UL94V-0	
ITEM	NAME OF PART	MATERIAL	NOTES	

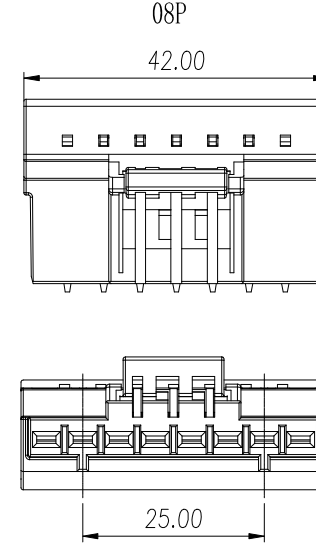
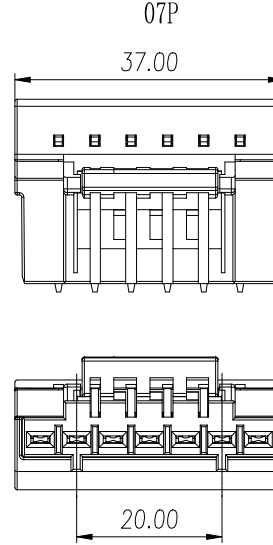
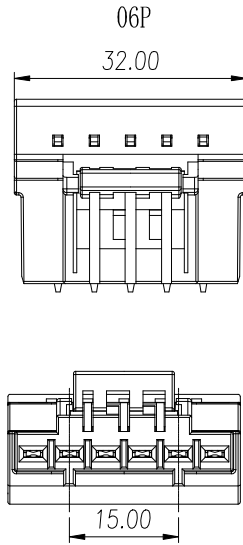
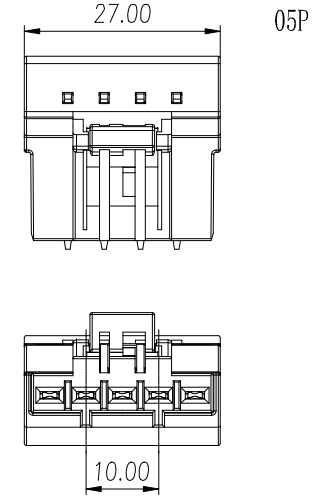
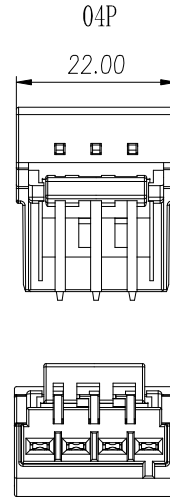
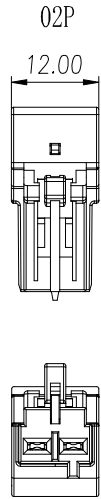
General Tolerances										
variable range	to 6	over 6 to 10	over 10 to 30	over 30 to 60	over 60 to 100	over 100 to 160	to 10	over 10 to 100	over 100 to	
tolerance	±0.20	±0.30	±0.50	±0.70	±1.00	±1.30	±1.60	0.10	0.30	0.60

DES.	YuCZ	DATE	23.08.14	UNITS	mm	THIRD ANGLE PROJECTION	
CHK.	YangHJ	DATE	23.08.14	SIZE	A4	TYPE: CUSTOMER DRAWING	SHEET 1 of 3
APP.	JASON	DATE	23.08.14	SCALE	2:1	DRAWING TYPE: SP-03	REV V0
慈溪市万捷电子有限公司 CIXI WANJIE ELECTRONIC CO., LTD						PART NO.: WJ9KS-5.0-XXP-1Y-00A	

1 2 3 4 5 6 FOR-0371 Rev.1.0

Transfer or duplication of this document as well as the utilization or communication of its contents are prohibited unless explicit authorization is granted. Violations will be liable for compensation. All rights reserved for patent, utility model, or designs registrations. 除非给予明确授权，否则禁止转让、复制、利用、交流本文件的内容。侵犯者将负法律责任。本公司保留对涉及发明、实用新型和外观设计的所有权利。

REVISION RECORD				
REV.	DESCRIPTION	ECN No.	APPROVED	DATE
0	新发行		YuCZ	23.08.14



General Tolerances

variable range	—							∕		⊥	
	to 6	over 6 to 10	over 10 to 30	over 30 to 60	over 60 to 100	over 100 to 160	over 160 to 10	over 10 to 100	over 100 to 0.10	0.30	0.60
tolerance	±0.20	±0.30	±0.50	±0.70	±1.00	±1.30	±1.60	0.10	0.30	0.60	

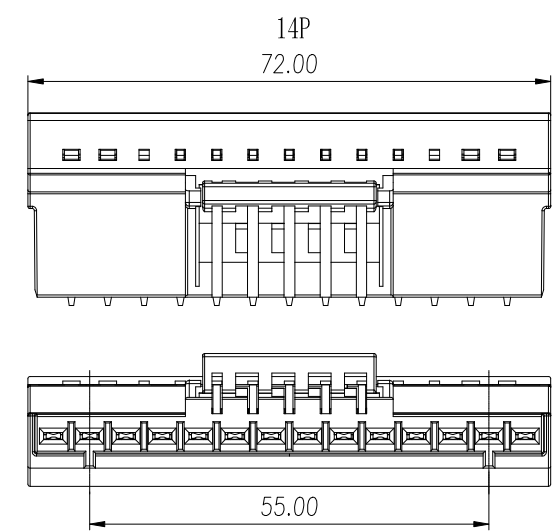
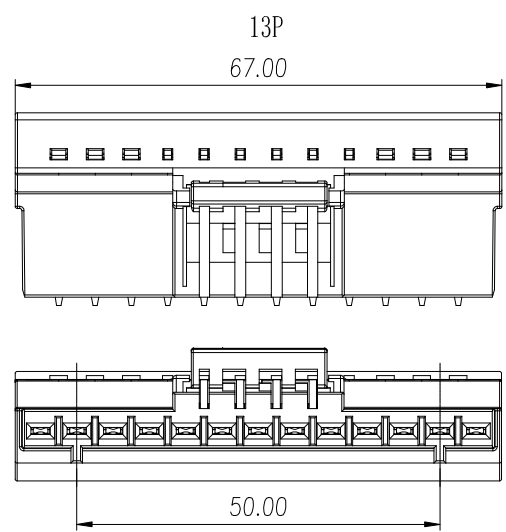
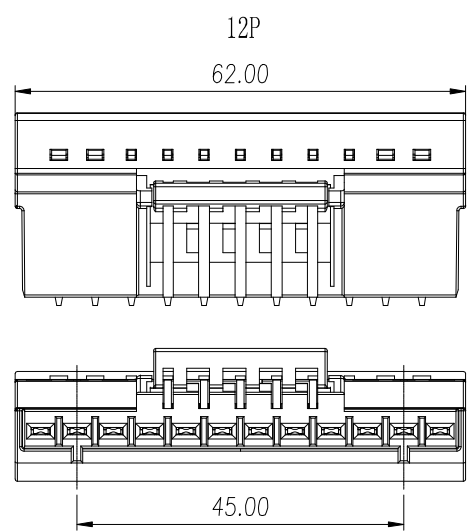
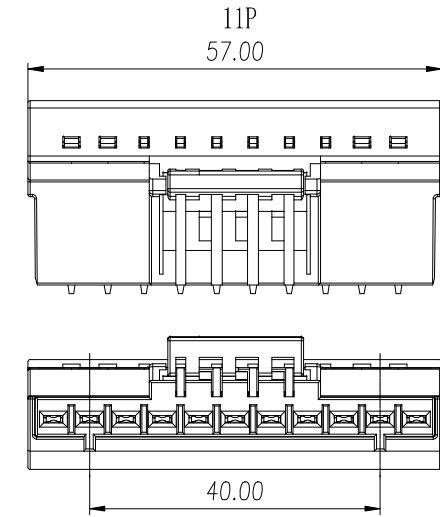
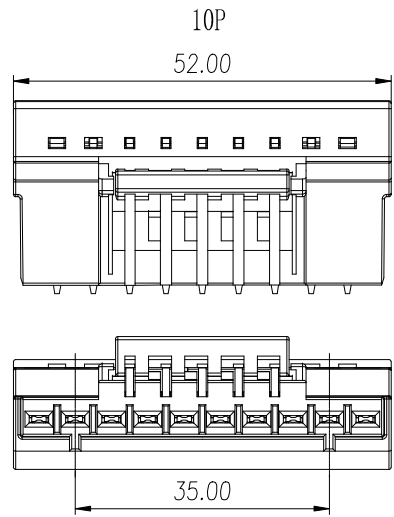
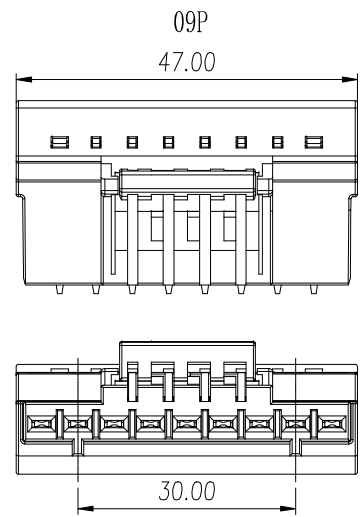
DES.	YuCZ	DATE	23.08.14	UNITS	mm	THIRD ANGLE PROJECTION	
CHK.	YangHJ	DATE	23.08.14	SIZE	A4	TYPE: CUSTOMER DRAWING	SHEET 2 of 3
APP.	JASON	DATE	23.08.14	SCALE	1:1	DRAWING TYPE: SP-03	REV 0

慈溪市万捷电子有限公司
CIXI WANJIE ELECTRONIC CO., LTD

PART NO.:
WJ9KS-5.0-XXP-1Y-00A

Transfer or duplication of this document as well as the utilization or communication of its contents are prohibited unless explicit authorization is granted. Violations will be liable for compensation. All rights reserved for patent, utility model, or designs registrations. 除非给予明确授权，否则禁止转让、复制、利用、交流本文件的内容，侵犯者将负法律责任。本公司保留对涉及发明、实用新型和外观设计的所有权利。

REVISION RECORD				
REV.	DESCRIPTION	ECN No.	APPROVED	DATE
0	新发行		YuCZ	23.08.14



General Tolerances

variable range	General Tolerances							Surface Finish			
	to 6	over 6 to 10	over 10 to 30	over 30 to 60	over 60 to 100	over 100 to 160	over 160 to 10	over 10 to 100	over 100 to 0.10	over 0.10 to 0.30	over 0.30 to 0.60
tolerance	±0.20	±0.30	±0.50	±0.70	±1.00	±1.30	±1.60	0.10	0.30	0.60	

DES.	YuCZ	DATE	23.08.14	UNITS	mm	THIRD ANGLE PROJECTION	
CHK.	YangHJ	DATE	23.08.14	SIZE	A4	TYPE: CUSTOMER DRAWING	SHEET 3 of 3
APP.	JASON	DATE	23.08.14	SCALE	1:1	DRAWING TYPE: SP-03	REV 0

WANJIE 慈溪市万捷电子有限公司
CIXI WANJIE ELECTRONIC CO., LTD

PART NO.:
WJ9KS-5.0-XXP-1Y-00A

1 2 3 4 5 6

1 2 3 4 5 6